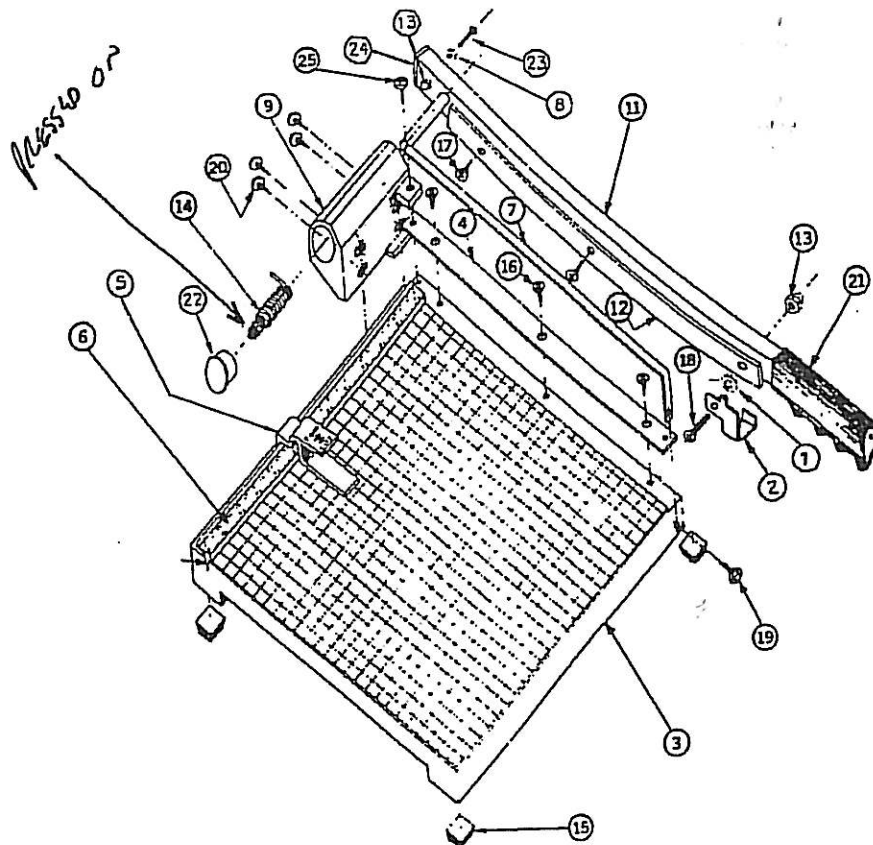


MADE BEFORE 2001

10/14/94

Wood Base Trimmer

SW



Model W12

- 1 M-O017642 Spacer
- 2 W-O017651 Trigger Latch
- 3 W-F010112 Wood Base
- 4 W-O010512 Bed Blade
- 5 M-O017728 Paper Stop
- 6 M-O017729 Ruler
- 7 W-O017730 Guard
- 8 M-S007009 10-32 Hex Nut B/O
- 9 W-O017500 Bearing
- 11 W-A017739 Blade/Handle Assy.
- 12 W-O175012 Curved Blade
- 13 M-S007010 10-32 Acorn Nut
- 14 M-S031061 Spring
- 15 M-S030021 Adhesive Bumper
- 16 M-S004063 8-18x5/8" F Hd Scr.
- 17 M-S001020 10-32x1/2" F Hd Scr.

- 18 M-S001148 10-32x7/8" Pan Hd Scr
- 19 M-S004065 8-18x1" Pan Hd Scr
- 20 M-S004067 8-18x1" Pan Hd Scr
- 21 M-S043013 Plastic Grip
- 22 M-S016011 Hole Plug 7/8"
- 23 M-S001149 10-32x1 1/8" Pan Hd Scr
- 24 M-S016010 Tube Plug
- 25 M-S004039 10x1 1/2" Rd Hd Scr

CARTON - M-5026012
 INSERT - M-5026013 - 1
 Model W15

Same as Model W12 except for:

- 3 W-F010115 Wood Base
- 4 W-O010615 Bed Blade
- 7 W-O017734 Guard
- 11 W-A017736 Blade/Handle Assy.
- 12 W-O017735 Curved Blade

Premier®

Division of

Martin Yale Industries, Inc.

251 Wedcor Avenue • Wabash, IN 46992

Phone (219) 563-0641 • Fax (219) 563-4575

Division

5/16

Wear Com

Ret: M20017512A

Rubber feet M503000
 screw (for) M500403

S037272

Circular

12 page
bearing

M0017512A 3/3

Issued 10/94