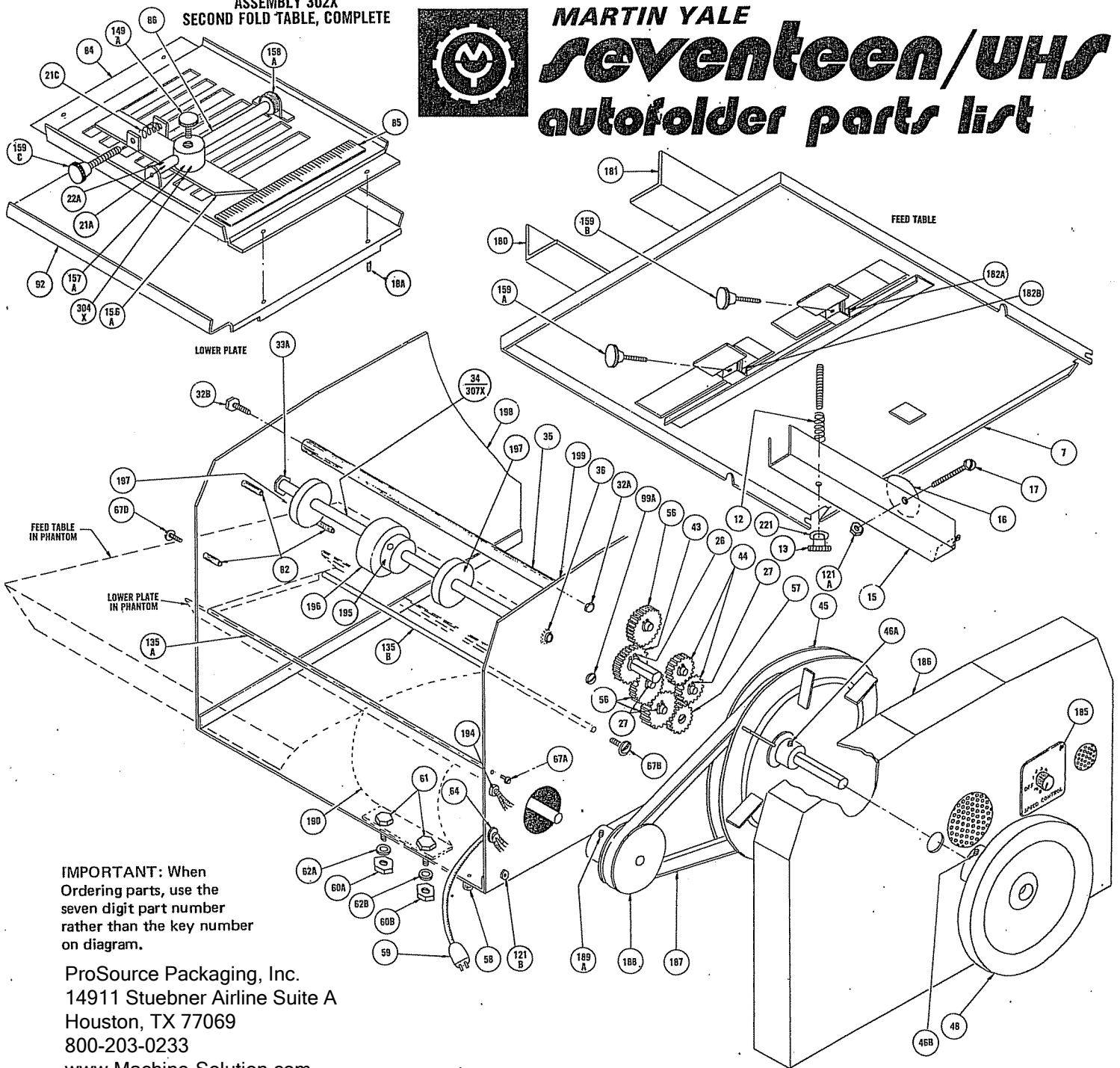


ASSEMBLY 302X
SECOND FOLD TABLE, COMPLETE



MARTIN YALE
seventeen/uhs
autofolder parts list

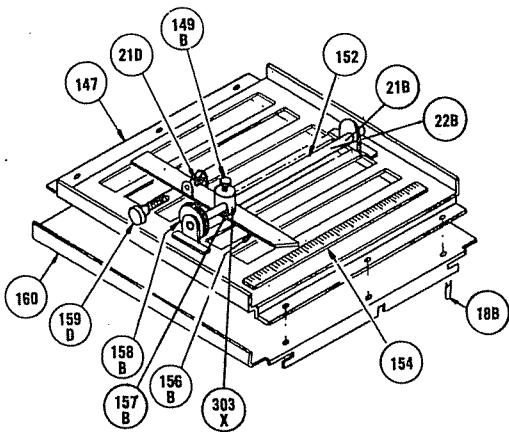


IMPORTANT: When Ordering parts, use the seven digit part number rather than the key number on diagram.

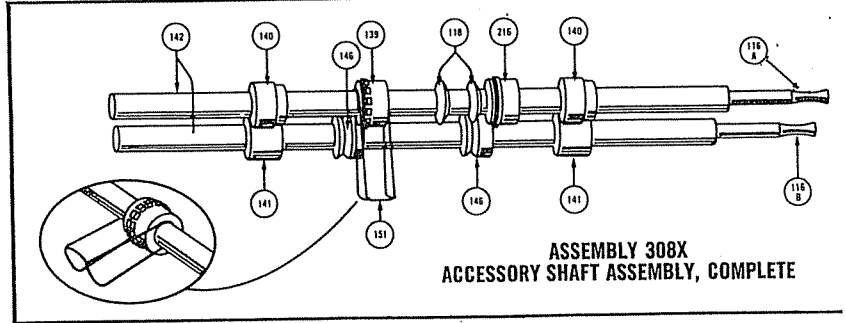
ProSource Packaging, Inc.
14911 Stuebner Airline Suite A
Houston, TX 77069
800-203-0233
www.Machine-Solution.com

Key	Description	Part No.	Key	Description	Part No.	Key	Description	Part No.
7	Feed Table Only	A008005	46 (A-B)	5/16 Set Screw	S002019	156 (A-B)	Top Adj. Bracket	0003073
12	Retarder Spring	S031031	48	Handwheel	0008095	157 (A-B)	Indicator Bar	A003072
13	Thumb Nut	S007018	56	Gear, 24T-3/8D	0003033	158 (A-B)	Fine Adj. Thumb Screw	0003081
15	Retarder Bracket	0035110	57	Gear, 18T-1/4D	0003036	159 (A-D)	Ang. Adj. Screw & Knob	S032023
16	Retarder Rubber	*0003116	58	Rubber Bumper	S030002	180	Paper Guide, Left	A08006L
17	10/32 Screw	S001021	59	Electrical Cord	S037001	181	Paper Guide, Right	A08006R
18 (A-B)	1/8 Rivet	S009003	60 (A-B)	5/16 Lock Washer	S008019	185	Speed Control Decal	S015024
21 (A-D)	Compression Spring	S031034	61	5/16 Hex Head Cap Screw	S003014	186	Cover, Right Side	A008002
22 (A-B)	Spring Pin	0003109	62 (A-B)	5/16 Washer	S008018	188	Motor Pulley	S022012
26	1/2 Retainer Ring	S010003	64	Strain Relief	S035001	189 (A-B)	1/4 Set Screw	S002015
27	3/8 Retainer Ring	S010002	67 (A-E)	10/32 Screw	S001023	190	Motor	S021009
32 (A-B)	1/4 Screw	S003004	82	Feed Table Pin	0003104	194	Strain Relief	S035010
33 (A-B)	1/4 IPS Nut	S007015	84	Second Fold Table, Upper	A008010	195	Feed Roller Hub	0008008
34	Feed Roller Shaft	003025A	85	Second Fold Table Ruler	0003097	196	Feed Roller Rubber	0008015
35	3/4 Tie Rod	0003066	86	Second Fold Table Shaft	0003069	197	Nylon Guide Roller	0008019
36	Nyliner	S014011	92	Second Fold Table, Lower	A008009	198	Main Frame, Left	0008004
43	Main Drive Gear, 24T-1/2 D	003034A	99 (A-D)	10/32 Screw	S001022	199	Main Frame, Right	0008003
44	Gear, 18T-3/8D	0003035	121 (A-D)	10/32 Nut	S007008	219	Terminal Block	S033015
45	9" Pulley	A008024	135 (A-D)	1/4 Tie Rod	0003065			
			149 (A-B)	10/32 Thumb Screw	S032017			

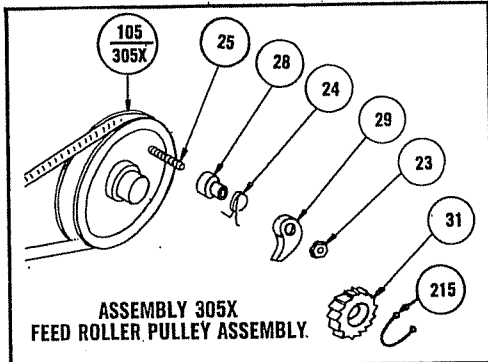
MARTIN YALE seventeen/UHS



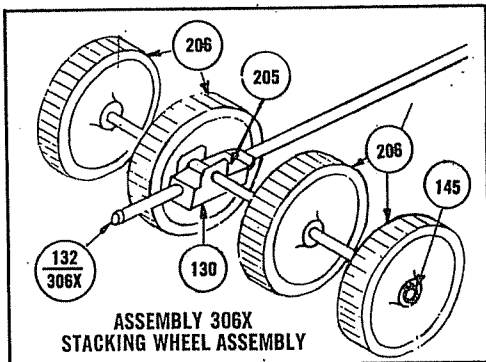
**ASSEMBLY 301X
FIRST FOLD TABLE, COMPLETE**



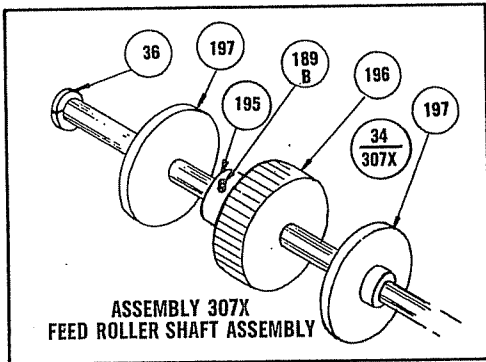
**ASSEMBLY 308X
ACCESSORY SHAFT ASSEMBLY, COMPLETE**



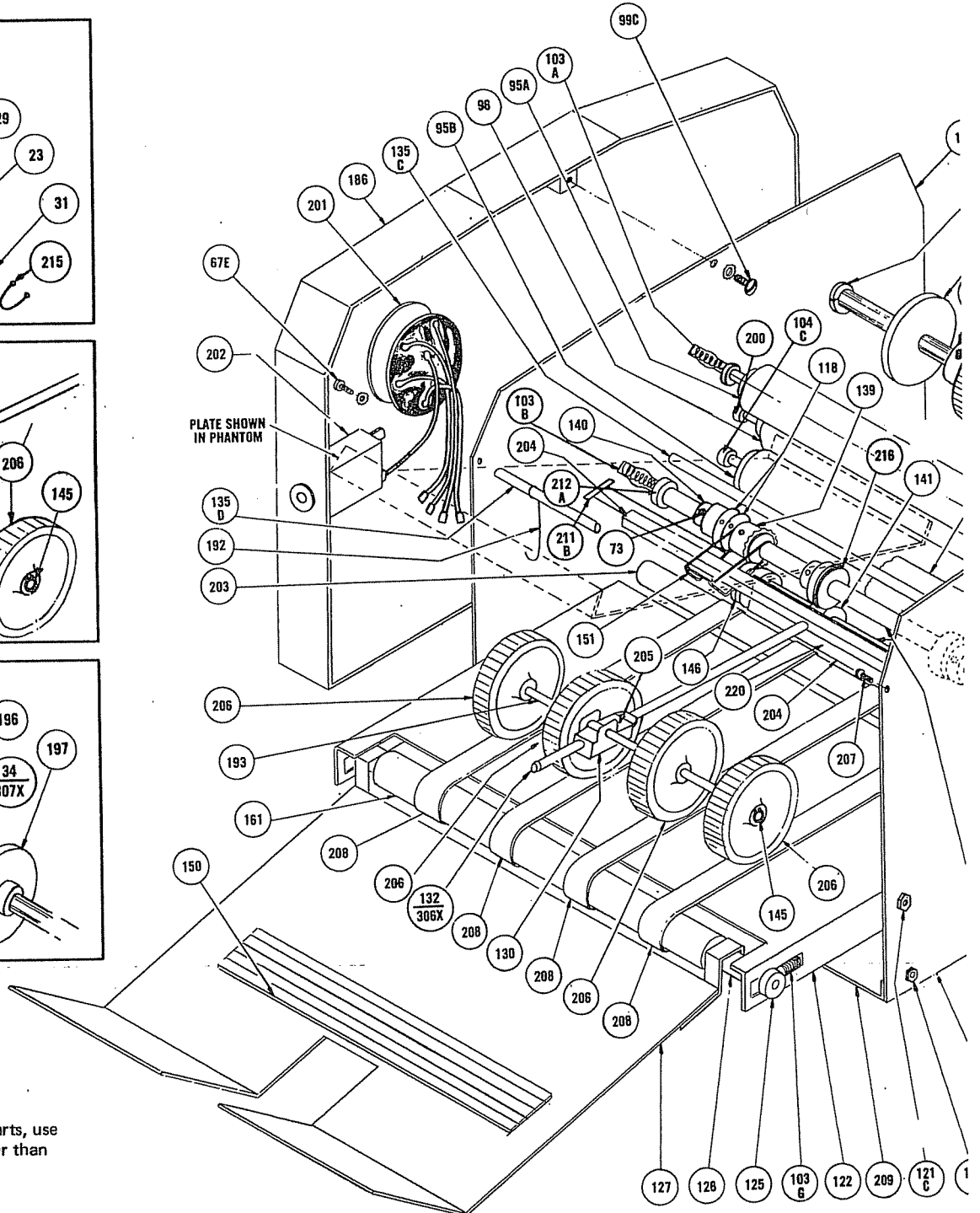
**ASSEMBLY 305X
FEED ROLLER PULLEY ASSEMBLY**



**ASSEMBLY 306X
STACKING WHEEL ASSEMBLY**



**ASSEMBLY 307X
FEED ROLLER SHAFT ASSEMBLY**



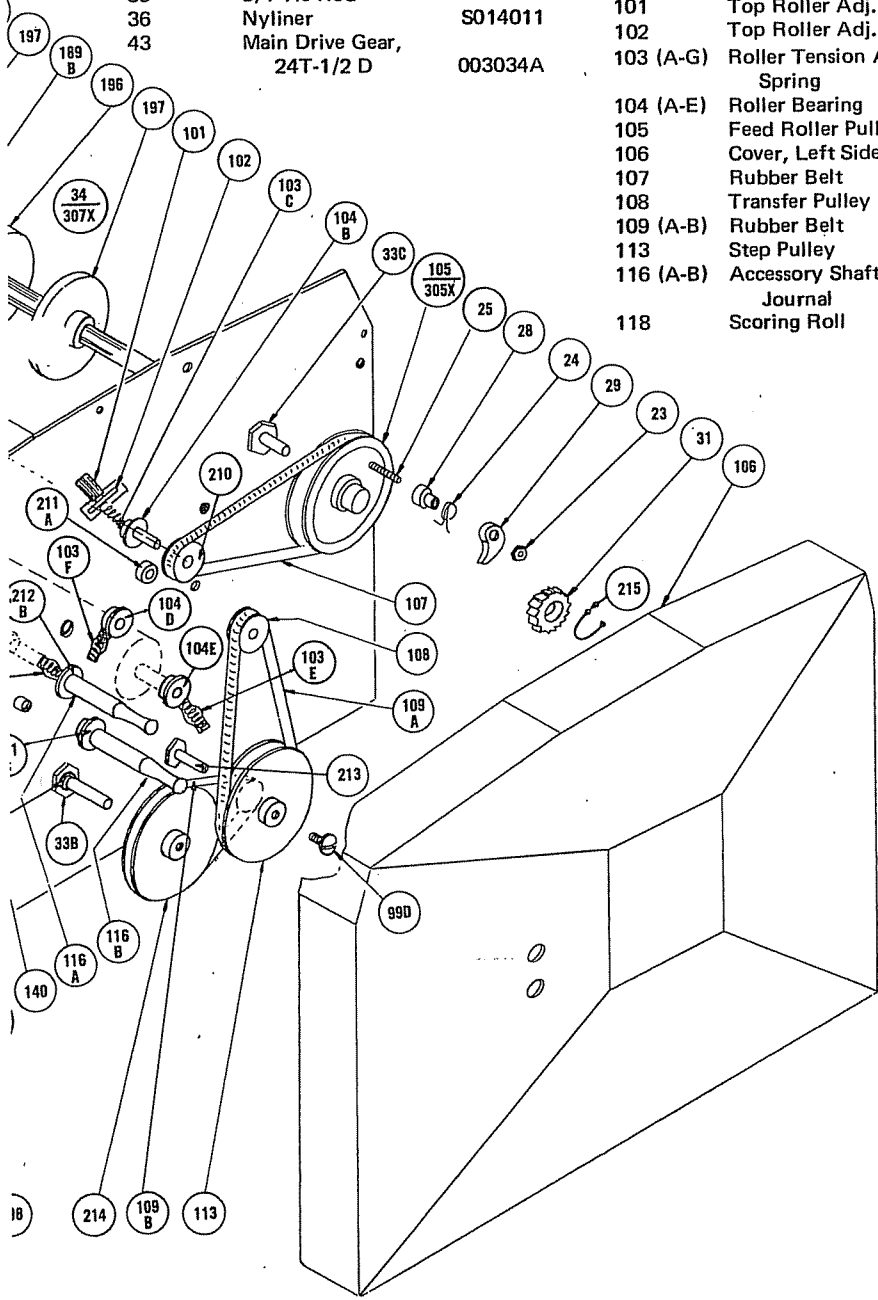
IMPORTANT: When Ordering parts, use the seven digit part number rather than the key number on diagram.

Folder parts list

Key	Description	Part No.
7	Feed Table Only	A008005
12	Retarder Spring	S031031
13	Thumb Nut	S007018
15	Retarder Bracket	0035110
16	Retarder Rubber	*0003116
17	10/32 Screw	S001021
18 (A-B)	1/8 Rivet	S009003
20	Bushing	A013020
21 (A-D)	Compression Spring	S031034
22 (A-B)	Spring Pin	0003109
23	6/32 Nut	S007054
24	Clutch Spring	0003131
25	6/32 Screw	S001079
26	1/2 Retainer Ring	S010003
27	3/8 Retainer Ring	S010002
28	Shoulder Bushing	0003135
29	Pawl	0003134
31	Ratchet	0003133
32 (A-B)	1/4 Screw	S003004
33 (A-B)	1/4 IPS Nut	S007015
34	Feed Roller Shaft	003025A
35	3/4 Tie Rod	0003066
36	Nyliner	S014011
43	Main Drive Gear, 24T-1/2 D	003034A

Key	Description	Part No.
44	Gear, 18T-3/8D	0003035
45	9" Pulley	A008024
46 (A-B)	5/16 Set Screw	S002019
48	Handwheel	0008095
56	Gear, 24T-3/8D	0003033
57	Gear, 18T-1/4D	0003036
58	Rubber Bumper	S030002
59	Electrical Cord	S037001
60 (A-B)	5/16 Lock Washer	S008019
61	5/16 Hex Head Cap Screw	S003014
62 (A-B)	5/16 Washer	S008018
64	Strain Relief	S035001
67 (A-E)	10/32 Screw	S001023
73	10/32 Set Screw	S002007
82	Feed Table Pin	0003104
84	Second Fold Table, Upper	A008010
85	Second Fold Ruler	0003097
86	Second Fold Table Shaft	0003069
92	Second Fold Table, Lower	A008009
95 (A-C)	Folding Roller	A003015
96	Main Drive Roller	A003016
99 (A-D)	10/32 Screw	S001022
101	Top Roller Adj. Nut	0003086
102	Top Roller Adj. Screw	0003020
103 (A-G)	Roller Tension Adj. Spring	S031036
104 (A-E)	Roller Bearing	S013009
105	Feed Roller Pulley	0003136
106	Cover, Left Side	0003002
107	Rubber Belt	S023001
108	Transfer Pulley	0003053
109 (A-B)	Rubber Belt	S023002
113	Step Pulley	A022005
116 (A-B)	Accessory Shaft Journal	0003019
118	Scoring Roll	0003083

Key	Description	Part No.
121 (A-D)	10/32 Nut	S007008
122	Exit Table	0003013
125	Bearing	S014005
126	Bushing	S013007
127	Stacking Tray	A003014
130	Axle Box Housing Blank	0003090
132	Stacking Wheel Assy Shaft	0003093
135 (A-D)	1/4 Tie Rod	0003065
139A	Perforator, 3/in.	A03085C
139B	Perforator, Std. 7/in.	A03085B
139C	Perforator, 14/in.	A03085D
140	Guide Roller, Rubber	A003079
141	Guide Roller, Steel	0003076
142	Accessory Shaft	A003018
145	1/4 Retainer Ring	S010004
146	Back-Up Hub	0003082
147	First Fold Table, Upper	A003008
149 (A-B)	10/32 Thumb Screw	S032017
150	Fold Chart	0003108
151	Stripper	0003132
152	First Fold Ind. Shaft	0003068
154	First Fold Ruler	0003096
156 (A-B)	Top Adj. Bracket	0003073
157 (A-B)	Indicator Bar	A003072
158 (A-B)	Fine Adj. Thumb Screw	0003081
159 (A-D)	Ang. Adj. Screw & Knob	S032023
160	First Fold Table, Lower	A003007
161	Conveyor Idler Shaft	0003064
180	Paper Guide, Left	A08006L
181	Paper Guide, Right	A08006R
182 (A-B)	Anti-Mar Clip	0008030
185	Speed Control Decal	S015024
186	Cover, Right Side	A008002
187	V-Belt	S023009
188	Motor Pulley	S022012
189 (A-B)	1/4 Set Screw	S002015
190	Motor	S021009
191	Resistor	S037110
192	Stacking Wheel Hook	S031021
193	Stacking Wheel Axle	0008011
194	Strain Relief	S035010
195	Feed Roller Hub	0008008
196	Feed Roller Rubber	0008015
197	Nylon Guide Roller	0008019
198	Main Frame, Left	0008004
199	Main Frame, Right	0008003
200	Main Drive Bearing	S013013
201	Speed Control	0008029
202	Circuit Breaker	S037099
203	Conveyor Drive Shaft	0008014
204	Stacking Wheel Assy Rod	0008017
205	Stacking Wheel Spring	0008013
206	Stacking Wheels, 4/set	S034001
207	Stacking Wheel Shaft Spring	S031050
208	Conveyor Drive Belts, 4/set	S024002
209	Base	0008023
210	Transfer Pulley	0008018
211 (A-C)	Bushing	S013010
212 (A-B)	Bushing	S013008
213	Idler Stud	0003040
214	Conveyor Drive Pulley	A022009
215	1/4 Retainer Ring	S010005
216	Slitter	A03085A
219	Terminal Block	S033015
220	Paper Deflector	0008012
221	Nylon Washer	S008011



MARTIN YALE *seventeen/UHS* autofolder parts list

ASSEMBLIES — Assemblies listed below should be ordered by assembly number only.

Key	Description	Assembly No.
300X	Feed Table, Complete	A08005A

Consists of:

- 1 - No. 7 Feed Table Only
- 1 - No. 12 Retarder Spring
- 1 - No. 13 Thumb Nut
- 1 - No. 15 Retarder Bracket
- 1 - No. 16 Retarder Rubber & Stud
- 1 - No. 17 10/32 Screw
- 1 - No. 121A 10/32 Nut
- 1 - No. 159A Ang. Adj. Screw & Knob
- 1 - No. 159B Ang. Adj. Screw & Knob
- 1 - No. 180 Paper Guide, Left
- 1 - No. 181 Paper Guide, Right
- 2 - No. 182 Anti-Mar Clip
- 1 - No. 221 Nylon Washer

See Page 1.

Key	Description	Assembly No.
301X	First Fold Table, Complete	A03008A

Consists of:

- 1 - No. 18B 1/8" Rivet
- 1 - No. 21B Compression Spring
- 1 - No. 22B Spring Pin
- 1 - No. 147 First Fold Table, Upper
- 1 - No. 148A Ang. Adj. Spring
- 1 - No. 149B 10/32 Thumb Screw
- 1 - No. 152 First Fold Table Shaft
- 1 - No. 154 First Fold Ruler
- 1 - No. 156B Top Adj. Bracket
- 1 - No. 157B Indicator Bar
- 1 - No. 158B Fine Adj. Screw
- 1 - No. 159D Ang. Adj. Screw
- 1 - No. 160 First Fold Table, Lower

See Page 2.

Key	Description	Assembly No.
302X	Second Fold Table, Complete	A08010A

Consists of:

- 1 - No. 18A 1/8" Rivet
- 1 - No. 21A Compression Spring
- 1 - No. 22A Spring Pin
- 1 - No. 84 Second Fold Table, Upper
- 1 - No. 85 Second Fold Ruler
- 1 - No. 86 Second Fold Table Shaft
- 1 - No. 92 Second Fold Table, Lower
- 1 - No. 148B Ang. Adj. Spring
- 1 - No. 149A Thumb Screw
- 1 - No. 156A Top Adj. Bracket
- 1 - No. 157A Indicator Bar
- 1 - No. 158A Fine Adj. Screw
- 1 - No. 159C Ang. Adj. Screw

See Page 1.

Key	Description	Assembly No.
303X	First Fold Adjustment Assembly	A03068A

Consists of:

- 1 - No. 21B Compression Spring
- 1 - No. 22B Spring Pin
- 1 - No. 148A Ang. Adj. Spring
- 1 - No. 149B Thumb Screw
- 1 - No. 152 Indicator Shaft
- 1 - No. 156B First Fold Top Bracket
- 1 - No. 157B Indicator Bar
- 1 - No. 158B Fine Adj. Screw
- 1 - No. 159D Ang. Adj. Screw

See Page 2 (Within Assembly 301X).

Key	Description	Assembly No.
304X	Second Fold Adjustment Assembly	A03069A

Consists of:

- 1 - No. 21A Compression Spring
- 1 - No. 22A Spring Pin
- 1 - No. 86 Second Fold Table Shaft
- 1 - No. 148B Ang. Adj. Spring
- 1 - No. 149A Thumb Screw
- 1 - No. 156A Second Fold Adj. Bracket
- 1 - No. 157A Indicator Bar
- 1 - No. 158A Fine Adj. Screw
- 1 - No. 159C Ang. Adj. Screw

See Page 1 (Within Assembly 304X).

Key	Description	Assembly No.
305X	Feed Roller Pulley Assembly	A003136

Consists of:

- 1 - No. 23 6/32 Nut
- 1 - No. 24 Clutch Spring
- 1 - No. 25 6/32 Screw
- 1 - No. 28 Shoulder Bushing
- 1 - No. 29 Pawl
- 1 - No. 31 Ratchet
- 1 - No. 105 Feed Roller Pulley
- 1 - No. 215 1/4" Retainer Ring

See Pages 2 & 3.

Key	Description	Assembly No.
306X	Stacking Wheel Assembly	A03093A

Consists of:

- 1 - No. 132 Assembly Shaft
- 1 - No. 145 1/4" Retainer Ring
- 1 - No. 193 Axle
- 1 - No. 205 Spring
- 4 - No. 206 Stacking Wheel

See Pages 2 & 3.

Key	Description	Assembly No.
307X	Feed Roller Shaft Assembly	A03025B

Consists of:

- 1 - No. 34 Shaft, Long & Short
- 1 - No. 195 Feed Roller Hub
- 1 - No. 196 Feed Rubber Only
- 2 - No. 197 Nylon Guide Roller

See Pages 2 & 3.

Key	Description	Assembly No.
308X	Accessory Shafts Assembly, Complete	A03018A

Consists of:

- 1 - No. 116A Accessory Shaft Journal
- 1 - No. 116B Accessory Shaft Journal
- 2 - No. 118 Scoring Roll
- 1 - No. 139 Perforator, 7/in.
- 2 - No. 140 Rubber Guide Roller
- 2 - No. 141 Steel Guide Roller
- 2 - No. 142 Accessory Shaft
- 2 - No. 146 Back-Up Hub
- 1 - No. 151 Stripper
- 1 - No. 216 Slitter

See Pages 2 & 3.

Instructions For Replacement of Speed Control

Remove nut and screw (A). Place metal panel, with resistor attached, onto small hole from which the nut and screw were removed. Using the longer screw attached to the resistor panel, replace in the same hole and tighten nut. The large hole in the resistor panel is placed over bearing nut (B) for location.

After resistor panel is secured to the machine, the next step is wiring.

BEFORE REASSEMBLING, BE SURE TO REMOVE ALL WIRES FROM TERMINALS AND THEN FOLLOW DIAGRAM.

**PARTS MAY
BE ORDERED
BY CONTACTING
YOUR LOCAL
MARTIN YALE
DEALER**

Step 1

Remove the red motor lead marked A-1, now connected to Terminal No. 2, and connect to resistor Terminal No. 13.

Step 2

Connect speed control as follows:
Red to Lower Terminal of Resistor No. 14

- Brown to Terminal No. 8
- Black to Terminal No. 5
- Yellow to Terminal No. 4
- 1 Blue to Terminal No. 9
- 1 Blue to Circuit Breaker

Wiring For Motor Leads and Cords

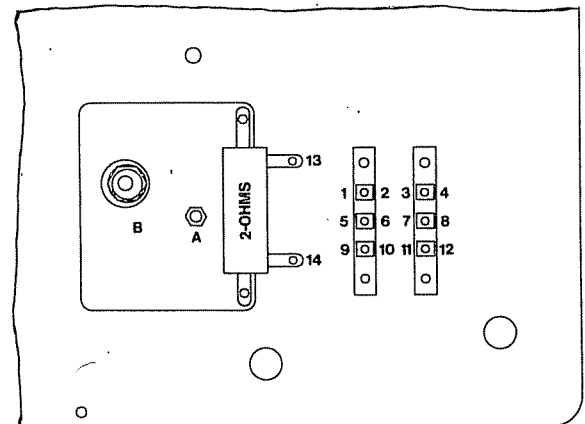
MOTOR LEADS:

- A-1: Red to Top Terminal of Resistor No. 13
- A-2: Black to Terminal No. 6
- F-1: White to Terminal No. 3
- F-2: Brown to Terminal No. 7

CORDS:

- White Lead to Terminal No. 10
- Black Lead to Terminal No. 11
- Green — Grounded

Extra Red Lead between Terminal 12 and Circuit Breaker.



NOTE: MAKE SURE LEAD WIRES ARE FIRMLY PRESSED INTO TERMINALS.

In the event the motor runs backward, reverse terminals No. 4 and No. 8.