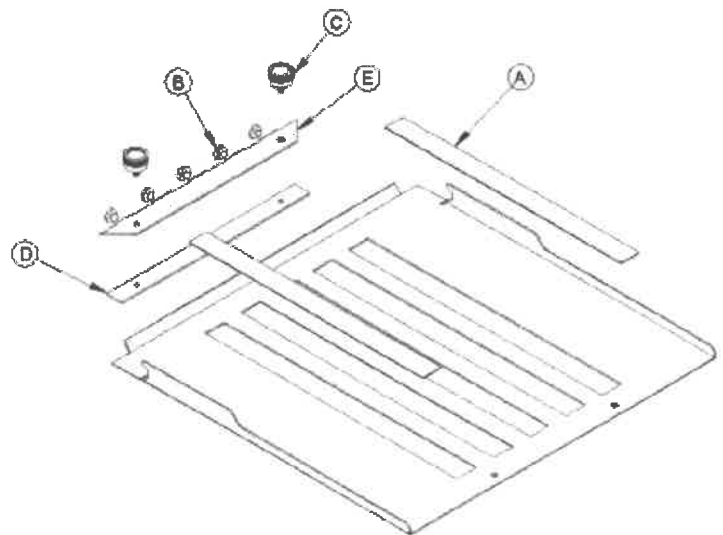


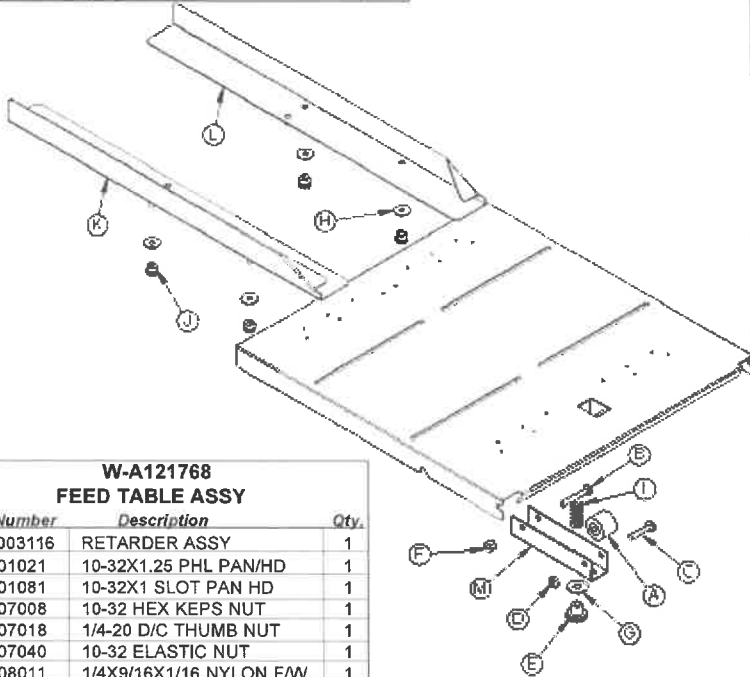
50 **W-A121718**
STACK WHEEL ASSY

Fig.	Part Number	Description	Qty.
A	M-S003031	10-32X3/4 SOCKET HEAD	1
B	M-S010004	5133-25 EXT. E-RING	6
C	M-S031050	COMPRESSION SPRING LG.	1
D	M-S034001	L30-4 BLACK 3" WHEEL	3
E	M-S043046	VINYL SAFETY TIP	1
F	W-O003090	AXLE HOUSING	1
G	W-O003093	STACK WHEEL SHAFT	1
H	W-O008013	STACKING FINGER	1
I	W-O121776	STACK WHEEL AXLE	1
J	W-O121777	STACK WHEEL BAR	1



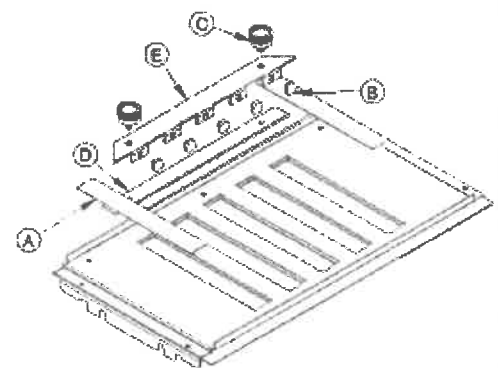
54 **W-A121764**
1ST FOLD TABLE ASSY

Fig.	Part Number	Description	Qty.
A	M-O001566	1ST FOLD RULER, 1217A	2
B	M-S030015	PAPER STOP BUMPER	5
C	M-S032007	FOLD TABLE THUMB KNOB	2
D	W-O001507	PAPER STOP BRACKET	1
E	W-O001534	BLACK PAPER STOP	1



57 **W-A121768**
FEED TABLE ASSY

Fig.	Part Number	Description	Qty.
A	WRA003116	RETARDER ASSY	1
B	M-S001021	10-32X1.25 PHL PAN/HD	1
C	M-S001081	10-32X1 SLOT PAN HD	1
D	M-S007008	10-32 HEX KEPS NUT	1
E	M-S007018	1/4-20 D/C THUMB NUT	1
F	M-S007040	10-32 ELASTIC NUT	1
G	M-S008011	1/4X9/16X1/16 NYLON F/W	1
H	M-S008045	#10 X 5/8 FIBER WASHER	4
I	M-S031031	RETARDER SPRING	1
J	M-S032008	8/32 F/M THUMB KNOB	4
K	W-1121755	PAPER GUIDE, RIGHT	1
L	W-1121756	PAPER GUIDE, LEFT	1



56 **W-A121767**
2ND FOLD TABLE ASSY

Fig.	Part Number	Description	Qty.
A	M-O001568	LOWER FOLD TABLE RULER	2
B	M-S030015	PAPER STOP BUMPER	5
C	M-S032007	FOLD TABLE THUMB KNOB	2
D	W-O001507	PAPER STOP BRACKET	1
E	W-O001534	BLACK PAPER STOP	1

NOTE: ANY PART NOT LABELED IN THE ASSEMBLY DIAGRAMS MAY ONLY BE ORDERED AS A COMPLETE ASSEMBLY.



251 Wedcor Avenue • Wabash, IN 46992
 Phone: (260)563-0641 • Fax: (260)563-4575
 Website: www.martinyale.com • Email: info@martinyale.com