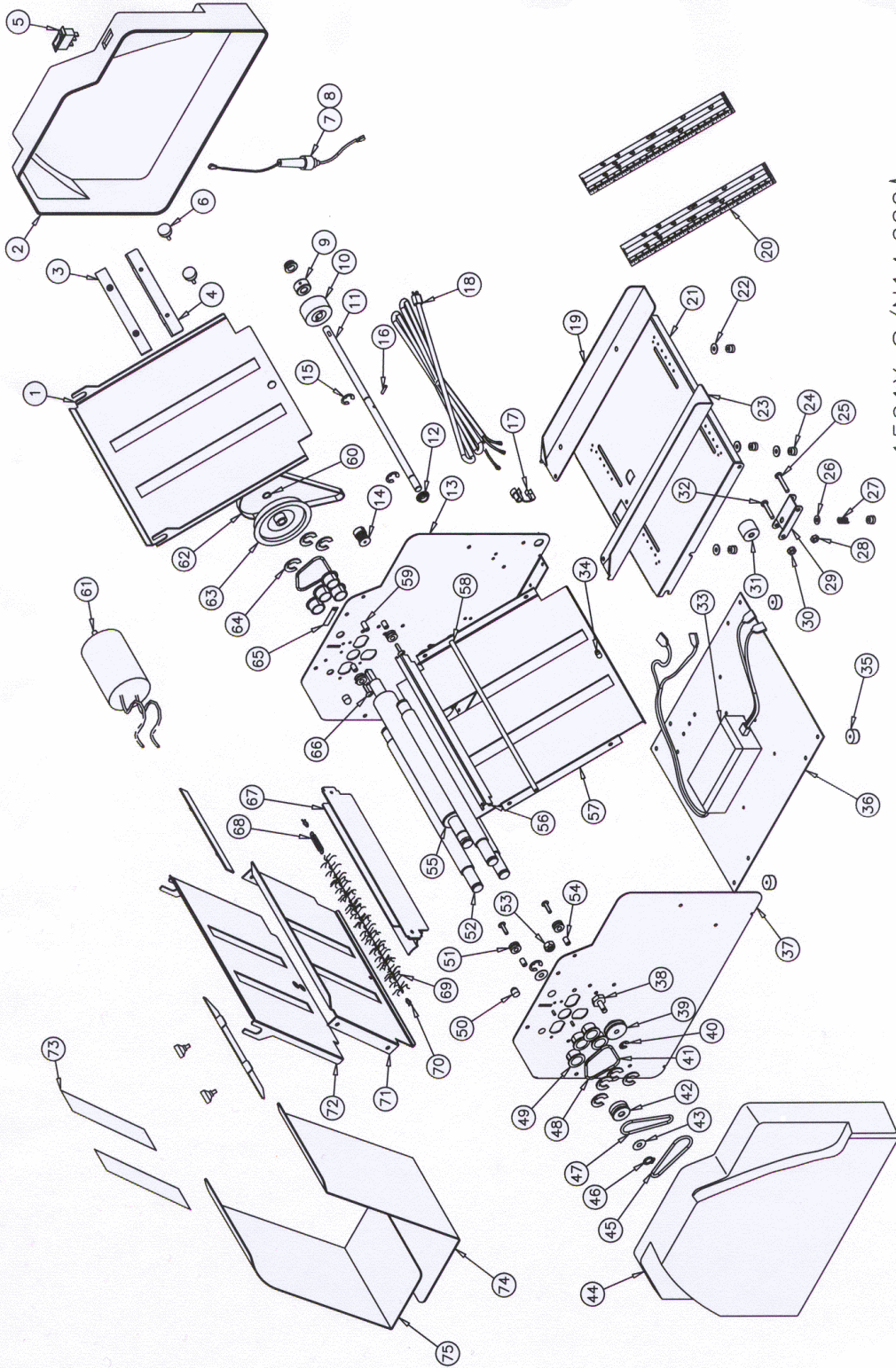


1501X Parts List

Serial Number 14000 and up

<u>Fig.</u>	<u>Part Number</u>	<u>Description</u>	<u>Qty.</u>
1	W-O001602	1 st Fold Table Top	1
2	M-O001638	Cover-Switch Side	1
3	W-O001616	Paper Stop Locking Bar	2
4	W-O001615	Paper Stop	2
5	M-S033064	On/Off Momentary Switch	1
6	M-S032007	8-32 x ¼ Thumb Knob	4
7	M-S045223	Inline Fuse Holder	1
8	M-S045027	Fuse 2 Amp 250V	1
9	M-S037302	3/8 Shaft Collar	1
10	M-O001649	CV7 Feed Roller	1
11	W-O001617	Feed Roller Shaft	1
12	M-S014029	3/8 ID Clip Bearing	2
13	W-I001608	Right Side Frame	1
14	M-S022129	3MM 12T X 5MM ID Pulley	1
15	M-S010011	3/8 External "E" Ring	2
16	M-S018064	1/8 x 5/8 Dowel Pin	1
17	M-S035018	Strain Relief 15-1 Heyco	1
18	M-S037020	115V USA Line Cord	1
18	M-S037276	European Cord 10 Amp	1
18	M-S045177	British Line Cord 3 Amp	1
19	W-I001671	Right Side Paper Guide	1
20	M-O001642	1 st Fold Table Ruler	2
21	W-A001669	Feed Table	1
22	M-S008045	#10 x 5/16 Fiber Washer	4
23	W-I001670	Left Paper Guide	1
24	M-S032008	8-32 Thumb knob	5
25	M-S001021	10-32 x 1.25 Phl. Pan/hd	1
26	M-S008087	#8 Flat Washer	1
27	M-S031096	1501X Retarder Spring	1
28	M-S007040	10-32 Elastic Nut	1
29	W-O001672	Retarder Holder	1
30	M-S008009	10-32 Hex Keps Nut	1
31	WRA003116	Retarder Assembly	1
32	M-S001081	10-32 x 1 Slot Pan Head	1
33	W-A001653	220V CV7 Trans Assy	1
33	M-S045267	110V CV7 Pwr Supply	1
34	M-O001664	Fold Table Stud	1

35	M-S030045	Rubber Foot	4
36	W-O001612	Base Plate	1
37	W-I001607	Left Side Frame	1
38	M-O001683	Step Pulley Idler	1
39	M-O001682	Step Pulley	1
40	M-S010004	5133-25 Ext. "e" ring	1
41	M-O001666	Long Roller Spring	2
42	W-A001677	Feed Pulley	1
43	M-S008015	3/8 SAE Flat Washer	2
44	M-O001637	Cover-Non switch Side	1
45	M-S023052	#224 O-Ring (Idler)	1
46	M-S010021	5555-37 Grip ring, Ext.	1
47	M-S023051	#222 O-Ring (Feed)	1
48	M-O001665	Short Roller Spring	2
49	M-O001625	Capstan Bearing	8
50	M-S030052	1/2 Dia. Rubber Bumper	2
51	M-S030051	Grommet .25 ID x .44 OD	7
52	W-O001619	Pressure Roller	3
53	M-O001674	Index Pin	1
54	M-S019032	1/4 x 3/8 x .17 ID Spacer	4
55	W-A001676	Capstan Roller	1
56	W-O001675	Feed Deflector	1
57	W-O001601	1 st Fold Table Bottom	1
58	W-O001681	Tie Rod	1
59	M-O003104	Feed Table Pins	1
60	M-S010002	External Retaining Ring	1
61	W-A001655	CV7 Motor Assembly	1
62	M-S025041	130T 3MM HTD Belt	1
63	M-O001633	Capstan Drive Pulley	1
64	M-O001631	Shaft Retaining Ring	7
65	W-O001641	Guide Load Spring	1
66	M-S001117	8-32 x 5/8 Truss Head	4
67	W-A001678	Top Guide Assembly	1
68	M-S031097	1/4 x 1 Extension Spring	1
69	W-A001684	1051X Anti-static Tinsel	1
70	M-S018067	1/4 Hairpin Clip	2
71	W-O001603	2 nd Fold Table Bottom	1
72	W-O001604	2 nd Fold Table Top	1
73	M-O001643	2 nd Fold Table Ruler	2
74	W-O001611	Exit Tray	1
75	W-O001668	2 nd Exit Tray	1



1501X S/N14,000†

REVISION DATE: 04/20/2001

PART LIST

FIG.	PART No.	DESCRIPTION	QTY.
①	M-S037020	110 VOLT CORD	1
②	M-S045223	INLINE FUSE HOLDER	1
③	M-S033064	SWITCH ON/OFF/MOM.	1
④	M-S045267	110V POWER SUPPLY	1
⑤	W-A001655	CV-7 MOTOR ASSEMBLY	1
⑥	M-S045027	FUSE 2 AMP 250 VOLT	1

