

408A,508A Parts List

Rev. 1.10
2022.3.22

Parts list screw notation

Notation

Screw⇒ 「Screw head sign」+「Screw washer symbol」+「Screw diameters」+「×」+「Screw length」

(Example)In-house designation「4×6WSems」=PNSWPW4×6
3+2+2=¥7

(Example)In-house designation「3×10Truss」=TR3×10
¥5

Pin⇒ 「Pin sign」+「Screw diameters」+「×」+「Screw length」

(Example)In-house designation「4×6Roll Pins」=SP4×6
¥12

Other(Washers、Nut、ERing)

⇒ 「Symbol」+「Size」

(Example)In-house designation「4Thick Washers」=PW4
¥2

(Example)In-house designation「M3Thin Nut」=T3N3
¥4

(Example)In-house designation「E8(8ERing)」=ER8
¥5

[Note]

· The partition price of the bill of materials indicates the unit price of one piece.

Consumption tax is not included.

· Order screws and washers with a minimum of 30 lots for shipping reasons. In addition, please order as many points as possible.

Screw symbol

Symbol	Name	List price
HX	hexagon head	6
PN	pan head	3
FL	countersunk head	3
FS	flat head screw small head	4
TR	mushroom head	5
BD	binding head	5
HS	hexagon socket head	16
LO	low head	6
PNTP	Tapping screw	5
PNDT	P tight screw	5
HC	Hexagon socket head bolt	6

Screw washer Symbol

Symbol	Name	List price
SW	spring lock washer	2
PW	plain washer	2
LW	toothed lock washer	3

Pin Symbol

Symbol	Name	List price
SP	spring pin	12
PP	parallel pin	12

Washer symbol(Other than screw attachment)

Symbol	Name	List price
SW	spring lock washer	2
PW	plain washer	2
TW	thin plain washer	2
LW	toothed lock washer	3
WW	waved washer	6

Nut Symbol

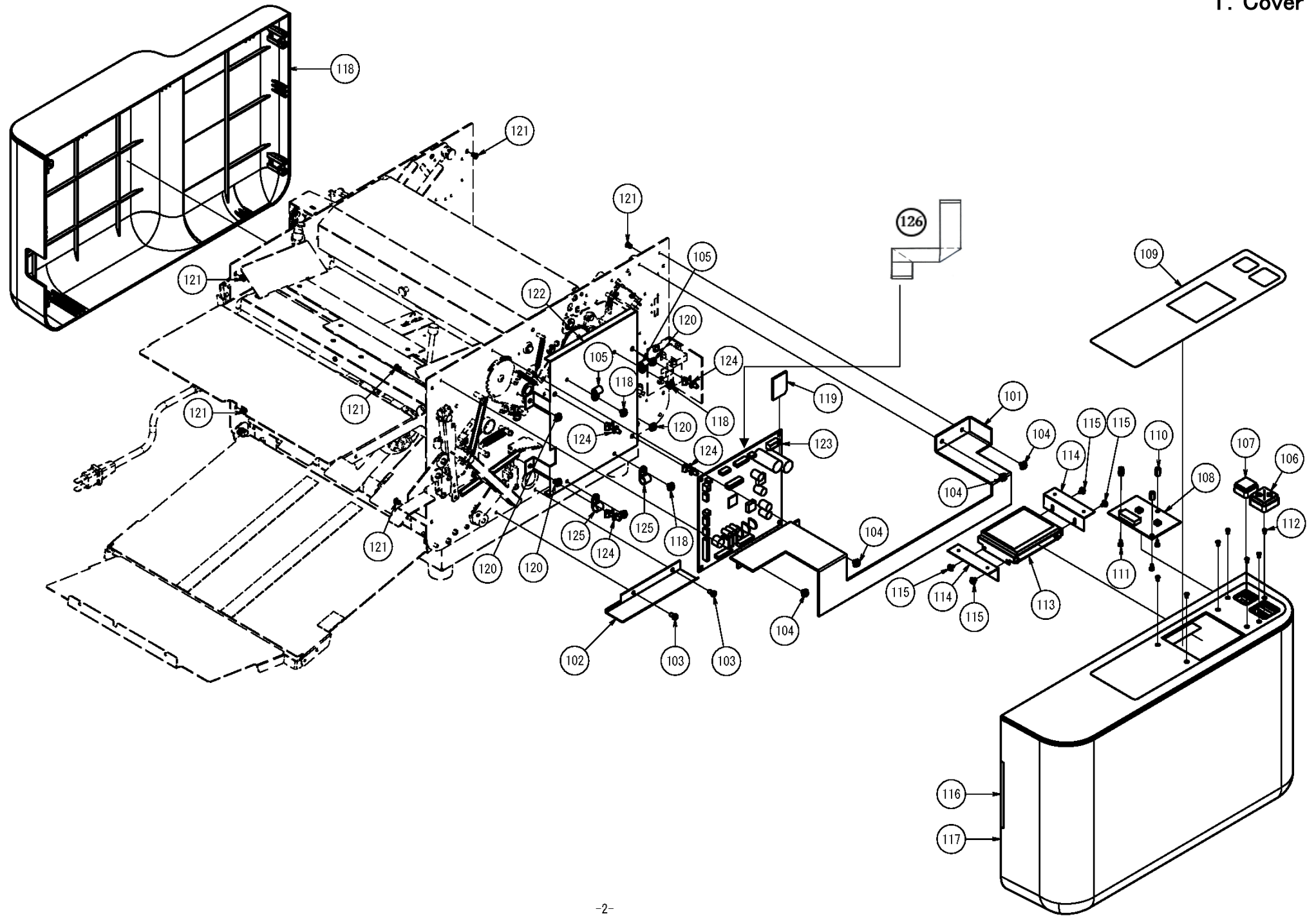
Symbol	Name	List price
T1N	type 1 hexagon nut	4
T2N	type 2 hexagon nut	4
T3N	type 3 hexagon nut	4
T4N	type 4 hexagon nut	5
CN	cap nut	5
T1NSW	type 1 hexagon nut & spring lock washer	6

Snap ring symbol

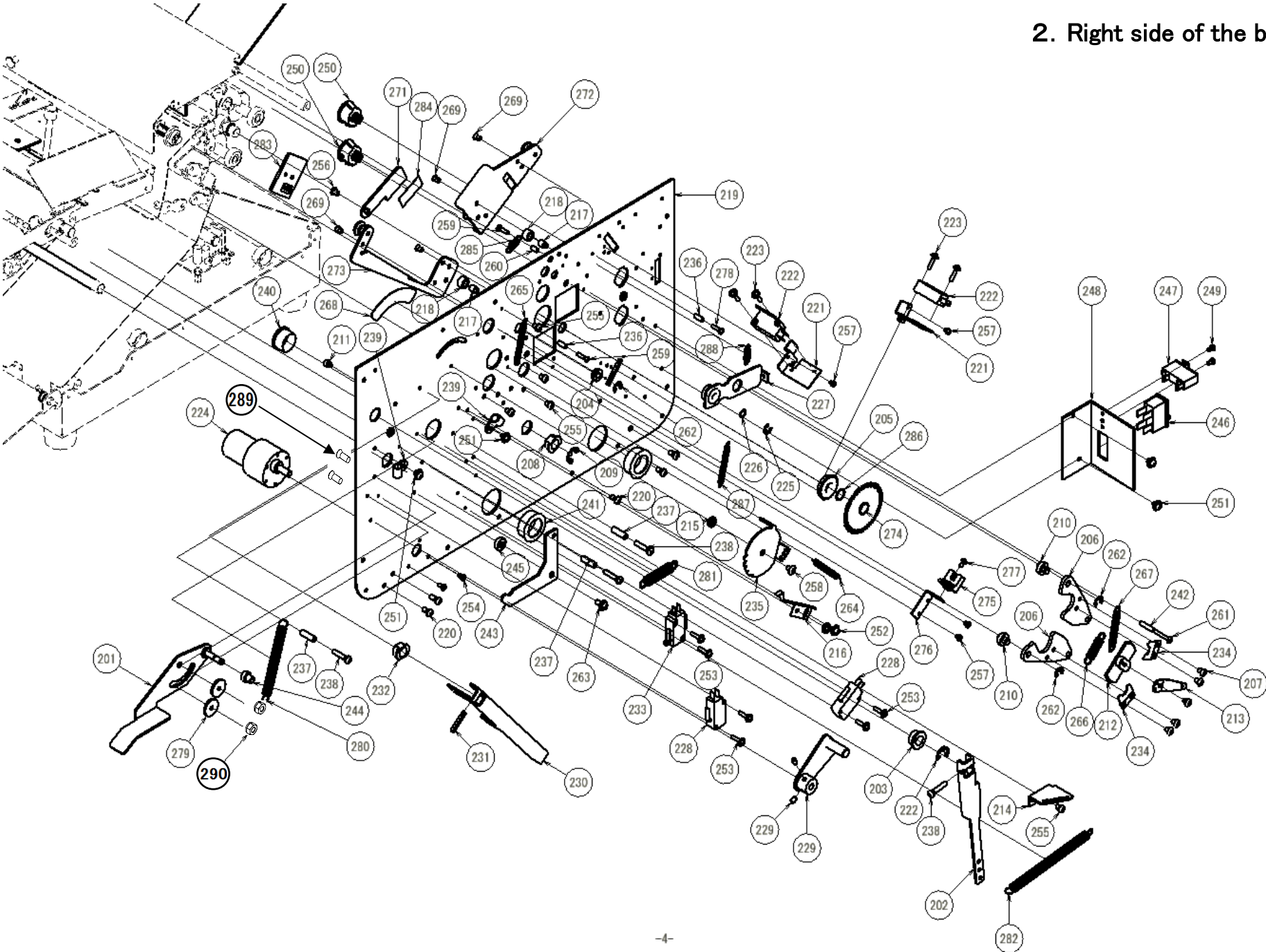
Symbol	Name	List price
ER	E type retaining ring	5
CR	C type retaining ring	6

1. Cover	-----	P.2,3
2. Right side of the body	-----	P.4,5
3. Inside of the body	-----	P.6,7
4. Left side of the body	-----	P.8,9
5. Paper feed table	-----	P.10,11
6. Folding table 1	-----	P.12,13
7. Folding table 2	-----	P.14,15

1. Cover



2. Right side of the body

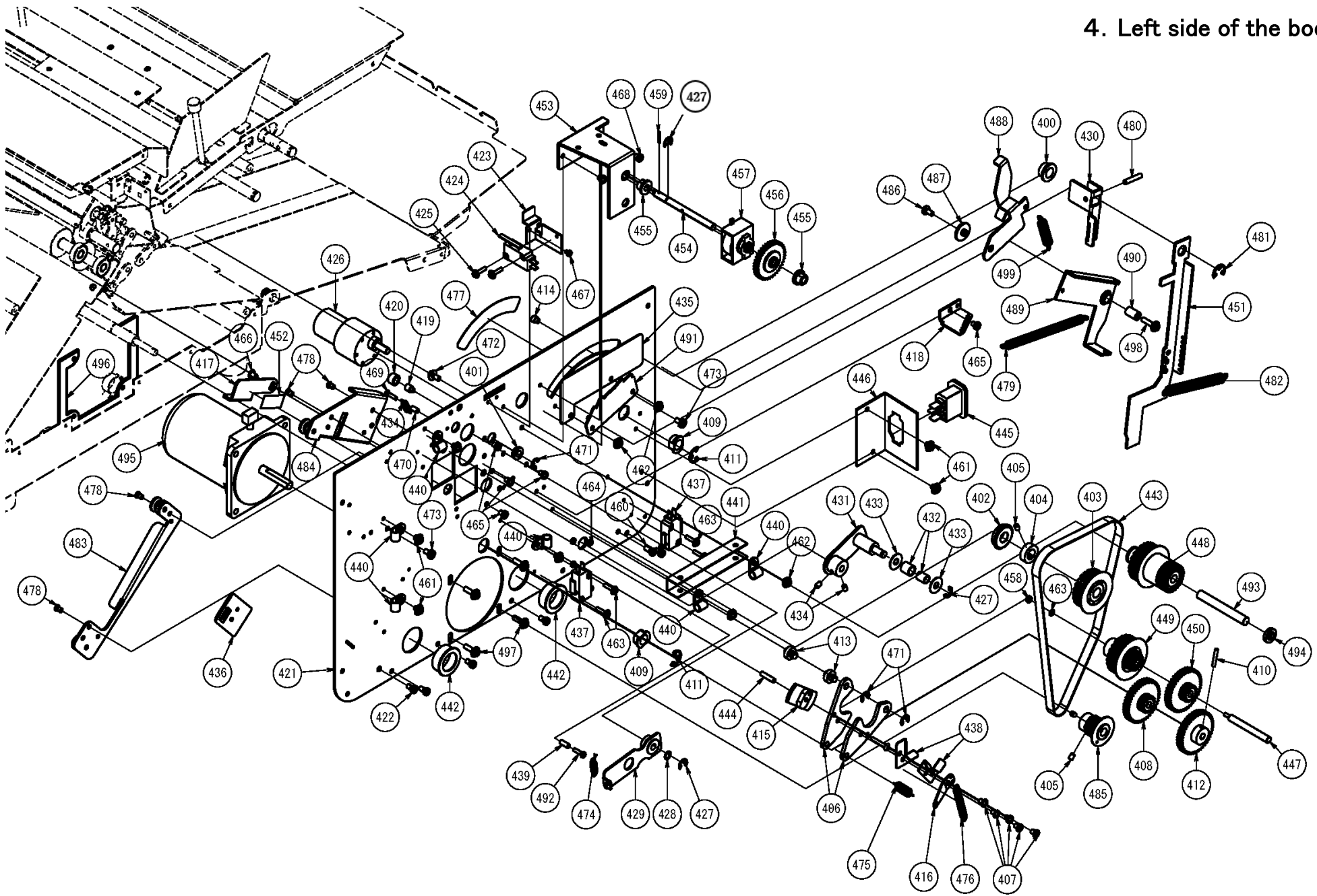


3. Inside of the body

Fig.No.	Parts No.	Parts Name	408A	508A	Remarks
301	0260-2390	Paper feed shaft	1	1	
302	0070-6010	Paper feed rubber holder	1	1	
303	0070-6080	Paper feed rubber roller	3	3	
304	0145-2320	Paper feed bearing	1	1	
305	1286-0143	Paper feed shaft collar	2	2	
306	0260-2070	Auxiliary paper feed holer	2	2	
307	ER6	ER6	1	1	
308	PN3 × 10	PN3 × 10	1	1	
309	PN4 × 8	PN4 × 8	2	2	
310	0145-2330	Paper feed shaft SP	1	1	
311	3264-0082	Separator A'ssy	1	1	0070-6040, 0264-0078,0264-0081
312	0264-0077	Separator mounting plate	1	1	
313	1666-6161	CF-402E	1	1	
314	1666-6159	FW-0414-08E	1	1	
315	FL3 × 10	FL3 × 10	3	3	
316	SP3 × 10	SP3 × 10	1	1	
317	1666-1700	Separator lever	1	1	
318	1666-1701	Separator shaft	1	1	
319	PNSW3 × 10	PNSW3 × 10	1	1	
320	1666-6127	Photo sensor mounting tray	1	1	
321	0020-0200	Lower paper ejection roller shaft kanigen	1	1	
322	0260-3020	Lower paper ejection roller	2	2	
323	ER8	ER8	10	10	
324	1666-2121	Center roller	1	1	
325	3264-0048	Folding roller	2	2	0264-0048,0051-0090*2
326	0260-3020	Lower paper ejection roller	2	2	
327	SP3 × 18	SP3 × 18	3	3	
328	0260-2610	Slant adjustment Plate	1	1	
329	1666-3100	Paper ejection roller shaft	1	1	
330	0020-1160	Reinforced shaft	2	2	
331	0020-2220	Guide mounting angle A	8	8	
332	5149-0504	Plafoot TM-127-3	4	4	
333	1666-0600	Rear cover	1	1	
334	1666-0002	Base	1	1	
335	LO4x6	LO4x6	3	3	
336	1152-7144	SWF050P-24	1	1	
337	1666-0950	ASB-310E	4	4	
338	PNSW3 × 6	PNSW3 × 6	5	5	
339	PNSWPW3 × 6	PNSWPW3 × 6	6	6	
340	0264-0049	Upper roller	1	1	
341	0260-1190	Interceptor	1	1	
342	0020-0330	Interceptor plate	1	1	
343	0260-3070	Roller moving shaft	0	1	
344	0260-3080	Paper ejection roller holder	0	1	
345	PNSWPW4 × 14	PNSWPW4 × 14	0	2	
346	0260-3030	Paper ejection U roller shaft	1	1	
347	0020-1170	Paper ejection roller	2	2	
348	1666-7115	KB1242-AA23LF	1	1	
349	1666-0302	Safety cover Assembly	1	1	
349-1	0260-9235	Anti-reflection seal	1	1	
350	1222-7080	Light receiving board	1	1	

Fig.No.	Parts No.	Parts Name	408A	508A	Remarks
351	1222-6027	80F-0608	1	1	
352	0264-0132	Paper ejection tray	1	1	
353	1666-0350	CF-308ZE	2	2	
354	1666-0303	Board shading sponge	1	1	
355	1666-0351	CF-302.5E	2	2	
356	PNSW3 × 14	PNSW3 × 14	2	2	
357	T1N3	T1N3	4	4	
358	1666-5300	Upper paper ejection guide A	0	1	
359	1666-5305	light emitting board tray	1	1	
360	1666-7116	KB1242-AA14LF	1	1	
361	PNSW3 × 8	PNSW3 × 8	2	2	
362	PNSWPW3 × 4	PNSWPW3 × 4	2	2	
363	PNSW3 × 12	PNSW3 × 12	1	1	
364	PNSW3 × 4	PNSW3 × 4	6	6	
365	0264-0160	Static eliminator bar	1	1	
366	7330-5008	KR866	1	1	
367	1666-0400	Double feed light emitting board	1	1	
368	1666-1501	Lower double feed detection paper guide	1	1	
369	1666-5301	Upper paper ejection guide B	1	0	
370	7330-5014	FLC-10S	5	5	
371	1666-1400	Auxiliary paper feed table	1	1	
371-1	0053-0180	Gauge for paper guide	1	1	
371-2	0260-2610	Siant adjustment Plate	1	1	
372	1666-5107	Paper ejection table	1	1	
373	1666-0250	CF-303ZE	2	2	
374	BD3 × 5	BD3 × 5	4	4	
375	1666-5105	Auxiliary paper ejection table	1	1	
376	1666-6122	Paper ejection slide plate	1	1	
377	1666-3151	Paper ejection conveying belt	2	2	
378S	1666-1930	Auxiliary paper guide set	1	1	
378	1666-1920	Auxiliary paper guide(R)	1	1	
378A	3666-1920	Auxiliary paper guide(R)ASSY	1	1	378,379,382,383,384
379	0020-2030	Paper holder lever(R)	1	1	0020-1060,1070,1080,4450B
380	1666-1921	Auxiliary paper guide(L)	1	1	
380A	3666-1921	Auxiliary paper guide(L)ASSY	1	1	380,381,382,383,384
381	0020-2040	Paper holder lever(L)	1	1	0020-1060,1070,1080,4450B
382	0020-1050	Rubber magnet	2	2	
383	0020-0340	F roller holder	2	2	
384	PNSW4 × 8	PNSW4 × 8	2	2	
385	1666-1600	Upper double feed detection	1	1	
386	0260-2570	A3 scale	1	1	
387	PNSW4 × 6	PNSW4 × 6	8	8	
388	0264-0138	Eject sheet	2	2	
389	1281-0302	Protect sheet	1	1	
390	1666-5100	Paper ejection table fixed knob	2	2	
391	3264-0532	Art / Coated Paper separator	0	1	0264-0532, 0078, 0081
392	5148-0445	Urea screw M3*8 white	0	1	
393	0264-0522	Separator storage plate	0	1	
394	T1N4	T1N4	2	2	
395	BD4 × 6	BD4 × 6	3	3	
396	0260-9210	Power cord KP-218	1	1	
397	0072-8060	Power code KP-30 for U.S.A.	0	0	
398	0072-8070	Power cord KP-4819D for Germany	0	0	
399	0072-8090	No power corde for Britain	0	0	
400	1100-0001	Power cord KP-551 for Australia	0	0	

4. Left side of the body

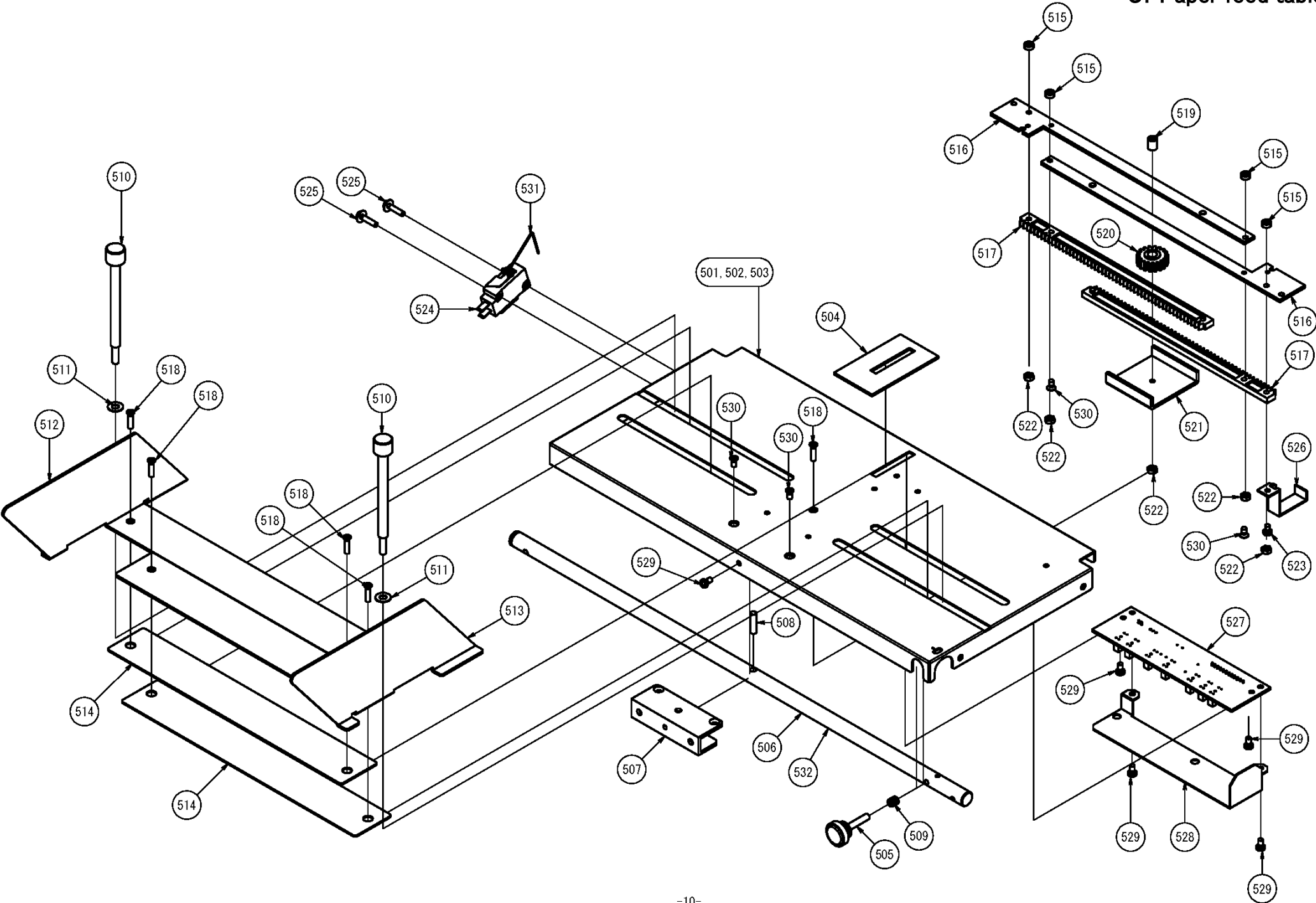


4. Left side of the body

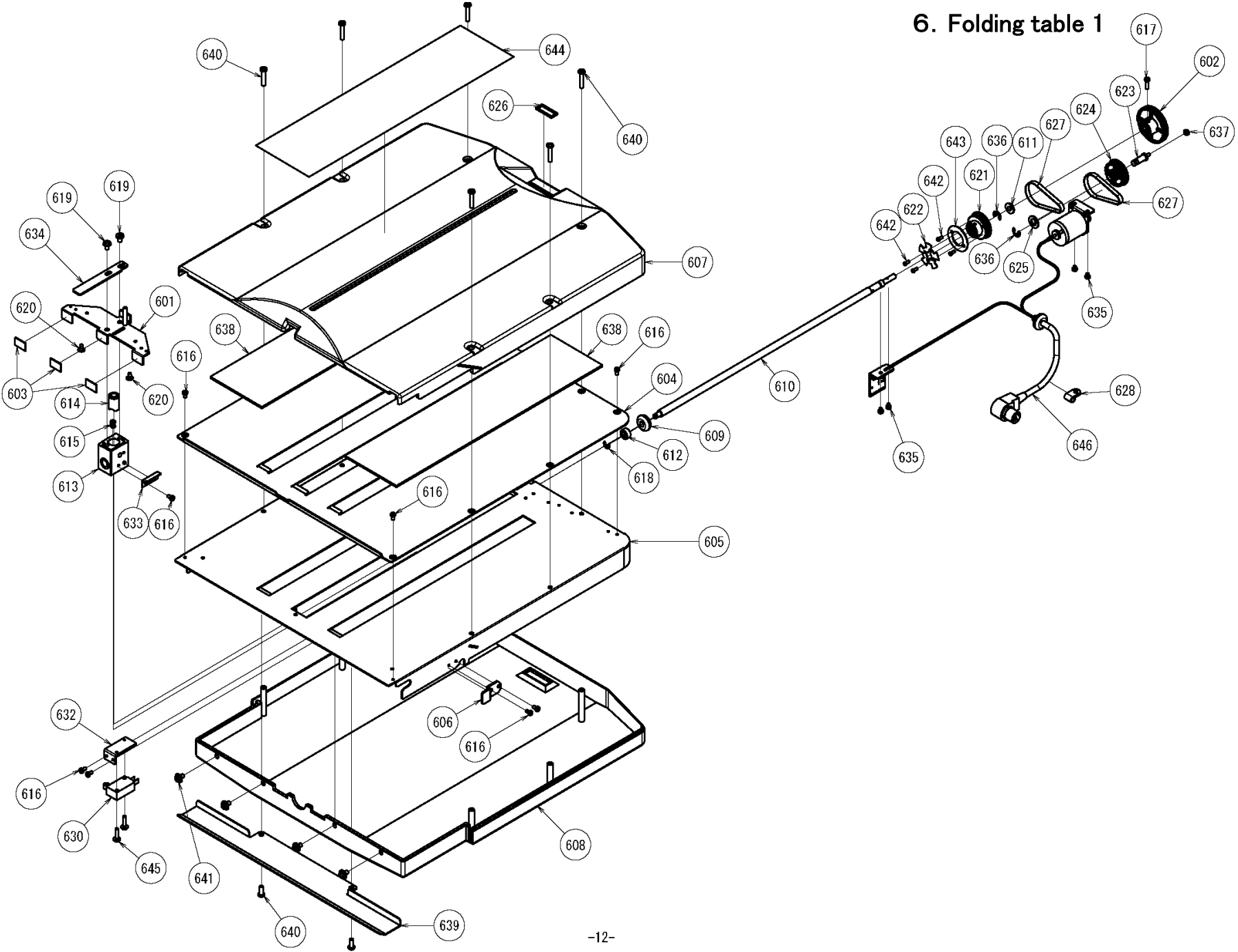
Fig.No.	Parts No.	Parts Name	408A	508A	Remarks
400	0020-0140	Φ10 metal	1	1	
401	0020-0400	Φ6 metal	2	2	
402	1666-2150	Bearing 6900ZZNR	2	2	
403	1268-0043	Speed reduction pulley	1	1	
404	0146-0670	Shutter plate boss	1	1	
405	HS4x6	HS4x6	3	5	
406	0264-0039	Bearing holder	2	2	
407	PNST4 × 5	PNST4 × 5	4	4	
408	0020-0180	Speed reduction gear	1	1	
409	0145-4170	B-F10-9	1	2	
410	SP3 × 18	SP3 × 18	3	3	
411	ER8	ER8	2	3	
412	0020-0170	Paper ejection roller gear	1	1	
413	0020-0050	Bearing holdr bearing center	4	4	
414	0020-0040	Auxiliary table hook center	2	2	
415	0260-1080	Lift cam	2	2	
416	1666-2400	Lift cam return lever	2	2	
417	1281-0240	Lift cam lever (L)	1	1	
418	0020-0750	Spring hook	0	1	
419	0220-1050	Stopper	5	5	
420	0220-1140	Stopper rubber	5	5	
421	1666-0103	Left side cover	1	1	
422	PNSW4 × 8	PNSW4 × 8	11	11	
423	1666-0502	Interlock SW mounting tray	1	1	
424	7148-0017	Lead μ switch D2RV-L	1	1	
425	PNSWPW3 × 14	PNSWPW3 × 14	2	6	
426	1666-7104	TP-2732F-KG-250-H00-24	0	1	
427	ER5	ER5	6	6	
428	0260-1213	Paper feed adjustment W0.5	2	2	
429	3666-2001	F roller holder	2	2	1666-2001, 0260-7100, 0260-1180
430	0260-2550	Table lever angle	0	1	
431	3666-3302	Paper feed lifting arm	0	1	1666-1302, 0260-2240, 0260-2230
432	0143-0320	Up and down lever roller ASSY	0	1	0143-0330, 0143-1020
433	0145-2840	Paul washer	0	2	
434	0260-1260	Interceptor SP	1	1	
435	0264-0004	Paper feed table lever cover	1	0	
436	1666-4114	Table side guide A	1	1	
437	0100-3510	D2MV-01L22-1C2	0	2	
438	0264-0040	Holder roller bearing presser	2	2	
439	1333-0353	CF-310ZE	3	3	
440	1262-7204	NK-4N	9	8	
441	1666-0702	Inlet wiring board	0	1	
442	0260-9160	TB-1926	4	4	
443	1666-3350	Driving belt 202XL037G	1	1	
444	1263-0049	CF-317ZE	2	2	
445	1666-7111	3P Inlet AC-P03CS05	1	1	
446	1666-7204	Inlet mounting tray	1	1	
447	1666-3154	Paper ejection pulley shaft	1	1	
448	1666-6148	Paper feed pulley Assy	1	1	1666-6151, 0264-0033, 0145-
449	1666-6149	Paper ejection pulley Assy	1	1	1666-6153, 0264-0033, 1666-
450	0020-0180	Speed reduction gear	1	1	

Fig.No.	Parts No.	Parts Name	408A	508A	Remarks
451	1666-1301	Table lever	0	1	
452	0260-1300	Lift return sheet	1	1	
453	1666-1800	Clutch holder	1	1	
454	1666-1801	Cluch shaft	1	1	
455	0145-4140	Sintered metal B-F6-45	2	2	
456	0260-2050	Paper feed gear	1	1	
457	5149-0001	MGSCO-33J-CW-3343	1	1	
458	missing number				
459	1271-0128	PP2 × 12	1	1	
460	PNSW4 × 10	PNSW4 × 10	2	2	
461	PNSWPW4 × 6	PNSWPW4 × 6	14	14	
462	PNSWPW4 × 5	PNSWPW4 × 5	10	10	
463	SPW	SPW	1	1	
464	PNSW3 × 6	PNSW3 × 6	0	3	
465	PNSW4 × 6	PNSW4 × 6	20	21	
466	LO4x6	LO4x6	2	2	
467	PNSW3 × 4	PNSW3 × 4	10	10	
468	PNSW4 × 5	PNSW4 × 5	4	4	
469	PN3 × 12	PN3 × 12	3	3	
470	1281-0299	CF-307ZE	2	2	
471	missing number				
472	PNSWPW4 × 10	PNSWPW4 × 10	2	2	
473	BDLW4 × 8	BDLW4 × 8	2	2	
474	0020-0350	F roller SP	1	1	
475	0020-0290	Holder rollerSP	1	1	
476	0260-1280	Spring lift return SP	1	1	
477	1666-8048	Paper feed pressure	0	1	
478	FS4 × 6	FS4 × 6	16	16	
479	1281-0111	Table SP-B	0	1	
480	SP4 × 22	SP4 × 22	0	1	
481	missing number				
482	1281-0113	Paper feed pressure SP-B	0	1	
483	3666-4118	Table 2 guide left Assy	1	1	1666-4118, 1666-
484	3666-4111	Automatic table 1 guide (L) Assy	1	1	1666-4111, 1666-
485	3264-0044	Main motor A Assy	1	1	0264-0045, 0145-1960
486	BD4 × 8	BD4 × 8	0	1	
487	0020-0800	Paper feed table lever presser	0	1	
488	1666-1913	Paper feed pressure	0	1	
489	1666-1912	Paper feed pressure SP lever ASSY	0	1	
490	1666-1950	CF-413E	0	1	
491	1281-0117	Paper feed pressure adjuster B	0	1	
492	PNSW3 × 12	PNSW3 × 12	0	2	
493	1666-3000	Paper feed pulley shaft	1	1	
494	1666-3050	CC-0814-30	1	1	
495	1286-8170	Main motor	1	1	
496	1666-3301	Motor mounting plate	1	1	
497	PNSWPW4 × 15	PNSWPW4 × 15	4	4	
498	PNSWPW4 × 18	PNSWPW4 × 18	0	1	
499	0264-0510	Paper feed pressure setting	0	1	
	3666-1801	Cluch shaft Assy	1	1	454&459
	3149-0001	MGSCO-33JAssy	1	1	453-457,459,468*2

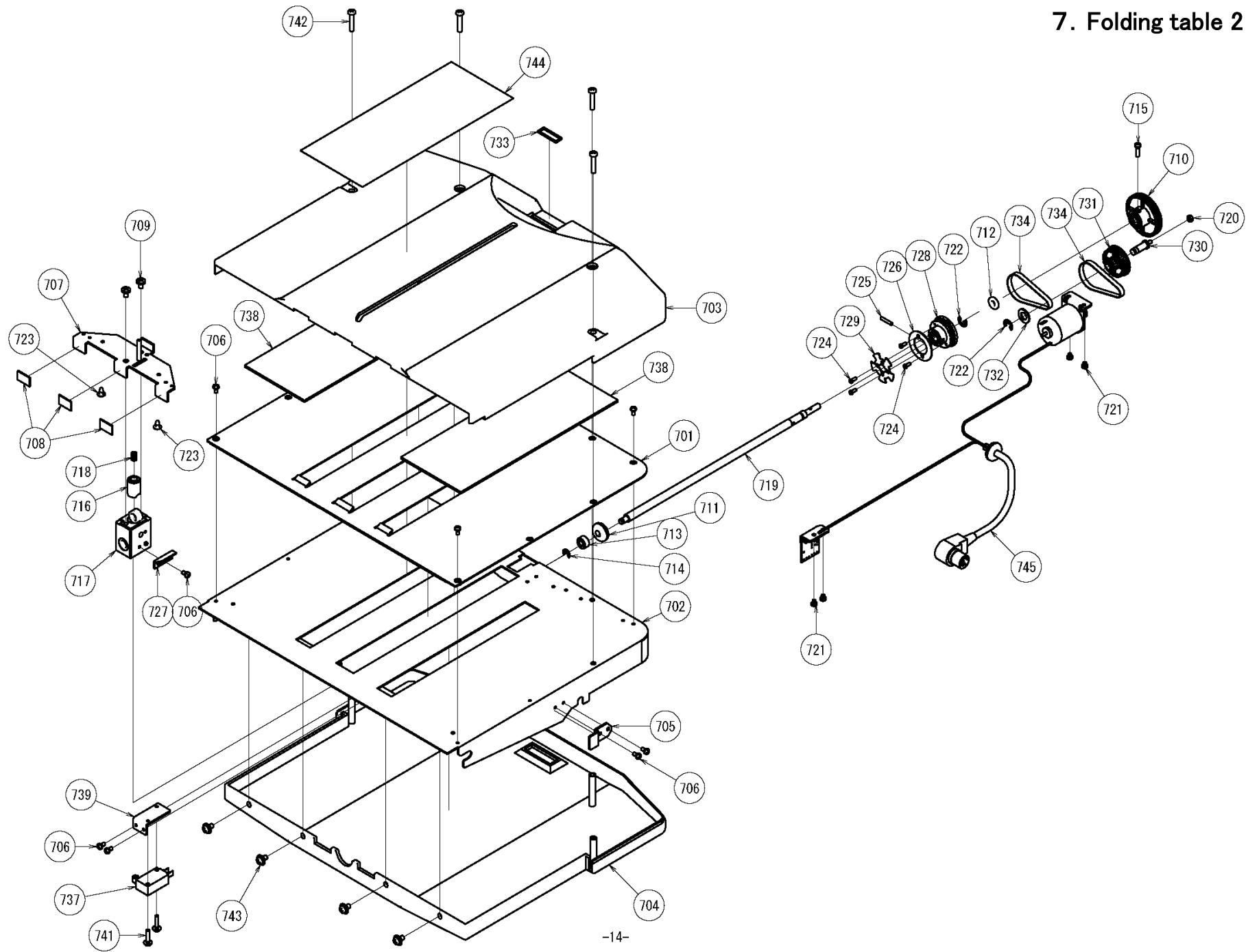
5. Paper feed table



6. Folding table 1



7. Folding table 2



7. Folding table 2

Fig.No.	Parts No.	Parts Name	408A	508A	Remarks	Fig.No.	Parts No.	Parts Name	408A	508A	Remarks
701	1666-4213	Table 2 (upper)	1	1							
702	1666-4311	Table 2 lower Assy	1	1							
703	1666-4232	Table 2 upper cover	1	1							
704	1666-4233	Table 2 lower cover	1	1							
705	1666-4220	Interlock doc	1	1							
706	PNSW3 × 6	PNSW3 × 6	9	9							
707	3260-4240	Stopper plate Assy	1	1	0260-4240, 0260-4260						
708	0260-4360	Stopper cushion rubber	3	3							
709	BDPW4 × 8	BDPW4 × 8	2	2							
710	1281-0217	Table fine adjustment knob (large)	1	1							
711	0020-4310	Glomet bush	1	1							
712	0260-4080	Screw bearing	1	1							
713	0020-0790	Guide bush	1	1							
714	ER4	ER4	1	1							
715	PNSW3 × 12	PNSW3 × 12	1	1							
716	0020-1390	Half nut	1	1							
717	3281-0275	Slider Assy	1	1	1281-0275,00201360*2						
718	0020-1490	Half nut spring	1	1							
719	0260-4070	Table 2 screw	1	1							
720	T1N3	T1N3	1	1							
721	PNSW3 × 4	PNSW3 × 4	6	6							
722	ER5	ER5	2	2							
723	0067-0340	Canoe clip	2	2							
724	PNBT 2.5 × 6	PNBT 2.5 × 6	4	4							
725	SP2.5 × 15	SP2.5 × 10	1	1							
726	0260-4540	Stopper screw flange	1	1							
727	0020-1480	Stopper doc	1	1							
728	3260-4110	Stopper screw gear	1	1	0260-4110, 0260-4540						
729	0260-4120	Stopper shutter	1	1							
730	0260-4140	Idler center	1	1							
731	0260-4150	Idler pulley	1	1							
732	0260-4160	Idler pulley washer	1	1							
733	0260-4470	Fine adjustment knob indication for	1	1							
734	0260-4180	Timing belt 65MXL-4.8	2	2							
735	missing number										
736	missing number										
737	0020-4250	D2RV-L22	1	1							
738	0260-4530	Table 2 sheet	2	2							
739	0260-4230	Stopper original position LS tray	1	1							
740	missing number										
741	PNSWPW3 × 15	PNSWPW3 × 15	2	2							
742	PNDT4 × 20	PNDT4 × 20	4	4							
743	PNSWPW4 × 8	PNSWPW4 × 8	4	4							
744	1666-8045	Automatic folding table 2 gauge	1	1							
745	0260-6591	Table 2 photo board harness A'ssy	1	1							
	1666-4391	Folding table 2 Assy (mm)	1	1							