

**UCHIDA**

ProSource Packaging, Inc.  
14911 Stuebner Airline Suite A  
Houston, TX 77069  
800-203-0233  
[www.Machine-Solution.com](http://www.Machine-Solution.com)

**Parts List**

**Uchida Paper Folding Machine**

**Model 407A, 307A, 207M**

No1264-7000-00

2010/9/28

## Screw, nuts, washers, to be used for folders

Description of parts (screw, E-ring, spring pin, etc.) illustrated

\* Orders for screws, washers, etc. should be given based on a minimum lot of 30 per item to facilitate shipping.

(We ask that orders be given at one time for as many items as possible.)

Parts ref No.	Parts Name	Size	
RK	: Round head screw (30 pcs/set)	1-4mm	
		5mm or more	
RKSW	: Round head screw with spring washer (30 pcs/set)	1-4mm	
		5mm or more	
RKWS	: Flat washer and round head screw with spring washer (30 pcs/set)		
HB	: Hexagon head screw (30 pcs/set)		
SK	: Countersunk head screw (30 pcs/set)		
HS	: Hexagon socket set screw (30 pcs/set)		
BD	: Bind screw (30 pcs/set)		
TP	: Self-tapping screw (RKTP...pan head, SKTP...countersunk) (30 pcs/set)		
N	: Nut (30 pcs/set)	1-6mm	
		6mm or more	
SW	: Spring washer (30 pcs/set)		
W	: Flat washer (30 pcs/set)		
SP	: Spring pin (30 pcs/set)	1-3mm	
		4mm or more	
E	: E-type stopper ring (E ring) (30 pcs/set)	1-8mm	
		10mm	
ST	: Tap tight screw (RKST...pan head, RKST...countersunk) (30 pcs/set)		
WW	: Wave washer (30 pcs/set)		
RKPT	: P tight screw (30 pcs/set)		
	Cap screw (30 pcs/set)		

Example:

RKSW4x6-2 : Two round head screws with spring washer 4mm in diameter, 6mm long

RKWS4x8 : One round head screw with spring washer 4mm in diameter, 8mm long

HS4x6 : One hexagon socket set screw 4mm in diameter, 6mm long

N, SW4 : One each of spring washer 4mm in diameter plus nut

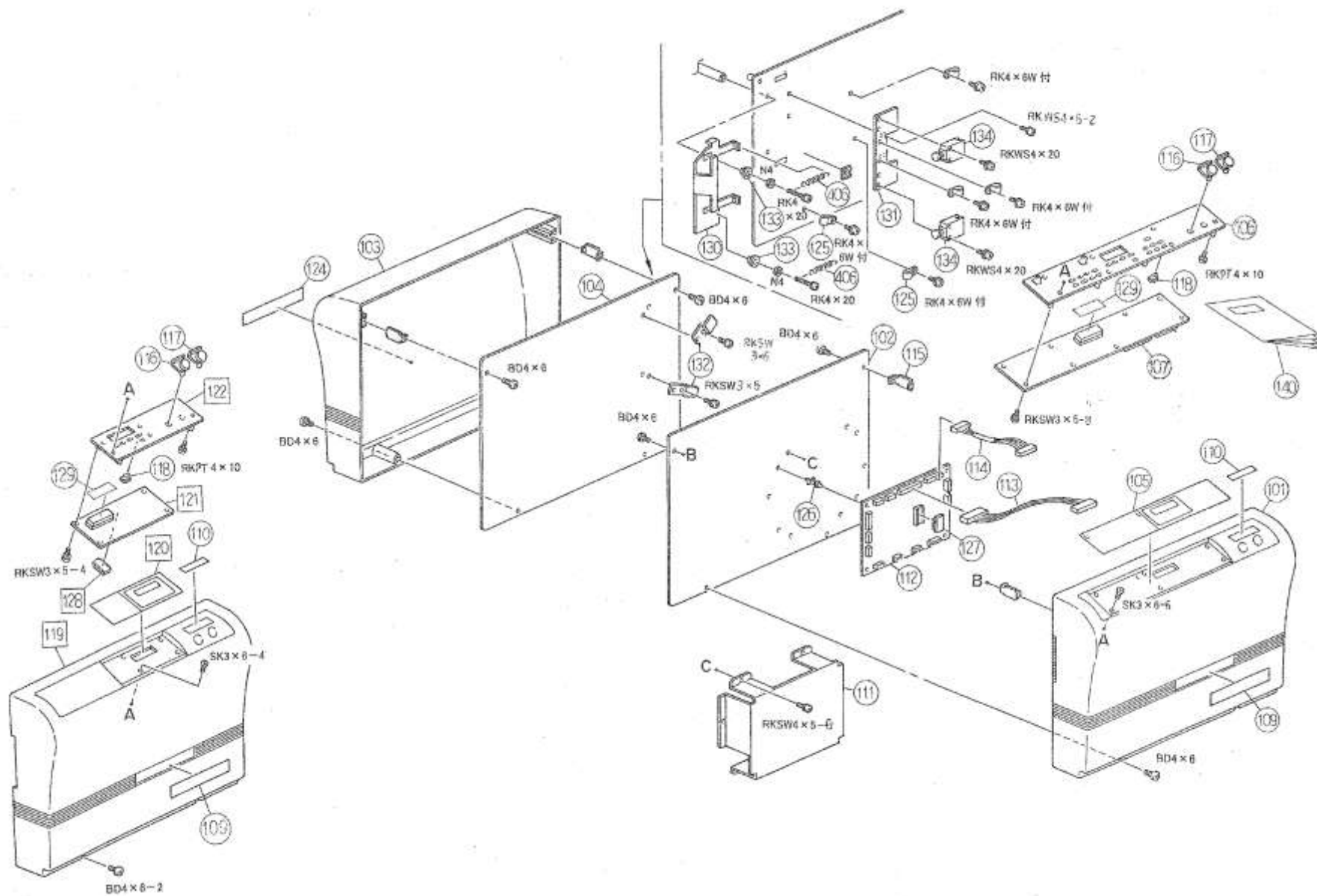
SP3x20 : One spring pin 3mm in diameter, 20mm long

E4-2 : Two 4mm E rings

[Note]

- Prices shown are unit prices for single parts. They do not include consumption tax.
- The parts within boxes □ are for 207M.

1. Exterior Section/Electrical Equipment Section I .....	1
2. Electrical Equipment Section II .....	3
3. Paper Feed Table Section/Paper Guide Section .....	5
4. Drive Unit .....	8
5. Table 1 and 2 Section .....	10
6. Manual Feed Section(Optional).....	15



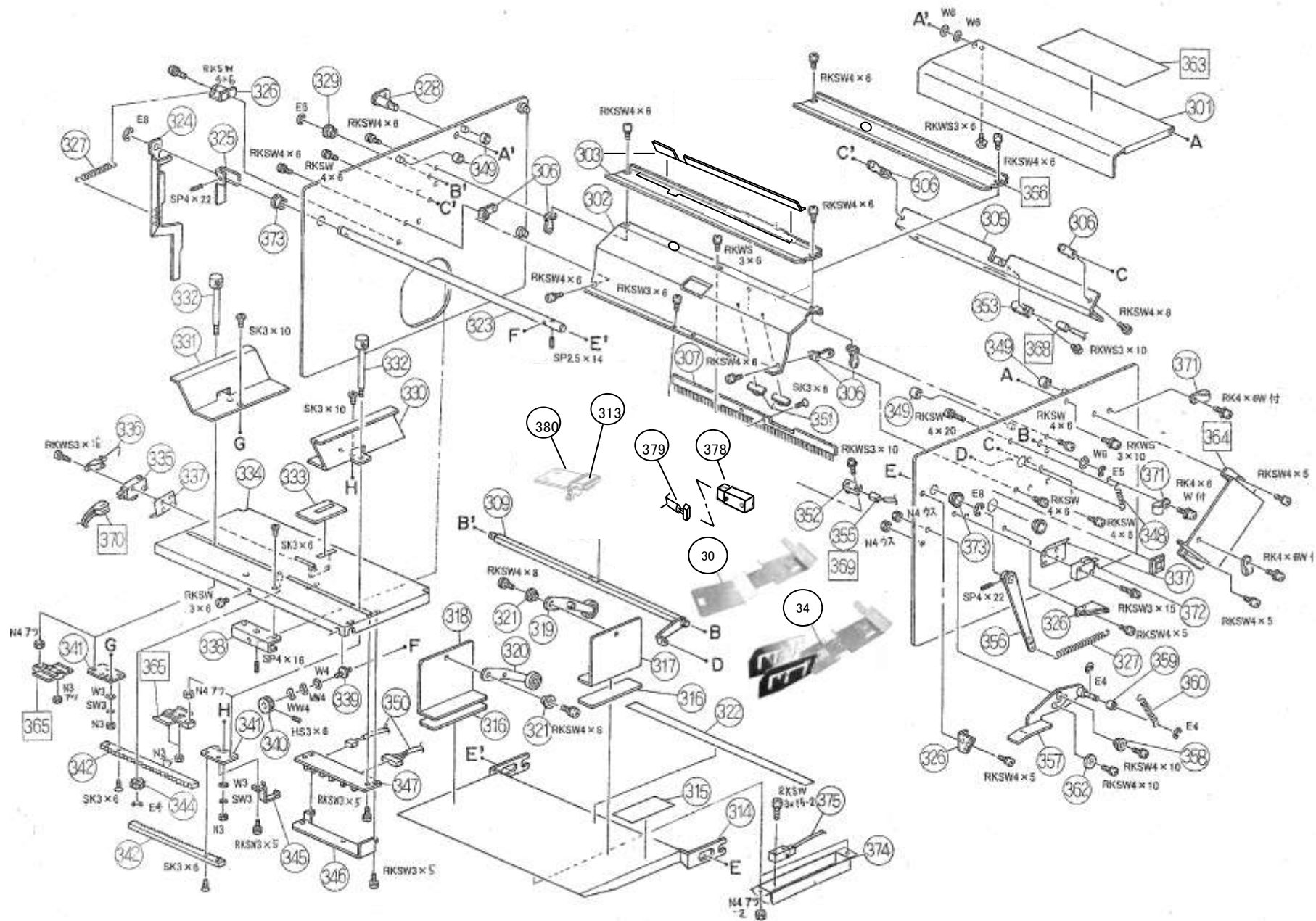
# 1. Exterior Section/Electrical Equipment Section I

Fig. No.	Parts No.	Parts name	407A	307A	207M	Remarks	Fig. No.	Parts No.	Parts name	407A	307A	207M	Remarks
101	260509	Right side cover	1			260507 2pieces	125	80731	Nylon clamp NK-7N	2	2	2	
	260503	Right side cover		1		260507 2pieces	126	321855	Board stut	4	4		
102	260101	Right side plate	1	1			127	260784	PF20·21ROM	1	1		
	260801	Right side plate			1		128	260902	PF22·23 chip			1	
103	260510	Left side cover	1	1	1	260507 2pieces		260905	PF24 chip				
104	260102	Left side plate	1	1			129	260838	Film	1	1	1	
	260802	Left side plate			1		130	260442	Interlock doc A	1	1	1	only for CE
105	260520	F45N operation identification plate	1				131	260441	Interlock holder	1	1	1	"
	260524	F43N operation identification plate		1			132	260444	Doc guard	2	2	2	"
106A	260623	Operation panel A'ssy	1			106,107,116-118	133	145183	Lever center	2	2	2	"
	260624	Operation panel A'ssy		1		106,107,116-118	134	100720	Interlock swtich	2	2	2	"
106	260539	Operation board mounitng plate	1			260512 8pieces	135	260443	Interlock doc B	2	2	2	"
	260541	Operation board mounitng plate		1		260512 8pieces	406	260128	Lift return SP	2	2	2	"
107	260701	Operation board	1	1									
							140	260614	407A/307A Operation Manual	1	1		
109	260530	UCHIDA identification plate	1	1	1			260615	207M Operation Manual			1	
110	260511	Start identification plate	1	1	1								
111	260518-2	Main board cover	1	1									
112	260702	Control board	1	1									
113	260750	Harness (large) between	1	1									
114	260751	the operationand control boards	1	1									
116	260513-1	Start key top (orange)	1	1	1								
117	260513-2	Start key top (green)	1	1	1								
118	260514	Setting eky top	19	16	5								
119	260518	Right side cover			1	260507 2pieces							
120	260813	F30N operation identification plate			1								
	260827	F15N operation identification plate											
	260823	F25N operation identification plate											
121A	260625	Operation panel A'ssy			1	116-118, 121, 122, 128							
	260626	Operation panel A'ssy				116-118, 121, 122, 128							
121	260901	PF22·23KEY board			1								
	260904	PF24KEY board											
122	260809	Board support			1	260512 4pieces							
	260819	Board support fitting w/o counter				260512 4pieces							
124	260543	Left side cover identification plate	1	1	1								



## 2. Electric Equipment Section II

Fig. No.	Parts No.	Parts name	407A	307A	207M	Remarks	Fig. No.	Parts No.	Parts name	407A	307A	207M	Remarks
201	260120	Rubber leg table	1	1	1		229	260934	115V main motor A'ssy			1	
202	51137	Rubber leg	4	4	4			260935	200V main motor A'ssy			1	
203	260915	Powe switch	1	1			230	260930	PF22 transformer110 A'ssy			1	
204	72806	Power cord for U.S.A.	1	1	1			260931	PF22 transformer120 A'ssy			1	
	72807	Power cord for Germany	1	1	1			260932	PF22 transformer CE A'ssy			1	
	72809	Power cord for Britain	1	1	1		231	260936	Inlet A'ssy			1	
	72810	Power cord for Austraila	1	1	1		232	260919	Power switch			1	
205	260757	Inlet with harness	1	1			233	20289	Earth mark	1	1	1	
206	PF1CE16	Noise filter	1	1	1		234	260763	Paper ejection roller motor harness	1			
207	260708	Breaker 1A	1	1	1		235	143032	Up and down lever A'ssy	1			143033,143102
	260709	Breaker 2A	1	1	1		236	67034	Canoe clip	2	2	2	
208	260768	Transformer with harness 120V	1	1									
	260769	Transformer with harness 230V	1	1									
209	260755	Paper feed motor with harness	1	1									
210	260123	Motor plate	1	1	1								
211	260121	Shutter plate A'ssy	1	1		146066,260129							
212	260758	Table 1 control board harness	1	1			125	80731	Nylon clamp NK-7N			4	
213	260759	Table 2 control board harness	1	1			337	250155	Microswitch insulating plate	2	2		
214	260505	Cover switch mounting plate	1	1	1								
215	20061	Motor pulley	1	1									
216	260113	Photo sensor mounting plate	1	1									
217	260222	Lifting arm	1			260223,260224							
218	260774	Rectifier	1	1									
219	260762	Paper feed table motor harness	1										
220	260917	Safety switch	1	1	1								
221	260778	Built-in photo sensor	1	1									
222	100351	Micro switch	3										
	100346	Micro switch		1									
223	260916	One touch bush	3	3	2								
224	260776	One touch bush	1	1									
225	20116	Reinforcing stay	2	2	2								
226	20012	Frame rubber	1	1	1								
227	260775	Cable clamp	3	3									
228	260811	Motor pulley AC			1								

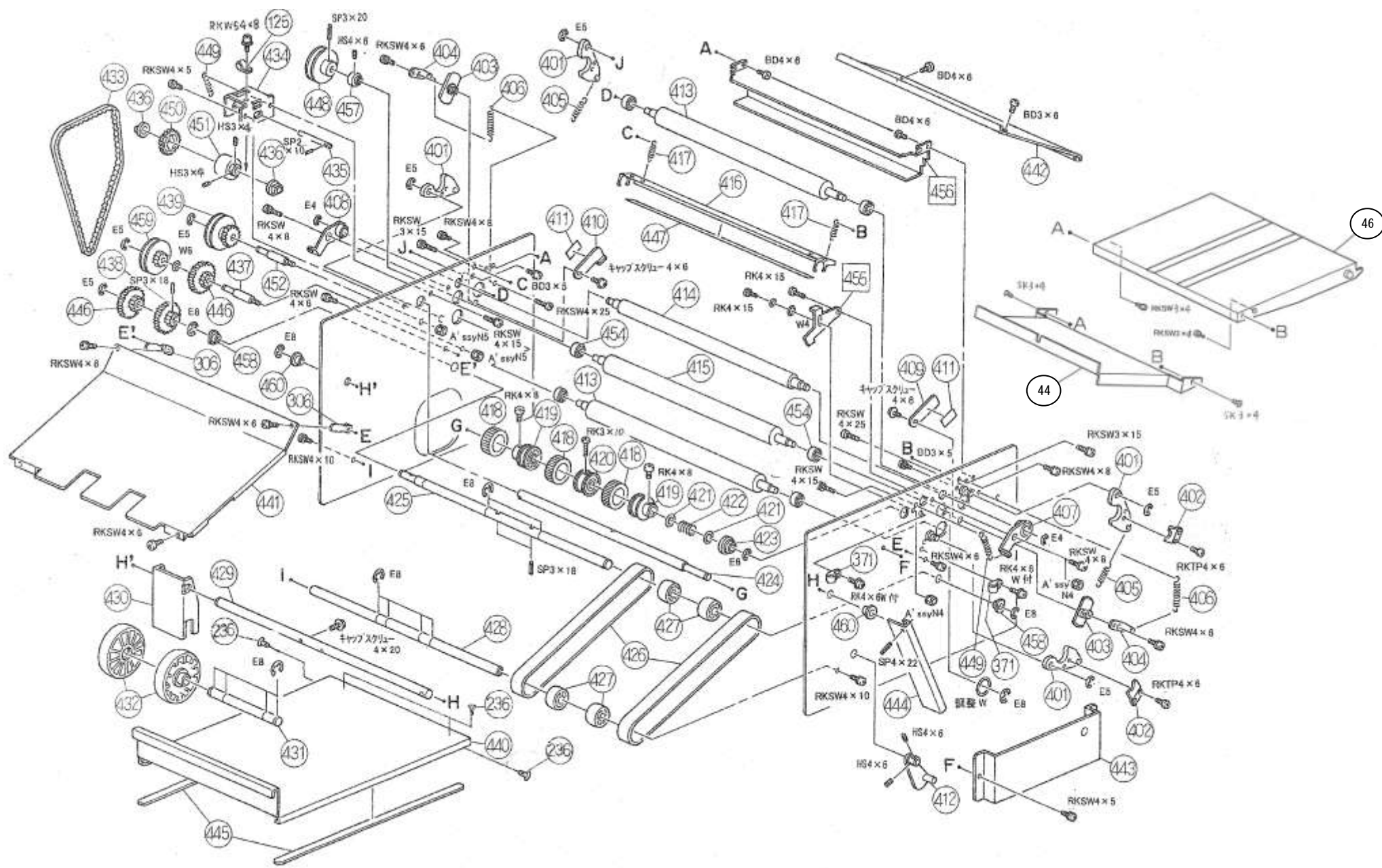




### 3. Paper Feed Table Section/Paper Guide Section

Fig. No	Parts No.	Parts name	407A	307A	207M	Remarks	Fig. No.	Parts No.	Parts name	407A	307A	207M	Remarks
301	260501	Safety cover	1	1	1		327	20076	Table SP	1	1	1	
302	3264-0084	Lower paper guide A'ssy	1	1			328	260544	Cover switch lever A'ssy	1	1	1	
	3264-0071	Lower paper guide A'ssy			1		329	20040	φ 6 metal	1	1	1	
303	3264-0515	Upper paper guide A'ssy	1	1			330	260215	Paper guide (right)	1	1	1	260217
304							331	260216	Paper guide (left)	1	1	1	260218
305	260301	Photo sensor mounting tray	1	1	1		332	260258	Paper guide knob	2	2	2	
306	20222	Guide mounting angle A	6	6	6		333	20099	Brake rubber	1	1	1	
307	260127	Static eliminator bar	1	1	1		334A	260630	Paper feed table A'ssy	1	1		330-337,341,342, 344-347,260252
308	260305	Upper paper ejection guide	1										
309A	260627	Separator shaft A'ssy	1	1	1	309-313							
309	3264-0074	Separator shaft	1	1	1			260662	Paper feed table A'ssy for U.S.A.	1	1		330-337,341,342, 344-347,260252
310													
311													
312							334	260208	Paper feed table	1	1		260211
313	70604	Paper separator	1	1	1	260837							
314A	260628	Auxiliary table A'ssy	1	1	1	314,315,322	335	20444	Microswitch	1	1	1	
	260629	Auxiliary table A'ssy for U.S.A.	1	1		314,315,322,374,375	336	20426	Actuator	1	1	1	
314	260226	Auxiliary table	1	1	1		337	250155	Microswitch insulating plate	2	2	2	
	260262	Auxiliary table A'ssy for U.S.A.	1	1	1	for U.S.A.	338	260213	Paper feed table tray	1	1	1	
315	260261	Slant adjustment plate	1	1	1		339	20071	Paper feed slant adjuster	1	1	1	
316	20105	Rubber magnet	2	2	2		340	20100	Slant adjustmen knob	1	1	1	
317A	20843	Auxiliary paper guide A'ssy	1	1	1	316,317,319,321	341	260250	Rack holder	2	2		
317	20103	Auxiliary paper guide (R)	1	1	1		342	260251	Rack	2	2		
318A	20844	Auxiliary paper guide (L) A'ssy	1	1	1	316,318,320,321	343	260304	Guide U paper ejection		1	1	
318	20104	Auxiliary paper guide (L)	1	1	1		344	260212	Paper guide slide guide gear	1	1		
319	20203	Paper holder lever (R) A'ssy	1	1	1		345	260249	Photograph sensor lever	1	1		
320	20204	Paper holder lever (L) A'ssy	1	1	1		346	260214	Paper detection board cover	1	1		
321	20034	F roller holder	2	2	2		347	260705	Paper detection board A'ssy(mm)	1	1		
322	260257	A3 scale	1	1	1			260706	Paper detection board A'ssy(inch)	1	1		for U.S.A.
	53018	Gauge for paper guide	1	1	1	for U.S.A.	348	20041	Separatr SP	1	1	1	
323	260220	Paper feed table shaft	1				349	220114	Stopper rubber	4	4	4	
	20069	Paper feed table shaft		1	1		350	260765	Paper detection board (mm) with harness	1			
324	260221	Table lever	1			260765A		Paper detection board (mm) with harness		1			
325	260255	Table lever angle	1			260766		Paper detection board (inch) with harness	1	1		for U.S.A.	
326	20075	Spring hook	1	2	2		351	20433	Wire sticker	2	2	2	

Fig. No.	Parts No.	Parts name	407A	307A	207M	Remarks	Fig. No.	Parts No.	Parts name	407A	307A	207M	Remarks
352	260912	Paper feed luminous sensor	1	1	1								
353	260913	Paper feed light-intercepting sensor	1	1	1								
354													
355	260753	Paper feed photo harness	1	1									
356	260254	Table lever A'ssy		1	1								
357A	260632	Paper feed table lever A'ssy		1	1	357-360,362							
357	20077	Paper feed table lever		1	1	20078							
358	215014	Table lever holder		1	1								
359	215015	Table lever roller		1	1								
360	20081	Paper feed table lever SP		1	1								
362	20080	Paper feed table lever holder		1	1								
363	260841	Separator identification plate											
364	260810	Wire stopper B			1								
365	260820	Guide			2								
366	0264-0080	Upper paper guide A			1								
367	260527	Roller position indication		1	1								
	260548	Roller position indication		1	1	for U.S.A.							
368	260926	Paper feed clutch harness A'ssy			1								
369	260927	Paper ejection photo sensor harness A'ssy			1								
370	260925	Paper micro harness A'ssy			1								
371	51062	Nylon clamp NK-4N	2	2									
372	100346	Micro switch		1									
373	20014	φ 10 mental	2	2	2								
374	20189	Sensor cover	1	1	1	for U.S.A.							
375	20442	Micro photo sensor KR1207	1	1	1	for U.S.A.							
378	7330-5008	Micro photo sensor KR866	1	1									
379	0260-7521	Paper feed photo harness	1	1									
380	3264-0082	Separator A'ssy	1	1	1	0070-6040 0264- 0077,0078,008 1							



## 4. Drive Unit

Fig. No.	Parts No.	Parts name	407A	307A	207M	Remarks	Fig. No.	Parts No.	Parts name	407A	307A	207M	Remarks
401	260109	Bearing holder	4	4	4		436	145414	Sintered metal B-F6-45	2	2	2	
402	260110	Bearing strap	2	2	2		437	0264-0031	Paper ejection pullet center	1	1	1	
403	260108	Lift cam	2	2	2		438	20017	Paper ejection gear	1	1	1	
404	260114	Lift cam spring lever	2	2	2		439	3264-0046	Paper feed gear A'ssy	1	1	1	0264-0042,0264-0047,0020-0540x2pieces
405	20029	Holder roller SP	2	2	2		440	3264-0134	Paper ejection table A'ssy	1	1	1	
406	260128	Lift return SP	2	2	2		441	0264-0141	Paper ejection lower guide	1	1	1	
407	260131	F roller holder (R)	1	1	1	260118, 260710	442	260517	Rear cover	1	1	1	
408	260132	F roller holder (L)	1	1	1	260118, 260710	443	260518-1	Wire stopper	1	1		
409	260111	Lift cam lever right	1	1	1		444	260309	Paper ejection roller lever	1			
410	260112	Lift cam lever left	1	1	1		445	260318	Paper ejection table insulating plate	2	2	2	
411	260130	cam lever sheet	2	2	2		446	20018	Speed reduction gear	2	2	2	
412	260311	Paper ejection arm A'ssy	1			260224, 260311,260312	447	20033	Interceptor plate	1	1	1	
413	0264-0048	Holder roller	2	2	2	51009 2 pieces	448	0264-0032	Center roller pulley	1	1	1	
414	0264-0049	F roller	1	1	1		449	20035	F roller SP	2	2	2	
415	0264-0043	Center roller	1	1	1		450	260205	Paper feed gear	1	1	1	
416	260119	Interceptor	1	1	1		451	145403	Paper feed clutch	1	1	1	
417	260126	Interceptor spring	2	2	2		452	260103	Paper feed puller center	1	1	1	
418	70608	Paper feed roller	3	3	3								
419	260207	Auxiliary paper feed roller	2	2	2		454	260711	Bearing with snap 6900ZNR	2	2	2	
420	70601	Paper feed rubber roller	1	1	1		455	260807	Separator OFF lever				
421	145234	Paper feed shaft SP collar	2	2	2		456	260805	Roller cover for single folding				
422	145233	Paper feed shaft SP	1	1	1		457	146067	Shutter plate boss	1	1	1	
423	145232	Paper feed bearing	1	1	1		458	145417	Sintered metal B-F10-9	2	2	2	
424	260239	Paper feed shaft	1	1	1		459	3264-0034	Idler pulley for papper feed	1	1	1	0264-0035,0264-0041,0020-0540x2pieces
425	260306	Paper ejection shaft	1	1	1		460	20014	φ 10 metal	2			
426	260320	Paper feed conveying belt	2	2	2		461	0264-0133	Paper Ejection Table				
427	260302	Lower paper ejection roller	4	4	4								
428	20020	Lower paper ejection roller	1	1	1								
429	260307	Roller moving shaft	1										
430	260308	Paper ejection roller holder	1										
431A	260633	Paper ejection U roller shaft A'ssy	1	1	1	431,432							
431	260303	Paper ejection U roller shaft	1	1	1								
432	20117	Paper ejection roller	2	2	2		125	80731	Nylon clamp NK-7N	1	1	1	
433	5264-0402	V belt	1	1	1		236	67034	Canoe clip	2	2	2	
434	260203	Clutch bracket	1	1	1		306	20222	Guide fitting angle A	2	2	2	
435	260240	Clutch shaft	1	1	1		371	51002	Nylon clamp NK-4N	2	2		

TABLE 1 (407A/307A)

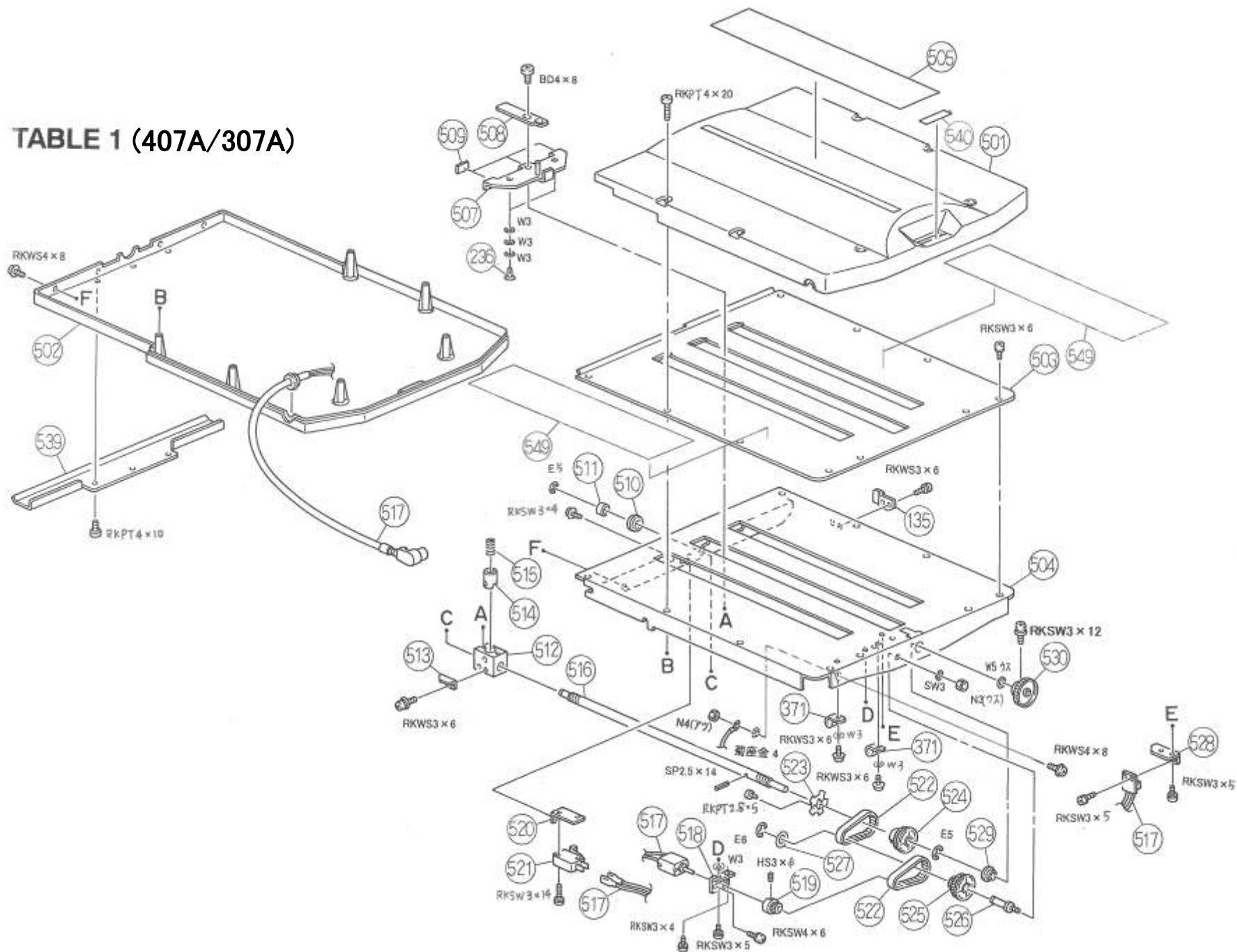


TABLE 2 (407A/307A)

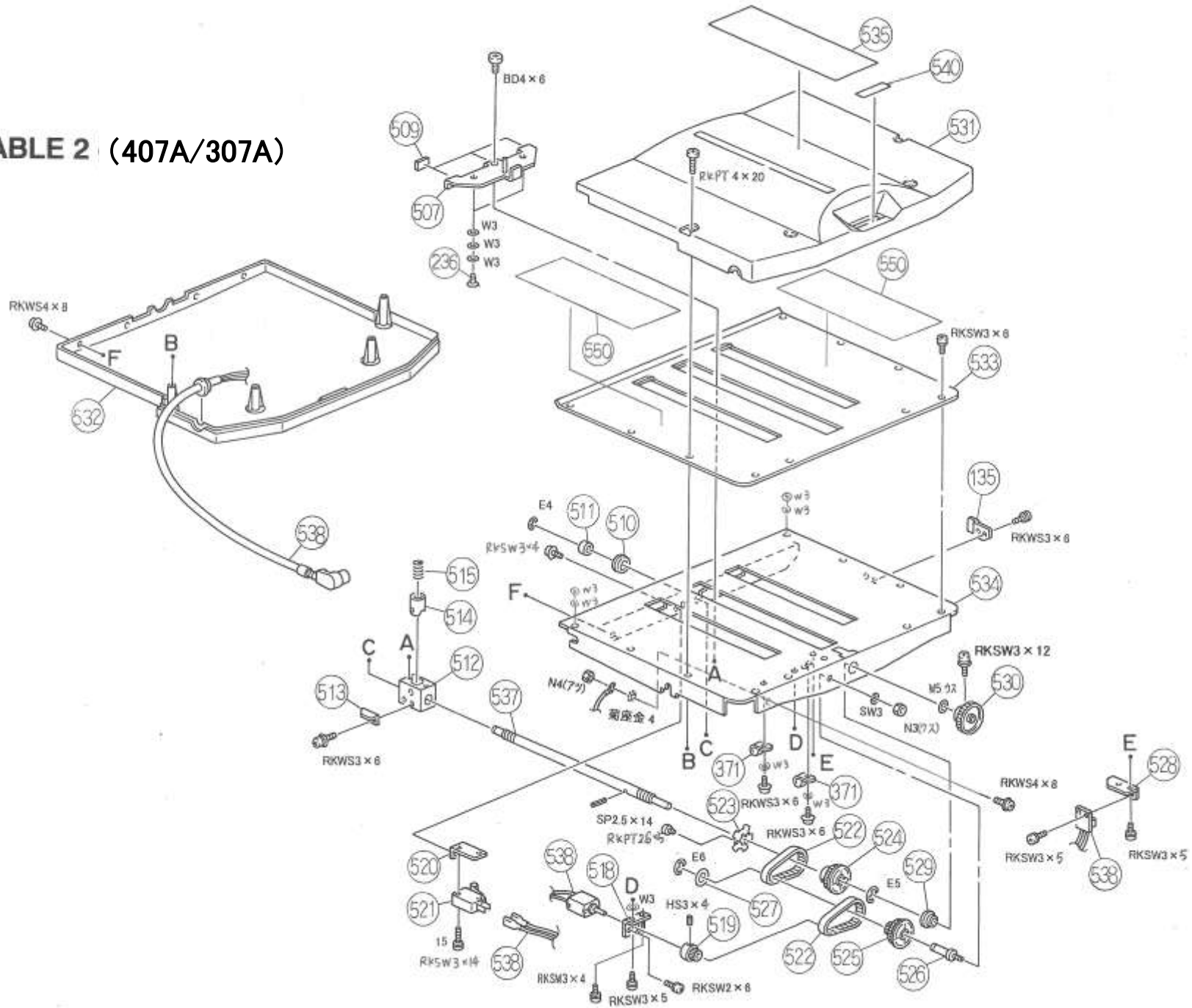


TABLE 2 (207M)

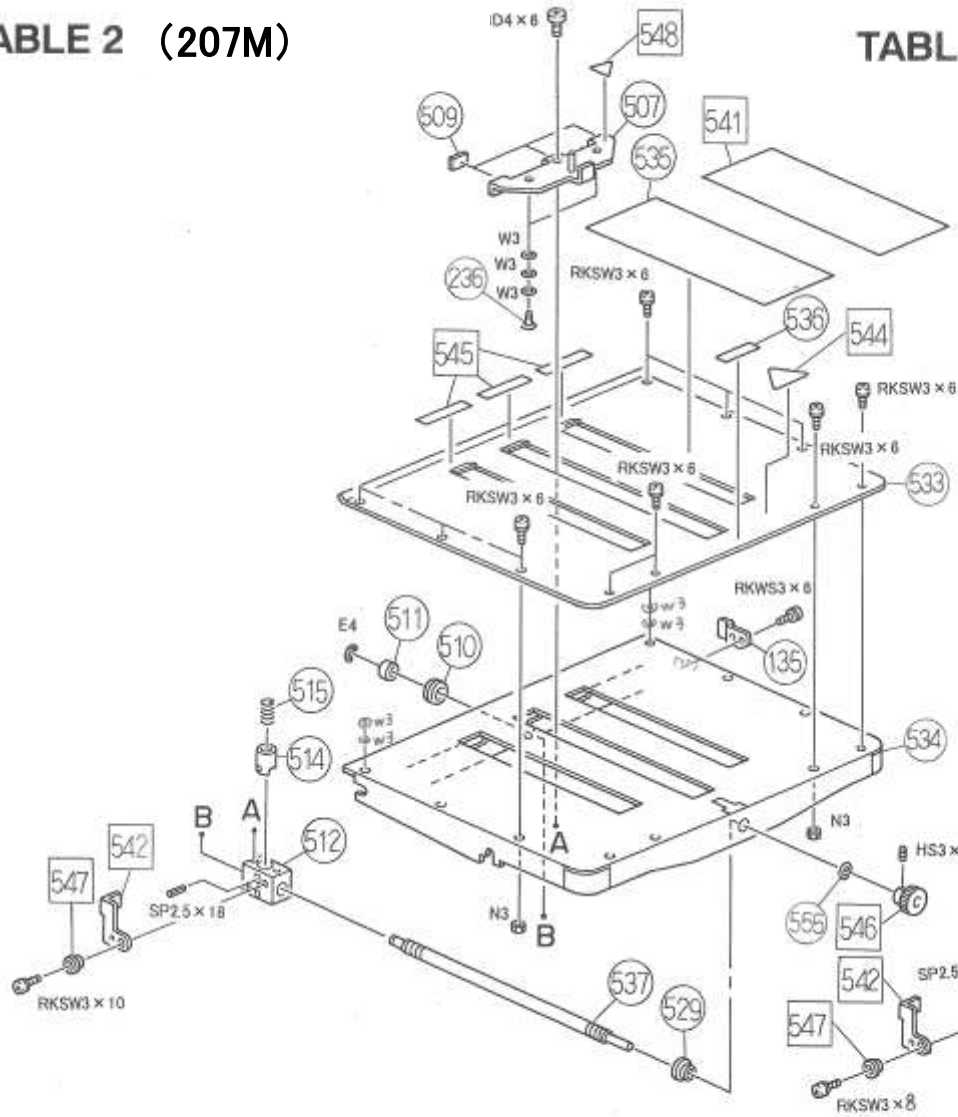
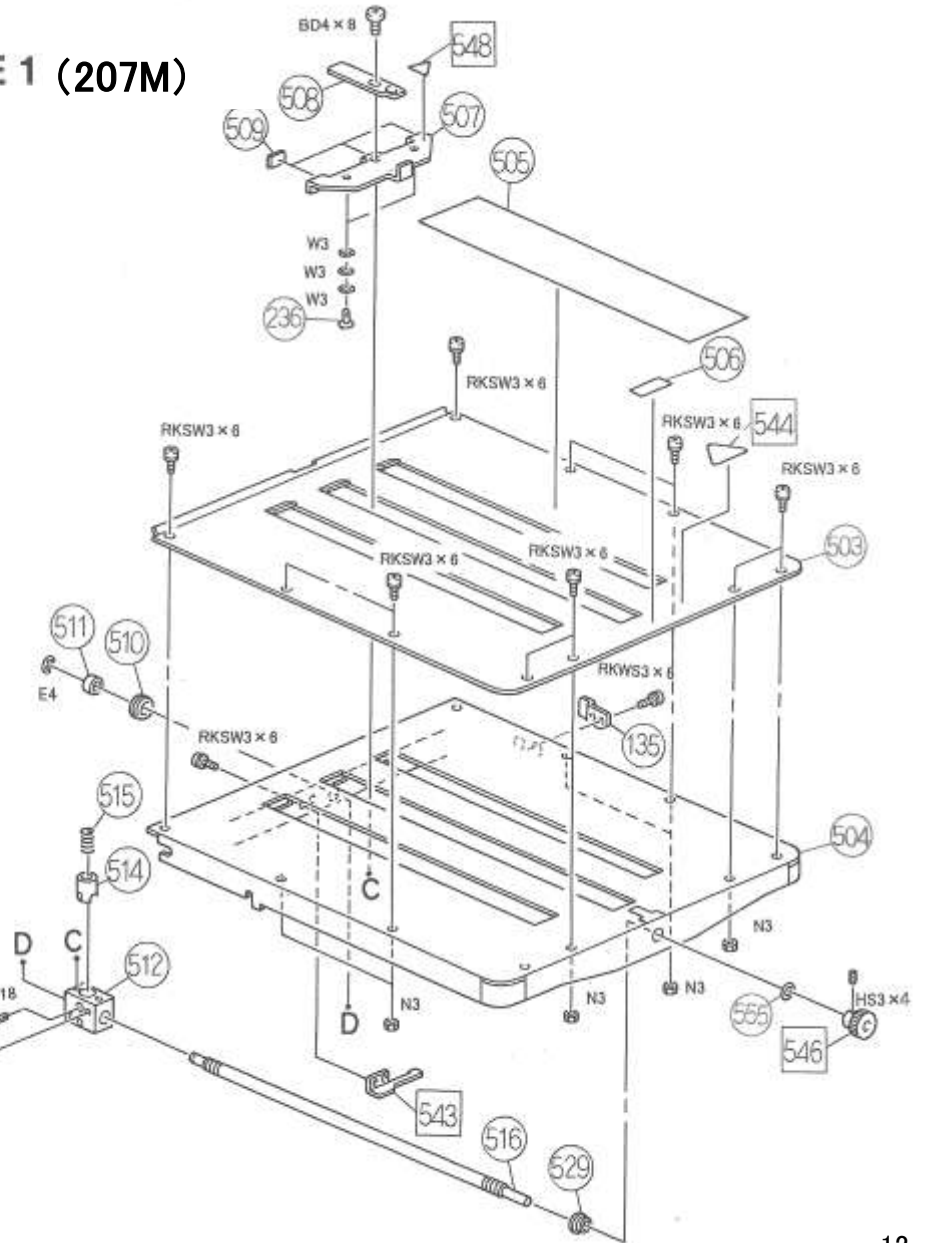


TABLE 1 (207M)

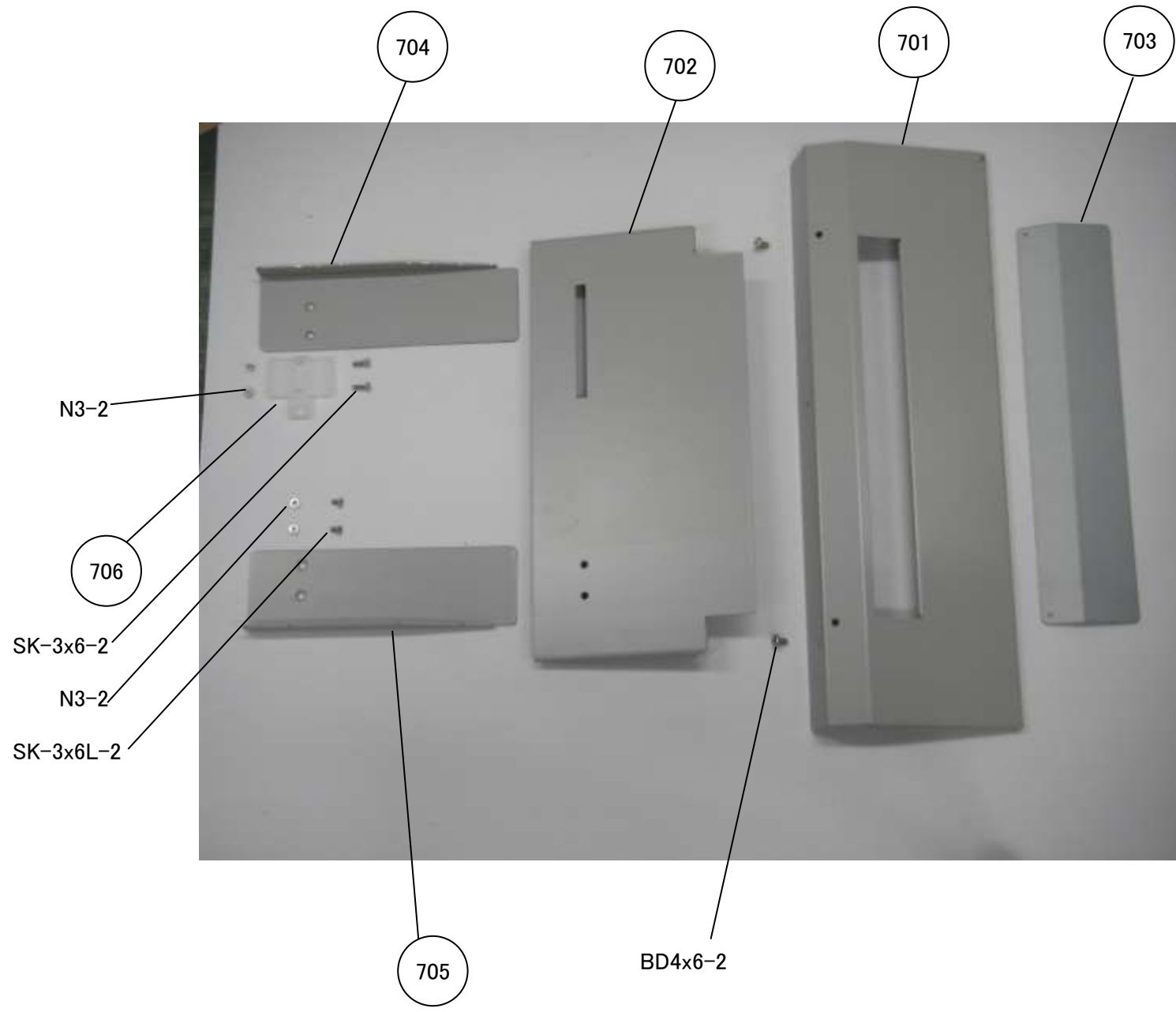


## 5. Table 1 and 2 Section

Fig. No.	Parts No.	Parts name	407A	307A	207M	Remarks	Fig. No.	Parts No.	Parts name	407A	307A	207M	Remarks
501A	260635	Table 1 A'ssy				501-505,507-530, 539,540,549,236,371	512	260410	Stopper slider	2	2		
	260636	Table 1 A'ssy (for U.S.A.)	1	1		501-505,507-530, 539,540,549,236,371	513	20148	Stopper doc	2	2		
							514	20139	Half nut	2	2	2	
	0260-8562	Table 1 A'ssy (CE)				501-505,507-530,539, 540,549,135,236,371	515	20149	Halfnut SP	2	2		
								260848	Halfnut SP				2
	260638	Table 1 A'ssy				503-505,507-512, 514-516,529,540, 542-544,546-548,236	516	260406	Table 1 screw	1	1	1	
							517A	260648	Table 1 photo board harnessA'ssy	1	1		517-519
	260639	Table 1 A'ssy (for U.S.A.)			1	503-505,507-512, 514-516,529,540, 542-544,546-548,236	517	260760	Table 1 photo board harness	1	1		
							518	260409	Screw-operating motor mounting plate	2	2		
	0260-8563	Table 1 A'ssy (CE)				503-505,507-512, 514-516,529,540,542 -544,546-548,135,236	519	260417	Motor pulley	2	2		
520							260423	Stopper original position LS tray	2	2			
521							20425	Lead micro switch	2	2			
501	260429	Table 1 cover (upper)	1	1			522	260418	Timing belt	4	4		
							523	260412	Stopper shatter	2	2		
							524	260411	Stopper screw gear	2	2		260454
502	260430	Table 1 cover (bottom)	1	1			525	260415	Idler pulley	2	2		
503	260401	Table 1 (upper)	1	1	1		526	260414	Idelr center	2	2		
504	260402	Lower table 1	1	1			527	260416	Idler puller washer	2	2		
	260816	Lower table 1			1		528	260420	Stopper board mounting plate	2	2		
505	260434	Table 1 folding position gauge	1	1	1		529	260408	Screw bearing	2	2	2	
	260449	Inch size 1 folding gauge	1	1	1	for U.S.A.	530	260428	Table fine adjustment knob (large)	2	2		
507A	260641	Table 1 stopper A'ssy	1	1		507-509,549	531A	260650	Table 2 A'ssy				507,509-515,518-535, 537,538,540,550,236,371
	260642	Table 2 stopper A'ssy	1	1		507,509,549		260651	Table2 A'ssy(for U.S.A.)	1	1		507,509-515,518-535, 537,538,540,550,236,371
	260643	1table stopper A'ssy			1	507-509,548,549		0260-8564	Table2 A'ssy(CE)				507,509-515,518-535,537, 538,540,550,135,236,371
	260644	2table stopper A'ssy			1	507,509,548,549							
507	260424	Stopper plate	2	2		260426						507,509-512,514,515, 529,533-535,537,540, 542,544-548,555,236	
	260424	Stopper plate			2								
508	260425	Push plate	1	1	1			260653	Table 2 A'ssy				507,509-512,514,515, 529,533-535,537,540, 542,544-548,555,236
509	260436	Stopper cushion rubber	6	6	6								
510	20431	Glomet bush	2	2	2								
511	20079	Guide push	2	2	2								
512A	260645	Stopper slider A'ssy	2	2		512-515		260654	Table 2 A'ssy(for U.S.A.)			1	529,533-535,537,540, 542,544-548,555,236
	260646	Stopper slider A'ssy			2	512,514,515,542,547							



Fig. No.	Parts No.	Parts name	407A	307A	207M	Remarks	Fig. No.	Parts No.	Parts name	407A	307A	207M	Remarks
531A	0260-8565	Table2 A'ssy (CE)				507,509-512,514,515, 529,533-535,537,540, 542,544-548,555,135,236							
	260656	Table 2 A'ssy				507,509-512,514,515,529,533,534, 537,540-542,544-548,555,236							
	260657	Table 2 A'ssy (for U.S.A.)				507,509-512,514,515,529,533,534, 537,540-542,544-548,555,236							
	0260-8566	Table2 A'ssy (CE)				507,509-512,514,515,529,533,534, 537,540-542,544-548,555,135,236							
531	260431	Table 2 cover up	1	1									
532	260432	Lower table 2 cover	1	1									
533	260403	Upper table 2 cover	1	1	1								
534	260404	Lower table 2	1	1									
	260818	Lower table 2			1								
535	260435	Table 2 folding position gauge	1	1	1								
	260450	Inch size single folding gauge	1	1	1	for U.S.A.							
537	260407	Table 2 screw	1	1	1								
538A	260659	Table 2 photo board harness A'ssy	1	1		518,519,528,538							
538	260761	Table 2 photo board harness	1	1									
539	260508	Roller cover	1	1									
540	260447	Fine adjustment knob indication for export	2	2	2								
541	260821	Table 2 folding position gauge											
542	260804	Halfnut lever			2								
543	260806	Table 1 stop plate			1								
544	100710	Hand caution label			2								
545	100707	Roller caution label			3								
546	260835	Fine adjustment knob			2								
547	260808	Halfnut lever collar			2								
548	20155	Fold position indication identification plate			2								
549	260452	Table 1 sheet	2	2									
550	260453	Table 2 sheet	2	2									
236	67034	Canoe clip	4	4	4								
371	51062	Nylon clump NK-4N	4	4									



### 6. Manual Feed Section (Option)

Fig. No.	Parts No.	Parts name	407A	307A	207M	Remarks	Fig. No.	Parts No.	Parts name	407A	307A	207M	Remarks
701	0264-0537	Cover for MBM, safety cover for manual feed											
702	0264-0518	Paper guide for manual feed mounting plate											
703	0264-0533	Safety cover lid											
704	0264-0519	Paper guide for manual feed (R)				0264-0521 mounted							
705	0264-0520	Paper guide for manual feed (L)				0264-0521 mounted							