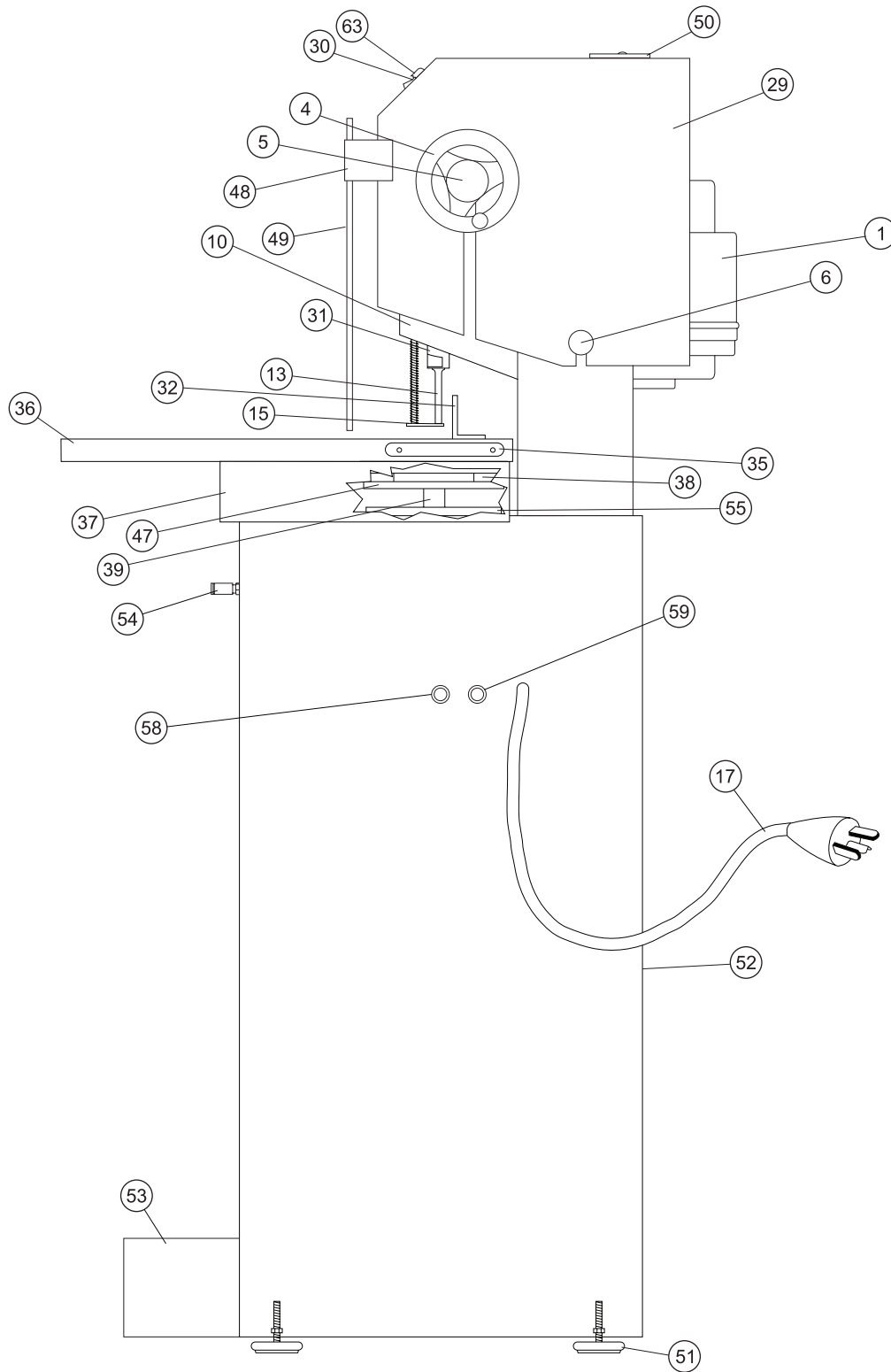


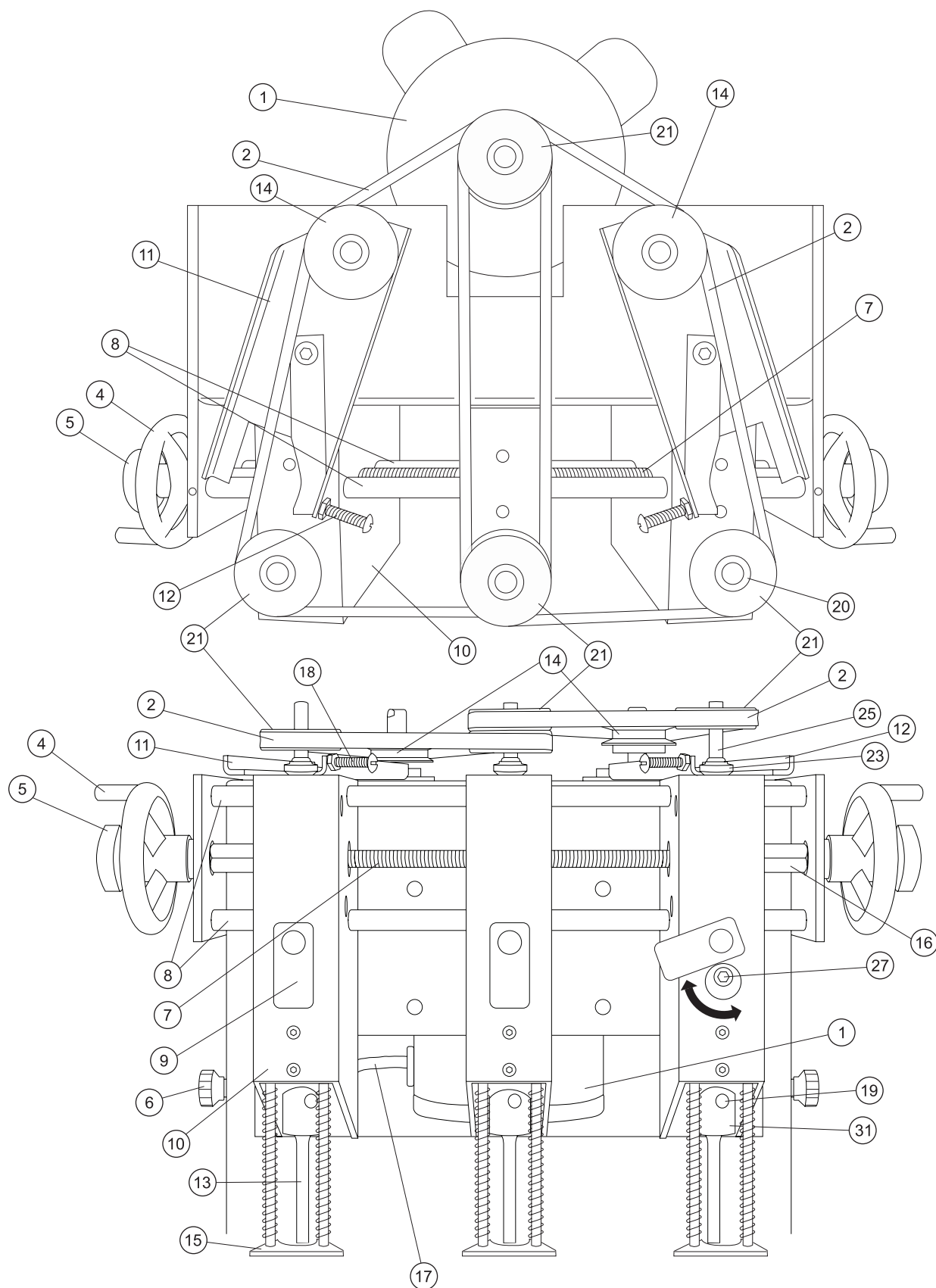
Parts Diagram Lassco-Wizer FMMH-3

Side View



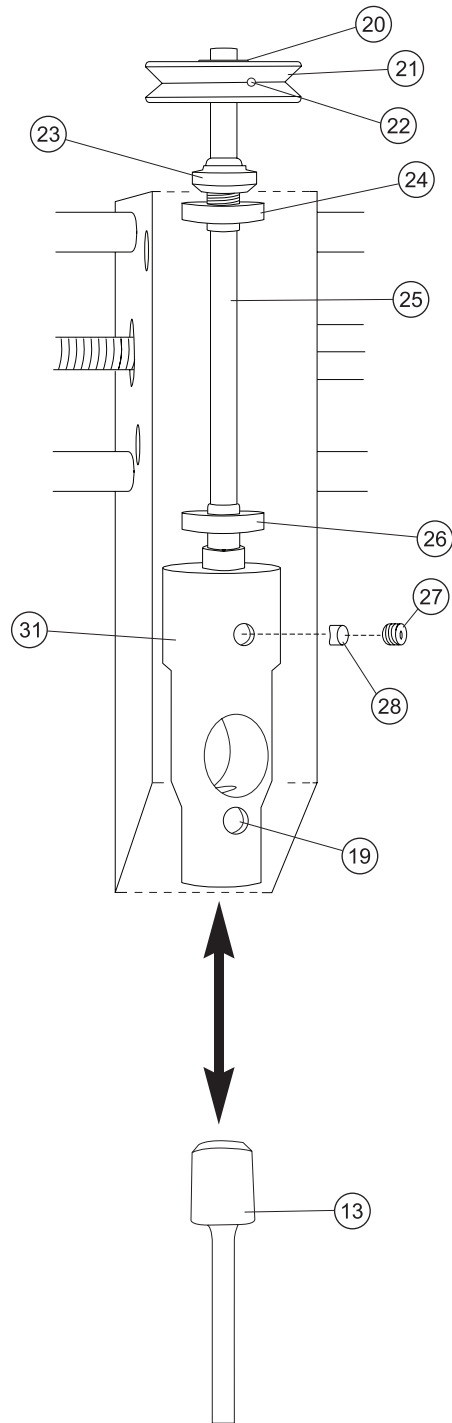
Parts Diagram Lassco-Wizer FMMH-3

Head Assembly



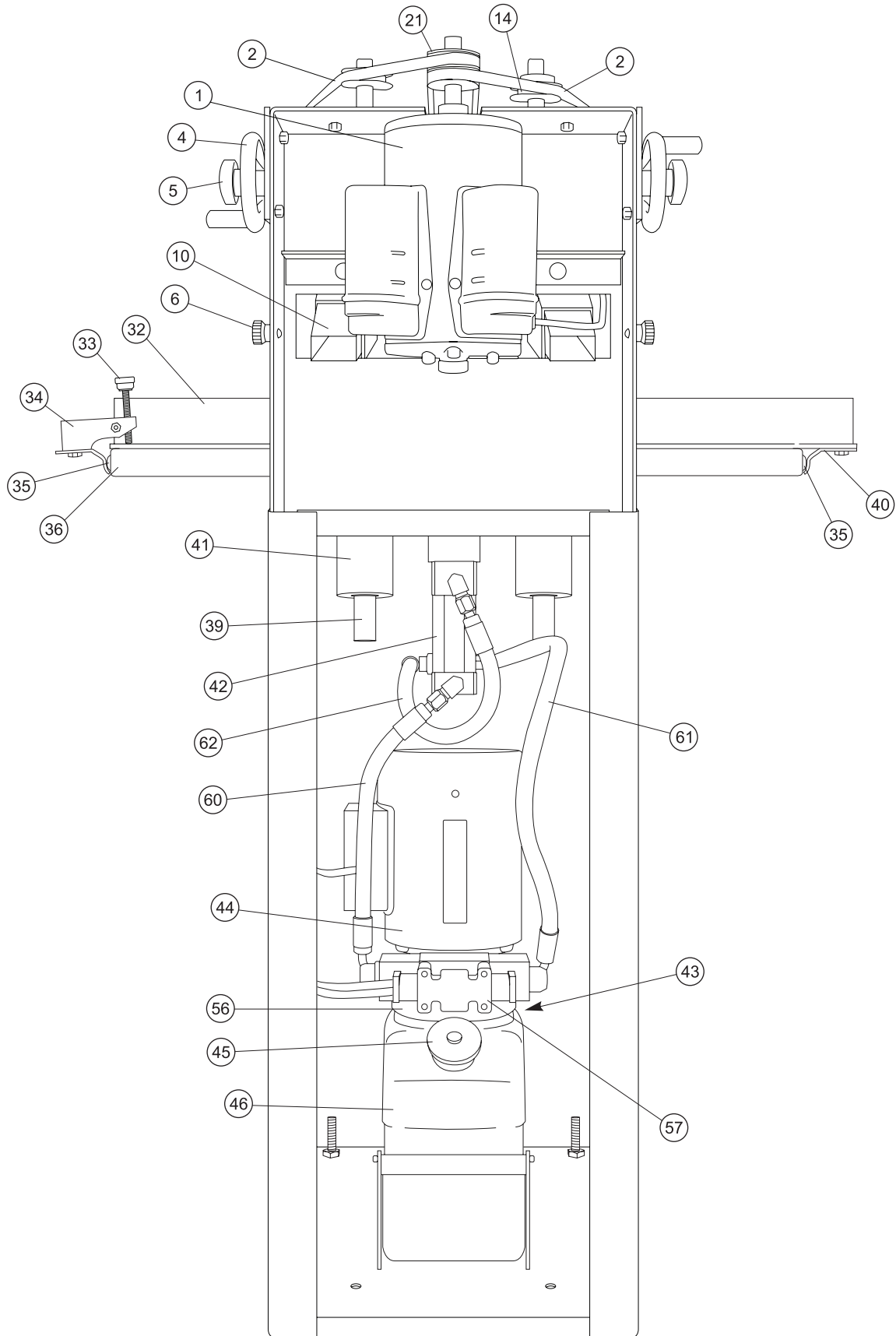
Parts Diagram Lassco-Wizer FMMH-3

Spindle and Chuck Assembly



Parts Diagram Lassco-Wizer FMMH-3

Rear View



Parts Diagram Lassco-Wizer FMMH-3

Parts List

- | | |
|--|---|
| ① FMM9-9534: Motor | ③⑥ FMH-4000: Table |
| ② FMM9-9530: Drive Belt | ③⑦ FMH-3017: Safety Apron |
| ③ N/A | ③⑧ FMH-3018: Table Bolster |
| ④ FMM8-8504: Hand Wheel | ③⑨ FM3-3004: Die Pin |
| ⑤ FMM8-8508: Hand Wheel Lock Knob | ④⑩ FM7-7002: Backgauge Clamping Bracket |
| ⑥ FMM9-9517: Shroud Locking Knob | ④① FM3-3007: Pin Housing |
| ⑦ FMM8-8503: Traverse Lead Screw | ④② FMH-2014: Hydraulic Cylinder |
| ⑧ FMM8-8502: Traverse Rods | ④③ FMH-2016: Hydraulic Pump (Not Shown) |
| ⑨ FMM5-5512: Access Cover | ④④ FMH-2020: Hydraulic Motor |
| ⑩ FMM5-5506: Housing | ④⑤ Cap for Tank |
| ⑪ FMM9-9500: Left Pivot Channel | ④⑥ FMH-2015: Tank |
| ⑫ FMM9-9502: Right Pivot Channel | ④⑦ FMH-3001: Top Die Shoe |
| ⑬ Misc: Hollow Drill Bit | ④⑧ FM-90: Guard Bracket |
| ⑭ FMM9-9506: Idler Pulley | ④⑨ FM-93: Protective Guard |
| ⑮ FM6-600A: Pressure Foot Assembly | ④⑩ FM-95: Access Guard |
| ⑯ FMM8-8506: Traverse Stop | ④① 50-59: Leveling Feet |
| ⑰ FMH-5008: Cord Set | ④② FMH-1000: Stand |
| ⑱ Cam Adjustment Screw (Belt Adjustment) | ④③ FMP2-2015: Foot Pedal Guard |
| ⑲ Chuck Release Hole | ④④ FMP2-2005: Flow Control Valve |
| ⑳ FMM9-9514: Pulley Bushing | ④⑤ FMH-3000: Bottom Die Shoe |
| ㉑ FMM9-9505: Pulley | ④⑥ FMH-2017: Adapter Pad |
| ㉒ 1/4 x 20 x 3/8 Socket Set Screw | ④⑦ FMH-2010: Control Valve |
| ㉓ FMM5-5503: Bearing Nut | ④⑧ FMH-83: 12 Amp Fuse |
| ㉔ FMM5-5501: Top Bearing | ④⑨ FMH-82: 8 Amp Fuse |
| ㉕ FMM5-5513: Spindle | ④⑩ FMH-2008: 13.5" Hose Assembly |
| ㉖ FMM5-5502: Bottom Bearing | ④① FMH-2007: 10" Hose Assembly |
| ㉗ FMH-5517: Insert Retainer Screw | ④② FMH-2009: 18" Hose Assembly |
| ㉘ FMH-5515: Insert | ④③ FMH-1050: Switch Guard |
| ㉙ FMH-952A: Shroud Assembly | |
| ⑳ FM5-5006: On/Off Rocker Switch | |
| ㉑ FMH-5514: Chuck | |
| ㉒ FM7-70A: Back Gauge Assembly | |
| ㉓ FM7-7005: Backgauge Knob | |
| ㉔ FM7-7003: Clamp Bar | |
| ㉕ FM4-4003: Side Iron | |