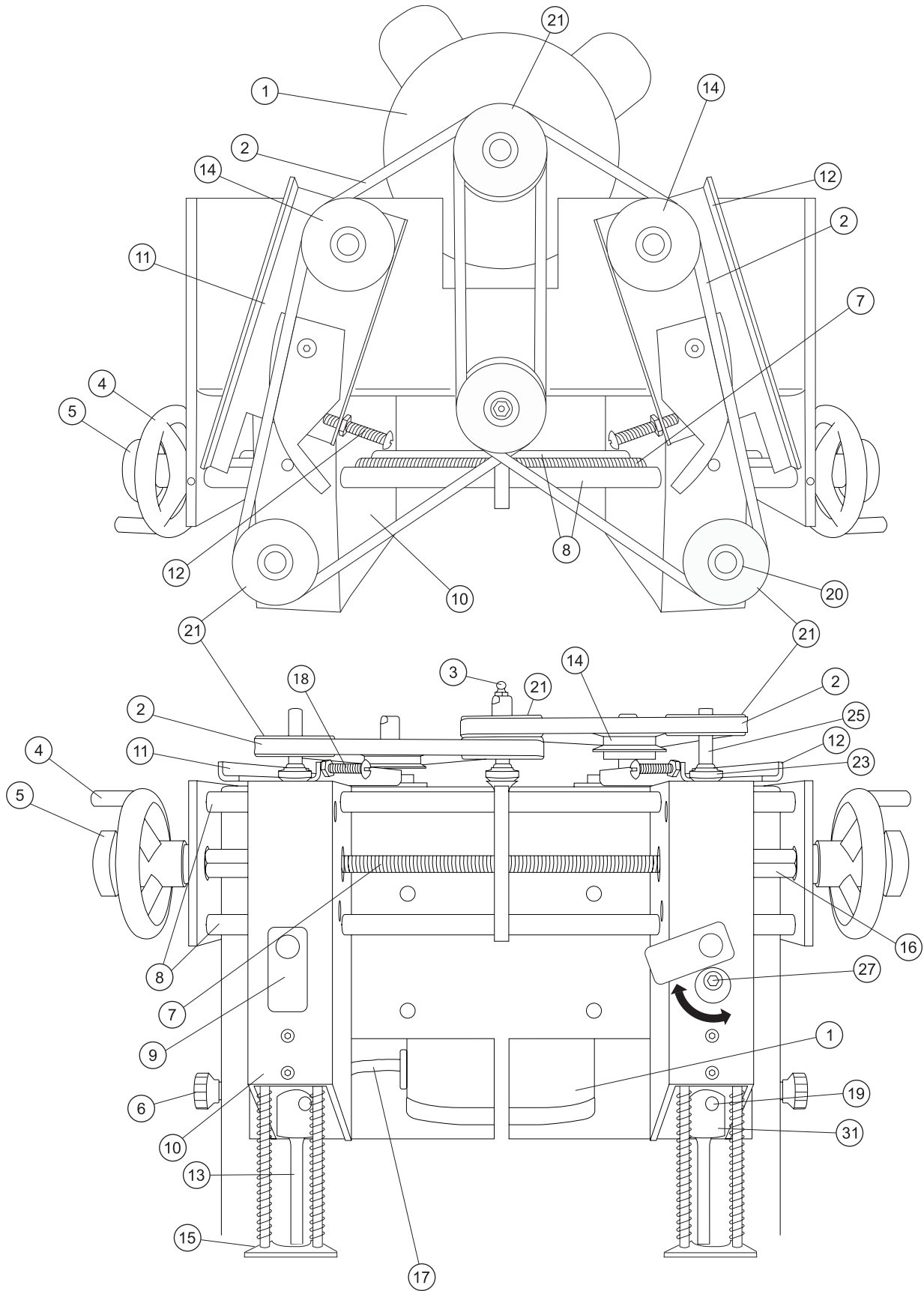


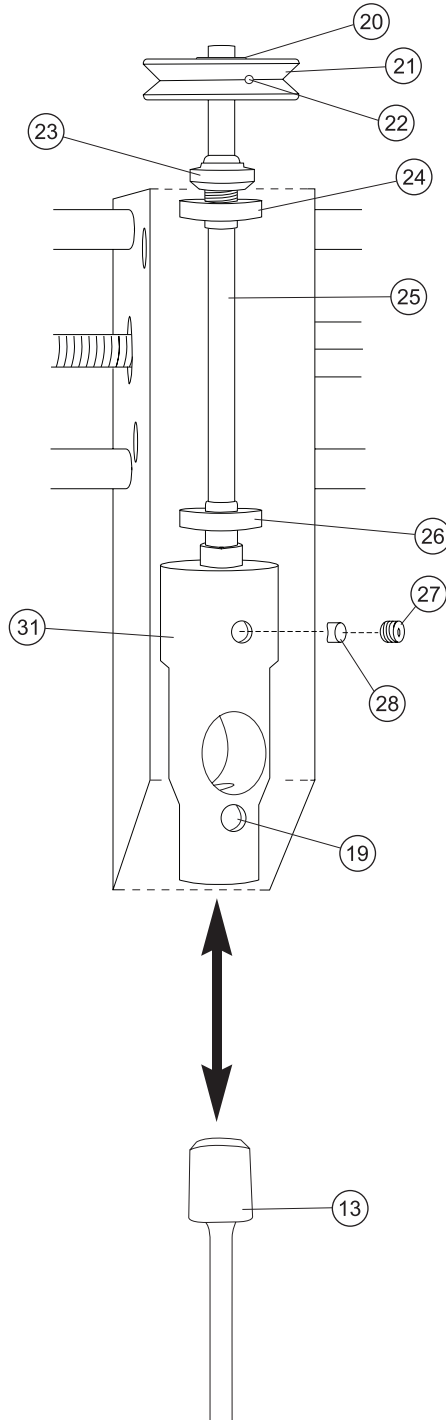
Parts Diagram - Lassco-Wizer FMM-2

Head Assembly



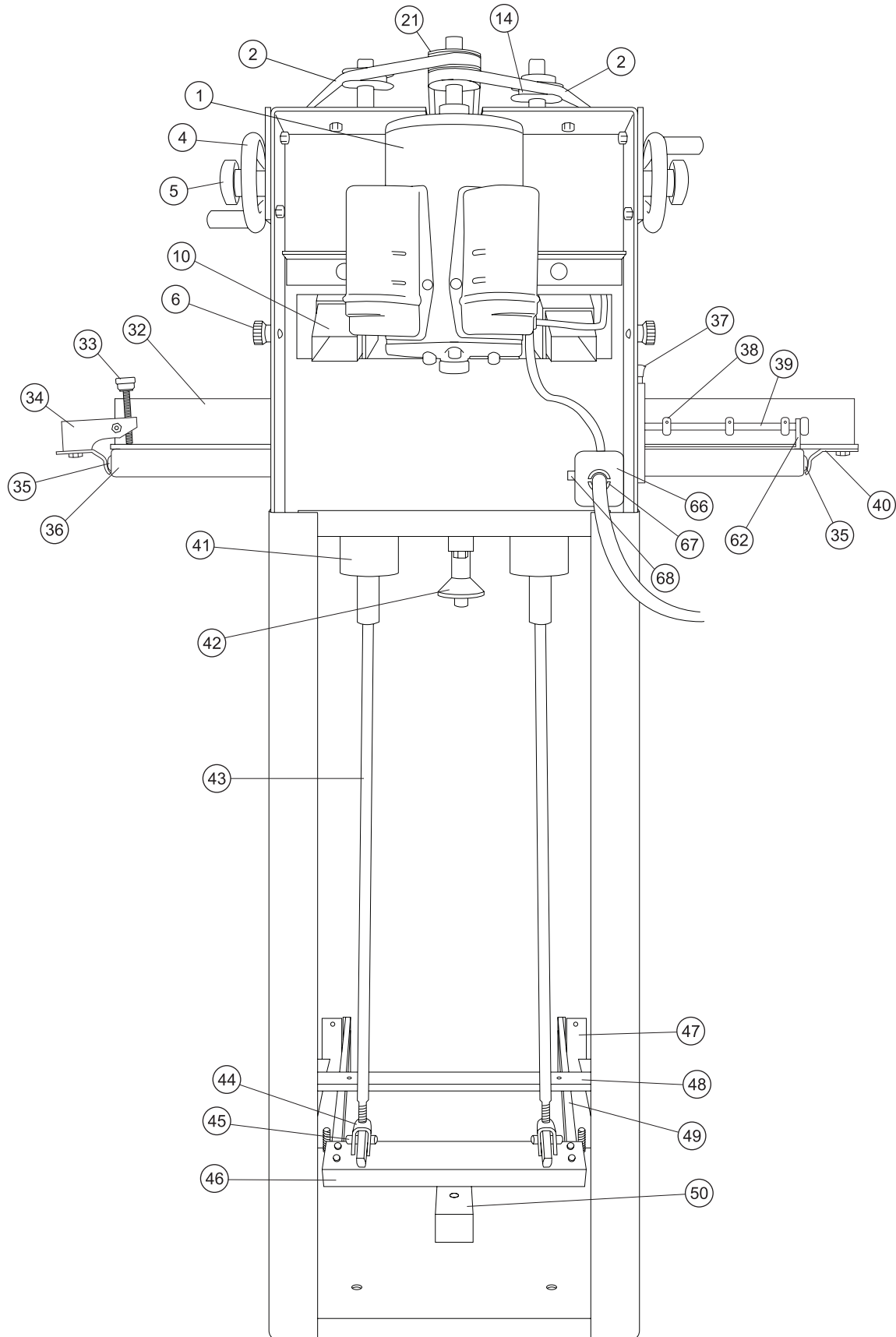
Parts Diagram - Lassco-Wizer FMM-2

Spindle and Chuck Assembly



Parts Diagram - Lassco-Wizer FMM-2

Rear View



Parts Diagram - Lassco-Wizer FMM-2

Parts List

- ① FMM9-9534: Motor
- ② FMM9-9513: Drive Belt
- ③ N/A
- ④ FMM8-8504: Hand Wheel
- ⑤ FMM8-8508: Hand Wheel Lock Knob
- ⑥ FMM9-9517: Shroud Locking Knob
- ⑦ FMM8-8503: Traverse Lead Screw
- ⑧ FMM8-8502: Traverse Rods
- ⑨ FMM5-5512: Access Cover
- ⑩ FMM5-5506: Housing
- ⑪ FMM2-9500: Left Pivot Channel
- ⑫ FMM2-9502: Right Pivot Channel
- ⑬ Misc: Hollow Drill Bit
- ⑭ FMM9-9506: Idler Pulley
- ⑮ FM6-600A: Pressure Foot Assembly
- ⑯ FMM8-8508: Traverse Stop
- ⑰ FMM9-9516: Cord Set
- ⑱ Cam Adjustment Screw (Belt Adjustment)
- ⑲ Chuck Release Hole
- ⑳ FMM9-9514: Pulley Bushing
- ㉑ FMM9-9505: Pulley
- ㉒ 1/4 x 20 x 3/8 Socket Set Screw
- ㉓ FMM5-5503: Bearing Nut
- ㉔ FMM5-5501: Top Bearing
- ㉕ FMM5-5513: Spindle
- ㉖ FMM5-5502: Bottom Bearing
- ㉗ FMH-5517: Insert Retainer Screw
- ㉘ FMH-5515: Insert
- ㉙ N/A
- ㉚ N/A
- ㉛ FMH-5514: Chuck
- ㉜ FM7-70A: Back Gauge Assembly
- ㉝ FM7-7005: Backgauge Knob
- ㉞ FM7-7003: Clamp Bar
- ㉟ FM4-4003: Side Iron
- ㊱ FM4-4000: Table
- ㊲ FM4-401A: Pedestal Stop Assembly
- ㊳ EBM-47: Stop Collar
- ㊴ FM4-4014: Stop Collar Rod
- ㊵ FM7-7002: Backgauge Clamping Bracket
- ㊶ FM3-3007: Pin Housing
- ㊷ FM3-304A: Vertical Table Travel Stop Assembly
- ㊸ FM2-2006: Push Rod
- ㊹ FM-42: Short Clevis
- ㊺ 50-31: Clevis Pin
- ㊻ FM2-201A: Push Rod Angle Assembly
- ㊼ FM-37: Wear Strip
- ㊽ FM2-200A: Pivot Bar Assembly
- ㊾ FM2-2009: Treadle Bar
- ㊿ FM1-1006: Wood Stop
- ① 50-59: Leveling Feet
- ② FM1-1000: Stand
- ③ FM2-2013: Foot Treadle
- ④ FM3-305A: Vertical Stop Adjustment Assembly
- ⑤ FM3-301A: Die Traverse Assembly
- ⑥ EBM2-1032: Pedestal Support Angle
- ⑦ FM3-3016: Slide Plate Support
- ⑧ FM3-3015: Slide Plate
- ⑨ FM4-4008: Traverse Channel
- ⑩ FM5-5006: On/Off Rocker Switch
- ⑪ FMM9-952A: Shroud Assembly
- ⑫ FM4-4016: Table Traverse Stop
- ⑬ FM-90: Guard Bracket
- ⑭ FM-93: Protective Guard
- ⑮ FM-95: Access Guard
- ⑯ FM-80: Junction Box
- ⑰ FM-86: Strain Relief
- ⑱ FM-82: 15 Amp Fuse