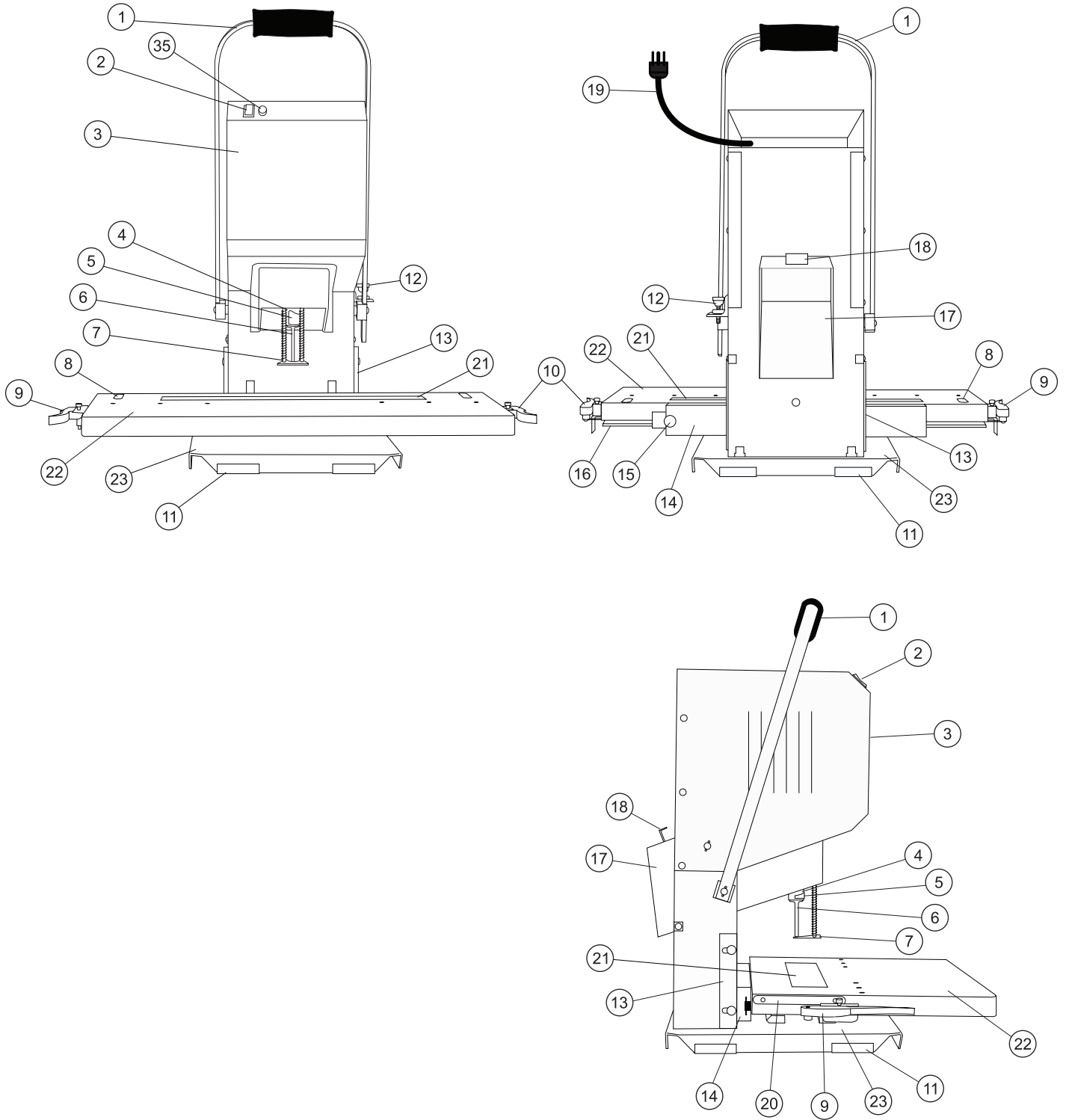


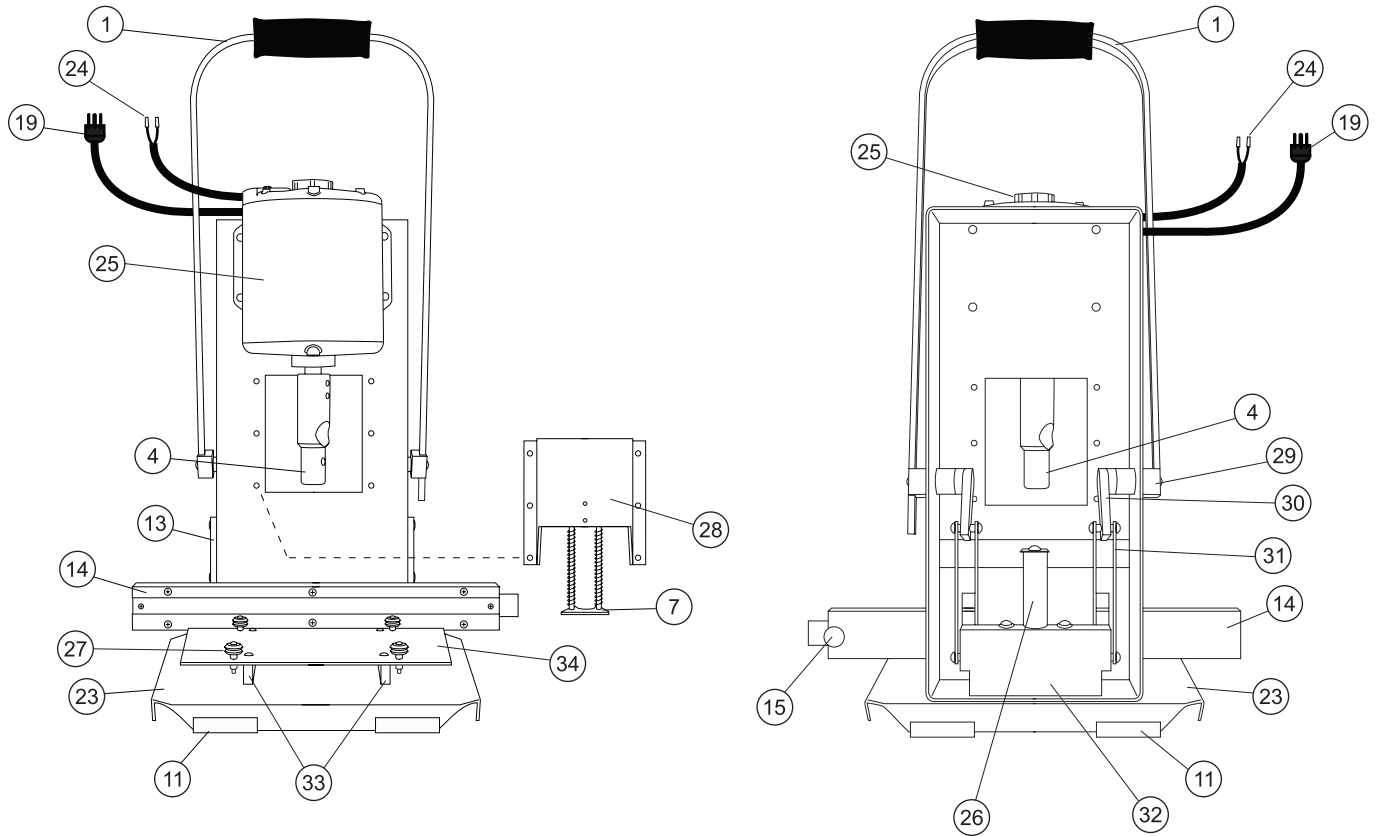
Parts Diagram - Lassco Wizer EBM-2.1

Front, Rear, and Side Views



Parts Diagram - Lassco Wizer EBM-2.1

Internal Views



Parts Diagram - Lassco Wizer EBM-2.1

Parts List

- ① EZ-108A: Handle Assembly
- ② FM5-5006: Rocker Switch (On/Off)
- ③ EZ-117A: Shroud Assembly
- ④ FM5-5003: Chuck
- ⑤ FM5-5011: Chuck Release Guard
- ⑥ Hollow Drill Bit
- ⑦ EBM2-0111A: Pressure Foot Assembly
- ⑧ 3S-14: Table Scale
- ⑨ EZ-1010L: Table Release Handle (Left)
- ⑩ EZ-1010R: Table Release Handle (Right)
- ⑪ EBM-44A: Channel Guard
- ⑫ EBM-20A: Table Height Adjustment Assembly
- ⑬ EZ-1034: Table Guide
- ⑭ EZ-107A: Pattern Bar Housing Assembly
- ⑮ EZ-1014A: Pattern Bar Stop Assembly
- ⑯ EZ-2004: Rail
- ⑰ EBM2-110A: Chip Chute Assembly
- ⑱ EBM2-1047: Chip Bag Bracket
- ⑲ FM5-5008: Power Cord
- ⑳ FM4-4003: Side Iron
- ㉑ EBM2-1034: Drill Strip
- ㉒ EZ-1033: Table
- ㉓ EZ-1025: Base
- ㉔ Wire Harness
- ㉕ FM5-5002: 1/4 HP Motor
- ㉖ EBM2-1000: Lift Pin
- ㉗ EZ-2001: Roller
- ㉘ EBM2-111A: Housing Assembly
- ㉙ EBM2-1019: Pivot Hub
- ㉚ EBM2-103A: Pivot Arm Set Assembly
- ㉛ EZ-1026: Lift Bars
- ㉜ EZ-1023: Lift Pin Housing
- ㉝ EZ-1024: Fork
- ㉞ EZ-1000: Fork Plate
- ㉟ EBM-82: 6 Amp Fuse