



## **Distruggidocumenti**

### **Paper Shredders**

<b><i>KOBRA</i></b>	<b><i>260TS S4 E/S</i></b>	<b><i>Cod.99.800ES</i></b>
<b><i>KOBRA</i></b>	<b><i>260TS S5 E/S</i></b>	<b><i>Cod.99.805ES</i></b>
<b><i>KOBRA</i></b>	<b><i>260TS C2 E/S</i></b>	<b><i>Cod.99.810ES</i></b>
<b><i>KOBRA</i></b>	<b><i>260TS C4 E/S</i></b>	<b><i>Cod.99.815ES</i></b>
<b><i>KOBRA</i></b>	<b><i>260TS HS E/S</i></b>	<b><i>Cod.99.820ES</i></b>
<b><i>KOBRA</i></b>	<b><i>260TS HS-6 E/S</i></b>	<b><i>Cod.99.825ES</i></b>

**SPARE PART LIST****MODEL:** KOBRA 260TS **ARTICLE NUMBER:** COMMON PARTS 58.420 E/S  
S4 E/S**REF. DRAW:** 01-02-03-06-07

<b>POS. ITEM</b>	<b>CODICE PART NUMBER</b>	<b>DESCRIZIONE</b>	<b>DESIGNATION</b>	<b>QUANTITA' QUANTITY</b>
001	01.813	MOBILE	CABINET	1
002	01.037	GUIDA	GUIDE	2
003	01.039	SUPPORTO VASCHETTA	PLASTIC BIN HOLDER	1
004	28.030	PORTASACCO	BAG HOLDER	1
005	32.012	RUOTA	CASTER	4
006	51.056	PIASTRINA	HINGE PLATE	2
007	51.057	CERNIERA	HINGE	2
008	51.038	MAGNETE	MAGNET	1
009	51.237	MANIGLIA	HANDLE	1
010	51.238	CRICCHETTO	LOCK	1
011	53.305	VITE 2,5X12	SCREW 2,5X12	3
012	53.306	VITE 2,9X13	SCREW 2,9X13	4
013	53.316	VITE M4X15	SCREW M4X15	6
014	53.359	VITE M4X16	SCREW M4X16	20
015	53.993	VITE 3,9X9,5	SCREW 3,9X9.5	1
016	53.994	VITE 3,5X16	SCREW 3,5X16	4
017	53.396	VITE M4X25	SCREW M4X25	2
018	02.158	BASE	BOTTOM COVER	1
019	02.159	COPERCHIO	PLASTIC COVER	1
020	02.163	PANNELLO	PANEL	1
021	02.055	DIFFUSSORE LUMINOSO	LIGHT OPTICAL INDICATOR	1
022	02.143	VASCHETTA RACCOLTA CD	CD PLASTIC WASTE BIN	1
023	04.244	RULLO	KNIFE	1
024	04.293	RULLO	KNIFE	1
025	06.034	PETTINE	STRIPPER	2
026	08.048	DISTANZIALE	ROD	2
027	08.049	DISTANZIALE	ROD	1
028	10.026	INGRANAGGIO	GEAR	2
029	10.029	INGRANAGGIO	GEAR	1
030	10.079	INGRANAGGIO	GEAR	1
031	11.012	CORONA	CHAIN WHEEL	1
032	12.009	PIGNONE	CHAIN WHEEL	1
033	13.012	CATENA	CHAIN	1
034	14.023	DISTANZIALE	ROD	4
035	14.063	PIASTRA SX	LEFT PLATE	1
036	14.206	PIASTRA DX	RIGHT PLATE	1
037	14.045	PORTA CUSCINETTO	BEARING HOLDER	2
038	16.030	PARATIA CENTRALE	ROD PLATE	1
039	16.049	PARATIA POSTERIORE	BACK PLATE	1
040	16.226	PARATIA SACCO	BAG FULL FLAP	1
041	18.025	PORTACUSCINETTO	BEARING HOLDER	2
042	19.014	CUSCINETTO 6002.2ZR	BEARING 6002.2ZR	4
043	23.036	INTERRUTTORE	ON/OFF SWITCH	1
044	24.235	LED BLU	LED LIGHT	2
047	24.237	CABLAGGIO SACCO PIENO	BAG FULL HARDNESS	1
048	24.212	SENSORE MAGNETICO	MAGNETIC SENSOR	1
049	25.015	MICROINTERRUTTORE	MICROSWITCH	1
050	25.045	TASTO INTERRUTTORE	SWITCH COVER	1
051	27.008	PORTADIODI	SENSOR HOLDER	3

## SPARE PART LIST

**MODEL:** KOBRA 260TS S4 **ARTICLE NUMBER:** COMMON PARTS 58.420 E/S  
E/S

**REF. DRAW:** : 01-02-03-06-07

<b>POS. ITEM</b>	<b>CODICE PART NUMBER</b>	<b>DESCRIZIONE</b>	<b>DESIGNATION</b>	<b>QUANTITA' QUANTITY</b>
053	27.118	PULSANTIERA	SWITCH PANEL	1
054	27.071	DIODO EMETTITORE	EMITTER DIODE	2
055	27.072	DIODO RICEVITORE	RECEIVER DIODE	2
056	29.067	SCATOLA IMBALLO	CARTON BOX	1
057	30.025	SET POLISTIROLO	STYROFOAM SET	1
058	37.309	ETICHETTA ENERGY SMART	ENERGY SMART LABEL	1
059	51.037	MOLLETTA	SPRING	6
060	51.068	SACCO	BAG	1
061	53.142	RONDELLA DENTELLATA M4	TOOTHED WASHER M4	12
062	53.143	RONDELLA DENTELLATA M5	TOOTHED WASHER M5	4
063	53.144	RONDELLA DENTELLATA M6	TOOTHED WASHER M6	4
064	53.182	RONDELLA PIANA	WASHER	11
065	53.200	SEEGER DIA 10	LOCKING RING	1
066	53.202	SEEGER DIA 15	LOCKING RING	6
067	53.301	VITE TRILOBATA 4X10	SCREW 4X10	4
068	53.331	VITE M4X10	SCREW M4X10	12
070	53.335	VITE M5X20	SCREW M5X20	4
071	53.415	LINGUETTA 5X5X16	KEY 5X5X16	4
073	53.603	PASSACAVO	BUSHING	1
074	53.702	DADO M4	EXAGON NUT M4	4
075	53.704	DADO M6	EXAGON NUT M6	4
076	53.801	RIVETTO 3.2X10	BLIN RIVET	8
077	53.804	RIVETTO 4.8X11	BLIND RIVET	8
079	02.144	PETTINE	STRIPPER	1
080	02.145	PETTINE	STRIPPER	1
081	04.273	RULLO	KNIFE	1
082	04.274	RULLO	KNIFE	1
083	10.083	INGRANAGGIO	GEAR	2
084	14.056	PIASTRA SX	LEFT PLATE	1
085	19.027	BOCCOLA	BUSHING	4
086	53.201	SEEGER DIA 12	LOCKING RING	3
087	53.602	ANTIVIBRANTI	SHOCK ABSORBER	2
109	53.142	RONDELLA	WASHER	4
113	53.349	VITE 4X16	SCREW 4X16	6
126	60.063	ISTRUZIONI	OPERATING INSTRUCTION	1
127	60.004	DICHIARAZIONE CE		1
128	60.001	GARANZIA	WARRANTY CARD	1
130	24.268	CABLAGGIO SCHEDE/PULSANTIERA	PC BOARD HARNESS	1
131	53.348	VITE 2.5X6	SCREW 2.5X6	7
132	53.332	VITE M5X12	SCREW M5X12	4
135	01.034	SUPPORTO VASCHETTA INFERIORE	PLASTIC BIN HOLDER	1
136	30.027	ANGOLARE	CORNER	4
137	29.068	CARTONE	CARTON	1

**SPARE PART LIST****MODEL:** KOBRA 260TS S4 **ARTICLE NUMBER:** 58.450E/S 230V-50Hz **SUPPLY ( EUROPE )**  
E/S**REF. DRAW:** 02-03-07

<b>POS. ITEM</b>	<b>CODICE PART NUMBER</b>	<b>DESCRIZIONE</b>	<b>DESIGNATION</b>	<b>QUANTITA' QUANTITY</b>
052	27.117/230	SCHEDA ELETTRONICA	PC BOARD	1
088	07.090	MOTORIDUTTORE	GEAR MOTOR	1
089	22.003	CONDENSATORE 8mF	CAPACITOR 8Mf	1
090	24.001	CAVO	POWER CORD	1

**SPARE PART LIST****MODEL:** KOBRA 260TS S4 **ARTICLE NUMBER:** 58.500E/S 115V-60Hz **SUPPLY ( USA / CANADA / )**  
E/S**REF. DRAW:** 02-03-07

<b>POS. ITEM</b>	<b>CODICE PART NUMBER</b>	<b>DESCRIZIONE</b>	<b>DESIGNATION</b>	<b>QUANTITA' QUANTITY</b>
052	27.117/115	SCHEDA ELETTRONICA	PC BOARD	1
088	07.091	MOTORIDUTTORE	GEAR MOTOR	1
089	22.005	CONDENSATORE 30mF	CAPACITOR 30mF	1
090	24.006	CAVO	POWER CORD	1

**SPARE PART LIST****MODEL:** KOBRA 260TS S4 **ARTICLE NUMBER:** 58.550E/S 110V-60Hz **SUPPLY ( TAIWAN / BRASIL )**  
E/S**REF. DRAW:** 02-03-07

<b>POS. ITEM</b>	<b>CODICE PART NUMBER</b>	<b>DESCRIZIONE</b>	<b>DESIGNATION</b>	<b>QUANTITA' QUANTITY</b>
052	27.117/115	SCHEDA ELETTRONICA	PC BOARD	1
088	07.091	MOTORIDUTTORE	GEAR MOTOR	1
089	22.005	CONDENSATORE 30Mf	CAPACITOR 30Mf	1
090	24.006	CAVO	POWER CORD	1

**SPARE PART LIST****MODEL:** KOBRA 260TS S4 **ARTICLE NUMBER:** 58.600 E/S 100V-50/60Hz **SUPPLY ( JAPAN )**  
E/S**REF. DRAW:** 02-03-07

<b>POS. ITEM</b>	<b>CODICE PART NUMBER</b>	<b>DESCRIZIONE</b>	<b>DESIGNATION</b>	<b>QUANTITA' QUANTITY</b>
052	27.117/115	SCHEDA ELETTRONICA	PC BOARD	1
088	07.091	MOTORIDUTTORE	GEAR MOTOR	1
089	22.002	CONDENSATORE 35Mf	CAPACITOR 35Mf	1
090	24.010	CAVO	POWER CORD	1

**SPARE PART LIST****MODEL:** KOBRA 260TS S4 **ARTICLE NUMBER:** 58.650E/S 230V-50Hz SUPPLY ( ISRAEL)  
E/S**REF. DRAW:** 02-03-07

<b>POS. ITEM</b>	<b>CODICE PART NUMBER</b>	<b>DESCRIZIONE</b>	<b>DESIGNATION</b>	<b>QUANTITA' QUANTITY</b>
052	27.117/230	SCHEDA ELETTRONICA	PC BOARD	1
088	07.090	MOTORIDUTTORE	GEAR MOTOR	1
089	22.003	CONDENSATORE 8mF	CAPACITOR 8Mf	1
090	24.052	CAVO	POWER CORD	1

**SPARE PART LIST****MODEL:** KOBRA 260TS S4 **ARTICLE NUMBER:** 58.700E/S 230V-50Hz SUPPLY ( HK/BAHRAIN)  
E/S**REF. DRAW:** 02-03-07

<b>POS. ITEM</b>	<b>CODICE PART NUMBER</b>	<b>DESCRIZIONE</b>	<b>DESIGNATION</b>	<b>QUANTITA' QUANTITY</b>
052	27.117/230	SCHEDA ELETTRONICA	PC BOARD	1
088	07.090	MOTORIDUTTORE	GEAR MOTOR	1
089	22.003	CONDENSATORE 8mF	CAPACITOR 8Mf	1
090	24.055	CAVO	POWER CORD	1

**SPARE PART LIST****MODEL:** KOBRA 260TS S4 **ARTICLE NUMBER:** 58.750E/S 240V-50Hz SUPPLY ( UK/MALESIA)  
E/S**REF. DRAW:** 02-03-07

<b>POS. ITEM</b>	<b>CODICE PART NUMBER</b>	<b>DESCRIZIONE</b>	<b>DESIGNATION</b>	<b>QUANTITA' QUANTITY</b>
052	27.117/230	SCHEDA ELETTRONICA/230V	PC BOARD	1
088	07.090	MOTORIDUTTORE	GEAR MOTOR	1
089	22.007	CONDENSATORE 4mF	CAPACITOR 4Mf	1
090	24.055	CAVO	POWER CORD	1

**SPARE PART LIST****MODEL:** KOBRA 260TS S4 **ARTICLE NUMBER:** 58.800E/S 240V-50Hz SUPPLY ( AUSTRALIA)  
E/S**REF. DRAW:** 02-03-07

<b>POS. ITEM</b>	<b>CODICE PART NUMBER</b>	<b>DESCRIZIONE</b>	<b>DESIGNATION</b>	<b>QUANTITA' QUANTITY</b>
052	27.117/230	SCHEDA ELETTRONICA	PC BOARD	1
088	07.090	MOTORIDUTTORE	GEAR MOTOR	1
089	22.007	CONDENSATORE 4mF	CAPACITOR 4Mf	1
090	24.009	CAVO	POWER CORD	1

**SPARE PART LIST****MODEL:** KOBRA 260TS S4 **ARTICLE NUMBER:** 58.850E/S 240V-50Hz SUPPLY ( INDIA)  
E/S**REF. DRAW:** 02-03-07

<b>POS. ITEM</b>	<b>CODICE PART NUMBER</b>	<b>DESCRIZIONE</b>	<b>DESIGNATION</b>	<b>QUANTITA' QUANTITY</b>
052	27.117/230	SCHEDA ELETTRONICA	PC BOARD	1
088	07.090	MOTORIDUTTORE	GEAR MOTOR	1
089	22.007	CONDENSATORE 4mF	CAPACITOR 4Mf	1
090	24.001	CAVO	POWER CORD	1

**SPARE PART LIST****MODEL:** KOBRA 260TS S4 **ARTICLE NUMBER:** 58.900E/S 220V-50Hz SUPPLY ( BZ/ARABIA/PH)  
E/S**REF. DRAW:** 02-03-07

<b>POS. ITEM</b>	<b>CODICE PART NUMBER</b>	<b>DESCRIZIONE</b>	<b>DESIGNATION</b>	<b>QUANTITA' QUANTITY</b>
052	27.117/230	SCHEDA ELETTRONICA	PC BOARD	1
088	07.090	MOTORIDUTTORE	GEAR MOTOR	1
089	22.003	CONDENSATORE 8mF	CAPACITOR 8Mf	1
090	24.006	CAVO	POWER CORD	1

**SPARE PART LIST****MODEL:** KOBRA 260TS **ARTICLE NUMBER:** COMMON PARTS 58.421 E/S  
S5 E/S**REF. DRAW:** 01-02-03-06-07

<b>POS. ITEM</b>	<b>CODICE PART NUMBER</b>	<b>DESCRIZIONE</b>	<b>DESIGNATION</b>	<b>QUANTITA' QUANTITY</b>
001	01.813	MOBILE	CABINET	1
002	01.037	GUIDA	GUIDE	2
003	01.039	SUPPORTO VASCHETTA	PLASTIC BIN HOLDER	1
004	28.030	PORTASACCO	BAG HOLDER	1
005	32.012	RUOTA	CASTER	4
006	51.056	PIASTRINA	HINGE PLATE	2
007	51.057	CERNIERA	HINGE	2
008	51.038	MAGNETE	MAGNET	1
009	51.237	MANIGLIA	HANDLE	1
010	51.238	CRICCHETTO	LOCK	1
011	53.305	VITE 2,5X12	SCREW 2,5X12	3
012	53.306	VITE 2,9X13	SCREW 2,9X13	4
013	53.316	VITE M4X15	SCREW M4X15	6
014	53.359	VITE M4X16	SCREW M4X16	20
015	53.993	VITE 3,9X9,5	SCREW 3,9X9.5	1
016	53.994	VITE 3,5X16	SCREW 3,5X16	4
017	53.396	VITE M4X25	SCREW M4X25	2
018	02.158	BASE	BOTTOM COVER	1
019	02.159	COPERCHIO	PLASTIC COVER	1
020	02.163	PANNELLO	PANEL	1
021	02.055	DIFFUSSORE LUMINOSO	LIGHT OPTICAL INDICATOR	1
022	02.143	VASCHETTA RACCOLTA CD	CD PLASTIC WASTE BIN	1
023	04.204	RULLO	KNIFE	1
024	04.295	RULLO	KNIFE	1
025	06.032	PETTINE	STRIPPER	2
026	08.048	DISTANZIALE	ROD	2
027	08.049	DISTANZIALE	ROD	1
028	10.026	INGRANAGGIO	GEAR	2
029	10.029	INGRANAGGIO	GEAR	1
030	10.079	INGRANAGGIO	GEAR	1
031	11.011	CORONA	CHAIN WHEEL	1
032	12.009	PIGNONE	CHAIN WHEEL	1
033	13.012	CATENA	CHAIN	1
034	14.023	DISTANZIALE	ROD	4
035	14.063	PIASTRA SX	LEFT PLATE	1
036	14.206	PIASTRA DX	RIGHT PLATE	1
037	14.045	PORTACUSCINETTO	BEARING HOLDER	2
038	16.030	PARATIA CENTRALE	ROD PLATE	1
039	16.049	PARATIA POSTERIORE	BACK PLATE	1
040	16.226	PARATIA SACCO	BAG FULL FLAP	1
041	18.025	PORTACUSCINETTO	BEARING HOLDER	2
042	19.014	CUSCINETTO 6002.2ZR	BEARING 6002.2ZR	4
043	23.036	INTERRUTTORE	ON/OFF SWITCH	1
044	24.235	LED BLU	LED LIGHT	2
047	24.237	CABLAGGIO SACCO PIENO	BAG FULL HARDNESS	1
048	24.212	SENSORE MAGNETICO	MAGNETIC SENSOR	1
049	25.015	MICROINTERRUTTORE	MICROSWITCH	1
050	25.045	TASTO INTERRUTTORE	SWITCH COVER	1
051	27.008	PORTADIODI	SENSOR HOLDER	3

**SPARE PART LIST****MODEL:** KOBRA 260TS S5 **ARTICLE NUMBER:** COMMON PARTS 58.421 E/S  
E/S**REF. DRAW:** 01-02-03-06-07

<b>POS. ITEM</b>	<b>CODICE PART NUMBER</b>	<b>DESCRIZIONE</b>	<b>DESIGNATION</b>	<b>QUANTITA' QUANTITY</b>
053	27.118	PULSANTIERA	SWITCH PANEL	1
054	27.071	DIODO EMETTITORE	EMITTER DIODE	2
055	27.072	DIODO RICEVITORE	RECEIVER DIODE	2
056	29.067	SCATOLA IMBALLO	CARTON BOX	1
057	30.025	SET POLISTIROLO	STYROFOAM SET	1
058	37.309	ETICHETTA ENERGY SMART	ENERGY SMART LABEL	1
059	51.037	MOLLETTA	SPRING	6
060	51.068	SACCO	BAG	1
061	53.142	RONDELLA DENTELLATA M4	TOOTHED WASHER M4	12
062	53.143	RONDELLA DENTELLATA M5	TOOTHED WASHER M5	4
063	53.144	RONDELLA DENTELLATA M6	TOOTHED WASHER M6	4
064	53.182	RONDELLA PIANA	WASHER	11
065	53.200	SEEGER DIA 10	LOCKING RING	1
066	53.202	SEEGER DIA 15	LOCKING RING	6
067	53.301	VITE TRILOBATA 4X10	SCREW 4X10	4
068	53.331	VITE M4X10	SCREW M4X10	12
070	53.335	VITE M5X20	SCREW M5X20	4
071	53.415	LINGUETTA 5X5X16	KEY 5X5X16	4
073	53.603	PASSACAVO	BUSHING	1
074	53.702	DADO M4	EXAGON NUT M4	4
075	53.704	DADO M6	EXAGON NUT M6	4
076	53.801	RIVETTO 3.2X10	BLIND RIVET	8
077	53.804	RIVETTO 4.8X11	BLIND RIVET	8
079	02.144	PETTINE	STRIPPER	1
080	02.145	PETTINE	STRIPPER	1
081	04.273	RULLO	KNIFE	1
082	04.274	RULLO	KNIFE	1
083	10.083	INGRANAGGIO	GEAR	2
084	14.056	PIASTRA SX	LEFT PLATE	1
085	19.027	BOCCOLA	BUSHING	4
086	53.201	SEEGER DIA 12	LOCKING RING	3
087	53.602	ANTIVIBRANTI	SHOCK ABSORBER	2
091	08.067	DISTANZIALE	ROD	3
109	53.142	RONDELLA	WASHER	4
113	53.349	VITE 4X16	SCREW 4X16	6
126	60.063	ISTRUZIONI	OPERATING INSTRUCTION	1
127	60.004	DICHIARAZIONE CE		1
128	60.001	GARANZIA	WARRANTY CARD	1
130	24.268	CABLAGGIO	PC BOARD HARNESS	1
		SCHEDA/PULSANTIERA		
131	53.348	VITE 2.5X6	SCREW 2.5X6	7
132	53.332	VITE M5X12	SCREW M5X12	4
135	01.034	SUPPORTO VASCHETTA INFERIORE	PLASTIC BIN HOLDER	1
136	30.027	ANGOLARE	CORNER	4
137	29.068	CARTONE	CARTON	1



**SPARE PART LIST****MODEL:** KOBRA 260TS S5 **ARTICLE NUMBER:** 58.451E/S 230V-50Hz **SUPPLY ( EUROPE )**  
E/S**REF. DRAW:** 02-03-07

<b>POS. ITEM</b>	<b>CODICE PART NUMBER</b>	<b>DESCRIZIONE</b>	<b>DESIGNATION</b>	<b>QUANTITA' QUANTITY</b>
052	27.117/230	SCHEDA ELETTRONICA	PC BOARD	1
088	07.090	MOTORIDUTTORE	GEAR MOTOR	1
089	22.003	CONDENSATORE 8Mf	CAPACITOR 8Mf	1
090	24.001	CAVO	POWER CORD	1

**SPARE PART LIST****MODEL:** KOBRA 260TS S5 **ARTICLE NUMBER:** 58.501E/S 115V-60Hz **SUPPLY ( USA / CANADA / )**  
E/S**REF. DRAW:** 02-03-07

<b>POS. ITEM</b>	<b>CODICE PART NUMBER</b>	<b>DESCRIZIONE</b>	<b>DESIGNATION</b>	<b>QUANTITA' QUANTITY</b>
052	27.117/115	SCHEDA ELETTRONICA	PC BOARD	1
088	07.091	MOTORIDUTTORE	GEAR MOTOR	1
089	22.005	CONDENSATORE 30mF	CAPACITOR 30mF	1
090	24.006	CAVO	POWER CORD	1

**SPARE PART LIST****MODEL:** KOBRA 260TS S5 **ARTICLE NUMBER:** 58.551E/S 110V-60Hz **SUPPLY ( TAIWAN / BRASIL )**  
E/S**REF. DRAW:** 02-03-07

<b>POS. ITEM</b>	<b>CODICE PART NUMBER</b>	<b>DESCRIZIONE</b>	<b>DESIGNATION</b>	<b>QUANTITA' QUANTITY</b>
052	27.117/115	SCHEDA ELETTRONICA	PC BOARD	1
088	07.091	MOTORIDUTTORE	GEAR MOTOR	1
089	22.005	CONDENSATORE 30mF	CAPACITOR 30mF	1
090	24.006	CAVO	POWER CORD	1

**SPARE PART LIST****MODEL:** KOBRA 260TS S5 **ARTICLE NUMBER:** 58.601 E/S 100V-50/60Hz **SUPPLY ( JAPAN )**  
E/S**REF. DRAW:** 02-03-07

<b>POS. ITEM</b>	<b>CODICE PART NUMBER</b>	<b>DESCRIZIONE</b>	<b>DESIGNATION</b>	<b>QUANTITA' QUANTITY</b>
052	27.117/115	SCHEDA ELETTRONICA	PC BOARD	1
088	07.090	MOTORIDUTTORE	GEAR MOTOR	1
089	22.002	CONDENSATORE 35mF	CAPACITOR 35Mf	1
090	24.010	CAVO	POWER CORD	1

**SPARE PART LIST****MODEL:** KOBRA 260TS S5 **ARTICLE NUMBER:** 58.651E/S 230V-50Hz SUPPLY ( ISRAEL)  
E/S**REF. DRAW:** 02-03-07

<b>POS. ITEM</b>	<b>CODICE PART NUMBER</b>	<b>DESCRIZIONE</b>	<b>DESIGNATION</b>	<b>QUANTITA' QUANTITY</b>
052	27.117/230	SCHEDA ELETTRONICA	PC BOARD	1
088	07.090	MOTORIDUTTORE	GEAR MOTOR	1
089	22.003	CONDENSATORE 8mF	CAPACITOR 8Mf	1
090	24.052	CAVO	POWER CORD	1

**SPARE PART LIST****MODEL:** KOBRA 260TS S5 **ARTICLE NUMBER:** 58.701E/S 230V-50Hz SUPPLY ( HK/BAHRAIN)  
E/S**REF. DRAW:** 02-03-07

<b>POS. ITEM</b>	<b>CODICE PART NUMBER</b>	<b>DESCRIZIONE</b>	<b>DESIGNATION</b>	<b>QUANTITA' QUANTITY</b>
052	27.117/230	SCHEDA ELETTRONICA	PC BOARD	1
088	07.090	MOTORIDUTTORE	GEAR MOTOR	1
089	22.003	CONDENSATORE 8mF	CAPACITOR 8Mf	1
090	24.055	CAVO	POWER CORD	1

**SPARE PART LIST****MODEL:** KOBRA 260TS S5 **ARTICLE NUMBER:** 58.751E/S 240V-50Hz SUPPLY ( UK/MALESIA)  
E/S**REF. DRAW:** 02-03-07

<b>POS. ITEM</b>	<b>CODICE PART NUMBER</b>	<b>DESCRIZIONE</b>	<b>DESIGNATION</b>	<b>QUANTITA' QUANTITY</b>
052	27.117/230	SCHEDA ELETTRONICA	PC BOARD	1
088	07.090	MOTORIDUTTORE	GEAR MOTOR	1
089	22.007	CONDENSATORE 4mF	CAPACITOR 4Mf	1
090	24.055	CAVO	POWER CORD	1

**SPARE PART LIST****MODEL:** KOBRA 260TS S5 **ARTICLE NUMBER:** 58.801E/S 240V-50Hz SUPPLY ( AUSTRALIA)  
E/S**REF. DRAW:** 02-03-07

<b>POS. ITEM</b>	<b>CODICE PART NUMBER</b>	<b>DESCRIZIONE</b>	<b>DESIGNATION</b>	<b>QUANTITA' QUANTITY</b>
052	27.117/230	SCHEDA ELETTRONICA	PC BOARD	1
088	07.090	MOTORIDUTTORE	GEAR MOTOR	1
089	22.007	CONDENSATORE 4mF	CAPACITOR 4Mf	1
090	24.009	CAVO	POWER CORD	1

**SPARE PART LIST****MODEL:** KOBRA 260TS S5 **ARTICLE NUMBER:** 58.851E/S 240V-50Hz SUPPLY ( INDIA)  
E/S**REF. DRAW:** 02-03-07

<b>POS. ITEM</b>	<b>CODICE PART NUMBER</b>	<b>DESCRIZIONE</b>	<b>DESIGNATION</b>	<b>QUANTITA' QUANTITY</b>
052	27.117/230	SCHEDA ELETTRONICA	PC BOARD	1
088	07.090	MOTORIDUTTORE	GEAR MOTOR	1
089	22.007	CONDENSATORE 4mF	CAPACITOR 4Mf	1
090	24.001	CAVO	POWER CORD	1

**SPARE PART LIST****MODEL:** KOBRA 260TS S5 **ARTICLE NUMBER:** 58.901E/S 220V-50Hz SUPPLY ( BZ/ARABIA/PH)  
E/S**REF. DRAW:** 02-03-07

<b>POS. ITEM</b>	<b>CODICE PART NUMBER</b>	<b>DESCRIZIONE</b>	<b>DESIGNATION</b>	<b>QUANTITA' QUANTITY</b>
052	27.117/230	SCHEDA ELETTRONICA	PC BOARD	1
088	07.090	MOTORIDUTTORE	GEAR MOTOR	1
089	22.003	CONDENSATORE 8mF	CAPACITOR 8Mf	1
090	24.006	CAVO	POWER CORD	1

## SPARE PART LIST

**MODEL:** KOBRA 260TS    **ARTICLE NUMBER:** COMMON PARTS 58.422 E/S  
C2 E/S

**REF. DRAW:** 01-02-04-06-07-09-11

<b>POS. ITEM</b>	<b>CODICE PART NUMBER</b>	<b>DESCRIZIONE</b>	<b>DESIGNATION</b>	<b>QUANTITA' QUANTITY</b>
001	01.813	MOBILE	CABINET	1
002	01.037	GUIDA	GUIDE	2
003	01.039	SUPPORTO VASCHETTA	PLASTIC BIN HOLDER	1
004	28.030	PORTASACCO	BAG HOLDER	1
005	32.012	RUOTA	CASTER	4
006	51.056	PIASTRINA	HINGE PLATE	2
007	51.057	CERNIERA	HINGE	2
008	51.038	MAGNETE	MAGNET	1
009	51.237	MANIGLIA	HANDLE	1
010	51.238	CRICCHETTO	LOCK	1
011	53.305	VITE 2,5X12	SCREW 2,5X12	3
012	53.306	VITE 2,9X13	SCREW 2,9X13	4
013	53.316	VITE M4X15	SCREW M4X15	6
014	53.359	VITE M4X16	SCREW M4X16	20
015	53.993	VITE 3,9X9,5	SCREW 3,9X9.5	1
016	53.994	VITE 3,5X16	SCREW 3,5X16	4
017	53.396	VITE M4X25	SCREW M4X25	2
018	02.158	BASE	BOTTOM COVER	1
019	02.159	COPERCHIO	PLASTIC COVER	1
020	02.163	PANNELLO	PANEL	1
021	02.055	DIFFUSSORE LUMINOSO	LIGHT OPTICAL INDICATOR	1
022	02.143	VASCHETTA RACCOLTA CD	CD PLASTIC WASTE BIN	1
023	04.269	RULLO	KNIFE	1
024	04.270	RULLO	KNIFE	1
025	06.043	PETTINE	STRIPPER	120
026	08.045	DISTANZIALE	ROD	2
027	08.046	DISTANZIALE	ROD	2
028	08.049	DISTANZIALE	ROD	1
029	08.067	DISTANZIALE	ROD	3
030	10.026	INGRANAGGIO	GEAR	2
031	10.029	INGRANAGGIO	GEAR	1
032	10.084	INGRANAGGIO	GEAR	1
033	11.010	CORONA	CHAIN WHEEL	1
034	12.009	PIGNONE	CHAIN WHEEL	1
035	13.015	CATENA	CHAIN	1
036	14.023	DISTANZIALE	ROD	6
037	14.045	PORTA CUSCINETTO	BEARING HOLDER	2
038	14.204	PIASTRA DX	RIGHT PLATE	1
039	14.067	PIASTRA SX	LEFT PLATE	1
040	16.030	PARATIA CENTRALE	ROD PLATE	1
041	16.049	PARATIA POSTERIORE	BACK PLATE	1
042	16.225	PARATIA	ROD PLATE	1
043	23.036	INTERRUTTORE	ON/OFF SWITCH	1
044	24.235	LED BLU	LED LIGHT	2
047	24.237	CABLAGGIO SACCO PIENO	BAG FULL HARDNESS	1
048	24.212	SENSORE MAGNETICO	MAGNETIC SENSOR	1
049	25.015	MICROINTERRUTTORE	MICROSWITCH	1
050	25.045	TASTO INTERRUTTORE	SWITCH COVER	1
051	27.008	PORTADIODI	SENSOR HOLDER	3

**SPARE PART LIST****MODEL:** KOBRA 260TS **ARTICLE NUMBER:** COMMON PARTS 58.422 E/S  
C2 E/S**REF. DRAW:** 01-02-04-06-07-09-11

<b>POS. ITEM</b>	<b>CODICE PART NUMBER</b>	<b>DESCRIZIONE</b>	<b>DESIGNATION</b>	<b>QUANTITA' QUANTITY</b>
053	27.118	PULSANTIERA	SWITCH PANEL	1
054	27.071	DIODO EMETTITORE	EMITTER DIODE	2
055	27.072	DIODO RICEVITORE	RECEIVER DIODE	2
056	29.067	SCATOLA IMBALLO	CARTON BOX	1
057	30.025	SET POLISTIROLO	STYROFOAM SET	1
058	37.309	ETICHETTA ENERGY SMART	ENERGY SMART LABEL	1
059	51.037	MOLLETTA	SPRING	6
060	51.068	SACCO	BAG	1
061	02.144	PETTINE	STRIPPER	1
062	02.145	PETTINE	STRIPPER	1
063	04.273	RULLO	KNIFE	1
064	04.274	RULLO	KNIFE	1
065	10.083	INGRANAGGIO	GEAR	2
066	14.056	PIASTRA SX	LEFT PLATE	1
067	53.301	VITE 4X10	SCREW 4X10	4
068	19.027	BOCCOLA	BUSHING	4
069	53.201	SEEGER DIA 12	LOCKING RING	3
070	53.602	ANTIVIBRANTI	SHOCK ABSORBER	2
071	10.079	INGRANAGGIO	GEAR	1
072	16.226	PARATIA SACCO	BAG FULL FLAP	1
073	53.603	PASSACAVO	BUSHING	1
091	16.031	PARATIA	ROD PLATE	1
092	16.211/V	CONTENITORE OLIO	OIL BOTTLE HOLDER	1
093	16.063	OIL WICK	OIL WICK	1
095	24.204	SENSORE OTTICO	OIL OPTICAL SENSOR	1
096	51.084	TAPPO	CAP	1
097	51.085	OLIO 1000cc	SHREDDER OIL	1
098	51.560	TUBO	TUBE	MT.1
102	51.610	RACCORDO	JUNCTION	1
103	53.305	VITE 2.5X12	SCREW 2.5X12	3
105	27.125	METALDETECTOR	METALDETECTOR	1
106	53.328	VITE 4X10	SCREW 4X10	2
107	18.025	PORTACUSCINETTO	BEARING HOLDER	2
108	19.014	CUSCINETTO 6002.2ZR	BEARING 6002.2ZR	4
109	53.142	RONDELLA	WASHER	4
110	53.143	RONDELLA	WASHER	4
111	53.200	SEEGER DIA 10	LOCKING RING	1
112	53.201	SEEGER DIA 12	LOCKING RING	1
113	53.349	VITE 4X16	SCREW 4X16	6
114	53.335	VITE M5X20	SCREW M5X20	4
115	53.415	LINGUETTA 5X5X16	KEY 5X5X16	4
116	53.411	LINGUETTA 4X4X14	KEY 4X4X12	1
117	53.801	RIVETTO	BLIND RIVET	8
118	53.804	RIVETTO	BLIND RIVET	16
119	53.203	SEEGER DIA 22	LOCKING RING	4
120	53.202	SEEGER DIA 15	LOCKING RING	7
126	60.063	ISTRUZIONI	OPERATING INSTRUCTION	1
127	60.004	DICHIARAZIONE CE		1

**SPARE PART LIST**

**MODEL:** KOBRA 260TS    **ARTICLE NUMBER:** COMMON PARTS 58.422 E/S  
C2 E/S

**REF. DRAW:** 01-02-04-06-07-09-11

<b>POS. ITEM</b>	<b>CODICE PART NUMBER</b>	<b>DESCRIZIONE</b>	<b>DESIGNATION</b>	<b>QUANTITA' QUANTITY</b>
128	60.001	GARANZIA	WARRANTY CARD	1
129	51.090	OLIO 125cc	SHREDDER OIL	1
130	24.268	CABLAGGIO SCHEDA PULSANTIERA	PC BOARD HARDNESS	1
131	53.348	VITE 2.5X6	SCREW 2.5X6	7
132	53.332	VITE M5X12	SCREW M5X12	4
133	53.143	RONDELLA	WASHER	4
135	01.034	SUPPORTO VASCHETTA INFERIORE	PLASTIC BIN HOLDER	1
136	30.027	ANGOLARE	CORNER	4
137	29.068	CARTONE	CARTON	1

**SPARE PART LIST****MODEL:** KOBRA 260TS C2 **ARTICLE NUMBER:** 58.452E/S 230V-50Hz **SUPPLY ( EUROPE )**  
E/S**REF. DRAW:** 02-04-07-09-11

<b>POS. ITEM</b>	<b>CODICE PART NUMBER</b>	<b>DESCRIZIONE</b>	<b>DESIGNATION</b>	<b>QUANTITA' QUANTITY</b>
052	27.117/230	SCHEDA ELETTRONICA	PC BOARD	1
088	07.090	MOTORIDUTTORE	GEAR MOTOR	1
089	22.003	CONDENSATORE 8mF	CAPACITOR 8mF	1
090	24.001	CAVO	POWER CORD	1
094	24.207	POMPA	PUMP	1
104	27.112/230	SCHEDA METALDETECTOR	PC BOARD METAL	1

**SPARE PART LIST****MODEL:** KOBRA 260TS C2 **ARTICLE NUMBER:** 58.502E/S 115V-60Hz **SUPPLY ( USA/CANADA )**  
E/S**REF. DRAW:** 02-04-07-09-11

<b>POS. ITEM</b>	<b>CODICE PART NUMBER</b>	<b>DESCRIZIONE</b>	<b>DESIGNATION</b>	<b>QUANTITA' QUANTITY</b>
052	27.117/115	SCHEDA ELETTRONICA	PC BOARD	1
088	07.091	MOTORIDUTTORE	GEAR MOTOR	1
089	22.005	CONDENSATORE 30mF	CAPACITOR 30Mf	1
090	24.006	CAVO	POWER CORD	1
094	24.208	POMPA	PUMP	1
104	27.112/115	SCHEDA METALDETECTOR	PC BOARD METAL	1

**SPARE PART LIST****MODEL:** KOBRA 260TS C2 **ARTICLE NUMBER:** 58.552E/S 110V-60Hz **SUPPLY ( TAIWAN/BRASIL )**  
E/S**REF. DRAW:** 02-04-07-09-11

<b>POS. ITEM</b>	<b>CODICE PART NUMBER</b>	<b>DESCRIZIONE</b>	<b>DESIGNATION</b>	<b>QUANTITA' QUANTITY</b>
052	27.117/115	SCHEDA ELETTRONICA	PC BOARD	1
088	07.091	MOTORIDUTTORE	GEAR MOTOR	1
089	22.002	CONDENSATORE 30mF	CAPACITOR 30Mf	1
090	24.006	CAVO	POWER CORD	1
094	24.208	POMPA	PUMP	1
104	27.112/115	SCHEDA METALDETECTOR	PC BOARD METAL	1

**SPARE PART LIST****MODEL:** KOBRA 260TS C2 **ARTICLE NUMBER:** 58.602E/S 100V-50/60 Hz **SUPPLY ( JAPAN )**  
E/S**REF. DRAW:** 02-04-07-09-11

<b>POS. ITEM</b>	<b>CODICE PART NUMBER</b>	<b>DESCRIZIONE</b>	<b>DESIGNATION</b>	<b>QUANTITA' QUANTITY</b>
052	27.117/115	SCHEDA ELETTRONICA	PC BOARD	1
088	07.091	MOTORIDUTTORE	GEAR MOTOR	1
089	22.002	CONDENSATORE 35mF	CAPACITOR 35Mf	1
090	24.010	CAVO	POWER CORD	1
094	24.208	POMPA	PUMP	1
104	27.112/115	SCHEDA METALDETECTOR	PC BOARD METAL	1

**SPARE PART LIST****MODEL:** KOBRA 260TS C2 **ARTICLE NUMBER:** 58.652E/S 230V-50Hz **SUPPLY ( ISRAELE )**  
E/S**REF. DRAW:** 02-04-07-09-11

<b>POS. ITEM</b>	<b>CODICE PART NUMBER</b>	<b>DESCRIZIONE</b>	<b>DESIGNATION</b>	<b>QUANTITA' QUANTITY</b>
052	27.117/230	SCHEDA ELETTRONICA	PC BOARD	1
088	07.090	MOTORIDUTTORE	GEAR MOTOR	1
089	22.003	CONDENSATORE 8mF	CAPACITOR 8mF	1
090	24.052	CAVO	POWER CORD	1
094	24.207	POMPA	PUMP	1
104	27.112/230	SCHEDA METALDETECTOR	PC BOARD METAL	1

**SPARE PART LIST****MODEL:** KOBRA 260TS C2 **ARTICLE NUMBER:** 58.702E/S 230V-50Hz **SUPPLY ( HK/BAHRAIN )**  
E/S**REF. DRAW:** 02-04-07-09-11

<b>POS. ITEM</b>	<b>CODICE PART NUMBER</b>	<b>DESCRIZIONE</b>	<b>DESIGNATION</b>	<b>QUANTITA' QUANTITY</b>
052	27.117/230	SCHEDA ELETTRONICA	PC BOARD	1
088	07.090	MOTORIDUTTORE	GEAR MOTOR	1
089	22.003	CONDENSATORE 8mF	CAPACITOR 8mF	1
090	24.055	CAVO	POWER CORD	1
094	24.207	POMPA	PUMP	1
104	27.112/230	SCHEDA METALDETECTOR	PC BOARD METAL	1

**SPARE PART LIST****MODEL:** KOBRA 260TS C2 **ARTICLE NUMBER:** 58.752E/S 240V-50Hz **SUPPLY ( UK/MALESIA )**  
E/S**REF. DRAW:** 02-04-07-09-11

<b>POS. ITEM</b>	<b>CODICE PART NUMBER</b>	<b>DESCRIZIONE</b>	<b>DESIGNATION</b>	<b>QUANTITA' QUANTITY</b>
052	27.117/230	SCHEDA ELETTRONICA	PC BOARD	1
088	07.090	MOTORIDUTTORE	GEAR MOTOR	1
089	22.007	CONDENSATORE 4mF	CAPACITOR 4mF	1
090	24.055	CAVO	POWER CORD	1
094	24.207	POMPA	PUMP	1
104	27.112/230	SCHEDA METALDETECTOR	PC BOARD METAL	1

**SPARE PART LIST****MODEL:** KOBRA 260TS C2 **ARTICLE NUMBER:** 58.802E/S 240V-50Hz **SUPPLY ( AUSTRALIA )**  
E/S**REF. DRAW:** 02-04-07-09-11

<b>POS. ITEM</b>	<b>CODICE PART NUMBER</b>	<b>DESCRIZIONE</b>	<b>DESIGNATION</b>	<b>QUANTITA' QUANTITY</b>
052	27.117/230	SCHEDA ELETTRONICA	PC BOARD	1
088	07.090	MOTORIDUTTORE	GEAR MOTOR	1
089	22.007	CONDENSATORE 4mF	CAPACITOR 4mF	1
090	24.009	CAVO	POWER CORD	1
094	24.207	POMPA	PUMP	1
104	27.112/230	SCHEDA METALDETECTOR	PC BOARD METAL	1



**SPARE PART LIST****MODEL:** KOBRA 260TS C2 **ARTICLE NUMBER:** 58.852E/S 240V-50Hz **SUPPLY ( INDIA )**  
E/S**REF. DRAW:** 02-04-07-09-11

<b>POS. ITEM</b>	<b>CODICE PART NUMBER</b>	<b>DESCRIZIONE</b>	<b>DESIGNATION</b>	<b>QUANTITA' QUANTITY</b>
052	27.117/230	SCHEDA ELETTRONICA	PC BOARD	1
088	07.090	MOTORIDUTTORE	GEAR MOTOR	1
089	22.007	CONDENSATORE 4mF	CAPACITOR 4mF	1
090	24.001	CAVO	POWER CORD	1
094	24.207	POMPA	PUMP	1
104	27.112/230	SCHEDA METALDETECTOR	PC BOARD METAL	1

**SPARE PART LIST****MODEL:** KOBRA 260TS C2 **ARTICLE NUMBER:** 58.902E/S 220V-60Hz **SUPPLY (BZ/ARABIA/PH )**  
E/S**REF. DRAW:** 02-04-07-09-11

<b>POS. ITEM</b>	<b>CODICE PART NUMBER</b>	<b>DESCRIZIONE</b>	<b>DESIGNATION</b>	<b>QUANTITA' QUANTITY</b>
052	27.117/230	SCHEDA ELETTRONICA	PC BOARD	1
088	07.090	MOTORIDUTTORE	GEAR MOTOR	1
089	22.003	CONDENSATORE 8mF	CAPACITOR 8mF	1
090	24.006	CAVO	POWER CORD	1
094	24.207	POMPA	PUMP	1
104	27.112/230	SCHEDA METALDETECTOR	PC BOARD METAL	1

## SPARE PART LIST

**MODEL:** KOBRA 260TS    **ARTICLE NUMBER:** COMMON PARTS 58.423 E/S  
C4 E/S

**REF. DRAW:** 01-02-04-06-07-09-11

<b>POS. ITEM</b>	<b>CODICE PART NUMBER</b>	<b>DESCRIZIONE</b>	<b>DESIGNATION</b>	<b>QUANTITA' QUANTITY</b>
001	01.813	MOBILE	CABINET	1
002	01.037	GUIDA	GUIDE	2
003	01.039	SUPPORTO VASCHETTA	PLASTIC BIN HOLDER	1
004	28.030	PORTASACCO	BAG HOLDER	1
005	32.012	RUOTA	CASTER	4
006	51.056	PIASTRINA	HINGE PLATE	2
007	51.057	CERNIERA	HINGE	2
008	51.038	MAGNETE	MAGNET	1
009	51.237	MANIGLIA	HANDLE	1
010	51.238	CRICCHETTO	LOCK	1
011	53.305	VITE 2,5X12	SCREW 2,5X12	3
012	53.306	VITE 2,9X13	SCREW 2,9X13	4
013	53.316	VITE M4X15	SCREW M4X15	6
014	53.359	VITE M4X16	SCREW M4X16	20
015	53.993	VITE 3,9X9,5	SCREW 3,9X9.5	1
016	53.994	VITE 3,5X16	SCREW 3,5X16	4
017	53.396	VITE M4X25	SCREW M4X25	2
018	02.158	BASE	BOTTOM COVER	1
019	02.159	COPERCHIO	PLASTIC COVER	1
020	02.163	PANNELLO	PANEL	1
021	02.055	DIFFUSSORE LUMINOSO	LIGHT OPTICAL INDICATOR	1
022	02.143	VASCHETTA RACCOLTA CD	CD PLASTIC WASTE BIN	1
023	04.173	RULLO	KNIFE	1
024	04.174	RULLO	KNIFE	1
025	06.018	PETTINE	STRIPPER	66
026	08.045	DISTANZIALE	ROD	2
027	08.046	DISTANZIALE	ROD	2
028	08.049	DISTANZIALE	ROD	1
029	08.067	DISTANZIALE	ROD	3
030	10.026	INGRANAGGIO	GEAR	2
031	10.029	INGRANAGGIO	GEAR	1
032	10.084	INGRANAGGIO	GEAR	1
033	11.012	CORONA	CHAIN WHEEL	1
034	12.009	PIGNONE	CHAIN WHEEL	1
035	13.012	CATENA	CHAIN	1
036	14.023	DISTANZIALE	ROD	6
037	14.045	PORTACUSCINETTO	BEARING HOLDER	2
038	14.204	PIASTRA DX	RIGHT PLATE	1
039	14.067	PIASTRA SX	LEFT PLATE	1
040	16.030	PARATIA CENTRALE	ROD PLATE	1
041	16.049	PARATIA POSTERIORE	BACK PLATE	1
042	16.225	PARATIA	ROD PLATE	1
043	23.036	INTERRUTTORE	ON/OFF SWITCH	1
044	24.235	LED BLU	LED LIGHT	2
047	24.237	CABLAGGIO SACCO PIENO	BAG FULL HARDNESS	1
048	24.212	SENSORE MAGNETICO	MAGNETIC SENSOR	1
049	25.015	MICROINTERRUTTORE	MICROSWITCH	1
050	25.045	TASTO INTERRUTTORE	SWITCH COVER	1
051	27.008	PORTADIODI	SENSOR HOLDER	3

## SPARE PART LIST

**MODEL:** KOBRA 260TS    **ARTICLE NUMBER:** COMMON PARTS 58.423 E/S  
C4 E/S

**REF. DRAW:** 01-02-04-06-07-09-11

<b>POS. ITEM</b>	<b>CODICE PART NUMBER</b>	<b>DESCRIZIONE</b>	<b>DESIGNATION</b>	<b>QUANTITA' QUANTITY</b>
053	27.118	PULSANTIERA	SWITCH PANEL	1
054	27.071	DIODO EMETTITORE	EMITTER DIODE	2
055	27.072	DIODO RICEVITORE	RECEIVER DIODE	2
056	29.067	SCATOLA IMBALLO	CARTON BOX	1
057	30.025	SET POLISTIROLO	STYROFOAM SET	1
058	37.309	ETICHETTA ENERGY SMART	ENERGY SMART LABEL	1
059	51.037	MOLLETTA	SPRING	6
060	51.068	SACCO	BAG	1
061	02.144	PETTINE	STRIPPER	1
062	02.145	PETTINE	STRIPPER	1
063	04.273	RULLO	KNIFE	1
064	04.274	RULLO	KNIFE	1
065	10.083	INGRANAGGIO	GEAR	2
066	14.056	PIASTRA SX	LEFT PLATE	1
067	53.301	VITE 4X10	SCREW 4X10	4
068	19.027	BOCCOLA	BUSHING	4
069	53.201	SEEGER DIA 12	LOCKING RING	3
070	53.602	ANTIVIBRANTI	SHOCK ABSORBER	2
071	10.079	INGRANAGGIO	GEAR	1
072	16.226	PARATIA SACCO	BAG FULL FLAP	1
073	53.603	PASSACAVO	BUSHING	1
091	16.031	PARATIA	ROD PLATE	1
092	16.211/V	CONTENITORE OLIO	OIL BOTTLE HOLDER	1
093	16.063	OIL WICK	OIL WICK	1
095	24.204	SENSORE OTTICO OLIO	OIL OPTICAL SENSOR	1
096	51.084	TAPPO	CAP	1
097	51.085	OLIO 1000cc	SHREDDER OIL	1
098	51.560	TUBO	TUBE	MT.1
102	51.610	RACCORDO	JUNCTION	1
103	53.305	VITE 2.5X12	SCREW 2.5X12	3
105	27.125	METALDETECTOR	METALDETECTOR	1
106	53.328	VITE 4X10	SCREW 4X10	2
107	18.025	PORTACUSCINETTO	BEARING HOLDER	2
108	19.014	CUSCINETTO 6002.2ZR	BEARING 6002.2ZR	4
109	53.142	RONDELLA	WASHER	4
110	53.143	RONDELLA	WASHER	4
111	53.200	SEEGER DIA 10	LOCKING RING	1
112	53.201	SEEGER DIA 12	LOCKING RING	1
113	53.349	VITE 4X16	SCREW 4X16	6
114	53.335	VITE M5X20	SCREW M5X20	4
115	53.415	LINGUETTA 5X5X16	KEY 5X5X16	4
116	53.411	LINGUETTA 4X4X14	KEY 4X4X12	1
117	53.801	RIVETTO	BLIND RIVET	8
118	53.804	RIVETTO	BLIND RIVET	16
119	53.203	SEEGER DIA 22	LOCKING RING	4
120	53.202	SEEGER DIA 15	LOCKING RING	7
126	60.063	ISTRUZIONI	OPERATING INSTRUCTION	1
127	60.004	DICHIARAZIONE CE		1

**SPARE PART LIST**

**MODEL:** KOBRA 260TS    **ARTICLE NUMBER:** COMMON PARTS 58.423 E/S  
C4 E/S

**REF. DRAW:** 01-02-04-06-07-09-11

<b>POS. ITEM</b>	<b>CODICE PART NUMBER</b>	<b>DESCRIZIONE</b>	<b>DESIGNATION</b>	<b>QUANTITA' QUANTITY</b>
128	60.001	GARANZIA	WARRANTY CARD	1
129	51.090	OLIO 125cc	SHREDDER OIL	1
130	24.268	CABLAGGIO SCHEDA PULSANTIERA	PC BOARD HARDNESS	1
131	53.348	VITE 2.5X6	SCREW 2.5X6	7
132	53.332	VITE M5X12	SCREW M5X12	4
133	53.143	RONDELLA	WASHER	4
135	01.034	SUPPORTO VASCHETTA INFERIORE	PLASTIC BIN HOLDER	1
136	30.027	ANGOLARE	CORNER	4
137	29.068	CARTONE	CARTON	1

**SPARE PART LIST****MODEL:** KOBRA 260TS C4 **ARTICLE NUMBER:** 58.453E/S 230V-50Hz **SUPPLY ( EUROPE )**  
E/S**REF. DRAW:** 02-04-07-09-11

<b>POS. ITEM</b>	<b>CODICE PART NUMBER</b>	<b>DESCRIZIONE</b>	<b>DESIGNATION</b>	<b>QUANTITA' QUANTITY</b>
052	27.117/230	SCHEDA ELETTRONICA	PC BOARD	1
088	07.090	MOTORIDUTTORE	GEAR MOTOR	1
089	22.003	CONDENSATORE 8mF	CAPACITOR 8mF	1
090	24.001	CAVO	POWER CORD	1
094	24.207	POMPA	PUMP	1
104	27.112/230	SCHEDA METALDETECTOR	PC BOARD METAL	1

**SPARE PART LIST****MODEL:** KOBRA 260TS C4 **ARTICLE NUMBER:** 58.503E/S 115V-60Hz **SUPPLY ( USA/CANADA )**  
E/S**REF. DRAW:** 02-04-07-09-11

<b>POS. ITEM</b>	<b>CODICE PART NUMBER</b>	<b>DESCRIZIONE</b>	<b>DESIGNATION</b>	<b>QUANTITA' QUANTITY</b>
052	27.117/115	SCHEDA ELETTRONICA	PC BOARD	1
088	07.091	MOTORIDUTTORE	GEAR MOTOR	1
089	22.005	CONDENSATORE 30mF	CAPACITOR 30Mf	1
090	24.006	CAVO	POWER CORD	1
094	24.208	POMPA	PUMP	1
104	27.112/115	SCHEDA METALDETECTOR	PC BOARD METAL	1

**SPARE PART LIST****MODEL:** KOBRA 260TS C4 **ARTICLE NUMBER:** 58.553E/S 110V-60Hz **SUPPLY ( TAIWAN/BRASIL )**  
E/S**REF. DRAW:** 02-04-07-09-11

<b>POS. ITEM</b>	<b>CODICE PART NUMBER</b>	<b>DESCRIZIONE</b>	<b>DESIGNATION</b>	<b>QUANTITA' QUANTITY</b>
052	27.117/115	SCHEDA ELETTRONICA	PC BOARD	1
088	07.091	MOTORIDUTTORE	GEAR MOTOR	1
089	22.005	CONDENSATORE 30mF	CAPACITOR 30Mf	1
090	24.006	CAVO	POWER CORD	1
094	24.208	POMPA	PUMP	1
104	27.112/115	SCHEDA METALDETECTOR	PC BOARD METAL	1

**SPARE PART LIST****MODEL:** KOBRA 260TS C4 **ARTICLE NUMBER:** 58.603E/S 100V-50/60 Hz **SUPPLY ( JAPAN )**  
E/S**REF. DRAW:** 02-04-07-09-11

<b>POS. ITEM</b>	<b>CODICE PART NUMBER</b>	<b>DESCRIZIONE</b>	<b>DESIGNATION</b>	<b>QUANTITA' QUANTITY</b>
052	27.117/115	SCHEDA ELETTRONICA	PC BOARD	1
088	07.091	MOTORIDUTTORE	GEAR MOTOR	1
089	22.002	CONDENSATORE 35mF	CAPACITOR 35Mf	1
090	24.010	CAVO	POWER CORD	1
094	24.208	POMPA	PUMP	1
104	27.112/115	SCHEDA METALDETECTOR	PC BOARD METAL	1

**SPARE PART LIST****MODEL:** KOBRA 260TS C4 **ARTICLE NUMBER:** 58.653E/S 230V-50Hz **SUPPLY ( ISRAELE )**  
E/S**REF. DRAW:** 02-04-07-09-11

<b>POS. ITEM</b>	<b>CODICE PART NUMBER</b>	<b>DESCRIZIONE</b>	<b>DESIGNATION</b>	<b>QUANTITA' QUANTITY</b>
052	27.117/230	SCHEDA ELETTRONICA	PC BOARD	1
088	07.090	MOTORIDUTTORE	GEAR MOTOR	1
089	22.003	CONDENSATORE 8mF	CAPACITOR 8mF	1
090	24.052	CAVO	POWER CORD	1
094	24.207	POMPA	PUMP	1
104	27.112/230	SCHEDA METALDETECTOR	PC BOARD METAL	1

**SPARE PART LIST****MODEL:** KOBRA 260TS C4 **ARTICLE NUMBER:** 58.703E/S 230V-50Hz **SUPPLY ( HK/BAHRAIN )**  
E/S**REF. DRAW:** 02-04-07-09-11

<b>POS. ITEM</b>	<b>CODICE PART NUMBER</b>	<b>DESCRIZIONE</b>	<b>DESIGNATION</b>	<b>QUANTITA' QUANTITY</b>
052	27.117/230	SCHEDA ELETTRONICA	PC BOARD	1
088	07.090	MOTORIDUTTORE	GEAR MOTOR	1
089	22.003	CONDENSATORE 8mF	CAPACITOR 8mF	1
090	24.055	CAVO	POWER CORD	1
094	24.207	POMPA	PUMP	1
104	27.112/230	SCHEDA METALDETECTOR	PC BOARD METAL	1

**SPARE PART LIST****MODEL:** KOBRA 260TS C4 **ARTICLE NUMBER:** 58.753E/S 240V-50Hz **SUPPLY ( UK/MALESIA )**  
E/S**REF. DRAW:** 02-04-07-09-11

<b>POS. ITEM</b>	<b>CODICE PART NUMBER</b>	<b>DESCRIZIONE</b>	<b>DESIGNATION</b>	<b>QUANTITA' QUANTITY</b>
052	27.117/230	SCHEDA ELETTRONICA	PC BOARD	1
088	07.090	MOTORIDUTTORE	GEAR MOTOR	1
089	22.007	CONDENSATORE 4mF	CAPACITOR 4mF	1
090	24.055	CAVO	POWER CORD	1
094	24.207	POMPA	PUMP	1
104	27.112/230	SCHEDA METALDETECTOR	PC BOARD METAL	1

**SPARE PART LIST****MODEL:** KOBRA 260TS C4 **ARTICLE NUMBER:** 58.803E/S 240V-50Hz **SUPPLY ( AUSTRALIA )**  
E/S**REF. DRAW:** 02-04-07-09-11

<b>POS. ITEM</b>	<b>CODICE PART NUMBER</b>	<b>DESCRIZIONE</b>	<b>DESIGNATION</b>	<b>QUANTITA' QUANTITY</b>
052	27.117/230	SCHEDA ELETTRONICA	PC BOARD	1
088	07.090	MOTORIDUTTORE	GEAR MOTOR	1
089	22.007	CONDENSATORE 4mF	CAPACITOR 4mF	1
090	24.009	CAVO	POWER CORD	1
094	24.207	POMPA	PUMP	1
104	27.112/230	SCHEDA METALDETECTOR	PC BOARD METAL	1

**SPARE PART LIST****MODEL:** KOBRA 260TS C4 **ARTICLE NUMBER:** 58.853E/S 240V-50Hz **SUPPLY ( INDIA )**  
E/S**REF. DRAW:** 02-04-07-09-11

<b>POS. ITEM</b>	<b>CODICE PART NUMBER</b>	<b>DESCRIZIONE</b>	<b>DESIGNATION</b>	<b>QUANTITA' QUANTITY</b>
052	27.117/230	SCHEDA ELETTRONICA	PC BOARD	1
088	07.090	MOTORIDUTTORE	GEAR MOTOR	1
089	22.007	CONDENSATORE 4mF	CAPACITOR 4mF	1
090	24.001	CAVO	POWER CORD	1
094	24.207	POMPA	PUMP	1
104	27.112/230	SCHEDA METALDETECTOR	PC BOARD METAL	1

**SPARE PART LIST****MODEL:** KOBRA 260TS C4 **ARTICLE NUMBER:** 58.903E/S 220V-60Hz **SUPPLY (BZ/ARABIA/PH )**  
E/S**REF. DRAW:** 02-04-07-09-11

<b>POS. ITEM</b>	<b>CODICE PART NUMBER</b>	<b>DESCRIZIONE</b>	<b>DESIGNATION</b>	<b>QUANTITA' QUANTITY</b>
052	27.117/230	SCHEDA ELETTRONICA	PC BOARD	1
088	07.090	MOTORIDUTTORE	GEAR MOTOR	1
089	22.003	CONDENSATORE 8mF	CAPACITOR 8mF	1
090	24.006	CAVO	POWER CORD	1
094	24.207	POMPA	PUMP	1
104	27.112/230	SCHEDA METALDETECTOR	PC BOARD METAL	1

## SPARE PART LIST

**MODEL:** KOBRA 260TS    **ARTICLE NUMBER:** COMMON PARTS 58.424 E/S  
HS E/S

**REF. DRAW:** 01-02-05-06-08-10-12

<b>POS. ITEM</b>	<b>CODICE PART NUMBER</b>	<b>DESCRIZIONE</b>	<b>DESIGNATION</b>	<b>QUANTITA' QUANTITY</b>
001	01.813	MOBILE	CABINET	1
002	01.037	GUIDA	GUIDE	2
004	28.030	PORTASACCO	BAG HOLDER	1
005	32.012	RUOTA	CASTER	4
006	51.056	PIASTRINA	HINGE PLATE	2
007	51.057	CERNIERA	HINGE	2
008	51.038	MAGNETE	MAGNET	1
009	51.237	MANIGLIA	HANDLE	1
010	51.238	CRICCHETTO	LOCK	1
011	53.305	VITE 2.5X12	SCREW 2,5X12	3
012	53.306	VITE 2.9X13	SCREW 2,9X13	4
013	53.316	VITE M4X15	SCREW M4X15	6
014	53.359	VITE 4X16	SCREW 4X16	24
015	53.993	VITE 3.9X9.5	SCREW 3.9X9.5	1
016	53.994	VITE 3.5X16	SCREW 3.5X16	4
017	53.396	VITE M4X25	SCREW M4X25	2
018	02.158	BASE	BOTTOM COVER	1
019	02.159	COPERCHIO	PLASTIC COVER	1
020	02.165	PANNELLO	PANEL	1
021	02.055	DIFFUSORE LUMINOSO	LIGHT OPTICAL INDICATOR	1
023	08.051	DISTANZIALE	ROD	4
024	08.053	DISTANZIALE	ROD	2
025	10.011	INGRANAGGIO	GEAR	2
026	11.012	CORONA	CHAIN WHEEL	1
027	12.005	PIGNONE	CHAIN WHEEL	1
028	13.017	CATENA	CHAIN	1
029	14.023	DISTANZIALE	ROD	6
030	14.059	PIASTRA SX	LEFT PLATE	1
031	14.060	PIASTRA DX	RIGHT PLATE	1
032	16.030	PARATIA	ROD PLATE	1
033	16.049	PARATIA POSTERIORE	BACK PLATE	1
034	16.226	PARATIA	ROD PLATE	1
035	18.030/A	PORTACUSCINETTO	BEARING HOLDER	2
036	18.030/B	PORTACUSCINETTO	BEARING HOLDER	2
037	19.014	CUSCINETTO 6002.2ZR	BEARING 6002.2ZR	4
038	53.134	RONDELLA	WASHER	8
039	53.142	RONDELLA	WASHER	8
040	53.143	RONDELLA	WASHER	16
041	53.144	RONDELLA	WASHER	2
042	53.200	SEEGER DIA 10	LOCKING RING	1
043	23.036	INTERRUTTORE	ON/OFF SWITCH	1
044	24.235	LED BLU	LED LIGHT	2
045	53.202	SEEGER DIA 15	LOCKING RING	4
046	53.301	VITE 4X10	SCREW 4X10	4
047	24.237	CABLAGGIO SACCO PIENO	BAG FULL HARDNESS	1
048	24.212	SENSORE MAGNETICO	MAGNETIC SENSOR	1
049	25.015	MICROINTERRUTTORE	MICROSWITCH	1
050	25.045	TASTO INTERRUTTORE	SWITCH COVER	1



**SPARE PART LIST****MODEL:** KOBRA 260TS **ARTICLE NUMBER:** COMMON PARTS 58.424 E/S  
HS E/S**REF. DRAW:** 01-02-05-06-08-10-12

<b>POS. ITEM</b>	<b>CODICE PART NUMBER</b>	<b>DESCRIZIONE</b>	<b>DESIGNATION</b>	<b>QUANTITA' QUANTITY</b>
051	27.008	PORTADIODI	SENSOR HOLDER	2
053	27.118	PULSANTIERA	SWITCH PANEL	1
054	27.071	DIODO EMETTITORE	EMITTER DIODE	1
055	27.072	DIODO RICEVITORE	RECEIVER DIODE	1
056	29.067	SCATOLA IMBALLO	CARTON BOX	1
057	30.025	SET POLISTIROLO	STYROFOAM SET	1
058	37.309	ETICHETTA ENERGY SMART	ENERGY SMART LABEL	1
059	51.037	MOLLETTA	SPRING	6
060	51.068	SACCO	BAG	1
061	53.327	VITE 4X20	SCREW 4X20	2
062	53.331	VITE M4X10	SCREW M4X10	2
063	53.332	VITE M5X12	SCREW M5X12	4
064	53.333	VITE M6X16	SCREW M6X16	2
065	53.335	VITE M5X20	SCREW M5X20	12
067	53.415	LINGUETTA 5X5X16	KEY 5X5X16	3
068	53.702	DADO M4	EXAGON NUT M4	2
069	53.704	DADO M6	EXAGON NUT M6	4
070	53.801	RIVETTO	BLIND RIVET	8
071	53.804	RIVETTO	BLIND RIVET	8
073	53.603	PASSACAVO	BUSHING	1
074	05.004	LAMA	BLADE	304
075	06.005	PETTINE	STRIPPER	304
076	17.021	ALBERO	SHAFT	1
077	17.022	ALBERO	SHAFT	1
078	36.002	ANELLO	RING	304
079	53.208	SEEGER DIA.29	LOCKING RING	4
081	16.063	OIL WICK	OIL WICK	1
082	24.204	SENSORE OTTICO OLIO	OIL OPTICAL SENSOR	1
083	51.560	TUBO	TUBE	MT.1
087	51.610	RACCORDO	JUNCTION	1
091	08.049	DISTANZIALE	ROD	1
092	16.211/V	CONTENITORE OLIO	OIL BOTTLE HOLDER	1
096	51.084	TAPPO	CAP	1
097	51.085	OLIO 1000cc	OIL	1
103	53.305	VITE 2.5X12	SCREW 2.5X12	3
105	27.125	METALDETECTOR	METALDETECTOR	1
106	53.328	VITE 4X10	SCREW 4X10	2
113	53.349	VITE 4X16	SCREW 4X16	6
126	60.063	ISTRUZIONI	OPERATING INSTRUCTION	1
127	60.004	DICHIARAZIONE CE		1
128	60.001	GARANZIA	WARRANTY CARD	1
129	51.090	OLIO 125CC	OIL	1
130	24.268	CABLAGGIO SCHEDA- PULSANTIERA	PC BOARD HARDNESS	1
131	53.348	VITE 2.5X6	SCREW 2.5X6	7
132	53.332	VITE M5X12	SCREW M5X12	4
133	53.143	RONDELLA	WASHER	4
135	01.034	SUPPORTO VASCHETTA INFERIORE	PLASTIC BIN HOLDER	1
136	30.027	ANGOLARE	CORNER	4
137	29.068	CARTONE	CARTON	1

**SPARE PART LIST**

**MODEL:** KOBRA 260TS      **ARTICLE NUMBER:** 58.454E/S 230V-50Hz      **SUPPLY ( EUROPE )**  
HS E/S

**REF. DRAW:** 02-05-08-10-12

<b>POS. ITEM</b>	<b>CODICE PART NUMBER</b>	<b>DESCRIZIONE</b>	<b>DESIGNATION</b>	<b>QUANTITA' QUANTITY</b>
052	27.117/230	SCHEDA ELETTRONICA	PC BOARD	1
088	07.090	MOTORIDUTTORE	GEAR MOTOR	1
089	22.003	CONDENSATORE 8mF	CAPACITOR 8mF	1
090	24.001	CAVO	POWER CORD	1
094	24.207	POMPA	PUMP	1
104	27.112/230	SCHEDA METALDETECTOR	PC BOARD METAL	1

**SPARE PART LIST**

**MODEL:** KOBRA 260TS      **ARTICLE NUMBER:** 58.504E/S 115V-60Hz      **SUPPLY ( USA/CANADA )**  
HS E/S

**REF. DRAW:** 02-05-08-10-12

<b>POS. ITEM</b>	<b>CODICE PART NUMBER</b>	<b>DESCRIZIONE</b>	<b>DESIGNATION</b>	<b>QUANTITA' QUANTITY</b>
052	27.117/115	SCHEDA ELETTRONICA	PC BOARD	1
088	07.091	MOTORIDUTTORE	GEAR MOTOR	1
089	22.005	CONDENSATORE 30mF	CAPACITOR 30Mf	1
090	24.006	CAVO	POWER CORD	1
094	24.208	POMPA	PUMP	1
104	27.112/115	SCHEDA METALDETECTOR	PC BOARD METAL	1

**SPARE PART LIST**

**MODEL:** KOBRA 260TS      **ARTICLE NUMBER:** 58.554E/S 110V-60Hz      **SUPPLY ( TAIWAN/BRASIL )**  
HS E/S

**REF. DRAW:** 02-05-08-10-12

<b>POS. ITEM</b>	<b>CODICE PART NUMBER</b>	<b>DESCRIZIONE</b>	<b>DESIGNATION</b>	<b>QUANTITA' QUANTITY</b>
052	27.117/115	SCHEDA ELETTRONICA	PC BOARD	1
088	07.091	MOTORIDUTTORE	GEAR MOTOR	1
089	22.005	CONDENSATORE 30mF	CAPACITOR 30Mf	1
090	24.006	CAVO	POWER CORD	1
094	24.208	POMPA	PUMP	1
104	27.112/115	SCHEDA METALDETECTOR	PC BOARD METAL	1

**SPARE PART LIST**

**MODEL:** KOBRA 260TS      **ARTICLE NUMBER:** 58.604E/S 100V-50/60 Hz      **SUPPLY ( JAPAN )**  
HS E/S

**REF. DRAW:** 02-05-08-10-12

<b>POS. ITEM</b>	<b>CODICE PART NUMBER</b>	<b>DESCRIZIONE</b>	<b>DESIGNATION</b>	<b>QUANTITA' QUANTITY</b>
052	27.117/115	SCHEDA ELETTRONICA	PC BOARD	1
088	07.091	MOTORIDUTTORE	GEAR MOTOR	1
089	22.002	CONDENSATORE 35mF	CAPACITOR 35Mf	1
090	24.010	CAVO	POWER CORD	1
094	24.208	POMPA	PUMP	1
104	27.112/115	SCHEDA METALDETECTOR	PC BOARD METAL	1

**SPARE PART LIST**

**MODEL:** KOBRA 260TS      **ARTICLE NUMBER:** 58.654E/S 230V-50Hz      **SUPPLY ( ISRAELE )**  
HS E/S

**REF. DRAW:** 02-05-08-10-12

<b>POS. ITEM</b>	<b>CODICE PART NUMBER</b>	<b>DESCRIZIONE</b>	<b>DESIGNATION</b>	<b>QUANTITA' QUANTITY</b>
052	27.117/230	SCHEDA ELETTRONICA	PC BOARD	1
088	07.090	MOTORIDUTTORE	GEAR MOTOR	1
089	22.003	CONDENSATORE 8mF	CAPACITOR 8mF	1
090	24.052	CAVO	POWER CORD	1
094	24.207	POMPA	PUMP	1
104	27.112/230	SCHEDA METALDETECTOR	PC BOARD METAL	1

**SPARE PART LIST**

**MODEL:** KOBRA 260TS      **ARTICLE NUMBER:** 58.704E/S 230V-50Hz      **SUPPLY ( HK/BAHRAIN )**  
HS E/S

**REF. DRAW:** 02-05-08-10-12

<b>POS. ITEM</b>	<b>CODICE PART NUMBER</b>	<b>DESCRIZIONE</b>	<b>DESIGNATION</b>	<b>QUANTITA' QUANTITY</b>
052	27.117/230	SCHEDA ELETTRONICA	PC BOARD	1
088	07.090	MOTORIDUTTORE	GEAR MOTOR	1
089	22.003	CONDENSATORE 8mF	CAPACITOR 8mF	1
090	24.055	CAVO	POWER CORD	1
094	24.207	POMPA	PUMP	1
104	27.112/230	SCHEDA METALDETECTOR	PC BOARD METAL	1

**SPARE PART LIST**

**MODEL:** KOBRA 260TS      **ARTICLE NUMBER:** 58.754E/S 240V-50Hz      **SUPPLY ( UK/MALESIA )**  
HS E/S

**REF. DRAW:** 02-05-08-10-12

<b>POS. ITEM</b>	<b>CODICE PART NUMBER</b>	<b>DESCRIZIONE</b>	<b>DESIGNATION</b>	<b>QUANTITA' QUANTITY</b>
052	27.117/230	SCHEDA ELETTRONICA	PC BOARD	1
088	07.090	MOTORIDUTTORE	GEAR MOTOR	1
089	22.007	CONDENSATORE 4mF	CAPACITOR 4mF	1
090	24.055	CAVO	POWER CORD	1
094	24.207	POMPA	PUMP	1
104	27.112/230	SCHEDA METALDETECTOR	PC BOARD METAL	1

**SPARE PART LIST**

**MODEL:** KOBRA 260TS      **ARTICLE NUMBER:** 58.854E/S 240V-50Hz      **SUPPLY ( INDIA )**  
HS E/S

**REF. DRAW:** 02-05-08-10-12

<b>POS. ITEM</b>	<b>CODICE PART NUMBER</b>	<b>DESCRIZIONE</b>	<b>DESIGNATION</b>	<b>QUANTITA' QUANTITY</b>
052	27.117/230	SCHEDA ELETTRONICA	PC BOARD	1
088	07.090	MOTORIDUTTORE	GEAR MOTOR	1
089	22.007	CONDENSATORE 4mF	CAPACITOR 4mF	1
090	24.001	CAVO	POWER CORD	1
094	24.207	POMPA	PUMP	1
104	27.112/230	SCHEDA METALDETECTOR	PC BOARD METAL	1

**SPARE PART LIST**

**MODEL:** KOBRA 260TS      **ARTICLE NUMBER:** 58.904E/S 220V-60Hz      **SUPPLY (BZ/ARABIA/PH)**  
HS E/S

**REF. DRAW:** 02-05-08-10-12

<b>POS. ITEM</b>	<b>CODICE PART NUMBER</b>	<b>DESCRIZIONE</b>	<b>DESIGNATION</b>	<b>QUANTITA' QUANTITY</b>
052	27.117/230	SCHEDA ELETTRONICA	PC BOARD	1
088	07.090	MOTORIDUTTORE	GEAR MOTOR	1
089	22.003	CONDENSATORE 8mF	CAPACITOR 8mF	1
090	24.006	CAVO	POWER CORD	1
094	24.207	POMPA	PUMP	1
104	27.112/230	SCHEDA METALDETECTOR	PC BOARD METAL	1

## SPARE PART LIST

**MODEL:** KOBRA 260TS    **ARTICLE NUMBER:** COMMON PARTS 58.425 E/S  
HS-6 E/S

**REF. DRAW:** 01-02-05-06-08-10-12

<b>POS. ITEM</b>	<b>CODICE PART NUMBER</b>	<b>DESCRIZIONE</b>	<b>DESIGNATION</b>	<b>QUANTITA' QUANTITY</b>
001	01.813/P	MOBILE	CABINET	1
002	01.037	GUIDA	GUIDE	2
004	28.030	PORTASACCO	BAG HOLDER	1
005	32.012	RUOTA	CASTER	4
006	51.056	PIASTRINA	HINGE PLATE	2
007	51.057	CERNIERA	HINGE	2
008	51.038	MAGNETE	MAGNET	1
009	51.237	MANIGLIA	HANDLE	1
010	51.238	CRICCHETTO	LOCK	1
011	53.305	VITE 2.5X12	SCREW 2,5X12	3
012	53.306	VITE 2.9X13	SCREW 2,9X13	4
013	53.316	VITE M4X15	SCREW M4X15	6
014	53.359	VITE 4X16	SCREW 4X16	24
015	53.993	VITE 3.9X9.5	SCREW 3.9X9.5	1
016	53.994	VITE 3.5X16	SCREW 3.5X16	4
017	53.396	VITE M4X25	SCREW M4X25	2
018	02.158	BASE	BOTTOM COVER	1
019	02.159	COPERCHIO	PLASTIC COVER	1
020	02.165	PANNELLO	PANEL	1
021	02.055	DIFFUSORE LUMINOSO	LIGHT OPTICAL INDICATOR	1
023	08.051	DISTANZIALE	ROD	4
024	08.053	DISTANZIALE	ROD	2
025	10.011	INGRANAGGIO	GEAR	2
026	11.030	CORONA	CHAIN WHEEL	1
027	12.003	PIGNONE	CHAIN WHEEL	1
028	13.028	CATENA	CHAIN	1
029	14.023	DISTANZIALE	ROD	6
030	14.059	PIASTRA SX	LEFT PLATE	1
031	14.060	PIASTRA DX	RIGHT PLATE	1
032	16.030	PARATIA	ROD PLATE	1
033	16.049	PARATIA POSTERIORE	BACK PLATE	1
034	16.226	PARATIA	ROD PLATE	1
035	18.030/A	PORTACUSCINETTO	BEARING HOLDER	2
036	18.030/B	PORTACUSCINETTO	BEARING HOLDER	2
037	19.014	CUSCINETTO 6002.2ZR	BEARING 6002.2ZR	4
038	53.134	RONDELLA	WASHER	8
039	53.142	RONDELLA	WASHER	8
040	53.143	RONDELLA	WASHER	16
041	53.144	RONDELLA	WASHER	2
042	53.200	SEEGER DIA 10	LOCKING RING	1
043	23.036	INTERRUTTORE	ON/OFF SWITCH	1
044	24.235	LED BLU	LED LIGHT	2
045	53.202	SEEGER DIA 15	LOCKING RING	4
046	53.301	VITE 4X10	SCREW 4X10	4
047	24.237	CABLAGGIO SACCO PIENO	BAG FULL HARDNESS	1
048	24.212	SENSORE MAGNETICO	MAGNETIC SENSOR	1
049	25.015	MICROINTERRUTTORE	MICROSWITCH	1
050	25.045	TASTO INTERRUTTORE	SWITCH COVER	1

## SPARE PART LIST

**MODEL:** KOBRA 260TS    **ARTICLE NUMBER:** COMMON PARTS 58.425 E/S  
HS-6 E/S

**REF. DRAW:** 01-02-05-06-08-10-12

<b>POS. ITEM</b>	<b>CODICE PART NUMBER</b>	<b>DESCRIZIONE</b>	<b>DESIGNATION</b>	<b>QUANTITA' QUANTITY</b>
051	27.008	PORTADIODI	SENSOR HOLDER	2
053	27.118	PULSANTIERA	SWITCH PANEL	1
054	27.071	DIODO EMETTITORE	EMITTER DIODE	1
055	27.072	DIODO RICEVITORE	RECEIVER DIODE	1
056	29.067	SCATOLA IMBALLO	CARTON BOX	1
057	30.025	SET POLISTIROLO	STYROFOAM SET	1
058	37.309	ETICHETTA ENERGY SMART	ENERGY SMART LABEL	1
059	51.037	MOLLETTA	SPRING	6
060	51.068	SACCO	BAG	1
061	53.327	VITE 4X20	SCREW 4X20	2
062	53.331	VITE M4X10	SCREW M4X10	2
063	53.332	VITE M5X12	SCREW M5X12	4
064	53.333	VITE M6X16	SCREW M6X16	2
065	53.335	VITE M5X20	SCREW M5X20	12
067	53.415	LINGUETTA 5X5X16	KEY 5X5X16	3
068	53.702	DADO M4	EXAGON NUT M4	2
069	53.704	DADO M6	EXAGON NUT M6	4
070	53.801	RIVETTO	BLIND RIVET	8
071	53.804	RIVETTO	BLIND RIVET	8
073	53.603	PASSACAVO	BUSHING	1
074	05.011	LAMA	BLADE	294
075	06.005	PETTINE	STRIPPER	50
076	17.021	ALBERO	SHAFT	1
077	17.022	ALBERO	SHAFT	1
078	36.004	ANELLO	RING	294
079	53.208	SEEGER DIA.29	LOCKING RING	4
080	06.006	PETTINE	STRIPPER	250
081	16.063	OIL WICK	OIL WICK	1
082	24.204	SENSORE OTTICO OLIO	OIL OPTICAL SENSOR	1
083	51.560	TUBO	TUBE	MT.1
087	51.610	RACCORDO	JUNCTION	1
091	08.049	DISTANZIALE	ROD	1
092	16.211/V	CONTENITORE OLIO	OIL BOTTLE HOLDER	1
096	51.084	TAPPO	CAP	1
097	51.085	OLIO 1000cc	OIL	1
103	53.305	VITE 2.5X12	SCREW 2.5X12	3
105	27.125	METALDETECTOR	METALDETECTOR	1
106	53.328	VITE 4X10	SCREW 4X10	2
113	53.349	VITE 4X16	SCREW 4X16	6
126	60.063	ISTRUZIONI	OPERATING INSTRUCTION	1
127	60.004	DICHIARAZIONE CE		1
128	60.001	GARANZIA	WARRANTY CARD	1
129	51.090	OLIO 125CC	OIL	1
130	24.268	CABLAGGIO SCHEDA- PULSANTIERA	PC BOARD HARDNESS	1
131	53.348	VITE 2.5X6	SCREW 2.5X6	7
132	53.332	VITE M5X12	SCREW M5X12	4
133	53.143	RONDELLA	WASHER	4
135	01.034	SUPPORTO VASCHETTA INFERIORE	PLASTIC BIN HOLDER	1
136	30.027	ANGOLARE	CORNER	4
137	29.068	CARTONE	CARTON	1

**SPARE PART LIST****MODEL:** KOBRA 260TS      **ARTICLE NUMBER:** 58.455E/S 230V-50Hz      **SUPPLY ( EUROPE )**  
HS-6 E/S**REF. DRAW:** 02-05-08-10-12

<b>POS. ITEM</b>	<b>CODICE PART NUMBER</b>	<b>DESCRIZIONE</b>	<b>DESIGNATION</b>	<b>QUANTITA' QUANTITY</b>
052	27.117/230	SCHEDA ELETTRONICA	PC BOARD	1
088	07.090	MOTORIDUTTORE	GEAR MOTOR	1
089	22.003	CONDENSATORE 8mF	CAPACITOR 8mF	1
090	24.001	CAVO	POWER CORD	1
094	24.207	POMPA	PUMP	1
104	27.112/230	SCHEDA METALDETECTOR	PC BOARD METAL	1

**SPARE PART LIST****MODEL:** KOBRA 260TS      **ARTICLE NUMBER:** 58.505E/S 115V-60Hz      **SUPPLY ( USA/CANADA )**  
HS-6 E/S**REF. DRAW:** 02-05-08-10-12

<b>POS. ITEM</b>	<b>CODICE PART NUMBER</b>	<b>DESCRIZIONE</b>	<b>DESIGNATION</b>	<b>QUANTITA' QUANTITY</b>
052	27.117/115	SCHEDA ELETTRONICA	PC BOARD	1
088	07.091	MOTORIDUTTORE	GEAR MOTOR	1
089	22.005	CONDENSATORE 30mF	CAPACITOR 30Mf	1
090	24.006	CAVO	POWER CORD	1
094	24.208	POMPA	PUMP	1
104	27.112/115	SCHEDA METALDETECTOR	PC BOARD METAL	1

**SPARE PART LIST****MODEL:** KOBRA 260TS      **ARTICLE NUMBER:** 58.555E/S 110V-60Hz      **SUPPLY ( TAIWAN/BRASIL )**  
HS-6 E/S**REF. DRAW:** 02-05-08-10-12

<b>POS. ITEM</b>	<b>CODICE PART NUMBER</b>	<b>DESCRIZIONE</b>	<b>DESIGNATION</b>	<b>QUANTITA' QUANTITY</b>
052	27.117/115	SCHEDA ELETTRONICA	PC BOARD	1
088	07.091	MOTORIDUTTORE	GEAR MOTOR	1
089	22.005	CONDENSATORE 30mF	CAPACITOR 30Mf	1
090	24.006	CAVO	POWER CORD	1
094	24.208	POMPA	PUMP	1
104	27.112/115	SCHEDA METALDETECTOR	PC BOARD METAL	1

**SPARE PART LIST****MODEL:** KOBRA 260TS      **ARTICLE NUMBER:** 58.605E/S 100V-50/60 Hz      **SUPPLY ( JAPAN )**  
HS-6 E/S**REF. DRAW:** 02-05-08-10-12

<b>POS. ITEM</b>	<b>CODICE PART NUMBER</b>	<b>DESCRIZIONE</b>	<b>DESIGNATION</b>	<b>QUANTITA' QUANTITY</b>
052	27.117/115	SCHEDA ELETTRONICA	PC BOARD	1
088	07.091	MOTORIDUTTORE	GEAR MOTOR	1
089	22.002	CONDENSATORE 35mF	CAPACITOR 35Mf	1
090	24.010	CAVO	POWER CORD	1
094	24.208	POMPA	PUMP	1
104	27.112/115	SCHEDA METALDETECTOR	PC BOARD METAL	1

**SPARE PART LIST**

**MODEL:** KOBRA 260TS      **ARTICLE NUMBER:** 58.655E/S 230V-50Hz      **SUPPLY ( ISRAELE )**  
HS-6 E/S

**REF. DRAW:** 02-05-08-10-12

<b>POS. ITEM</b>	<b>CODICE PART NUMBER</b>	<b>DESCRIZIONE</b>	<b>DESIGNATION</b>	<b>QUANTITA' QUANTITY</b>
052	27.117/230	SCHEDA ELETTRONICA	PC BOARD	1
088	07.090	MOTORIDUTTORE	GEAR MOTOR	1
089	22.003	CONDENSATORE 8mF	CAPACITOR 8mF	1
090	24.052	CAVO	POWER CORD	1
094	24.207	POMPA	PUMP	1
104	27.112/230	SCHEDA METALDETECTOR	PC BOARD METAL	1

**SPARE PART LIST**

**MODEL:** KOBRA 260TS      **ARTICLE NUMBER:** 58.705E/S 230V-50Hz      **SUPPLY ( HK/BAHRAIN )**  
HS-6 E/S

**REF. DRAW:** 02-05-08-10-12

<b>POS. ITEM</b>	<b>CODICE PART NUMBER</b>	<b>DESCRIZIONE</b>	<b>DESIGNATION</b>	<b>QUANTITA' QUANTITY</b>
052	27.117/230	SCHEDA ELETTRONICA	PC BOARD	1
088	07.090	MOTORIDUTTORE	GEAR MOTOR	1
089	22.003	CONDENSATORE 8mF	CAPACITOR 8mF	1
090	24.055	CAVO	POWER CORD	1
094	24.207	POMPA	PUMP	1
104	27.112/230	SCHEDA METALDETECTOR	PC BOARD METAL	1

**SPARE PART LIST**

**MODEL:** KOBRA 260TS      **ARTICLE NUMBER:** 58.755E/S 240V-50Hz      **SUPPLY ( UK/MALESIA )**  
HS-6 E/S

**REF. DRAW:** 02-05-08-10-12

<b>POS. ITEM</b>	<b>CODICE PART NUMBER</b>	<b>DESCRIZIONE</b>	<b>DESIGNATION</b>	<b>QUANTITA' QUANTITY</b>
052	27.117/230	SCHEDA ELETTRONICA	PC BOARD	1
088	07.090	MOTORIDUTTORE	GEAR MOTOR	1
089	22.007	CONDENSATORE 4mF	CAPACITOR 4mF	1
090	24.055	CAVO	POWER CORD	1
094	24.207	POMPA	PUMP	1
104	27.112/230	SCHEDA METALDETECTOR	PC BOARD METAL	1

**SPARE PART LIST**

**MODEL:** KOBRA 260TS      **ARTICLE NUMBER:** 58.805E/S 240V-50Hz      **SUPPLY ( AUSTRALIA )**  
HS-6 E/S

**REF. DRAW:** 02-05-08-10-12

<b>POS. ITEM</b>	<b>CODICE PART NUMBER</b>	<b>DESCRIZIONE</b>	<b>DESIGNATION</b>	<b>QUANTITA' QUANTITY</b>
052	27.117/230	SCHEDA ELETTRONICA	PC BOARD	1
088	07.090	MOTORIDUTTORE	GEAR MOTOR	1
089	22.007	CONDENSATORE 4mF	CAPACITOR 4mF	1
090	24.009	CAVO	POWER CORD	1
094	24.207	POMPA	PUMP	1
104	27.112/230	SCHEDA METALDETECTOR	PC BOARD METAL	1



**SPARE PART LIST**

**MODEL:** KOBRA 260TS      **ARTICLE NUMBER:** 58.855E/S 240V-50Hz      **SUPPLY ( INDIA )**  
HS-6 E/S

**REF. DRAW:** 02-05-08-10-12

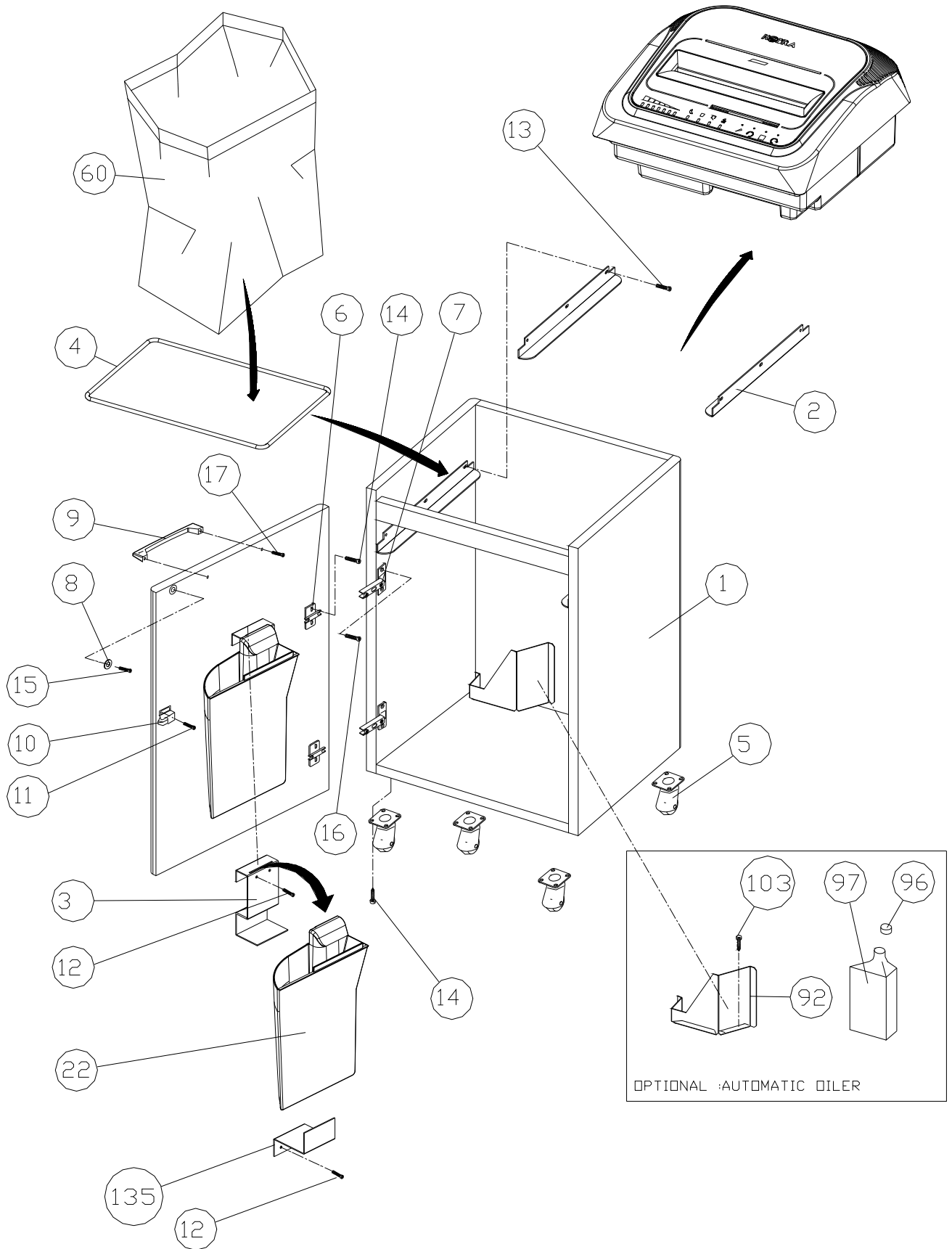
<b>POS. ITEM</b>	<b>CODICE PART NUMBER</b>	<b>DESCRIZIONE</b>	<b>DESIGNATION</b>	<b>QUANTITA' QUANTITY</b>
052	27.117/230	SCHEDA ELETTRONICA	PC BOARD	1
088	07.090	MOTORIDUTTORE	GEAR MOTOR	1
089	22.007	CONDENSATORE 4mF	CAPACITOR 4mF	1
090	24.001	CAVO	POWER CORD	1
094	24.207	POMPA	PUMP	1
104	27.112/230	SCHEDA METALDETECTOR	PC BOARD	1

**SPARE PART LIST**

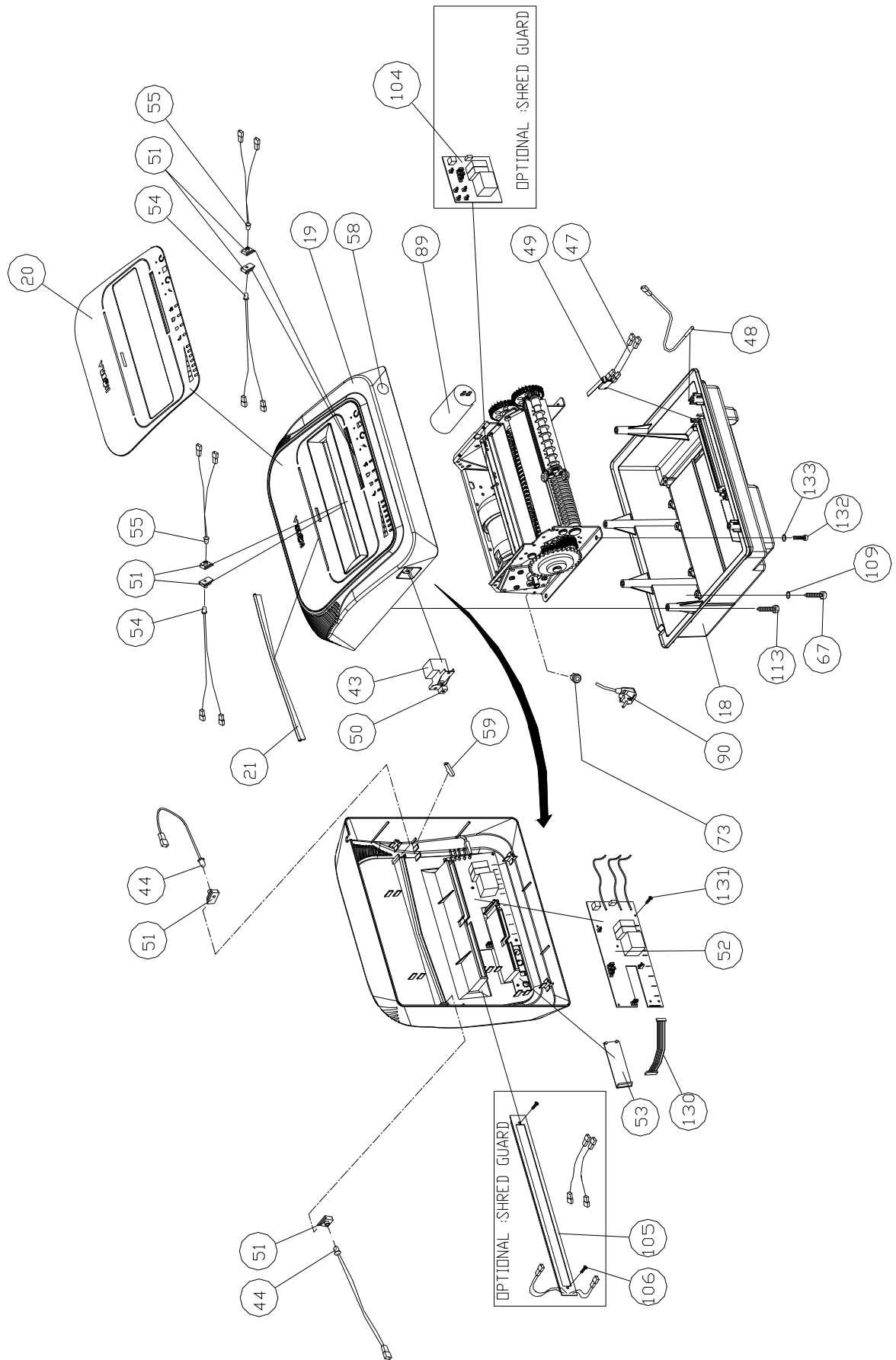
**MODEL:** KOBRA 260TS      **ARTICLE NUMBER:** 58.905E/S 220V-60Hz      **SUPPLY (BZ/ARABIA/PH )**  
HS-6 E/S

**REF. DRAW:** 02-05-08-10-12

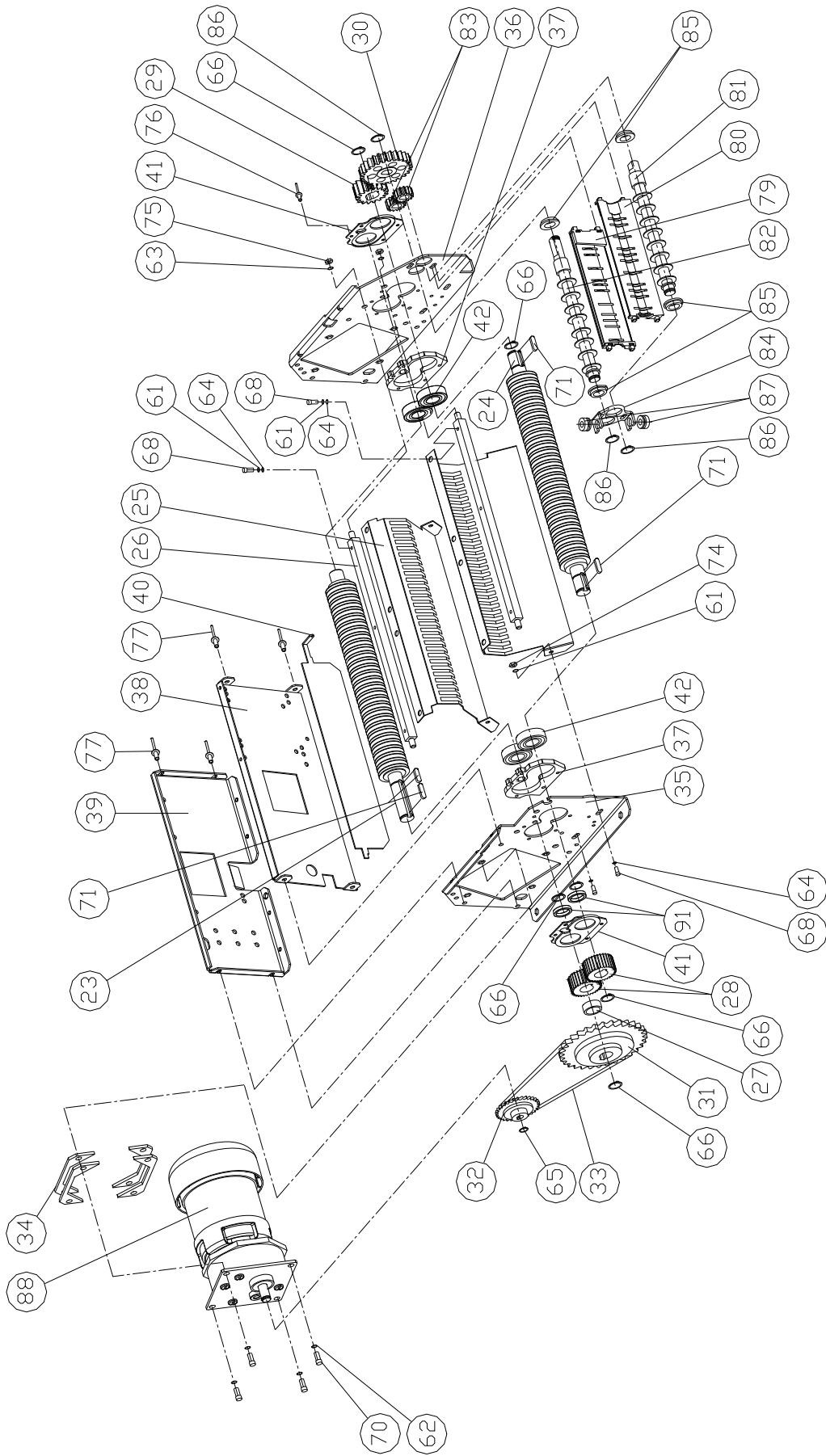
<b>POS. ITEM</b>	<b>CODICE PART NUMBER</b>	<b>DESCRIZIONE</b>	<b>DESIGNATION</b>	<b>QUANTITA' QUANTITY</b>
052	27.117/230	SCHEDA ELETTRONICA	PC BOARD	1
088	07.090	MOTORIDUTTORE	GEAR MOTOR	1
089	22.003	CONDENSATORE 8mF	CAPACITOR 8mF	1
090	24.006	CAVO	POWER CORD	1
094	24.207	POMPA	PUMP	1
104	27.112/230	SCHEDA METALDETECTOR	PC BOARD METAL	1



DISEGNO / DRAWING 01



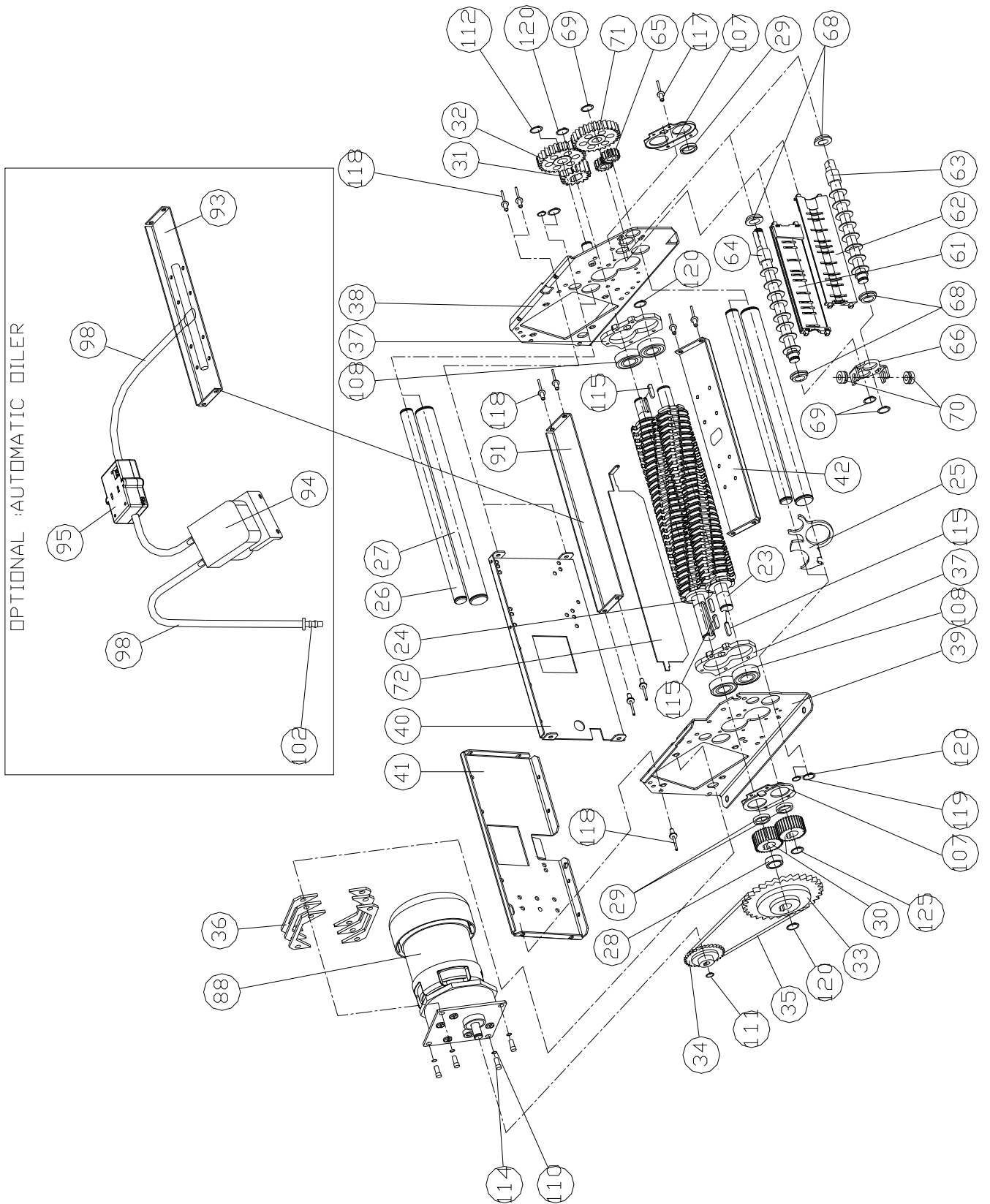
DISEGNO / DRAWING 02



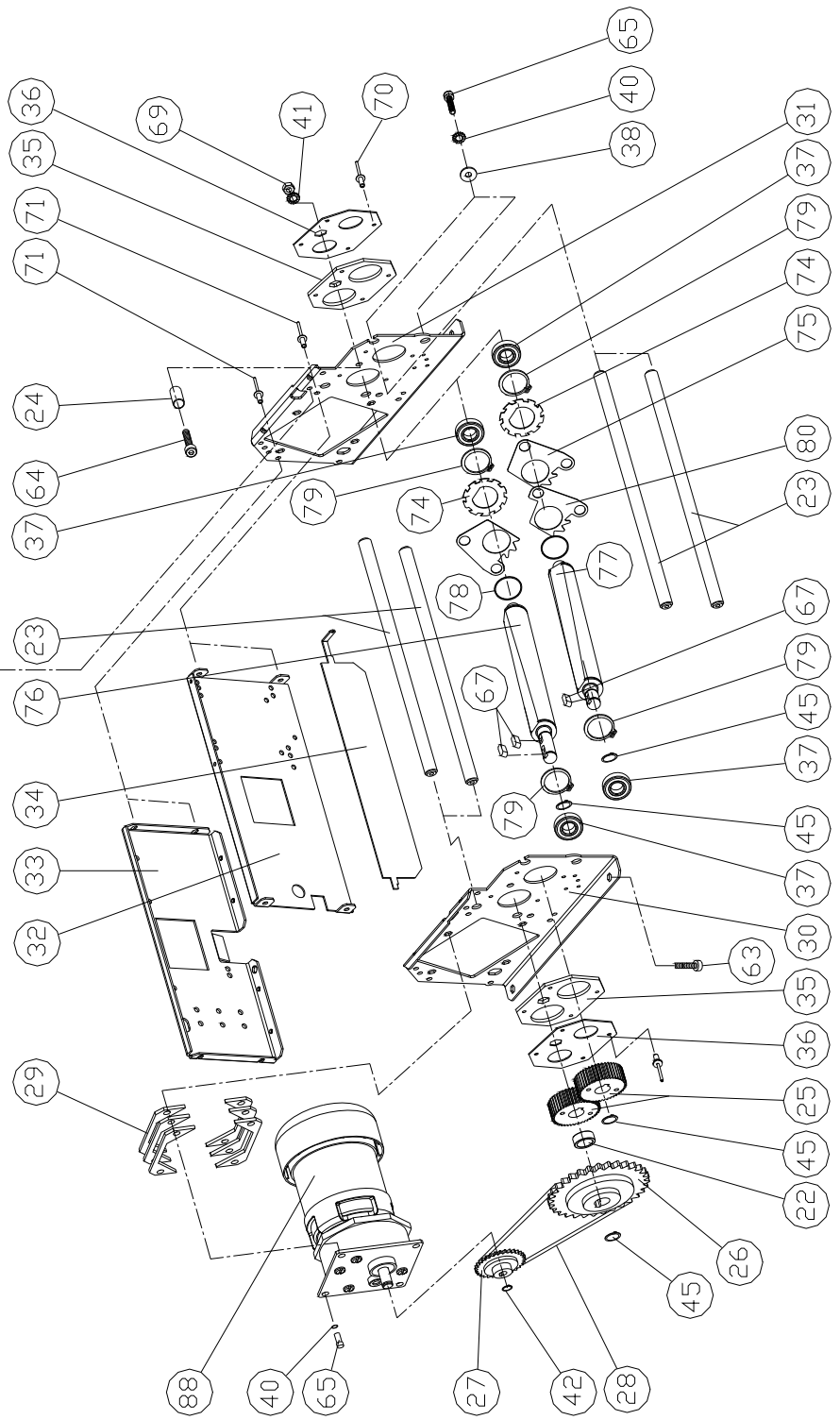
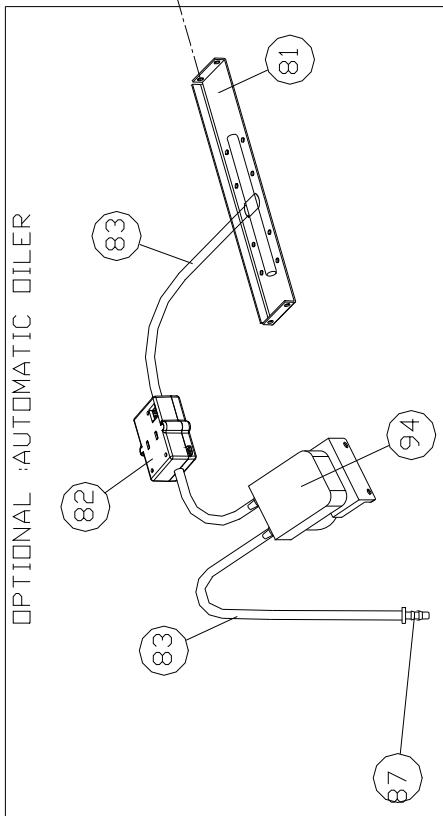
DISEGNO / DRAWING 03

DI-142/00/10.01.10

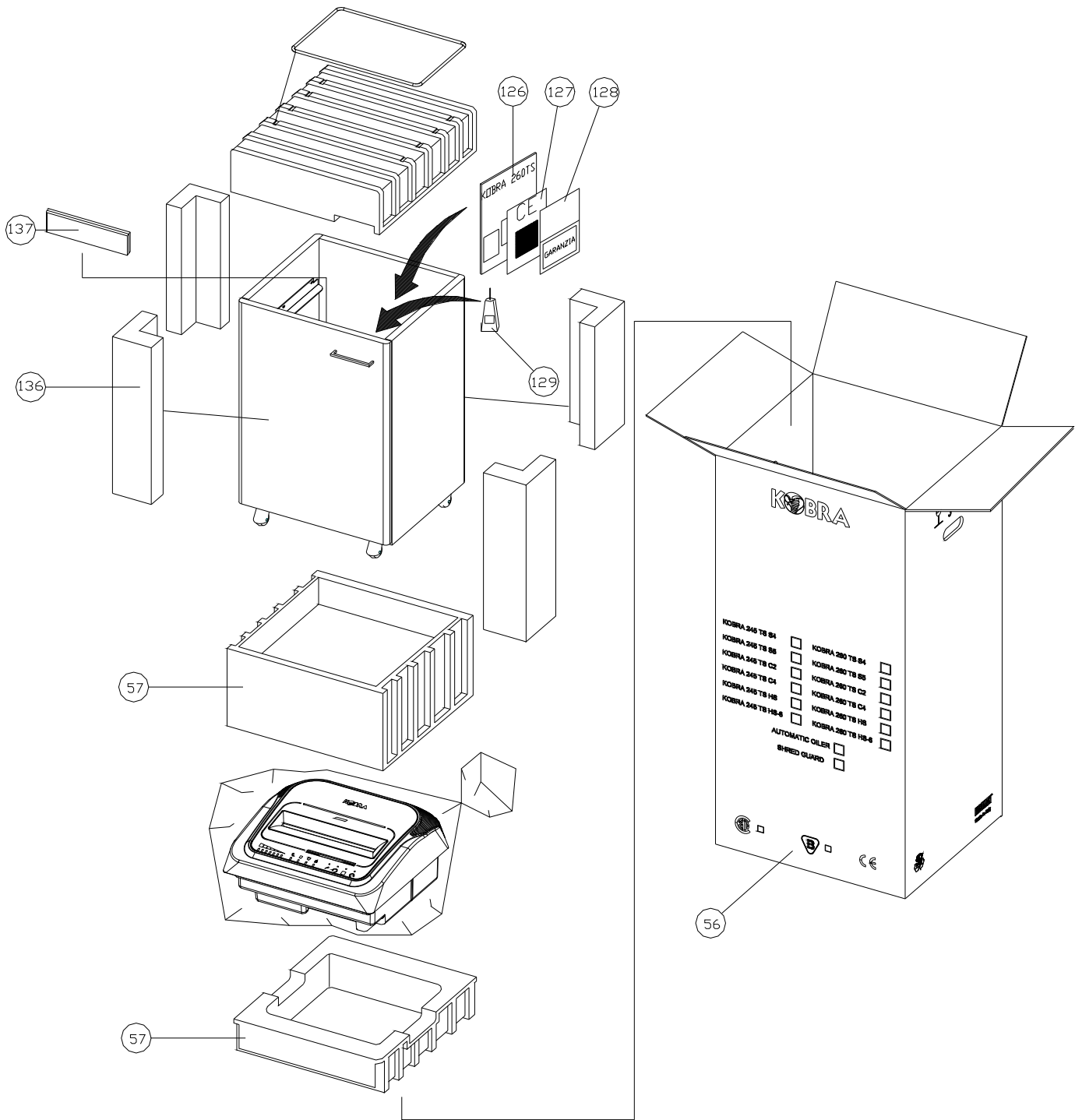
OPTIONAL :AUTOMATIC OILER



DISEGNO / DRAWING 04

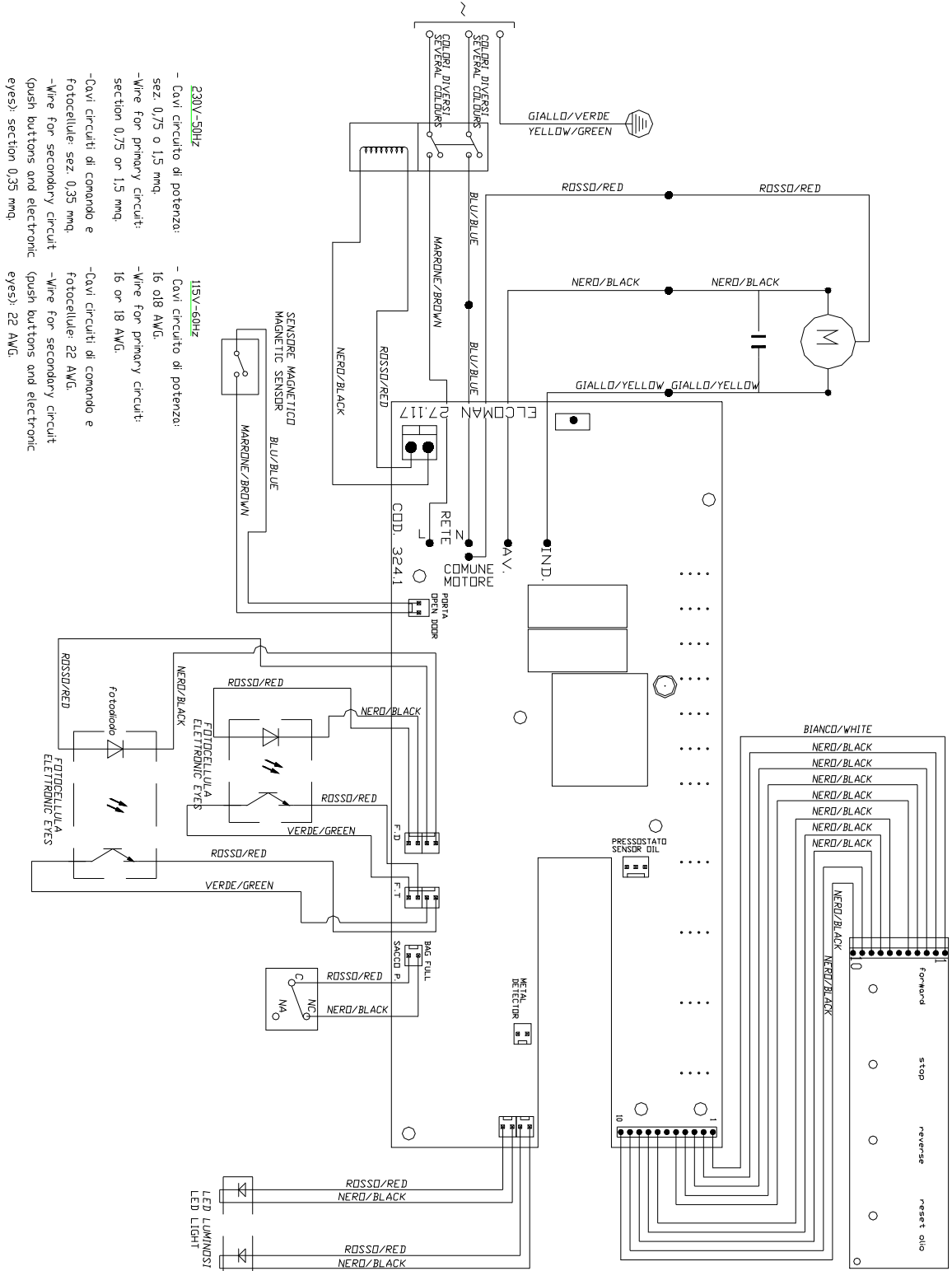


DISEGNO / DRAWING 05



DISEGNO / DRAWING 06

LINEA DI ALIMENTAZIONE (100V-110V-115V-230V/50-60Hz)  
 A.C. SUPPLY (115-110-100V/50-60Hz)



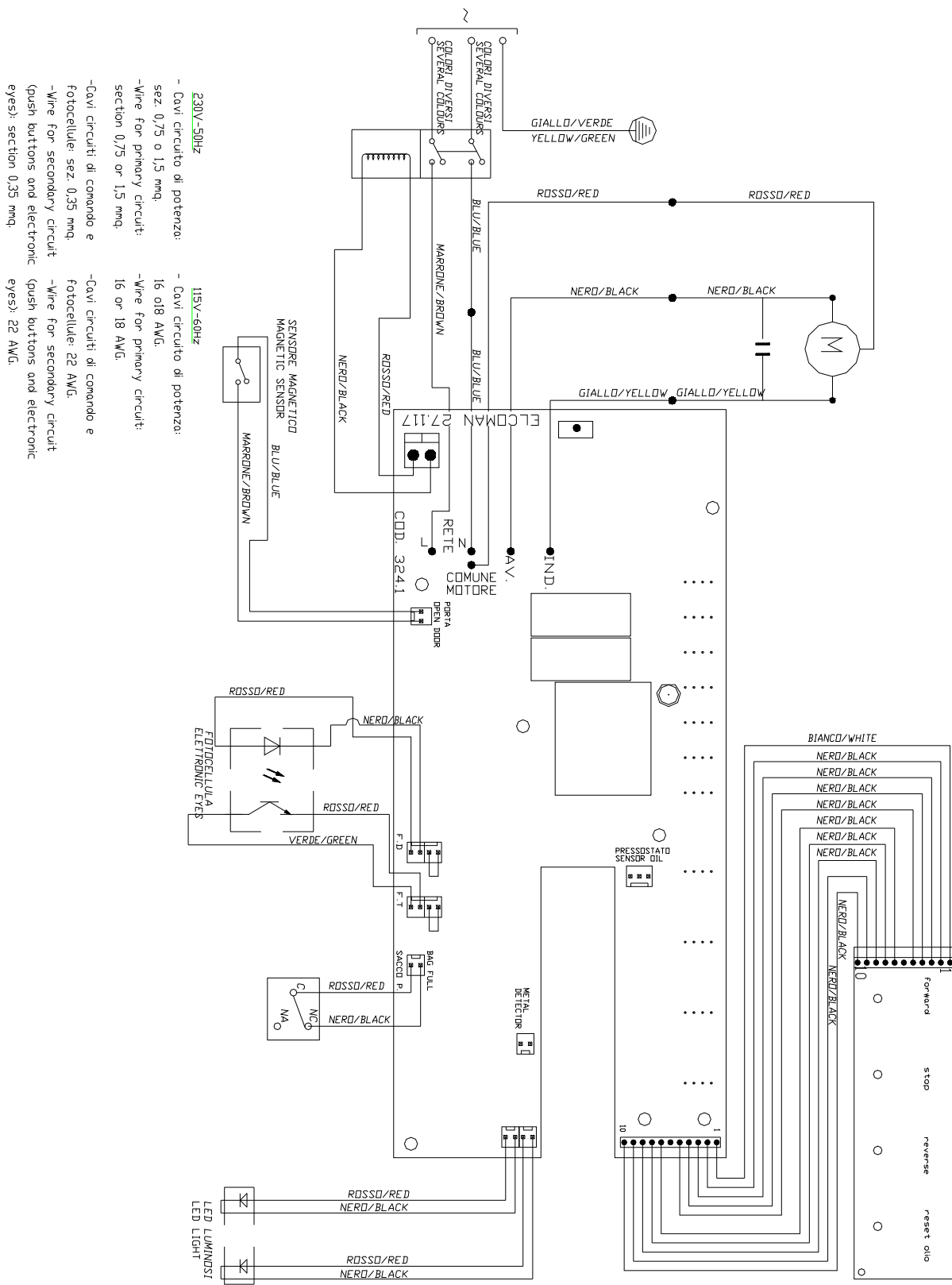
- Cavi circuito di potenza: sez. 0,75 o 1,5 mmq.
- Wire for primary circuit: section 0,75 or 1,5 mmq.
- Cavi circuito di comando e fotocellule: sez. 0,35 mmq.
- Wire for secondary circuit (push buttons and electronic eyes): section 0,35 mmq.
- Cavi circuito di potenza: sez. 16 o 18 AWG.
- Wire for primary circuit: 16 or 18 AWG.
- Cavi circuito di comando e fotocellule: 22 AWG.
- Wire for secondary circuit (push buttons and electronic eyes): 22 AWG.

KOBRA 260 TS -S4-S5-C2-C4

DISEGNO / DRAWING 07



LINEA DI ALIMENTAZIONE (100V-110V-115V-230V/50-60Hz)  
 A.C. SUPPLY (115-110-100V/50-60Hz)

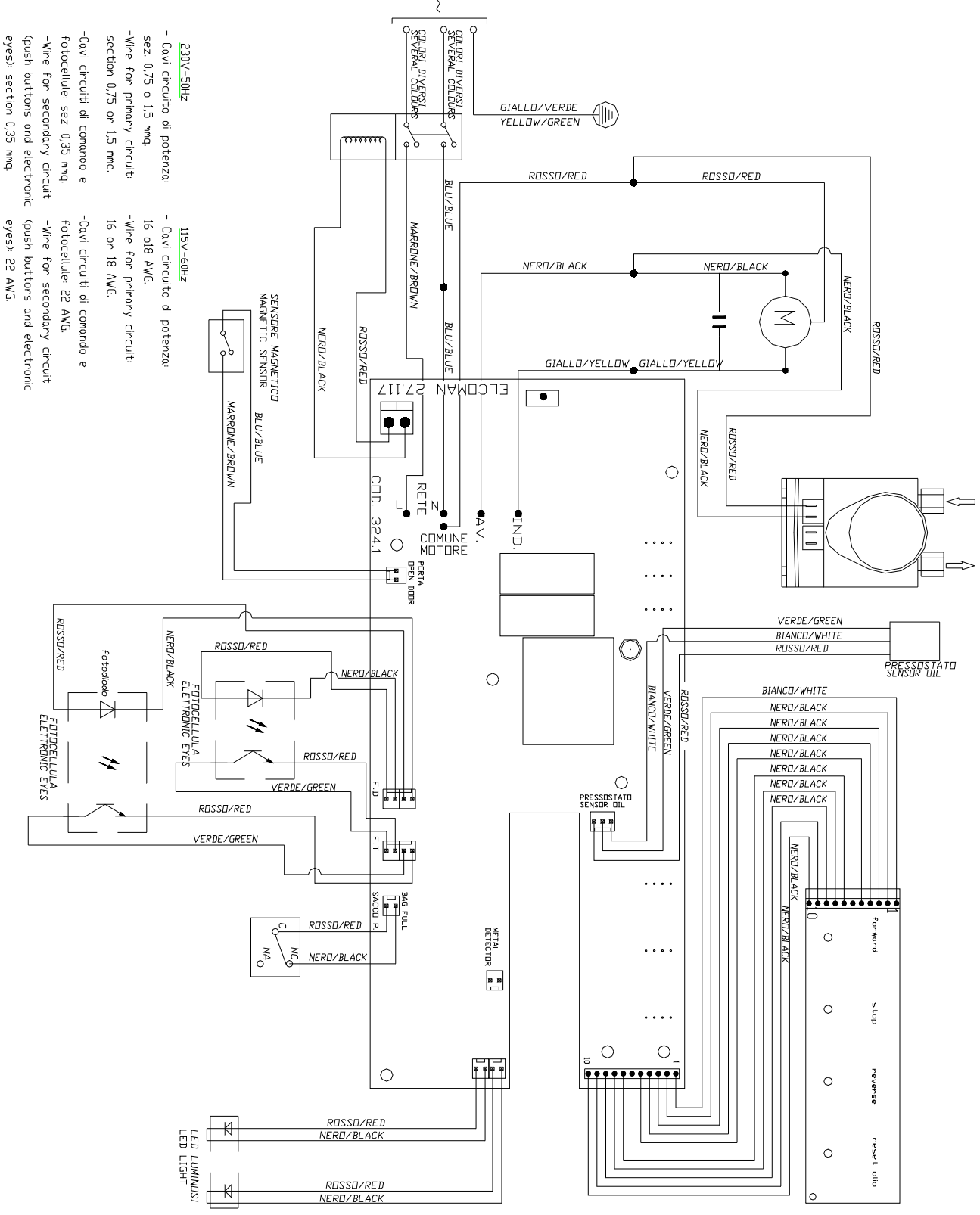


- 230V-50Hz**
- Cavi circuito di potenza: sez. 0,75 o 1,5 mmq.
  - Wire for primary circuit: section 0,75 or 1,5 mmq.
- 115V-60Hz**
- Cavi circuito di potenza: 16 o 18 AWG.
  - Wire for primary circuit: 16 or 18 AWG.
- Cavi circuiti di comando e fotocellule: sez. 0,35 mmq. -Wire for secondary circuit (push buttons and electronic eyes): section 0,35 mmq.

KOBRA 260TS HS-HS/6

DISEGNO / DRAWING 08

LINEA DI ALIMENTAZIONE (100V-110V-115V-230V/50-60Hz)  
 A.C. SUPPLY (115-110-100V/50-60Hz)



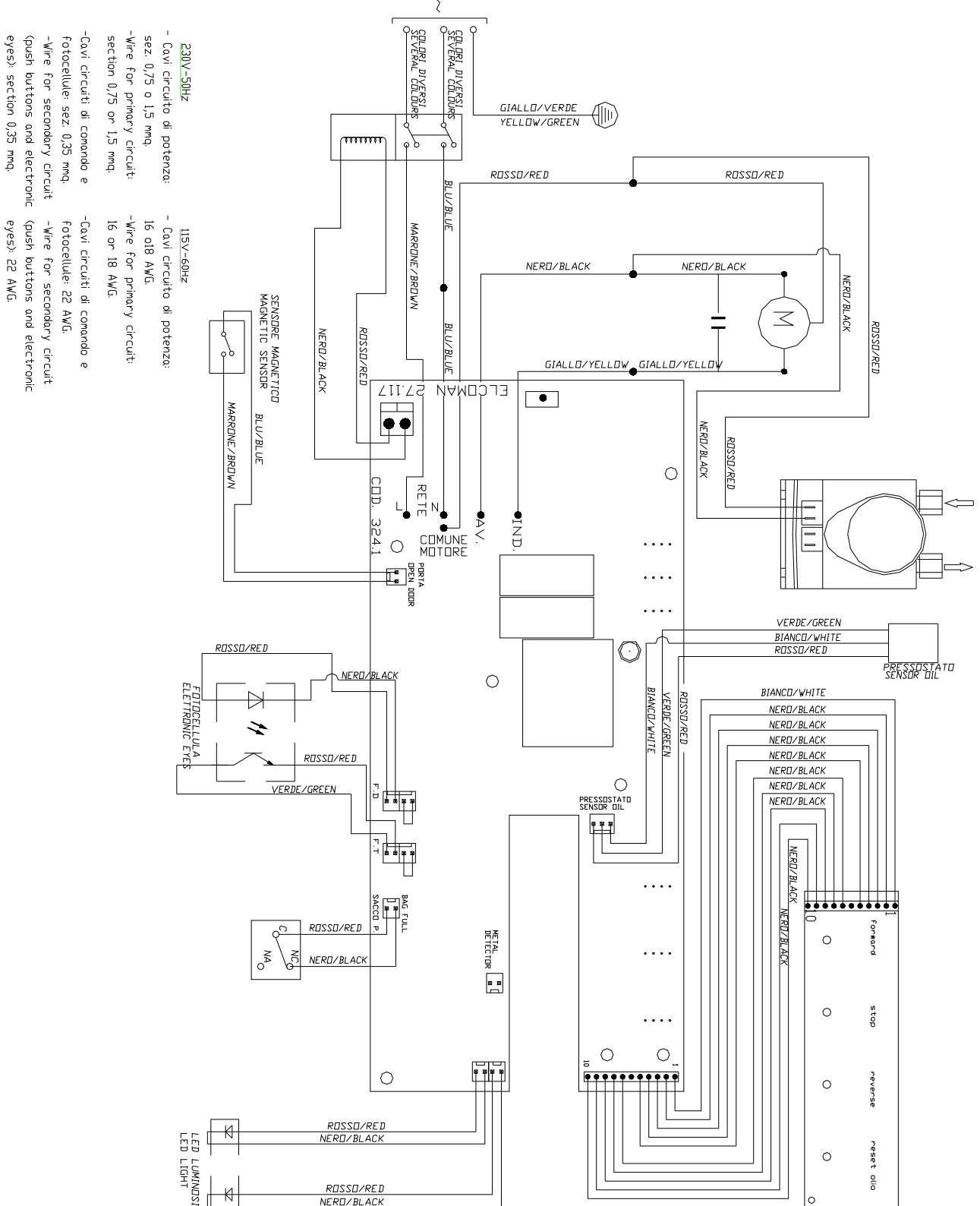
- Cavi circuito di potenza: sez. 0,75 o 1,5 mmq.
- Wire for primary circuit: section 0,75 or 1,5 mmq.
- Cavi circuiti di comando e fotocellule: sez. 0,35 mmq.
- Wire for secondary circuit (push buttons and electronic eyes): section 0,35 mmq.

- Cavi circuito di potenza: 16 o 18 AWG.
- Wire for primary circuit: 16 or 18 AWG.
- Cavi circuiti di comando e fotocellule: 22 AWG.
- Wire for secondary circuit (push buttons and electronic eyes): 22 AWG.

KOBRA 260TS C2-C4 AUTO OILER

DISEGNO / DRAWING 09

LINEA DI ALIMENTAZIONE (100V-110V-115V-230V/50-60Hz)  
A.C. SUPPLY (115-110-100V/50-60Hz)



KOBRA 260TS HS-HS/6 AUTO OILER

DISEGNO / DRAWING 10

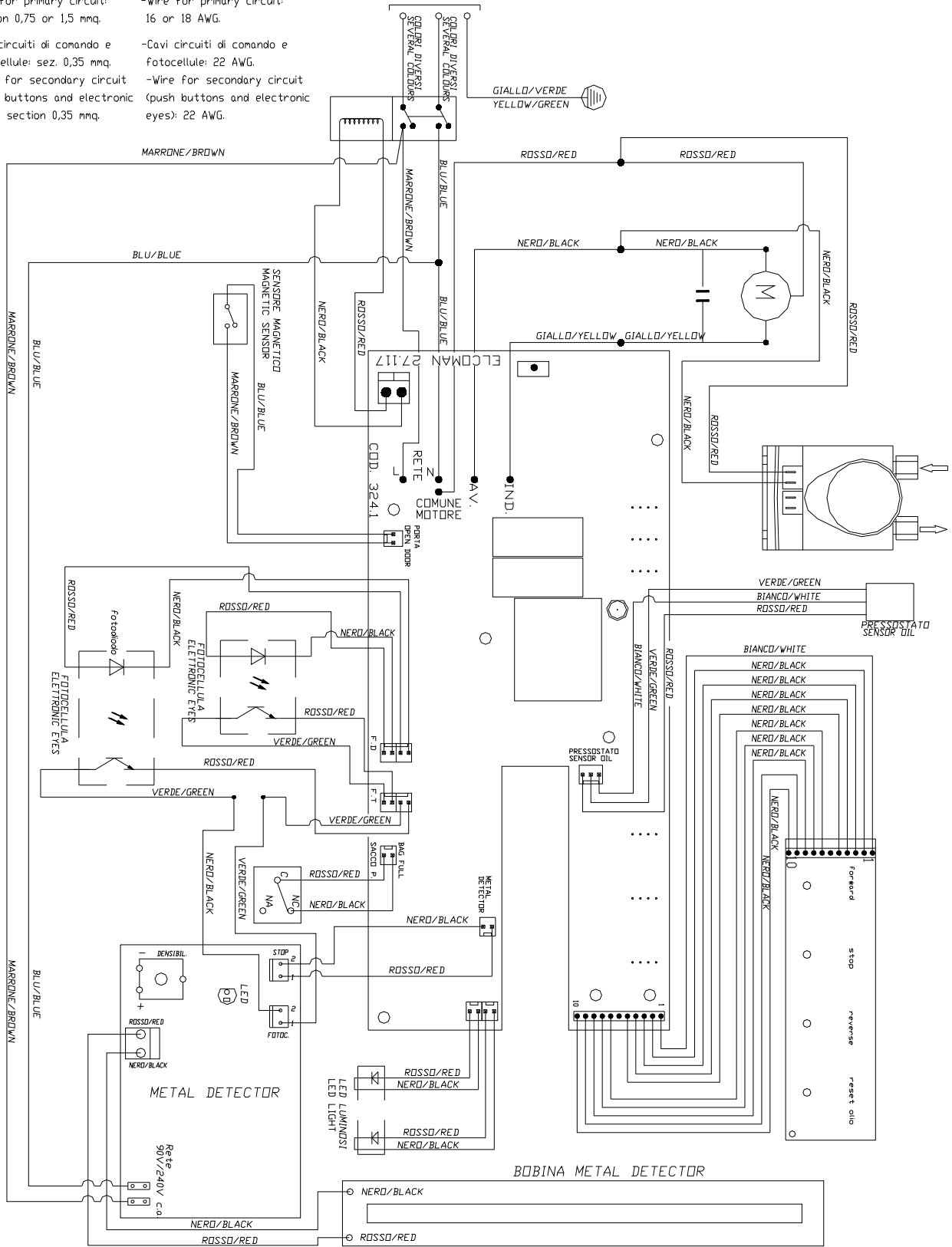
230V-50Hz

115V-60Hz

- Cavi circuito di potenza: sez. 0,75 o 1,5 mmq.
- Wire for primary circuit: section 0,75 or 1,5 mmq.
- Cavi circuiti di comando e fotocellule: sez. 0,35 mmq.
- Wire for secondary circuit (push buttons and electronic eyes): section 0,35 mmq.

- Cavi circuito di potenza: 16 o 18 AWG.
- Wire for primary circuit: 16 or 18 AWG.
- Cavi circuiti di comando e fotocellule: 22 AWG.
- Wire for secondary circuit (push buttons and electronic eyes): 22 AWG.

LINEA DI ALIMENTAZIONE (100V-110V-115V-230V/50-60Hz)  
A.C. SUPPLY (115-110-100V/50-60Hz)

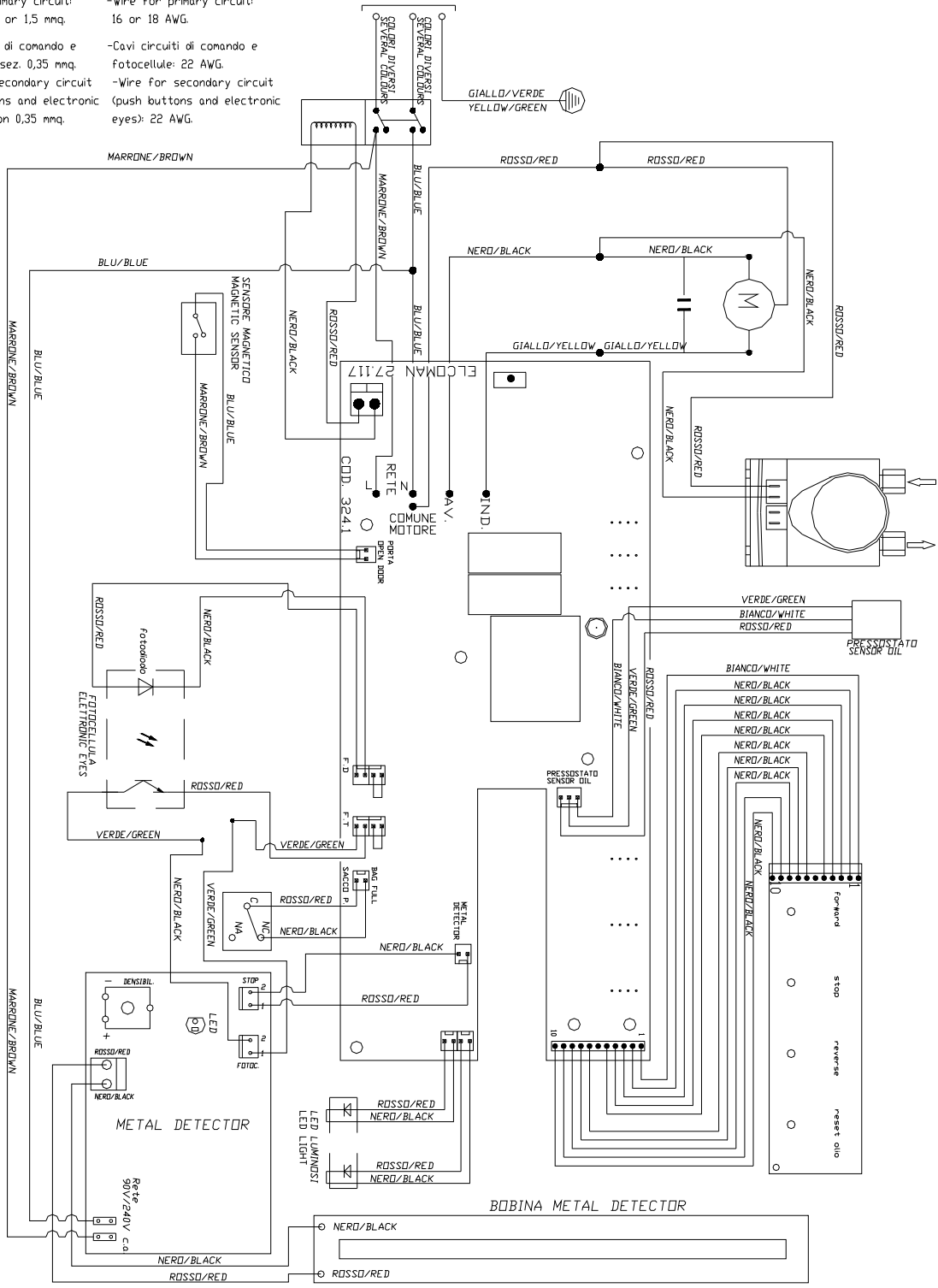


KOBRA 260TS C2-C4 AUTO OILER+ METALDETECTOR

DISEGNO / DRAWING 11

- 230V-50Hz**
- Cavi circuito di potenza: sez. 0,75 o 1,5 mmq.
  - Wire for primary circuit: section 0,75 or 1,5 mmq.
  - Cavi circuiti di comando e fotocellule: sez. 0,35 mmq.
  - Wire for secondary circuit (push buttons and electronic eyes): section 0,35 mmq.
- 115V-60Hz**
- Cavi circuito di potenza: 16 o 18 AWG.
  - Wire for primary circuit: 16 or 18 AWG.
  - Cavi circuiti di comando e fotocellule: 22 AWG.
  - Wire for secondary circuit (push buttons and electronic eyes): 22 AWG.

LINEA DI ALIMENTAZIONE (100V-110V-115V-230V/50-60Hz)  
A.C. SUPPLY (115-110-100V/50-60Hz)



KOBRA 260TS HS-HS/6 AUTO OILER+ METALDETECTOR

DISEGNO / DRAWING 12