



Distruggidocumenti

Paper Shredders

KOBRA 310TS SS4 E/S Cod.99.860ES
KOBRA 310TS SS5 E/S Cod.99.865ES
KOBRA 310TS CC2 E/S Cod.99.870ES
KOBRA 310TS CC4 E/S Cod.99.875ES
KOBRA 310TS HS E/S Cod.99.880ES
KOBRA 310TS HS-6 E/S Cod.99.885ES

SPARE PART LIST**MODEL:** KOBRA 310TS **ARTICLE NUMBER:** COMMON PARTS 58.432 E/S
SS4 E/S**REF. DRAW:** 01-02-03-06-07-08

POS. ITEM	CODICE PART NUMBER	DESCRIZIONE	DESIGNATION	QUANTITA' QUANTITY
001	01.834	MOBILE	CABINET	1
002	51.050	GUIDA	GUIDE	2
003	01.061	TELAIO PORTASACCO	BAG FRAME	1
004	28.032	PORTASACCO	BAG HOLDER	1
005	51.300	SACCHETTO CD/DVD	CD/DVD BAG	1
006	51.056	PIASTRINA	HINGE PLATE	2
007	51.057	CERNIERA	HINGE	2
008	53.994	VITE 3,5x16	SCREW 3,5x16	4
010	51.238	CRICCHETTO	LOCK	1
011	53.305	VITE 2,5x12	SCREW 2,5x12	2
012	51.237	MANIGLIA	HANDLE	1
013	51.038	MAGNETE	MAGNET	1
014	53.993	VITE 3,9x9,5	SCREW 3,9x9,5	1
015	53.396	VITE M4x25	SCREW M4x25	2
016	51.062	SACCHETTO	BAG	1
017	32.013	RUOTE	CASTER	4
018	53.359	VITE 4x16	SCREW 4x16	24
019	02.160	COPERCHIO	PLASTIC COVER	1
020	02.170	PANNELLO	PANEL	1
022	23.036	INTERRUTTORE	ON / OFF SWITCH	1
023	02.055	DIFFUSORE LUMINOSO	LIGHT OPTICAL INDICATOR	1
024	37.309	ETICHETTA ENERGY SMART	ENERGY SMART LABEL	1
025	27.008	PORTADIODI	SENSOR HOLDER	3
026	27.071	DIODO EMETTITORE	EMITTER DIODE	2
027	27.072	DIODO RICEVITORE	RECEIVER DIODE	2
028	24.235	LED BLU	LED LIGHT	2
029	51.037	MOLLETTA	SPRING	6
030	25.015	MICROINTERRUTTORE	MICROSWITCH	1
031	24.233	CABLAGGIO SACCO PIENO	BAG FULL HARDNESS	1
032	24.211	SENSORE MAGNETICO	MAGNETIC SENSOR	1
033	53.603	PRESSACAVO	BUSHING	1
034	53.349	VITE 4x16	SCREW 4x16	8
035	24.268	CABLAGGIO SCHEDA PULSANTIERA	PC BOARD HARDNESS	1
037	27.118	PULSANTIERA	SWITCH PANEL	1
038	53.348	VITE 2,5x6	SCREW 2,5x6	7
047	01.700	VASCHETTA	BOTTOM COVER	1
051	04.297	RULLO	KNIFE	2
053	08.058	DISTANZIALE	ROD	2
054	16.118	PARATIA	PLATE	1
055	08.060	PERNO PARATIA	FLAP HOLDER	1
056	16.220	PARATIA SACCO PIENO	BAG FULL FLAP	1
057	08.070	PARATIA	PLATE	1
058	14.202	PIASTRA DX	RIGHT PLATE	1
059	14.203	PIASTRA SX	LEFT PLATE	1
060	18.010	PORTACUSCINETTO	BEARING HOLDER	2

SPARE PART LIST**MODEL:** KOBRA 310TS **ARTICLE NUMBER:** COMMON PARTS 58.432 E/S
SS4 E/S**REF. DRAW:** : 01-02-03-06-07-08

POS. ITEM	CODICE PART NUMBER	DESCRIZIONE	DESIGNATION	QUANTITA' QUANTITY
061	19.014	CUSCINETTO	BEARING	4
063	10.029	INGRANAGGIO	GEAR	1
064	53.415	LINGUETTA 5x5x16	KEY 5x5x16	4
065	14.023	DISTANZIALE	ROD	16
066	11.012	CORONA Z22	CHAIN WELL	2
067	12.009	PIGNONE z9	CHAIN WELL	2
069	13.031	CATENA 37 PASSI	CHAIN	1
071	10.083	INGRANAGGIO	GEAR	2
072	04.273	RULLO	KNIFE	1
073	19.027	BOCCOLA	BUSHING	4
074	14.056	PIASTRA	PLATE	1
075	53.602	ANTIVIBRANTE	SHOCK ABSORBER	2
076	02.145	PETTINE	STRIPPER	1
077	02.144	PETTINE	STRIPPER	1
078	04.274	RULLO	KNIFE	1
079	53.201	SEEGER DIA 12	SEEGER DIA 12	3
080	53.202	SEEGER DIA 15	SEEGER DIA 15	4
081	53.200	SEEGER DIA 10	SEEGER DIA 10	2
082	53.335	VITE M5x20	SCREW M5x20	9
083	53.143	RONDELLA DENTELLATA M5	TOOTHED WASHER M5	13
084	53.204	SEEGER DIA 5	SEEGER DIA 5	2
085	53.142	RONDELLA DENTELLATA M4	TOOTHED WASHER M4	18
086	53.702	DADO M4	EXAGON NUTM4	8
087	53.331	VITE M4x10	SCREW M4x10	12
088	53.182	RONDELLA M4	WASHER M4	6
089	53.144	RONDELLA DENTELLATA M6	TOOTHED WASHER M6	4
090	53.704	DADO M4	EXAGON NUTM6	4
091	06.052	PETTINE	STRIPPER	1
092	06.052	PETTINE	STRIPPER	1
101	13.005	CATENA 47 PASSI	CHAIN	1
125	25.045	TASTO INTERRUETTORE	SWITCH COVER	1
130	29.065	SCATOLA CARTONE	CARTON BOX	1
131	30.030	FONDO POLISTIROLO	STYROFOAM BOTTOM	1
132	30.031	ANGOLARE	CORNER	4
133	29.068	CARTONE	CARTON	1
134	30.032	COPERCHIO POLISTIROLO	STYROFOAM COVER	1
135	29.066	SCATOLA CARTONE	CARTON BOX	1
136	30.026	SET POLISTIROLO	STYROFOAM SET	1
139	60.063	ISTRUZIONI	OPERATING INSTRUCTION	1
140	60.004	DICHIARAZIONE CE		1
141	60.001	GARANZIA	WARRANTY CARD	1
142	51.062	SACCHETTO	BAG	1

SPARE PART LIST**MODEL:** KOBRA 310TS **ARTICLE NUMBER:** 58.462E/S 230V-50Hz SUPPLY(EUROPA)
SS4 E/S**REF. DRAW:** 02-03

POS. ITEM	CODICE PART NUMBER	DESCRIZIONE	DESIGNATION	QUANTITA' QUANTITY
036	27.117/230	SCHEDA ELETTRONICA	PC BOARD	1
049	24.001	CAVO	POWER CORD	1
050	22.003	CONDENSATORE 8mF	CAPACITOR 8Mf	2
052	07.090	MOTORIDUTTORE	GEAR MOTOR	2

SPARE PART LIST**MODEL:** KOBRA 310TS **ARTICLE NUMBER:** 58.512E/S 115V-60Hz SUPPLY(USA/CANADA)
SS4 E/S**REF. DRAW:** 02-03

POS. ITEM	CODICE PART NUMBER	DESCRIZIONE	DESIGNATION	QUANTITA' QUANTITY
036	27.117/115	SCHEDA ELETTRONICA	PC BOARD	1
049	24.006	CAVO	POWER CORD	1
050	22.005	CONDENSATORE 30mF	CAPACITOR 30mF	2
052	07.091	MOTORIDUTTORE	GEAR MOTOR	2

SPARE PART LIST**MODEL:** KOBRA 310TS **ARTICLE NUMBER:** 58.562E/S 110V-60Hz SUPPLY(TAIWAN/BRASIL)
SS4 E/S**REF. DRAW:** 02-03

POS. ITEM	CODICE PART NUMBER	DESCRIZIONE	DESIGNATION	QUANTITA' QUANTITY
036	27.117/115	SCHEDA ELETTRONICA	PC BOARD	1
049	24.006	CAVO	POWER CORD	1
050	22.005	CONDENSATORE 30mF	CAPACITOR 30mF	2
052	07.091	MOTORIDUTTORE	GEAR MOTOR	2

SPARE PART LIST**MODEL:** KOBRA 310TS **ARTICLE NUMBER:** 58.612E/S 100V-50/60Hz SUPPLY(JAPAN)
SS4 E/S**REF. DRAW:** 02-03

POS. ITEM	CODICE PART NUMBER	DESCRIZIONE	DESIGNATION	QUANTITA' QUANTITY
036	27.117/115	SCHEDA ELETTRONICA	PC BOARD	1
049	24.010	CAVO	POWER CORD	1
050	22.002	CONDENSATORE 35mF	CAPACITOR 35Mf	2
052	07.091	MOTORIDUTTORE	GEAR MOTOR	2

SPARE PART LIST**MODEL:** KOBRA 310TS **ARTICLE NUMBER:** 58.662E/S 230V-50Hz SUPPLY(ISRAEL)
SS4 E/S**REF. DRAW:** 02-03

POS. ITEM	CODICE PART NUMBER	DESCRIZIONE	DESIGNATION	QUANTITA' QUANTITY
036	27.117/230	SCHEDA ELETTRONICA	PC BOARD	1
049	24.052	CAVO	POWER CORD	1
050	22.003	CONDENSATORE 8mF	CAPACITOR 8Mf	2
052	07.090	MOTORIDUTTORE	GEAR MOTOR	2

SPARE PART LIST**MODEL:** KOBRA 310TS **ARTICLE NUMBER:** 58.712E/S 230V-50Hz SUPPLY(HK/BAHRAIN)
SS4 E/S**REF. DRAW:** 02-03

POS. ITEM	CODICE PART NUMBER	DESCRIZIONE	DESIGNATION	QUANTITA' QUANTITY
036	27.117/230	SCHEDA ELETTRONICA	PC BOARD	1
049	24.055	CAVO	POWER CORD	1
050	22.003	CONDENSATORE 8mF	CAPACITOR 8Mf	2
052	07.090	MOTORIDUTTORE	GEAR MOTOR	2

SPARE PART LIST**MODEL:** KOBRA 310TS **ARTICLE NUMBER:** 58.762E/S 240V-50Hz SUPPLY(UK/MALESIA)
SS4 E/S**REF. DRAW:** 02-03

POS. ITEM	CODICE PART NUMBER	DESCRIZIONE	DESIGNATION	QUANTITA' QUANTITY
036	27.117/230	SCHEDA ELETTRONICA/230V	PC BOARD	1
049	24.055	CAVO	POWER CORD	1
050	22.007	CONDENSATORE 4mF	CAPACITOR 4Mf	2
052	07.090	MOTORIDUTTORE	GEAR MOTOR	2

SPARE PART LIST**MODEL:** KOBRA 310TS **ARTICLE NUMBER:** 58.812E/S 240V-50Hz SUPPLY(AUSTRALIA)
SS4 E/S**REF. DRAW:** 02-03

POS. ITEM	CODICE PART NUMBER	DESCRIZIONE	DESIGNATION	QUANTITA' QUANTITY
036	27.117/230	SCHEDA ELETTRONICA	PC BOARD	1
049	24.009	CAVO	POWER CORD	1
050	22.007	CONDENSATORE 4mF	CAPACITOR 4Mf	2
052	07.090	MOTORIDUTTORE	GEAR MOTOR	2

SPARE PART LIST**MODEL:** KOBRA 310TS **ARTICLE NUMBER:** 58.862E/S 240V-50Hz SUPPLY(INDIA)
SS4 E/S**REF. DRAW:** 02-03

POS. ITEM	CODICE PART NUMBER	DESCRIZIONE	DESIGNATION	QUANTITA' QUANTITY
036	27.117/230	SCHEDA ELETTRONICA	PC BOARD	1
049	24.001	CAVO	POWER CORD	1
050	22.007	CONDENSATORE 4mF	CAPACITOR 4Mf	2
052	07.090	MOTORIDUTTORE	GEAR MOTOR	2

SPARE PART LIST**MODEL:** KOBRA 310TS **ARTICLE NUMBER:** 58.912E/S 220V-50Hz SUPPLY(BZ/ARABIA/PH)
SS4 E/S**REF. DRAW:** 02-03

POS. ITEM	CODICE PART NUMBER	DESCRIZIONE	DESIGNATION	QUANTITA' QUANTITY
036	27.117/230	SCHEDA ELETTRONICA	PC BOARD	1
049	24.006	CAVO	POWER CORD	1
050	22.003	CONDENSATORE 8mF	CAPACITOR 8Mf	2
052	07.090	MOTORIDUTTORE	GEAR MOTOR	2

SPARE PART LIST**MODEL:** KOBRA 310TS **ARTICLE NUMBER:** COMMON PARTS 58.433E/S
SS5 E/S**REF. DRAW:** 01-02-03/A-06-07-08

POS. ITEM	CODICE PART NUMBER	DESCRIZIONE	DESIGNATION	QUANTITA' QUANTITY
001	01.834	MOBILE	CABINET	1
002	51.050	GUIDA	GUIDE	2
003	01.061	TELAIO PORTASACCO	BAG FRAME	1
004	28.032	PORTASACCO	BAG HOLDER	1
005	51.300	SACCHETTO CD/DVD	CD/DVD BAG	1
006	51.056	PIASTRINA	HINGE PLATE	2
007	51.057	CERNIERA	HINGE	2
008	53.994	VITE 3,5x16	SCREW 3,5x16	4
010	51.238	CRICCHETTO	LOCK	1
011	53.305	VITE 2,5x12	SCREW 2,5x12	2
012	51.237	MANIGLIA	HANDLE	1
013	51.038	MAGNETE	MAGNET	1
014	53.993	VITE 3,9x9,5	SCREW 3,9x9,5	1
015	53.396	VITE M4x25	SCREW M4x25	2
016	51.062	SACCHETTO	BAG	1
017	32.013	RUOTE	CASTER	4
018	53.359	VITE 4x16	SCREW 4x16	24
019	02.160	COPERCHIO	PLASTIC COVER	1
020	02.170	PANNELLO	PANEL	1
022	23.036	INTERRUTTORE	ON / OFF SWITCH	1
023	02.055	DIFFUSORE LUMINOSO	LIGHT OPTICAL INDICATOR	1
024	37.309	ETICHETTA ENERGY SMART	ENERGY SMART LABEL	1
025	27.008	PORTADIODI	SENSOR HOLDER	3
026	27.071	DIODO EMETTITORE	EMITTER DIODE	2
027	27.072	DIODO RICEVITORE	RECEIVER DIODE	2
028	24.235	LED BLU	LED LIGHT	2
029	51.037	MOLLETTA	SPRING	6
030	25.015	MICROINTERRUTTORE	MICROSWITCH	1
031	24.233	CABLAGGIO SACCO PIENO	BAG FULL HARDNESS	1
032	24.211	SENSORE MAGNETICO	MAGNETIC SENSOR	1
033	53.603	PRESSACAVO	BUSHING	1
034	53.349	VITE 4x16	SCREW 4x16	8
035	24.268	CABLAGGIO SCHEDA PULSANTIERA	PC BOARD HARDNESS	1
037	27.118	PULSANTIERA	SWITCH PANEL	1
038	53.348	VITE 2,5x6	SCREW 2,5x6	7
047	01.700	VASCHETTA	BOTTOM COVER	1
051	04.299	RULLO	KNIFE	2
053	08.058	DISTANZIALE	ROD	2
054	16.118	PARATIA	PLATE	1
055	08.060	PERNO PARATIA	FLAP HOLDER	1
056	16.220	PARATIA SACCO PIENO	BAG FULL FLAP	1
057	08.070	PARATIA	PLATE	1
058	14.202	PIASTRA DX	RIGHT PLATE	1
059	14.203	PIASTRA SX	LEFT PLATE	1
060	18.010	PORTACUSCINETTO	BEARING HOLDER	2

SPARE PART LIST**MODEL:** KOBRA 310TS **ARTICLE NUMBER:** COMMON PARTS 58.433 E/S
SS5 E/S**REF. DRAW:** : 01-02-03/A-06-07-08

POS. ITEM	CODICE PART NUMBER	DESCRIZIONE	DESIGNATION	QUANTITA' QUANTITY
061	19.014	CUSCINETTO	BEARING	4
063	10.029	INGRANAGGIO	GEAR	1
064	53.415	LINGUETTA 5x5x16	KEY 5x5x16	4
065	14.023	DISTANZIALE	ROD	12
066	11.012	CORONA Z22	CHAIN WELL	2
067	12.009	PIGNONE z9	CHAIN WELL	2
069	13.031	CATENA 37 PASSI	CHAIN	1
071	10.083	INGRANAGGIO	GEAR	2
072	04.273	RULLO	KNIFE	1
073	19.027	BOCCOLA	BUSHING	4
074	14.056	PIASTRA	PLATE	1
075	53.602	ANTIVIBRANTE	SHOCK ABSORBER	2
076	02.145	PETTINE	STRIPPER	1
077	02.144	PETTINE	STRIPPER	1
078	04.274	RULLO	KNIFE	1
079	53.201	SEEGER DIA 12	SEEGER DIA 12	3
080	53.202	SEEGER DIA 15	SEEGER DIA 15	4
081	53.200	SEEGER DIA 10	SEEGER DIA 10	2
082	53.335	VITE M5x20	SCREW M5x20	9
083	53.143	RONDELLA DENTELLATA M5	TOOTHED WASHER M5	13
084	53.204	SEEGER DIA 5	SEEGER DIA 5	2
085	53.142	RONDELLA DENTELLATA M4	TOOTHED WASHER M4	18
086	53.702	DADO M4	EXAGON NUTM4	8
087	53.331	VITE M4x10	SCREW M4x10	12
088	53.182	RONDELLA M4	WASHER M4	6
089	53.144	RONDELLA DENTELLATA M6	TOOTHED WASHER M6	4
090	53.704	DADO M4	EXAGON NUTM6	4
091	06.044	PETTINE	STRIPPER	1
092	06.045	PETTINE	STRIPPER	1
101	13.005	CATENA 47 PASSI	CHAIN	1
125	25.045	TASTO INTERRUTTORE	SWITCH COVER	1
130	29.065	SCATOLA CARTONE	CARTON BOX	1
131	30.030	FONDO POLISTIROLO	STYROFOAM BOTTOM	1
132	30.031	ANGOLARE	CORNER	4
133	29.068	CARTONE	CARTON	1
134	30.032	COPERCHIO POLISTIROLO	STYROFOAM COVER	1
135	29.066	SCATOLA CARTONE	CARTON BOX	1
136	30.026	SET POLISTIROLO	STYROFOAM SET	1
139	60.063	ISTRUZIONI	OPERATING INSTRUCTION	1
140	60.004	DICHIARAZIONE CE		1
141	60.001	GARANZIA	WARRANTY CARD	1
142	51.062	SACCHETTO	BAG	1

SPARE PART LIST**MODEL:** KOBRA 310TS **ARTICLE NUMBER:** 58.463 E/S 230V-50Hz SUPPLY(EUROPA)
SS5 E/S**REF. DRAW:** 02-03/A

POS. ITEM	CODICE PART NUMBER	DESCRIZIONE	DESIGNATION	QUANTITA' QUANTITY
036	27.117/230	SCHEDA ELETTRONICA	PC BOARD	1
049	24.001	CAVO	POWER CORD	1
050	22.003	CONDENSATORE 8mF	CAPACITOR 8Mf	2
052	07.090	MOTORIDUTTORE	GEAR MOTOR	2

SPARE PART LIST**MODEL:** KOBRA 310TS **ARTICLE NUMBER:** 58.513 E/S 115V-60Hz SUPPLY(USA/CANADA)
SS5 E/S**REF. DRAW:** 02-03/A

POS. ITEM	CODICE PART NUMBER	DESCRIZIONE	DESIGNATION	QUANTITA' QUANTITY
036	27.117/115	SCHEDA ELETTRONICA	PC BOARD	1
049	24.006	CAVO	POWER CORD	1
050	22.005	CONDENSATORE 30mF	CAPACITOR 30mF	2
052	07.091	MOTORIDUTTORE	GEAR MOTOR	2

SPARE PART LIST**MODEL:** KOBRA 310TS **ARTICLE NUMBER:** 58.563 E/S 110V-60Hz SUPPLY(TAIWAN/BRASIL)
SS5 E/S**REF. DRAW:** 02-03/A

POS. ITEM	CODICE PART NUMBER	DESCRIZIONE	DESIGNATION	QUANTITA' QUANTITY
036	27.117/115	SCHEDA ELETTRONICA	PC BOARD	1
049	24.006	CAVO	POWER CORD	1
050	22.005	CONDENSATORE 30mF	CAPACITOR 30mF	2
052	07.091	MOTORIDUTTORE	GEAR MOTOR	2

SPARE PART LIST**MODEL:** KOBRA 310TS **ARTICLE NUMBER:** 58.613 E/S 100V-50/60Hz SUPPLY(JAPAN)
SS5 E/S**REF. DRAW:** 02-03/A

POS. ITEM	CODICE PART NUMBER	DESCRIZIONE	DESIGNATION	QUANTITA' QUANTITY
036	27.117/115	SCHEDA ELETTRONICA	PC BOARD	1
049	24.010	CAVO	POWER CORD	1
050	22.002	CONDENSATORE 35mF	CAPACITOR 35Mf	2
052	07.091	MOTORIDUTTORE	GEAR MOTOR	2

SPARE PART LIST**MODEL:** KOBRA 310TS **ARTICLE NUMBER:** 58.663 E/S 230V-50Hz SUPPLY(ISRAEL)
SS5 E/S**REF. DRAW:** 02-03/A

POS. ITEM	CODICE PART NUMBER	DESCRIZIONE	DESIGNATION	QUANTITA' QUANTITY
036	27.117/230	SCHEDA ELETTRONICA	PC BOARD	1
049	24.052	CAVO	POWER CORD	1
050	22.003	CONDENSATORE 8mF	CAPACITOR 8Mf	2
052	07.090	MOTORIDUTTORE	GEAR MOTOR	2

SPARE PART LIST**MODEL:** KOBRA 310TS **ARTICLE NUMBER:** 58.713 E/S 230V-50Hz SUPPLY(HK/BAHRAIN)
SS5 E/S**REF. DRAW:** 02-03/A

POS. ITEM	CODICE PART NUMBER	DESCRIZIONE	DESIGNATION	QUANTITA' QUANTITY
036	27.117/230	SCHEDA ELETTRONICA	PC BOARD	1
049	24.055	CAVO	POWER CORD	1
050	22.003	CONDENSATORE 8mF	CAPACITOR 8Mf	2
052	07.090	MOTORIDUTTORE	GEAR MOTOR	2

SPARE PART LIST**MODEL:** KOBRA 310TS **ARTICLE NUMBER:** 58.763 E/S 240V-50Hz SUPPLY(UK/MALESIA)
SS5 E/S**REF. DRAW:** 02-03/A

POS. ITEM	CODICE PART NUMBER	DESCRIZIONE	DESIGNATION	QUANTITA' QUANTITY
036	27.117/230	SCHEDA ELETTRONICA/230V	PC BOARD	1
049	24.055	CAVO	POWER CORD	1
050	22.007	CONDENSATORE 4mF	CAPACITOR 4Mf	2
052	07.090	MOTORIDUTTORE	GEAR MOTOR	2

SPARE PART LIST**MODEL:** KOBRA 310TS **ARTICLE NUMBER:** 58.813 E/S 240V-50Hz SUPPLY(AUSTRALIA)
SS5 E/S**REF. DRAW:** 02-03/A

POS. ITEM	CODICE PART NUMBER	DESCRIZIONE	DESIGNATION	QUANTITA' QUANTITY
036	27.117/230	SCHEDA ELETTRONICA	PC BOARD	1
049	24.009	CAVO	POWER CORD	1
050	22.007	CONDENSATORE 4mF	CAPACITOR 4Mf	2
052	07.090	MOTORIDUTTORE	GEAR MOTOR	2

SPARE PART LIST**MODEL:** KOBRA 310TS **ARTICLE NUMBER:** 58.863 E/S 240V-50Hz SUPPLY(INDIA)
SS5 E/S**REF. DRAW:** 02-03/A

POS. ITEM	CODICE PART NUMBER	DESCRIZIONE	DESIGNATION	QUANTITA' QUANTITY
036	27.117/230	SCHEDA ELETTRONICA	PC BOARD	1
049	24.001	CAVO	POWER CORD	1
050	22.007	CONDENSATORE 4mF	CAPACITOR 4Mf	2
052	07.090	MOTORIDUTTORE	GEAR MOTOR	2

SPARE PART LIST**MODEL:** KOBRA 310TS **ARTICLE NUMBER:** 58.913 E/S 220V-50Hz SUPPLY(BZ/ARABIA/PH)
SS5 E/S**REF. DRAW:** 02-03/A

POS. ITEM	CODICE PART NUMBER	DESCRIZIONE	DESIGNATION	QUANTITA' QUANTITY
036	27.117/230	SCHEDA ELETTRONICA	PC BOARD	1
049	24.006	CAVO	POWER CORD	1
050	22.003	CONDENSATORE 8mF	CAPACITOR 8Mf	2
052	07.090	MOTORIDUTTORE	GEAR MOTOR	2

SPARE PART LIST

MODEL: KOBRA 310TS **ARTICLE NUMBER:** COMMON PARTS 58.434 E/S
CC2 E/S

REF. DRAW: 01-02-04-06-07-08-10-13

POS. ITEM	CODICE PART NUMBER	DESCRIZIONE	DESIGNATION	QUANTITA' QUANTITY
001	01.834	MOBILE	CABINET	1
002	51.050	GUIDA	GUIDE	2
003	01.061	TELAIO PORTASACCO	BAG FRAME	1
004	28.032	PORTASACCO	BAG HOLDER	1
005	51.300	SACCHETTO CD/DVD	CD/DVD BAG	1
006	51.056	PIASTRINA	HINGE PLATE	2
007	51.057	CERNIERA	HINGE	2
008	53.994	VITE 3,5x16	SCREW 3,5x16	4
010	51.238	CRICCHETTO	LOCK	1
011	53.305	VITE 2,5x12	SCREW 2,5x12	2
012	51.237	MANIGLIA	HANDLE	1
013	51.038	MAGNETE	MAGNET	1
014	53.993	VITE 3,9x9,5	SCREW 3,9x9,5	1
015	53.396	VITE M4x25	SCREW M4x25	2
016	51.062	SACCHETTO	BAG	1
017	32.013	RUOTE	CASTER	4
018	53.359	VITE 4x16	SCREW 4x16	24
019	02.160	COPERCHIO	PLASTIC COVER	1
020	02.170	PANNELLO	PANEL	1
021	16.230	SUPPORTO SCHEDA METAL	PC BOARD HOLDER	1
022	23.036	INTERRUTTORE	ON / OFF SWITCH	1
023	02.055	DIFFUSORE LUMINOSO	LIGHT OPTICAL INDICATOR	1
024	37.309	ETICHETTA ENERGY SMART	ENERGY SMART LABEL	1
025	27.008	PORTADIODI	SENSOR HOLDER	3
026	27.071	DIODO EMETTITORE	EMITTER DIODE	2
027	27.072	DIODO RICEVITORE	RECEIVER DIODE	2
028	24.235	LED BLU	LED LIGHT	2
029	51.037	MOLLETTA	SPRING	6
030	25.015	MICROINTERRUTTORE	MICROSWITCH	1
031	24.233	CABLAGGIO SACCO PIENO	BAG FULL HARDNESS	1
032	24.211	SENSORE MAGNETICO	MAGNETIC SENSOR	1
033	53.603	PRESSACAVO	BUSHING	1
034	53.349	VITE 4x16	SCREW 4x16	8
035	24.268	CABLAGGIO SCHEDA PULSANTIERA	PC BOARD HARDNESS	1
037	27.118	PULSANTIERA	SWITCH PANEL	1
038	53.348	VITE 2,5x6	SCREW 2,5x6	7
041	53.328	VITE 4x10	SCREW 4x10	2
042	27.115	METALDETECTOR	METALDETECTOR	1
043	16.211/V	CONTENITORE OLIO	OIL BOTTLE HOLDER	1
044	53.306	VITE 2,9x13	SCREW 2,9x13	3
045	51.085	OLIO 1000cc	SHREDDER OIL	1
046	51.084	TAPPO	CAP	1
047	01.700	VASCHETTA	BOTTON COVER	1
048	53.360	VITE M3x13	SCREW M3x13	4
051	04.301	COLTELLO	KNIFE	1
052	04.303	COLTELLO	KNIFE	1
053	06.043	PETTINE	STRIPPER	150
054	16.121	PARATIA	PLATE	1
055	08.060	PERNO PARATIA	FLAP HOLDER	1
056	16.220	PARATIA SACCO PIENO	BAG FULL FLAP	1
057	08.070	PARATIA	PLATE	1
058	14.200	PIASTRA DX	RIGHT PLATE	1
059	14.201	PIASTRA SX	LEFT PLATE	1

SPARE PART LIST**MODEL:** KOBRA 310TS **ARTICLE NUMBER:** COMMON PARTS 58.434 E/S
CC2 E/S**REF. DRAW:** 01-02-04-06-07-08-10-13

POS. ITEM	CODICE PART NUMBER	DESCRIZIONE	DESIGNATION	QUANTITA' QUANTITY
060	18.019	PORTACUSCINETTO	BEARING HOLDER	2
061	19.014	CUSCINETTO 6002.2ZR	BEARING 6002.2ZR	4
062	10.026	INGRANAGGIO	GEAR	2
063	10.029	INGRANAGGIO	GEAR	1
064	53.415	LINGUETTA 5x5x16	KEY 5x5x16	5
065	14.023	DISTANZIALE	ROD	12
066	11.012	CORONA Z22	CHAIN WELL	2
067	12.009	PIGNONE z9	CHAIN WELL	2
068	08.065	DISTANZIALE	ROD	2
069	08.066	DISTANZIALE	ROD	2
070	16.228	PARATIA	PLATE	2
071	53.200	SEEGER DIA 10	LOCKING RING	2
072	53.202	SEEGER DIA 15	LOCKING RING	11
073	53.203	SEEGER DIA 22	LOCKING RING	4
075	04.273	RULLO	KNIFE	1
076	04.274	RULLO	KNIFE	1
077	19.027	BOCCOLA	BUSHING	4
078	14.056	PIASTRA	PLATE	1
079	53.602	ANTIVIBRANTE	SHOCK ABSORBER	2
080	53.201	SEEGER DIA 12	LOCKING RING	4
081	02.145	PETTINE	STRIPPER	1
082	02.144	PETTINE	STRIPPER	1
083	10.083	INGRANAGGIO	GEAR	2
084	10.079	INGRANAGGIO	GEAR	1
085	10.084	INGRANAGGIO	GEAR	1
086	17.211	ALBERO	SHAFT	1
088	53.331	VITE M4x10	SCREW M4x10	18
089	53.142	RONDELLA DENTELLATA M4	TOOTHED WASHER M4	18
092	53.901	VITE M8x20	SCREW M8x20	1
093	53.146	RONDELLA DENTELLATA M8	TOOTHED WASHER M8	1
094	53.185	RONDELLA M8	WASHER M8	1
095	53.345	VITE M5x25	SCREW M5x25	5
096	53.143	RONDELLA DENTELLATA M5	TOOTHED WASHER M5	21
099	53.332	VITE M5x12	SCREW M5x12	12
102	53.702	DADO M4	EXAGON NUT M4	14
103	13.031	CATENA 37 PASSI	CHAIN	1
104	53.204	SEEGER DIA 5	LOCKING RING	2
105	16.064	OIL WICK	OIL WICK	1
106	51.560	TUBO	TUBE	MT.0,30
107	51.610	RACCORDO	JUNCTION	1
108	24.204	SENSORE OTTICO OLIO	OIL OPTICAL SENSOR	1
110	01.985	SUPPORTO POMPA	PUMP HOLDER	1
114	53.703	DADO M5	EXAGON NUT M5	2
123	13.009	CATENA 44 PASSI	CHAIN	1
125	25.045	TASTO INTERRUTTORE	SWITCH COVER	1
130	29.065	SCATOLA CARTONE	CARTON BOX	1
131	30.030	FONDO POLISTIROLO	STYROFOAM BOTTOM	1
132	30.031	ANGOLARE	CORNER	4
133	29.068	CARTONE	CARTON	1

SPARE PART LIST

MODEL: KOBRA 310TS **ARTICLE NUMBER:** COMMON PARTS 58.434 E/S
CC2 E/S

REF. DRAW: 01-02-04-06-07-08-10-13

POS. ITEM	CODICE PART NUMBER	DESCRIZIONE	DESIGNATION	QUANTITA' QUANTITY
134	30.032	COPERCHIO POLISTIROLO	STYROFOAM COVER	1
135	29.066	SCATOLA CARTONE	CARTON BOX	1
136	30.026	SET POLISTIROLO	STYROFOAM SET	1
138	51.090	OLIO 125cc	SHREDDER OIL	1
139	60.063	ISTRUZIONI	OPERATING INSTRUCTION	1
140	60.004	DICHIARAZIONE CE		1
141	60.001	GARANZIA	WARRANTY CARD	1
142	51.062	SACCHETTO	BAG	1
143	08.067	DISTANZIALE	ROD	2

SPARE PART LIST

MODEL: KOBRA 310TS **ARTICLE NUMBER:** 58.464E/S 230V-50Hz **SUPPLY (EUROPE)**
CC2 E/S

REF. DRAW: 02-04

POS. ITEM	CODICE PART NUMBER	DESCRIZIONE	DESIGNATION	QUANTITA' QUANTITY
036	27.117/230	SCHEDA ELETTRONICA	PC BOARD	1
039	27.112/230	SCHEDA METALDETECTOR	PC BOARD METAL	1
049	24.001	CAVO	POWER CORD	1
050	22.003	CONDENSATORE 8mF	CAPACITOR 8Mf	2
109	24.207	POMPA	PUMP	1
122	07.090	MOTORIDUTTORE	GEAR MOTOR	2

SPARE PART LIST

MODEL: KOBRA 310TS **ARTICLE NUMBER:** 58.514E/S 115V-60Hz **SUPPLY (USA / CANADA /)**
CC2 E/S

REF. DRAW: 02-04

POS. ITEM	CODICE PART NUMBER	DESCRIZIONE	DESIGNATION	QUANTITA' QUANTITY
036	27.117/115	SCHEDA ELETTRONICA	PC BOARD	1
039	27.112/115	SCHEDA METALDETECTOR	PC BOARD METAL	1
049	24.006	CAVO	POWER CORD	1
050	22.005	CONDENSATORE 30mF	CAPACITOR 30mF	2
109	24.208	POMPA	PUMP	1
122	07.091	MOTORIDUTTORE	GEAR MOTOR	2

SPARE PART LIST

MODEL: KOBRA 310TS **ARTICLE NUMBER:** 58.564E/S 110V-50/60Hz **SUPPLY (TAIWAN /
BRASIL)**
CC2 E/S

REF. DRAW: 02-04

POS. ITEM	CODICE PART NUMBER	DESCRIZIONE	DESIGNATION	QUANTITA' QUANTITY
036	27.117/115	SCHEDA ELETTRONICA	PC BOARD	1
039	27.112/115	SCHEDA METALDETECTOR	PC BOARD METAL	1
049	24.006	CAVO	POWER CORD	1
050	22.005	CONDENSATORE 30mF	CAPACITOR 30mF	2
109	24.208	POMPA	PUMP	1
122	07.091	MOTORIDUTTORE	GEAR MOTOR	2

SPARE PART LIST

MODEL: KOBRA 310TS **ARTICLE NUMBER:** 58.614E/S 100V-50/60Hz **SUPPLY (JAPAN)**
CC2 E/S

REF. DRAW: 02-04

POS. ITEM	CODICE PART NUMBER	DESCRIZIONE	DESIGNATION	QUANTITA' QUANTITY
036	27.117/115	SCHEDA ELETTRONICA	PC BOARD	1
039	27.112/115	SCHEDA METALDETECTOR	PC BOARD METAL	1
049	24.010	CAVO	POWER CORD	1
050	22.002	CONDENSATORE 35mF	CAPACITOR 35Mf	2
109	24.208	POMPA	PUMP	1
122	07.091	MOTORIDUTTORE	GEAR MOTOR	2

SPARE PART LIST

MODEL: KOBRA 310TS **ARTICLE NUMBER:** 58.664E/S 230V-50Hz SUPPLY (ISRAEL)
CC2 E/S

REF. DRAW: 02-04

POS. ITEM	CODICE PART NUMBER	DESCRIZIONE	DESIGNATION	QUANTITA' QUANTITY
036	27.117/230	SCHEDA ELETTRONICA	PC BOARD	1
039	27.112/230	SCHEDA METALDETECTOR	PC BOARD METAL	1
049	24.052	CAVO	POWER CORD	1
050	22.003	CONDENSATORE 8mF	CAPACITOR 8Mf	2
109	24.207	POMPA	PUMP	1
122	07.090	MOTORIDUTTORE	GEAR MOTOR	2

SPARE PART LIST

MODEL: KOBRA 310TS **ARTICLE NUMBER:** 58.714E/S 230V-50Hz SUPPLY(HK/BAHRAIN)
CC2 E/S

REF. DRAW: 02-04

POS. ITEM	CODICE PART NUMBER	DESCRIZIONE	DESIGNATION	QUANTITA' QUANTITY
036	27.117/230	SCHEDA ELETTRONICA	PC BOARD	1
039	27.112/230	SCHEDA METALDETECTOR	PC BOARD METAL	1
049	24.055	CAVO	POWER CORD	1
050	22.003	CONDENSATORE 8mF	CAPACITOR 8Mf	2
109	24.207	POMPA	PUMP	1
122	07.090	MOTORIDUTTORE	GEAR MOTOR	2

SPARE PART LIST

MODEL: KOBRA 310TS **ARTICLE NUMBER:** 58.764E/S 240V-50Hz SUPPLY (UK/MALESIA)
CC2 E/S

REF. DRAW: 02-04

POS. ITEM	CODICE PART NUMBER	DESCRIZIONE	DESIGNATION	QUANTITA' QUANTITY
036	27.117/230	SCHEDA ELETTRONICA/230V	PC BOARD	1
039	27.112/230	SCHEDA METALDETECTOR	PC BOARD METAL	1
049	24.055	CAVO	POWER CORD	1
050	22.007	CONDENSATORE 4mF	CAPACITOR 4Mf	2
109	24.207	POMPA	PUMP	1
122	07.090	MOTORIDUTTORE	GEAR MOTOR	2

SPARE PART LIST

MODEL: KOBRA 310TS **ARTICLE NUMBER:** 58.814E/S 240V-50Hz SUPPLY (AUSTRALIA)
CC2 E/S

REF. DRAW: 02-04

POS. ITEM	CODICE PART NUMBER	DESCRIZIONE	DESIGNATION	QUANTITA' QUANTITY
036	27.117/230	SCHEDA ELETTRONICA	PC BOARD	1
039	27.112/230	SCHEDA METALDETECTOR	PC BOARD METAL	1
049	24.009	CAVO	POWER CORD	1
050	22.007	CONDENSATORE 4mF	CAPACITOR 4Mf	2
109	24.207	POMPA	PUMP	1
122	07.090	MOTORIDUTTORE	GEAR MOTOR	2

SPARE PART LIST

MODEL: KOBRA 310TS **ARTICLE NUMBER:** 58.864E/S 240V-50Hz SUPPLY (INDIA)
CC2 E/S

REF. DRAW: 02-04

POS. ITEM	CODICE PART NUMBER	DESCRIZIONE	DESIGNATION	QUANTITA' QUANTITY
036	27.117/230	SCHEDA ELETTRONICA	PC BOARD	1
039	27.112/230	SCHEDA METALDETECTOR	PC BOARD METAL	1
049	24.001	CAVO	POWER CORD	1
050	22.007	CONDENSATORE 4mF	CAPACITOR 4Mf	2
109	24.207	POMPA	PUMP	1
122	07.090	MOTORIDUTTORE	GEAR MOTOR	2

SPARE PART LIST

MODEL: KOBRA 310TS **ARTICLE NUMBER:** 58.914E/S 220V-50Hz SUPPLY (BZ/ARABIA/PH)
CC2 E/S

REF. DRAW: 02-04

POS. ITEM	CODICE PART NUMBER	DESCRIZIONE	DESIGNATION	QUANTITA' QUANTITY
036	27.117/230	SCHEDA ELETTRONICA	PC BOARD	1
039	27.112/230	SCHEDA METALDETECTOR	PC BOARD METAL	1
049	24.006	CAVO	POWER CORD	1
050	22.003	CONDENSATORE 8mF	CAPACITOR 8Mf	2
109	24.207	POMPA	PUMP	1
122	07.090	MOTORIDUTTORE	GEAR MOTOR	2

SPARE PART LIST

MODEL: KOBRA 310TS **ARTICLE NUMBER:** COMMON PARTS 58.435 E/S
CC4 E/S

REF. DRAW: 01-02-04-06-07-08-10-13

POS. ITEM	CODICE PART NUMBER	DESCRIZIONE	DESIGNATION	QUANTITA' QUANTITY
001	01.834	MOBILE	CABINET	1
002	51.050	GUIDA	GUIDE	2
003	01.061	TELAIO PORTASACCO	BAG FRAME	1
004	28.032	PORTASACCO	BAG HOLDER	1
005	51.300	SACCHETTO CD/DVD	CD/DVD BAG	1
006	51.056	PIASTRINA	HINGE PLATE	2
007	51.057	CERNIERA	HINGE	2
008	53.994	VITE 3,5x16	SCREW 3,5x16	4
010	51.238	CRICCHETTO	LOCK	1
011	53.305	VITE 2,5x12	SCREW 2,5x12	2
012	51.237	MANIGLIA	HANDLE	1
013	51.038	MAGNETE	MAGNET	1
014	53.993	VITE 3,9x9,5	SCREW 3,9x9,5	1
015	53.396	VITE M4x25	SCREW M4x25	2
016	51.062	SACCHETTO	BAG	1
017	32.013	RUOTE	CASTER	4
018	53.359	VITE 4x16	SCREW 4x16	24
019	02.160	COPERCHIO	PLASTIC COVER	1
020	02.170	PANNELLO	PANEL	1
021	16.230	SUPPORTO SCHEDA METAL	PC BOARD HOLDER	1
022	23.036	INTERRUTTORE	ON / OFF SWITCH	1
023	02.055	DIFFUSORE LUMINOSO	LIGHT OPTICAL INDICATOR	1
024	37.309	ETICHETTA ENERGY SMART	ENERGY SMART LABEL	1
025	27.008	PORTADIODI	SENSOR HOLDER	3
026	27.071	DIODO EMETTITORE	EMITTER DIODE	2
027	27.072	DIODO RICEVITORE	RECEIVER DIODE	2
028	24.235	LED BLU	LED LIGHT	2
029	51.037	MOLLETTA	SPRING	6
030	25.015	MICROINTERRUTTORE	MICROSWITCH	1
031	24.233	CABLAGGIO SACCO PIENO	BAG FULL HARDNESS	1
032	24.211	SENSORE MAGNETICO	MAGNETIC SENSOR	1
033	53.603	PRESSACAVO	BUSHING	1
034	53.349	VITE 4x16	SCREW 4x16	8
035	24.268	CABLAGGIO SCHEDA PULSANTIERA	PC BOARD HARDNESS	1
037	27.118	PULSANTIERA	SWITCH PANEL	1
038	53.348	VITE 2,5x6	SCREW 2,5x6	7
041	53.328	VITE 4x10	SCREW 4x10	2
042	27.115	METALDETECTOR	METALDETECTOR	1
043	16.211/V	CONTENITORE OLIO	OIL BOTTLE HOLDER	1
044	53.306	VITE 2,9x13	SCREW 2,9x13	3
045	51.085	OLIO 1000cc	SHREDDER OIL	1
046	51.084	TAPPO	CAP	1
047	01.700	VASCHETTA	BOTTON COVER	1
048	53.360	VITE M3x13	SCREW M3x13	4
051	04.305	COLTELLO	KNIFE	1
052	04.307	COLTELLO	KNIFE	1
053	06.043	PETTINE	STRIPPER	150
054	16.121	PARATIA	PLATE	1
055	08.060	PERNO PARATIA	FLAP HOLDER	1

SPARE PART LIST

MODEL: KOBRA 310TS **ARTICLE NUMBER:** COMMON PARTS 58.435 E/S
CC4 E/S

REF. DRAW: 01-02-04-06-07-08-10-13

POS. ITEM	CODICE PART NUMBER	DESCRIZIONE	DESIGNATION	QUANTITA' QUANTITY
056	16.220	PARATIA SACCO PIENO	BAG FULL FLAP	1
057	08.070	PARATIA	PLATE	1
058	14.200	PIASTRA DX	RIGHT PLATE	1
059	14.201	PIASTRA SX	LEFT PLATE	1
060	18.019	PORTACUSCINETTO	BEARING HOLDER	2
061	19.014	CUSCINETTO 6002.2ZR	BEARING 6002.2ZR	4
062	10.026	INGRANAGGIO	GEAR	2
063	10.029	INGRANAGGIO	GEAR	1
064	53.415	LINGUETTA 5x5x16	KEY 5x5x16	5
065	14.023	DISTANZIALE	ROD	12
066	11.012	CORONA Z22	CHAIN WELL	2
067	12.009	PIGNONE z9	CHAIN WELL	2
068	08.065	DISTANZIALE	ROD	2
069	08.066	DISTANZIALE	ROD	2
070	16.228	PARATIA	PLATE	2
071	53.200	SEEGER DIA 10	LOCKING RING	2
072	53.202	SEEGER DIA 15	LOCKING RING	11
073	53.203	SEEGER DIA 22	LOCKING RING	4
075	04.273	RULLO	KNIFE	1
076	04.274	RULLO	KNIFE	1
077	19.027	BOCCOLA	BUSHING	4
078	14.056	PIASTRA	PLATE	1
079	53.602	ANTIVIBRANTE	SHOCK ABSORBER	2
080	53.201	SEEGER DIA 12	LOCKING RING	4
081	02.145	PETTINE	STRIPPER	1
082	02.144	PETTINE	STRIPPER	1
083	10.083	INGRANAGGIO	GEAR	2
084	10.079	INGRANAGGIO	GEAR	1
085	10.084	INGRANAGGIO	GEAR	1
086	17.211	ALBERO	SHAFT	1
088	53.331	VITE M4x10	SCREW M4x10	18
089	53.142	RONDELLA DENTELLATA M4	TOOTHED WASHER M4	18
092	53.901	VITE M8x20	SCREW M8x20	1
093	53.146	RONDELLA DENTELLATA M8	TOOTHED WASHER M8	1
094	53.185	RONDELLA M8	WASHER M8	1
095	53.345	VITE M5x25	SCREW M5x25	5
096	53.143	RONDELLA DENTELLATA M5	TOOTHED WASHER M5	21
099	53.332	VITE M5x12	SCREW M5x12	12
102	53.702	DADO M4	EXAGON NUT M4	14
103	13.031	CATENA 37 PASSI	CHAIN	1
104	53.204	SEEGER DIA 5	LOCKING RING	2
105	16.064	OIL WICK	OIL WICK	1
106	51.560	TUBO	TUBE	MT.0,30
107	51.610	RACCORDO	JUNCTION	1
108	24.204	SENSORE OTTICO OLIO	OIL OPTICAL SENSOR	1
110	01.985	SUPPORTO POMPA	PUMP HOLDER	1
114	53.703	DADO M5	EXAGON NUT M5	2
123	13.009	CATENA 44 PASSI	CHAIN	1
125	25.045	TASTO INTERRUPTORE	SWITCH COVER	1
130	29.065	SCATOLA CARTONE	CARTON BOX	1
131	30.030	FONDO POLISTIROLO	STYROFOAM BOTTOM	1
132	30.031	ANGOLARE	CORNER	4
133	29.068	CARTONE	CARTON	1

SPARE PART LIST

MODEL: KOBRA 310TS **ARTICLE NUMBER:** COMMON PARTS 58.435 E/S
CC4 E/S

REF. DRAW: 01-02-04-06-07-08-10-13

POS. ITEM	CODICE PART NUMBER	DESCRIZIONE	DESIGNATION	QUANTITA' QUANTITY
134	30.032	COPERCHIO POLISTIROLO	STYROFOAM COVER	1
135	29.066	SCATOLA CARTONE	CARTON BOX	1
136	30.026	SET POLISTIROLO	STYROFOAM SET	1
138	51.090	OLIO 125cc	SHREDDER OIL	1
139	60.063	ISTRUZIONI	OPERATING INSTRUCTION	1
140	60.004	DICHIARAZIONE CE		1
141	60.001	GARANZIA	WARRANTY CARD	1
142	51.062	SACCHETTO	BAG	1
143	08.067	DISTANZIALE	ROD	2

SPARE PART LIST

MODEL: KOBRA 310TS **ARTICLE NUMBER:** 58.465E/S 230V-50Hz **SUPPLY (EUROPE)**
CC4 E/S

REF. DRAW: 02-04

POS. ITEM	CODICE PART NUMBER	DESCRIZIONE	DESIGNATION	QUANTITA' QUANTITY
036	27.117/230	SCHEDA ELETTRONICA	PC BOARD	1
039	27.112/230	SCHEDA METALDETECTOR	PC BOARD METAL	1
049	24.001	CAVO	POWER CORD	1
050	22.003	CONDENSATORE 8mF	CAPACITOR 8Mf	2
109	24.207	POMPA	PUMP	1
122	07.090	MOTORIDUTTORE	GEAR MOTOR	2

SPARE PART LIST

MODEL: KOBRA 310TS **ARTICLE NUMBER:** 58.515E/S 115V-60Hz **SUPPLY (USA / CANADA /)**
CC4 E/S

REF. DRAW: 02-04

POS. ITEM	CODICE PART NUMBER	DESCRIZIONE	DESIGNATION	QUANTITA' QUANTITY
036	27.117/115	SCHEDA ELETTRONICA	PC BOARD	1
039	27.112/115	SCHEDA METALDETECTOR	PC BOARD METAL	1
049	24.006	CAVO	POWER CORD	1
050	22.005	CONDENSATORE 30mF	CAPACITOR 30mF	2
109	24.208	POMPA	PUMP	1
122	07.091	MOTORIDUTTORE	GEAR MOTOR	2

SPARE PART LIST

MODEL: KOBRA 310TS **ARTICLE NUMBER:** 58.565E/S 110V-60Hz **SUPPLY (TAIWAN / BRASIL)**
CC4 E/S

REF. DRAW: 02-04

POS. ITEM	CODICE PART NUMBER	DESCRIZIONE	DESIGNATION	QUANTITA' QUANTITY
036	27.117/115	SCHEDA ELETTRONICA	PC BOARD	1
039	27.112/115	SCHEDA METALDETECTOR	PC BOARD METAL	1
049	24.006	CAVO	POWER CORD	1
050	22.005	CONDENSATORE 30mF	CAPACITOR 30mF	2
109	24.208	POMPA	PUMP	1
122	07.091	MOTORIDUTTORE	GEAR MOTOR	2

SPARE PART LIST

MODEL: KOBRA 310TS **ARTICLE NUMBER:** 58.615 E/S 100V-50/60Hz **SUPPLY (JAPAN)**
CC4 E/S

REF. DRAW: 02-04

POS. ITEM	CODICE PART NUMBER	DESCRIZIONE	DESIGNATION	QUANTITA' QUANTITY
036	27.117/115	SCHEDA ELETTRONICA	PC BOARD	1
039	27.112/115	SCHEDA METALDETECTOR	PC BOARD METAL	1
049	24.010	CAVO	POWER CORD	1
050	22.002	CONDENSATORE 35mF	CAPACITOR 35Mf	2
109	24.208	POMPA	PUMP	1
122	07.091	MOTORIDUTTORE	GEAR MOTOR	2

SPARE PART LIST

MODEL: KOBRA 310TS **ARTICLE NUMBER:** 58.665E/S 230V-50Hz SUPPLY (ISRAEL)
CC4 E/S

REF. DRAW: 02-04

POS. ITEM	CODICE PART NUMBER	DESCRIZIONE	DESIGNATION	QUANTITA' QUANTITY
036	27.117/230	SCHEDA ELETTRONICA	PC BOARD	1
039	27.112/230	SCHEDA METALDETECTOR	PC BOARD METAL	1
049	24.052	CAVO	POWER CORD	1
050	22.003	CONDENSATORE 8mF	CAPACITOR 8Mf	2
109	24.207	POMPA	PUMP	1
122	07.090	MOTORIDUTTORE	GEAR MOTOR	2

SPARE PART LIST

MODEL: KOBRA 310TS **ARTICLE NUMBER:** 58.715E/S 230V-50Hz SUPPLY (HK/BAHRAIN)
CC4 E/S

REF. DRAW: 02-04

POS. ITEM	CODICE PART NUMBER	DESCRIZIONE	DESIGNATION	QUANTITA' QUANTITY
036	27.117/230	SCHEDA ELETTRONICA	PC BOARD	1
039	27.112/230	SCHEDA METALDETECTOR	PC BOARD METAL	1
049	24.055	CAVO	POWER CORD	1
050	22.003	CONDENSATORE 8mF	CAPACITOR 8Mf	2
109	24.207	POMPA	PUMP	1
122	07.090	MOTORIDUTTORE	GEAR MOTOR	2

SPARE PART LIST

MODEL: KOBRA 310TS **ARTICLE NUMBER:** 58.765E/S 240V-50Hz SUPPLY (UK/MALESIA)
CC4 E/S

REF. DRAW: 02-04

POS. ITEM	CODICE PART NUMBER	DESCRIZIONE	DESIGNATION	QUANTITA' QUANTITY
036	27.117/230	SCHEDA ELETTRONICA/230V	PC BOARD	1
039	27.112/230	SCHEDA METALDETECTOR	PC BOARD METAL	1
049	24.055	CAVO	POWER CORD	1
050	22.007	CONDENSATORE 4mF	CAPACITOR 4Mf	2
109	24.207	POMPA	PUMP	1
122	07.090	MOTORIDUTTORE	GEAR MOTOR	2

SPARE PART LIST

MODEL: KOBRA 310TS **ARTICLE NUMBER:** 58.815E/S 240V-50Hz SUPPLY (AUSTRALIA)
CC4 E/S

REF. DRAW: 02-04

POS. ITEM	CODICE PART NUMBER	DESCRIZIONE	DESIGNATION	QUANTITA' QUANTITY
036	27.117/230	SCHEDA ELETTRONICA	PC BOARD	1
039	27.112/230	SCHEDA METALDETECTOR	PC BOARD METAL	1
049	24.009	CAVO	POWER CORD	1
050	22.007	CONDENSATORE 4mF	CAPACITOR 4Mf	2
109	24.207	POMPA	PUMP	1
122	07.090	MOTORIDUTTORE	GEAR MOTOR	2

95,00

SPARE PART LIST

MODEL: KOBRA 310TS **ARTICLE NUMBER:** 58.865E/S 240V-50Hz SUPPLY (INDIA)
CC4 E/S

REF. DRAW: 02-04

POS. ITEM	CODICE PART NUMBER	DESCRIZIONE	DESIGNATION	QUANTITA' QUANTITY
036	27.117/230	SCHEDA ELETTRONICA	PC BOARD	1
039	27.112/230	SCHEDA METALDETECTOR	PC BOARD METAL	1
049	24.001	CAVO	POWER CORD	1
050	22.007	CONDENSATORE 4mF	CAPACITOR 4Mf	2
109	24.207	POMPA	PUMP	1
122	07.090	MOTORIDUTTORE	GEAR MOTOR	2

SPARE PART LIST

MODEL: KOBRA 310TS **ARTICLE NUMBER:** 58.915E/S 220V-50Hz SUPPLY (BZ/ARABIA/PH)
CC4 E/S

REF. DRAW: 02-04

POS. ITEM	CODICE PART NUMBER	DESCRIZIONE	DESIGNATION	QUANTITA' QUANTITY
036	27.117/230	SCHEDA ELETTRONICA	PC BOARD	1
039	27.112/230	SCHEDA METALDETECTOR	PC BOARD METAL	1
049	24.006	CAVO	POWER CORD	1
050	22.003	CONDENSATORE 8mF	CAPACITOR 8Mf	2
109	24.207	POMPA	PUMP	1
122	07.090	MOTORIDUTTORE	GEAR MOTOR	2

SPARE PART LIST

MODEL: KOBRA 310TS **ARTICLE NUMBER:** COMMON PARTS 58.436 E/S
HS E/S

REF. DRAW: 01-02-05-06-07-09-11-14

POS. ITEM	CODICE PART NUMBER	DESCRIZIONE	DESIGNATION	QUANTITA' QUANTITY
001	01.834	MOBILE	CABINET	1
002	51.050	GUIDA	GUIDE	2
003	01.061	TELAIO PORTASACCO	BAG FRAME	1
004	28.032	PORTASACCO	BAG HOLDER	1
005	51.300	SACCHETTO CD/DVD	CD/DVD BAG	1
006	51.056	PIASTRINA	HINGE PLATE	2
007	51.057	CERNIERA	HINGE	2
008	53.994	VITE 3,5x16	SCREW 3,5x16	4
010	51.238	CRICCHETTO	LOCK	1
011	53.305	VITE 2,5x12	SCREW 2,5x12	2
012	51.237	MANIGLIA	HANDLE	1
013	51.038	MAGNETE	MAGNET	1
014	53.993	VITE 3,9x9,5	SCREW 3,9x9,5	1
015	53.396	VITE M4x25	SCREW M4x25	2
016	51.062	SACCHETTO	BAG	1
017	32.013	RUOTE	CASTER	4
018	53.359	VITE 4x16	SCREW 4x16	24
019	02.160	COPERCHIO	PLASTIC COVER	1
020	02.171	PANNELLO	PANEL	1
021	16.230	SUPPORTO SCHEDE METAL	PC BOARD HOLDER	1
022	23.036	INTERRUTTORE	ON / OFF SWITCH	1
023	02.055	DIFFUSORE LUMINOSO	LIGHT OPTICAL INDICATOR	1
024	37.309	ETICHETTA ENERGY SMART	ENERGY SMART LABEL	1
025	27.008	PORTADIODI	SENSOR HOLDER	3
026	27.071	DIODO EMETTITORE	EMITTER DIODE	2
027	27.072	DIODO RICEVITORE	RECEIVER DIODE	2
028	24.235	LED BLU	LED LIGHT	2
029	51.037	MOLLETTA	SPRING	6
030	25.015	MICROINTERRUTTORE	MICROSWITCH	1
031	24.233	CABLAGGIO SACCO PIENO	BAG FULL HARDNESS	1
032	24.211	SENSORE MAGNETICO	MAGNETIC SENSOR	1
033	53.603	PRESSACAPO	BUSHING	1
034	53.349	VITE 4x16	SCREW 4x16	8
035	24.268	CABLAGGIO SCHEDE PULSANTIERA	PC BOARD HARDNESS	1
037	27.118	PULSANTIERA	SWITCH PANEL	1
038	53.348	VITE 2,5x6	SCREW 2,5x6	7
041	53.328	VITE 4x10	SCREW 4x10	2
042	27.115	METALDETECTOR	METALDETECTOR	1
043	16.211/V	CONTENITORE OLIO	OIL BOTTLE HOLDER	1
044	53.306	VITE 2,9x13	SCREW 2,9x13	3
045	51.085	OLIO 1000cc	SHREDDER OIL	1
046	51.084	TAPPO	CAP	1
047	01.700	VASCHETTA	BOTTOM COVER	1
048	53.360	VITE M3x13	SCREW M3x13	4
051	17.028	ALBERO	SHAFT	1
052	17.027	ALBERO	SHAFT	1
053	06.005	PETTINE	STRIPPER	346
055	05.004	LAMA	LAMA	346

SPARE PART LIST**MODEL:** KOBRA 310TS **ARTICLE NUMBER:** COMMON PARTS 58.436 E/S
HS E/S**REF. DRAW:** 01-02-05-06-07-09-11-14

POS. ITEM	CODICE PART NUMBER	DESCRIZIONE	DESIGNATION	QUANTITA' QUANTITY
056	36.002	ANELLO	RING	346
057	08.136	DISTANZIALE	ROD	4
058	18.036	PORTACUSCINETTO	BEARING HOLDER	2
059	53.208	SEEGER DIA 29	LOCKING RING	4
060	19.014	CUSCINETTO 6002.2ZR	BEARING 6002.2ZR	4
061	53.202	SEEGER DIA 15	LOCKING RING	5
062	10.011	INGRANAGGIO	GEAR	2
063	16.121	PIASTRA	PLATE	1
064	16.220	PARATIA SACCO PIENO	BAG FULL FLAP	1
065	08.060	PERNO PARATIA	FLAP HOLDER	1
066	08.070	PARATIA	PLATE	1
067	14.203	PIASTRA SX	LEFT PLATE	1
068	14.202	PIASTRA DX	RIGHT PLATE	1
069	14.023	DISTANZIALE	ROD	12
070	53.143	RONDELLA DENTELLATA M5	TOOTHED WASHER M5	13
071	53.335	VITE M5	SCREW M5X20	9
072	11.009	CORONA Z26	CHAIN WELL	2
073	12.009	PIGNONE Z9	CHAIN WELL	2
074	53.200	SEEGER DIA 10	SEEGER DIA 10	2
075	13.031	CATENA 37 PASSI	CHAIN	1
076	53.331	VITE M4X10	SCREW M4X10	16
077	53.142	RONDELLA DENTELLATA M4	TOOTHED WASHER M5	10
078	53.431	LINGUETTA 5X5X10	KEY 5X5X10	3
082	53.702	DADO M4	EXAGON NUT M4	5
083	53.706	DADO M8	EXAGON NUT M8	8
084	53.146	RONDELLA DENTELLATA M8	TOOTHED WASHER M8	8
085	16.054	OIL WICK	OIL WICK	1
086	01.985	SUPPORTO POMPA	PUMP HOLDER	1
087	51.560	TUBO	TUBER	MT.0.30
093	24.204	SENSORE OTTICO OLIO	OIL OPTICAL SENSOR	1
094	51.610	RACCORDO	JUNCTION	1
095	53.703	DADO M5	EXAGON NUT M5	2
099	13.005	CATENA 47 PASSI	CHAIN	1
125	25.045	TASTO INTERRUTTORE	SWITCH COVER	1
130	29.065	SCATOLA CARTONE	CARTON BOX	1
131	30.030	FONDO POLISTIROLO	STYROFOAM BOTTOM	1
132	30.031	ANGOLARE	CORNER	4
133	29.068	CARTONE	CARTON	1
134	30.032	COPERCHIO POLISTIROLO	STYROFOAM COVER	1
135	29.066	SCATOLA CARTONE	CARTON BOX	1
136	30.026	SET POLISTIROLO	STYROFOAM SET	1
138	51.090	OLIO 125CC	SHREDDER OIL	1
139	60.063	ISTRUZIONI	OPERATING INSTRUCTION	1
140	60.004	DICHIARAZIONE CEE		1
141	60.001	GARANZIA	WARRANTY CARD	1
142	51.062	SACCHETTO	BAG	1

SPARE PART LIST**MODEL:** KOBRA 310TS **ARTICLE NUMBER:** 58.466E/S 230V-50Hz **SUPPLY (EUROPE)**
HS E/S**REF. DRAW:** 02-05

POS. ITEM	CODICE PART NUMBER	DESCRIZIONE	DESIGNATION	QUANTITA' QUANTITY
036	27.117/230	SCHEDA ELETTRONICA	PC BOARD	1
039	27.112/230	SCHEDA METALDETECTOR	PC BOARD METAL	1
049	24.001	CAVO	POWER CORD	1
050	22.003	CONDENSATORE 8mF	CAPACITOR 8mF	2
092	24.207	POMPA	PUMP	1
097	07.090	MOTORIDUTTORE	GEAR MOTOR	2

SPARE PART LIST**MODEL:** KOBRA 310TS **ARTICLE NUMBER:** 58.516E/S 115V-60Hz **SUPPLY (USA/CANADA)**
HS E/S**REF. DRAW:** 02-05

POS. ITEM	CODICE PART NUMBER	DESCRIZIONE	DESIGNATION	QUANTITA' QUANTITY
036	27.117/115	SCHEDA ELETTRONICA	PC BOARD	1
039	27.112/115	SCHEDA METALDETECTOR	PC BOARD METAL	1
049	24.006	CAVO	POWER CORD	1
050	22.005	CONDENSATORE 30mF	CAPACITOR 30mF	2
092	24.208	POMPA	PUMP	1
097	07.091	MOTORIDUTTORE	GEAR MOTOR	2

SPARE PART LIST**MODEL:** KOBRA 310TS **ARTICLE NUMBER:** 58.566E/S 110V-60Hz **SUPPLY (TAIWAN/BRASIL)**
HS E/S**REF. DRAW:** 02-05

POS. ITEM	CODICE PART NUMBER	DESCRIZIONE	DESIGNATION	QUANTITA' QUANTITY
036	27.117/115	SCHEDA ELETTRONICA	PC BOARD	1
039	27.112/115	SCHEDA METALDETECTOR	PC BOARD METAL	1
049	24.006	CAVO	POWER CORD	1
050	22.005	CONDENSATORE 30mF	CAPACITOR 30mF	2
092	24.208	POMPA	PUMP	1
097	07.091	MOTORIDUTTORE	GEAR MOTOR	2

SPARE PART LIST**MODEL:** KOBRA 310TS **ARTICLE NUMBER:** 58.616E/S 100V-50/60 Hz **SUPPLY (JAPAN)**
HS E/S**REF. DRAW:** 02-05

POS. ITEM	CODICE PART NUMBER	DESCRIZIONE	DESIGNATION	QUANTITA' QUANTITY
036	27.117/115	SCHEDA ELETTRONICA	PC BOARD	1
039	27.112/115	SCHEDA METALDETECTOR	PC BOARD METAL	1
049	24.006	CAVO	POWER CORD	1
050	22.005	CONDENSATORE 30mF	CAPACITOR 30mF	2
092	24.208	POMPA	PUMP	1
097	07.091	MOTORIDUTTORE	GEAR MOTOR	2

SPARE PART LIST**MODEL:** KOBRA 310TS **ARTICLE NUMBER:** 58.666E/S 230V-50Hz **SUPPLY (ISRAELE)**
HS E/S**REF. DRAW:** 02-05

POS. ITEM	CODICE PART NUMBER	DESCRIZIONE	DESIGNATION	QUANTITA' QUANTITY
036	27.117/230	SCHEDA ELETTRONICA	PC BOARD	1
039	27.112/230	SCHEDA METALDETECTOR	PC BOARD METAL	1
049	24.052	CAVO	POWER CORD	1
050	22.003	CONDENSATORE 8mF	CAPACITOR 8mF	2
092	24.207	POMPA	PUMP	1
097	07.090	MOTORIDUTTORE	GEAR MOTOR	2

SPARE PART LIST**MODEL:** KOBRA 310TS **ARTICLE NUMBER:** 58.716E/S 230V-50Hz **SUPPLY (HK/BAHRAIN)**
HS E/S**REF. DRAW:** 02-05

POS. ITEM	CODICE PART NUMBER	DESCRIZIONE	DESIGNATION	QUANTITA' QUANTITY
036	27.117/230	SCHEDA ELETTRONICA	PC BOARD	1
039	27.112/230	SCHEDA METALDETECTOR	PC BOARD METAL	1
049	24.055	CAVO	POWER CORD	1
050	22.003	CONDENSATORE 8mF	CAPACITOR 8mF	2
092	24.207	POMPA	PUMP	1
097	07.090	MOTORIDUTTORE	GEAR MOTOR	2

SPARE PART LIST**MODEL:** KOBRA 310TS **ARTICLE NUMBER:** 58.766E/S 240V-50Hz **SUPPLY (UK/MALESIA)**
HS E/S**REF. DRAW:** 02-05

POS. ITEM	CODICE PART NUMBER	DESCRIZIONE	DESIGNATION	QUANTITA' QUANTITY
036	27.117/230	SCHEDA ELETTRONICA	PC BOARD	1
039	27.112/230	SCHEDA METALDETECTOR	PC BOARD METAL	1
049	24.055	CAVO	POWER CORD	1
050	22.007	CONDENSATORE 4mF	CAPACITOR 4mF	2
092	24.207	POMPA	PUMP	1
097	07.090	MOTORIDUTTORE	GEAR MOTOR	2

SPARE PART LIST**MODEL:** KOBRA 310TS **ARTICLE NUMBER:** 58.866E/S 240V-50Hz **SUPPLY (INDIA)**
HS E/S**REF. DRAW:** 02-05

POS. ITEM	CODICE PART NUMBER	DESCRIZIONE	DESIGNATION	QUANTITA' QUANTITY
036	27.117/230	SCHEDA ELETTRONICA	PC BOARD	1
039	27.112/230	SCHEDA METALDETECTOR	PC BOARD METAL	1
049	24.001	CAVO	POWER CORD	1
050	22.007	CONDENSATORE 4mF	CAPACITOR 4mF	2
092	24.207	POMPA	PUMP	1
097	07.090	MOTORIDUTTORE	GEAR MOTOR	2

SPARE PART LIST

MODEL: KOBRA 310TS **ARTICLE NUMBER:** 58.916E/S 220V-60Hz **SUPPLY (BZ/ARABIA/PH)**
HS E/S

REF. DRAW: 02-05

POS. ITEM	CODICE PART NUMBER	DESCRIZIONE	DESIGNATION	QUANTITA' QUANTITY
036	27.117/230	SCHEDA ELETTRONICA	PC BOARD	1
039	27.112/230	SCHEDA METALDETECTOR	PC BOARD METAL	1
049	24.006	CAVO	POWER CORD	1
050	22.003	CONDENSATORE 8mF	CAPACITOR 8Mf	2
092	24.207	POMPA	PUMP	1
097	07.090	MOTORIDUTTORE	GEAR MOTOR	2

SPARE PART LIST

MODEL: KOBRA 310TS **ARTICLE NUMBER:** 58.816E/S 240V-50Hz **SUPPLY (AUSTRALIA)**
HS E/S

REF. DRAW: 02-05

POS. ITEM	CODICE PART NUMBER	DESCRIZIONE	DESIGNATION	QUANTITA' QUANTITY
036	27.117/230	SCHEDA ELETTRONICA	PC BOARD	1
039	27.112/230	SCHEDA METALDETECTOR	PC BOARD METAL	1
049	24.009	CAVO	POWER CORD	1
050	22.007	CONDENSATORE 4Mf	CAPACITOR 4mF	2
092	24.207	POMPA	PUMP	1
097	07.090	MOTORIDUTTORE	GEAR MOTOR	2

SPARE PART LIST**MODEL:** KOBRA 310TS **ARTICLE NUMBER:** COMMON PARTS 58.437 E/S
HS-6 E/S**REF. DRAW:** 01-02-05-06-07-09-11-14

POS. ITEM	CODICE PART NUMBER	DESCRIZIONE	DESIGNATION	QUANTITA' QUANTITY
001	01.834	MOBILE	CABINET	1
002	51.050	GUIDA	GUIDE	2
003	01.061	TELAIO PORTASACCO	BAG FRAME	1
004	28.032	PORTASACCO	BAG HOLDER	1
005	51.300	SACCHETTO CD/DVD	CD/DVD BAG	1
006	51.056	PIASTRINA	HINGE PLATE	2
007	51.057	CERNIERA	HINGE	2
008	53.994	VITE 3,5x16	SCREW 3,5x16	4
010	51.238	CRICCHETTO	LOCK	1
011	53.305	VITE 2,5x12	SCREW 2,5x12	2
012	51.237	MANIGLIA	HANDLE	1
013	51.038	MAGNETE	MAGNET	1
014	53.993	VITE 3,9x9,5	SCREW 3,9x9,5	1
015	53.396	VITE M4x25	SCREW M4x25	2
016	51.062	SACCHETTO	BAG	1
017	32.013	RUOTE	CASTER	4
018	53.359	VITE 4x16	SCREW 4x16	24
019	02.160	COPERCHIO	PLASTIC COVER	1
020	02.171	PANNELLO	PANEL	1
021	16.230	SUPPORTO SCHEDA METAL	PC BOARD HOLDER	1
022	23.036	INTERRUTTORE	ON / OFF SWITCH	1
023	02.055	DIFFUSORE LUMINOSO	LIGHT OPTICAL INDICATOR	1
024	37.309	ETICHETTA ENERGY SMART	ENERGY SMART LABEL	1
025	27.008	PORTADIODI	SENSOR HOLDER	3
026	27.071	DIODO EMETTITORE	EMITTER DIODE	2
027	27.072	DIODO RICEVITORE	RECEIVER DIODE	2
028	24.235	LED BLU	LED LIGHT	2
029	51.037	MOLLETTA	SPRING	6
030	25.015	MICROINTERRUTTORE	MICROSWITCH	1
031	24.233	CABLAGGIO SACCO PIENO	BAG FULL HARDNESS	1
032	24.211	SENSORE MAGNETICO	MAGNETIC SENSOR	1
033	53.603	PRESSACAVO	BUSHING	1
034	53.349	VITE 4x16	SCREW 4x16	8
035	24.268	CABLAGGIO SCHEDA PULSANTIERA	PC BOARD HARDNESS	1
037	27.118	PULSANTIERA	SWITCH PANEL	1
038	53.348	VITE 2,5x6	SCREW 2,5x6	7
041	53.328	VITE 4x10	SCREW 4x10	2
042	27.115	METALDETECTOR	METALDETECTOR	1
043	16.211/V	CONTENITORE OLIO	OIL BOTTLE HOLDER	1
044	53.306	VITE 2,9x13	SCREW 2,9x13	3
045	51.085	OLIO 1000cc	SHREDDER OIL	1
046	51.084	TAPPO	CAP	1
047	01.700	VASCHETTA	BOTTOM COVER	1
048	53.360	VITE M3x13	SCREW M3x13	4
051	17.028	ALBERO	SHAFT	1
052	17.027	ALBERO	SHAFT	1
053	06.005	PETTINE	STRIPPER	30
054	06.006	PETTINE	STRIPPER	336
055	05.011	LAMA	LAMA	356

SPARE PART LIST**MODEL:** KOBRA 310TS **ARTICLE NUMBER:** COMMON PARTS 58.437 E/S
HS-6 E/S**REF. DRAW:** 01-02-05-06-07-09-11-14

POS. ITEM	CODICE PART NUMBER	DESCRIZIONE	DESIGNATION	QUANTITA' QUANTITY
056	36.004	ANELLO	RING	356
057	08.136	DISTANZIALE	ROD	4
058	18.010	PORTACUSCINETTO	BEARING HOLDER	2
059	53.208	SEEGER DIA 29	LOCKING RING	4
060	19.014	CUSCINETTO 6002.2ZR	BEARING 6002.2ZR	4
061	53.202	SEEGER DIA 15	LOCKING RING	5
062	10.011	INGRANAGGIO	GEAR	2
063	16.121	PIASTRA	PLATE	1
064	16.220	PARATIA SACCO PIENO	BAG FULL FLAP	1
065	08.060	PERNO PARATIA	FLAP HOLDER	1
066	08.070	PARATIA	PLATE	1
067	14.203	PIASTRA SX	LEFT PLATE	1
068	14.202	PIASTRA DX	RIGHT PLATE	1
069	14.023	DISTANZIALE	ROD	12
070	53.143	RONDELLA DENTELLATA M5	TOOTHED WASHER M5	13
071	53.335	VITE M5	SCREW M5X20	9
072	11.009	CORONA Z26	CHAIN WELL	2
073	12.009	PIGNONE Z9	CHAIN WELL	2
074	53.200	SEEGER DIA 10	SEEGER DIA 10	2
075	13.030	CATENA 39 PASSI	CHAIN	1
076	53.331	VITE M4X10	SCREW M4X10	16
077	53.142	RONDELLA DENTELLATA M4	TOOTHED WASHER M5	10
078	53.431	LINGUETTA 5X5X10	KEY 5X5X10	3
082	53.702	DADO M4	EXAGON NUT M4	5
083	53.706	DADO M8	EXAGON NUT M8	8
084	53.146	RONDELLA DENTELLATA M8	TOOTHED WASHER M8	8
085	16.054	OIL WICK	OIL WICK	1
086	01.985	SUPPORTO POMPA	PUMP HOLDER	1
087	51.560	TUBO	TUBER	MT.0.30
093	24.204	SENSORE OTTICO OLIO	OIL OPTICAL SENSOR	1
094	51.610	RACCORDO	JUNCTION	1
095	53.703	DADO M5	EXAGON NUT M5	2
099	13.011	CATENA 49 PASSI	CHAIN	1
125	25.045	TASTO INTERRUTTORE	SWITCH COVER	1
130	29.065	SCATOLA CARTONE	CARTON BOX	1
131	30.030	FONDO POLISTIROLO	STYROFOAM BOTTOM	1
132	30.031	ANGOLARE	CORNER	4
133	29.068	CARTONE	CARTON	1
134	30.032	COPERCHIO POLISTIROLO	STYROFOAM COVER	1
135	29.066	SCATOLA CARTONE	CARTON BOX	1
136	30.026	SET POLISTIROLO	STYROFOAM SET	1
138	51.090	OLIO 125CC	SHREDDER OIL	1
139	60.063	ISTRUZIONI	OPERATING INSTRUCTION	1
140	60.004	DICHIARAZIONE CEE		1
141	60.001	GARANZIA	WARRANTY CARD	1
142	51.062	SACCHETTO	BAG	1

SPARE PART LIST**MODEL:** KOBRA 310TS **ARTICLE NUMBER:** 58.467E/S 230V-50Hz **SUPPLY (EUROPE)**
HS-6 E/S**REF. DRAW:** 02-05

POS. ITEM	CODICE PART NUMBER	DESCRIZIONE	DESIGNATION	QUANTITA' QUANTITY
036	27.117/230	SCHEDA ELETTRONICA	PC BOARD	1
039	27.112/230	SCHEDA METALDETECTOR	PC BOARD METAL	1
049	24.001	CAVO	POWER CORD	1
050	22.003	CONDENSATORE 8mF	CAPACITOR 8mF	2
092	24.207	POMPA	PUMP	1
097	07.090	MOTORIDUTTORE	GEAR MOTOR	2

SPARE PART LIST**MODEL:** KOBRA 310TS **ARTICLE NUMBER:** 58.517E/S 115V-60Hz **SUPPLY (USA/CANADA)**
HS-6 E/S**REF. DRAW:** 02-05

POS. ITEM	CODICE PART NUMBER	DESCRIZIONE	DESIGNATION	QUANTITA' QUANTITY
036	27.117/115	SCHEDA ELETTRONICA	PC BOARD	1
039	27.112/115	SCHEDA METALDETECTOR	PC BOARD METAL	1
049	24.006	CAVO	POWER CORD	1
050	22.005	CONDENSATORE 30mF	CAPACITOR 30mF	2
092	24.208	POMPA	PUMP	1
097	07.091	MOTORIDUTTORE	GEAR MOTOR	2

SPARE PART LIST**MODEL:** KOBRA 310TS **ARTICLE NUMBER:** 58.567E/S 110V-60Hz **SUPPLY (TAIWAN/BRASIL)**
HS-6 E/S**REF. DRAW:** 02-05

POS. ITEM	CODICE PART NUMBER	DESCRIZIONE	DESIGNATION	QUANTITA' QUANTITY
036	27.117/115	SCHEDA ELETTRONICA	PC BOARD	1
039	27.112/115	SCHEDA METALDETECTOR	PC BOARD METAL	1
049	24.006	CAVO	POWER CORD	1
050	22.005	CONDENSATORE 30mF	CAPACITOR 30mF	2
092	24.208	POMPA	PUMP	1
097	07.091	MOTORIDUTTORE	GEAR MOTOR	2

SPARE PART LIST**MODEL:** KOBRA 310TS **ARTICLE NUMBER:** 58.617E/S 100V-50/60 Hz **SUPPLY (JAPAN)**
HS-6 E/S**REF. DRAW:** 02-05

POS. ITEM	CODICE PART NUMBER	DESCRIZIONE	DESIGNATION	QUANTITA' QUANTITY
036	27.117/115	SCHEDA ELETTRONICA	PC BOARD	1
039	27.112/115	SCHEDA METALDETECTOR	PC BOARD METAL	1
049	24.006	CAVO	POWER CORD	1
050	22.005	CONDENSATORE 30mF	CAPACITOR 30mF	2
092	24.208	POMPA	PUMP	1
097	07.091	MOTORIDUTTORE	GEAR MOTOR	2

SPARE PART LIST**MODEL:** KOBRA 310TS **ARTICLE NUMBER:** 58.667E/S 230V-50Hz **SUPPLY (ISRAELE)**
HS-6 E/S**REF. DRAW:** 02-05

POS. ITEM	CODICE PART NUMBER	DESCRIZIONE	DESIGNATION	QUANTITA' QUANTITY
036	27.117/230	SCHEDA ELETTRONICA	PC BOARD	1
039	27.112/230	SCHEDA METALDETECTOR	PC BOARD METAL	1
049	24.052	CAVO	POWER CORD	1
050	22.003	CONDENSATORE 8mF	CAPACITOR 8mF	2
092	24.207	POMPA	PUMP	1
097	07.090	MOTORIDUTTORE	GEAR MOTOR	2

SPARE PART LIST**MODEL:** KOBRA 310TS **ARTICLE NUMBER:** 58.717E/S 230V-50Hz **SUPPLY (HK/BAHRAIN)**
HS-6 E/S**REF. DRAW:** 02-05

POS. ITEM	CODICE PART NUMBER	DESCRIZIONE	DESIGNATION	QUANTITA' QUANTITY
036	27.117/230	SCHEDA ELETTRONICA	PC BOARD	1
039	27.112/230	SCHEDA METALDETECTOR	PC BOARD METAL	1
049	24.055	CAVO	POWER CORD	1
050	22.003	CONDENSATORE 8mF	CAPACITOR 8mF	2
092	24.207	POMPA	PUMP	1
097	07.090	MOTORIDUTTORE	GEAR MOTOR	2

SPARE PART LIST**MODEL:** KOBRA 310TS **ARTICLE NUMBER:** 58.767E/S 240V-50Hz **SUPPLY (UK/MALESIA)**
HS-6 E/S**REF. DRAW:** 02-05

POS. ITEM	CODICE PART NUMBER	DESCRIZIONE	DESIGNATION	QUANTITA' QUANTITY
036	27.117/230	SCHEDA ELETTRONICA	PC BOARD	1
039	27.112/230	SCHEDA METALDETECTOR	PC BOARD METAL	1
049	24.055	CAVO	POWER CORD	1
050	22.007	CONDENSATORE 4mF	CAPACITOR 4mF	2
092	24.207	POMPA	PUMP	1
097	07.090	MOTORIDUTTORE	GEAR MOTOR	2

SPARE PART LIST**MODEL:** KOBRA 310TS **ARTICLE NUMBER:** 58.867E/S 240V-50Hz **SUPPLY (INDIA)**
HS-6 E/S**REF. DRAW:** 02-0

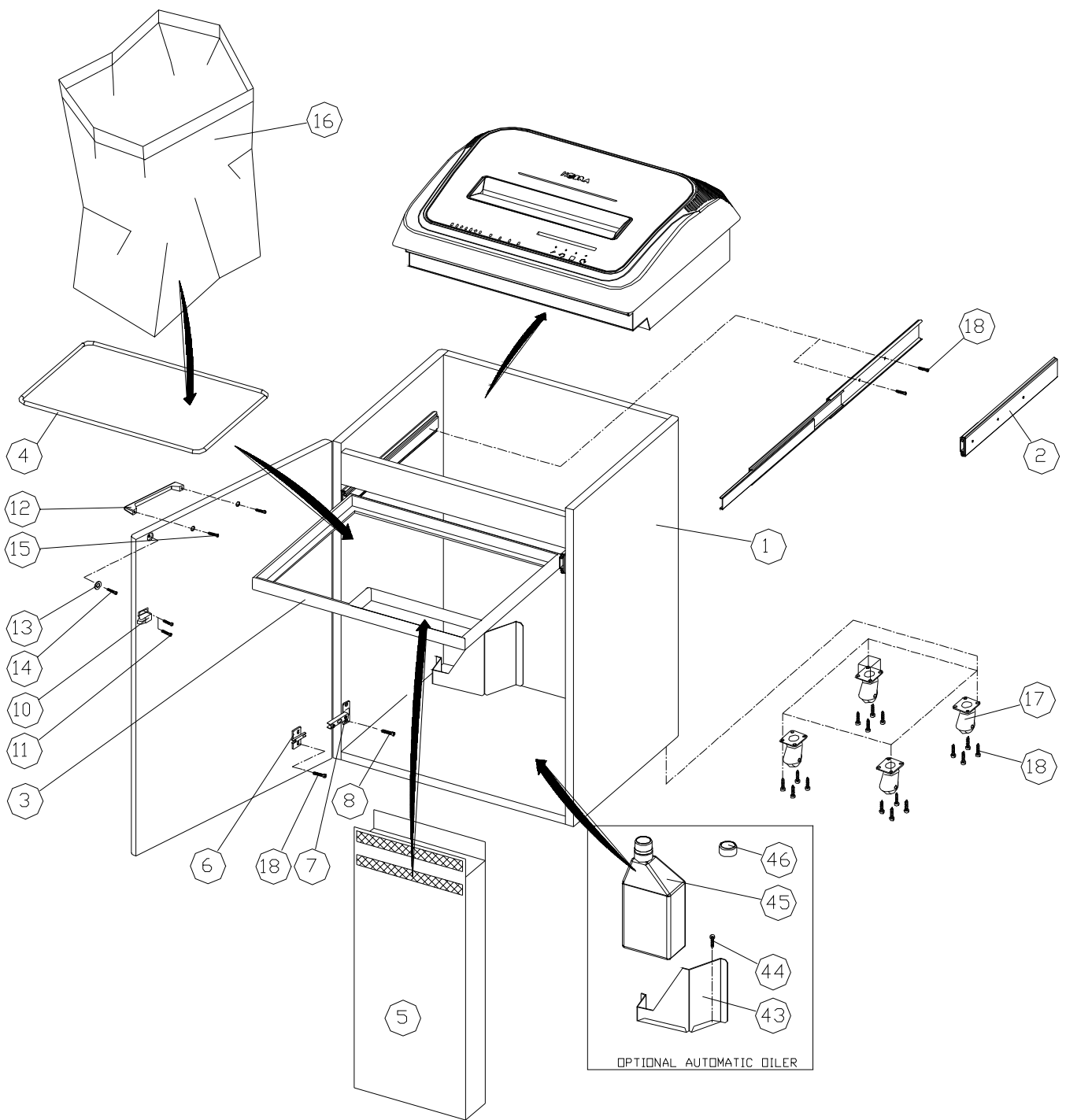
POS. ITEM	CODICE PART NUMBER	DESCRIZIONE	DESIGNATION	QUANTITA' QUANTITY
036	27.117/230	SCHEDA ELETTRONICA	PC BOARD	1
039	27.112/230	SCHEDA METALDETECTOR	PC BOARD METAL	1
049	24.001	CAVO	POWER CORD	1
050	22.007	CONDENSATORE 4mF	CAPACITOR 4mF	2
092	24.207	POMPA	PUMP	1
097	07.090	MOTORIDUTTORE	GEAR MOTOR	2

SPARE PART LIST**MODEL:** KOBRA 310TS **ARTICLE NUMBER:** 58.917E/S 220V-60Hz **SUPPLY (BZ/ARABIA/PH)**
HS-6 E/S**REF. DRAW:** 02-05

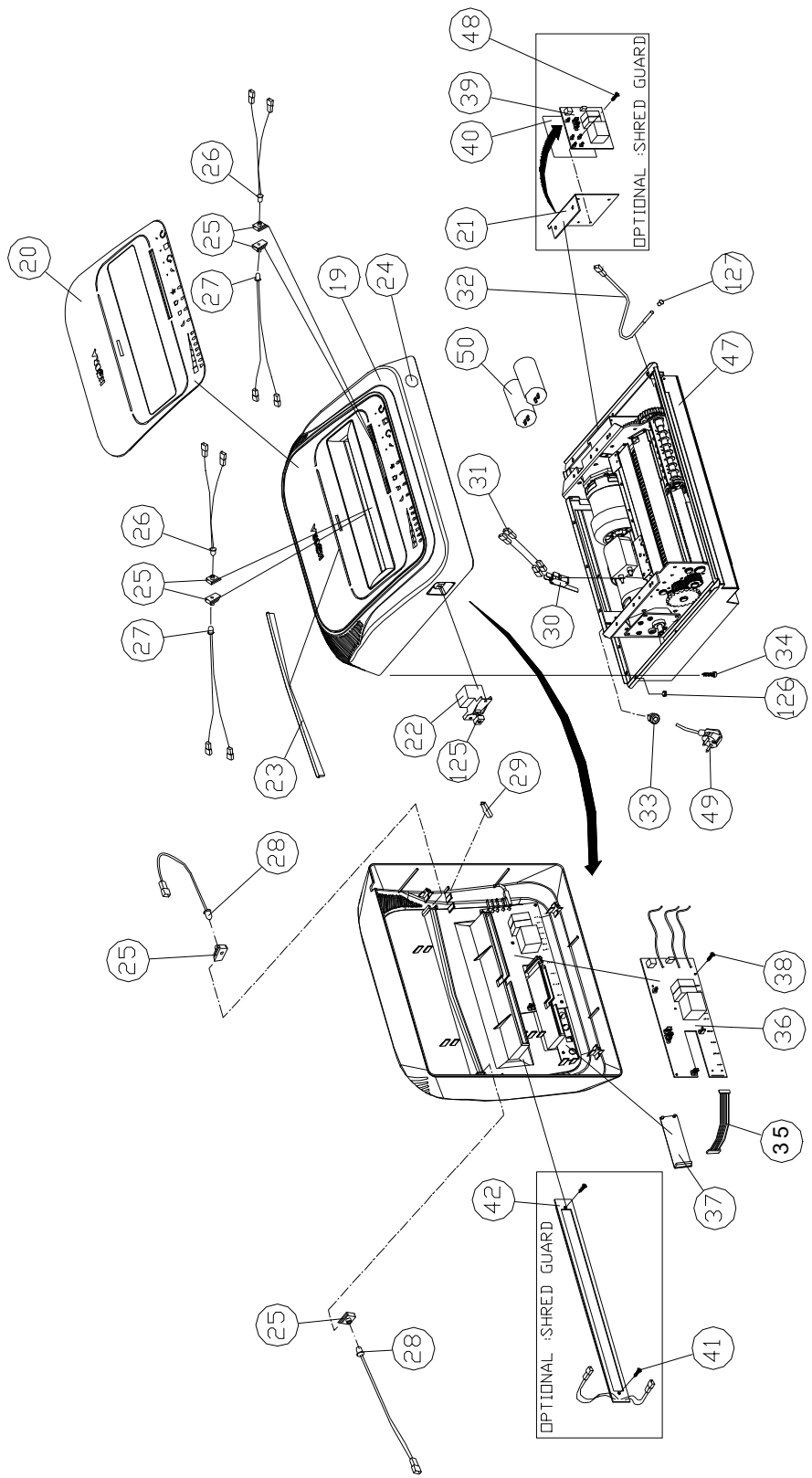
POS. ITEM	CODICE PART NUMBER	DESCRIZIONE	DESIGNATION	QUANTITA' QUANTITY
036	27.117/230	SCHEDA ELETTRONICA	PC BOARD	1
039	27.112/230	SCHEDA METALDETECTOR	PC BOARD METAL	1
049	24.006	CAVO	POWER CORD	1
050	22.003	CONDENSATORE 8mF	CAPACITOR 8Mf	2
092	24.207	POMPA	PUMP	1
097	07.090	MOTORIDUTTORE	GEAR MOTOR	2

SPARE PART LIST**MODEL:** KOBRA 310TS **ARTICLE NUMBER:** 58.817E/S 240V-50Hz **SUPPLY (AUSTRALIA)**
HS-6 E/S**REF. DRAW:** 02-05

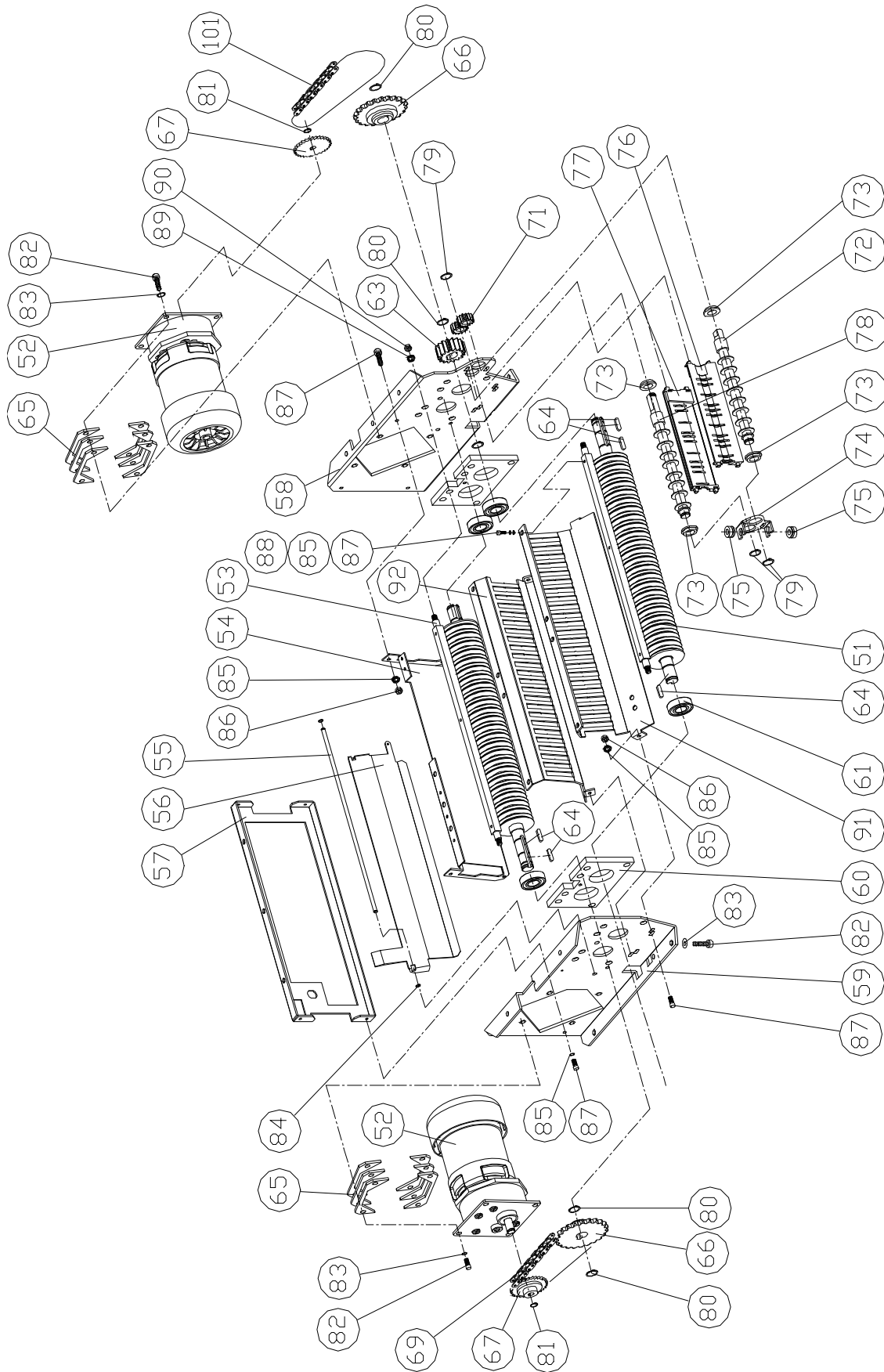
POS. ITEM	CODICE PART NUMBER	DESCRIZIONE	DESIGNATION	QUANTITA' QUANTITY
036	27.117/230	SCHEDA ELETTRONICA	PC BOARD	1
039	27.112/230	SCHEDA METALDETECTOR	PC BOARD METAL	1
049	24.009	CAVO	POWER CORD	1
050	22.007	CONDENSATORE 4Mf	CAPACITOR 4mF	2
092	24.207	POMPA	PUMP	1
097	07.090	MOTORIDUTTORE	GEAR MOTOR	2



DISEGNO 1 /DRAWING 1

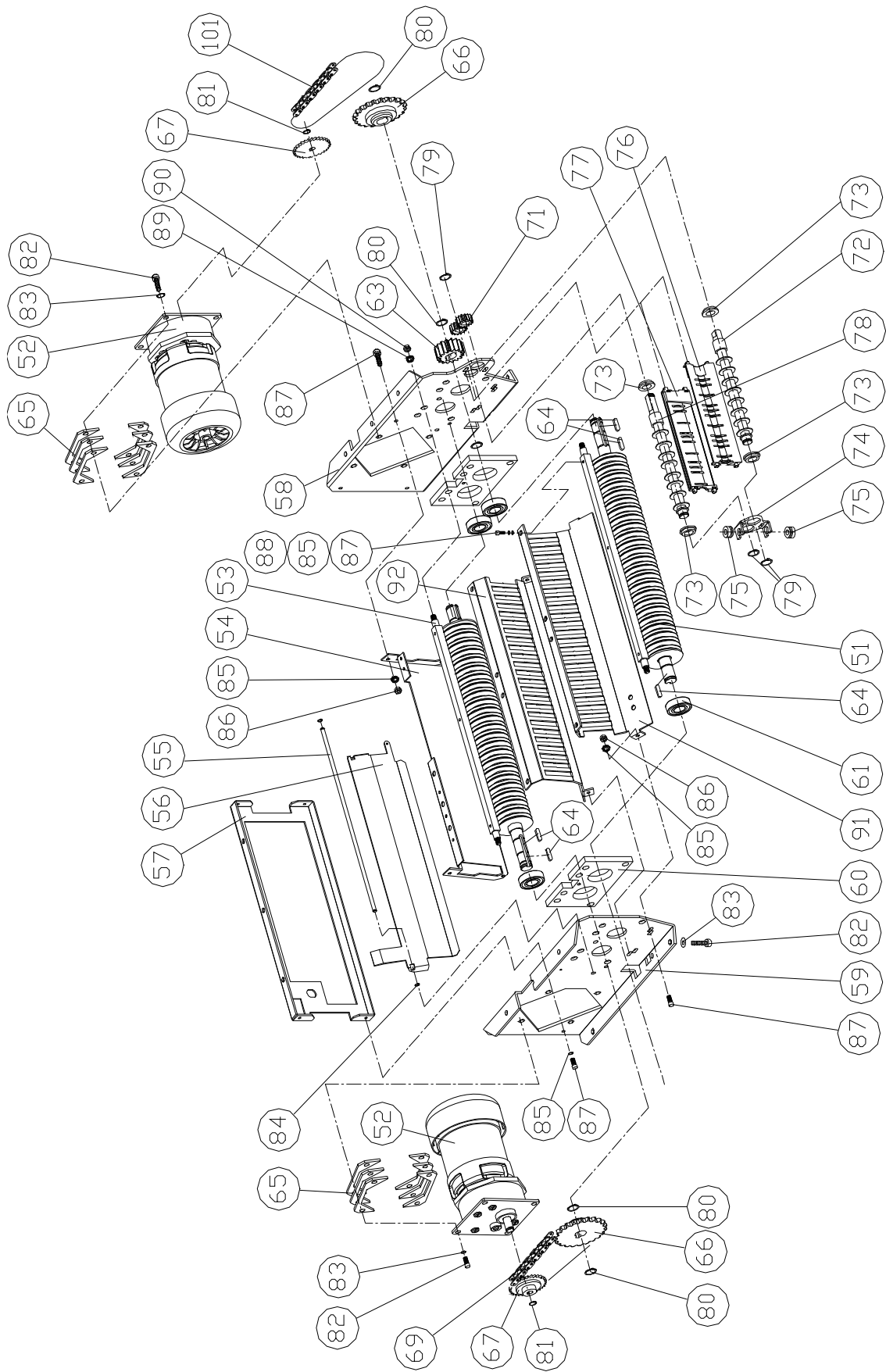


DISEGNO 2 /DRAWING 2



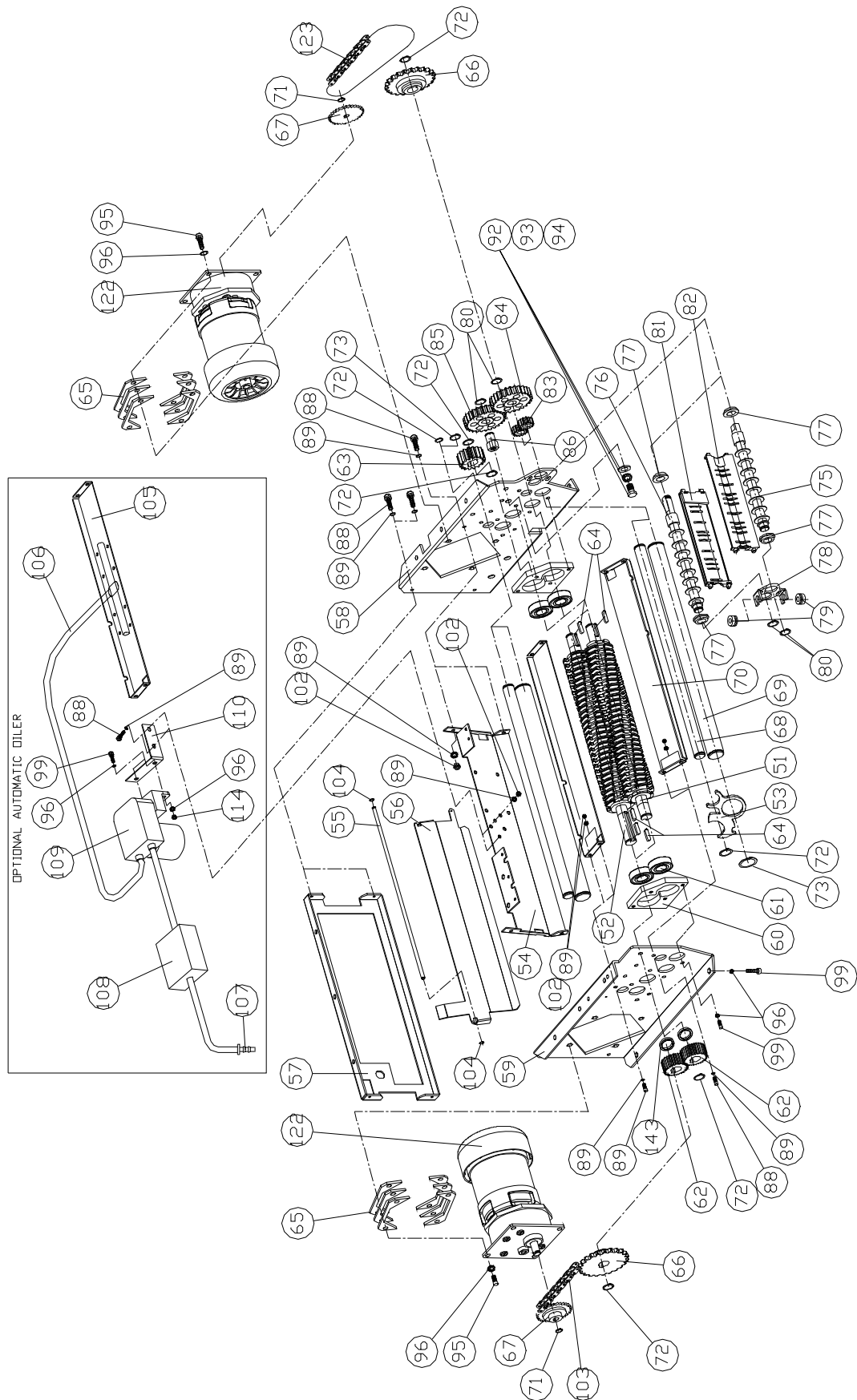
DISEGNO 3 /DRAWING 3

K310TS SS4



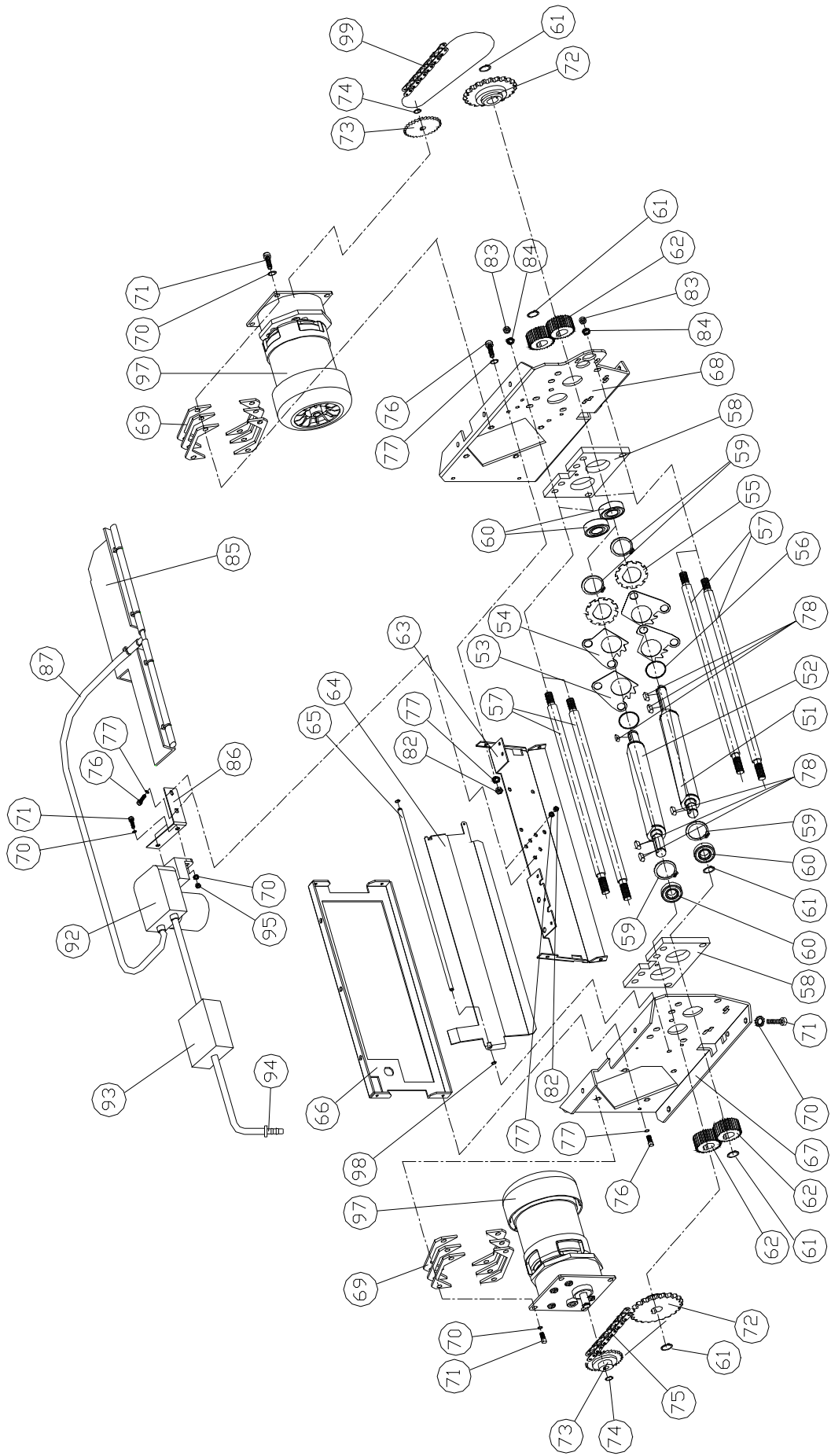
DISEGNO 3A /DRAWING 3A

K310TS SS5



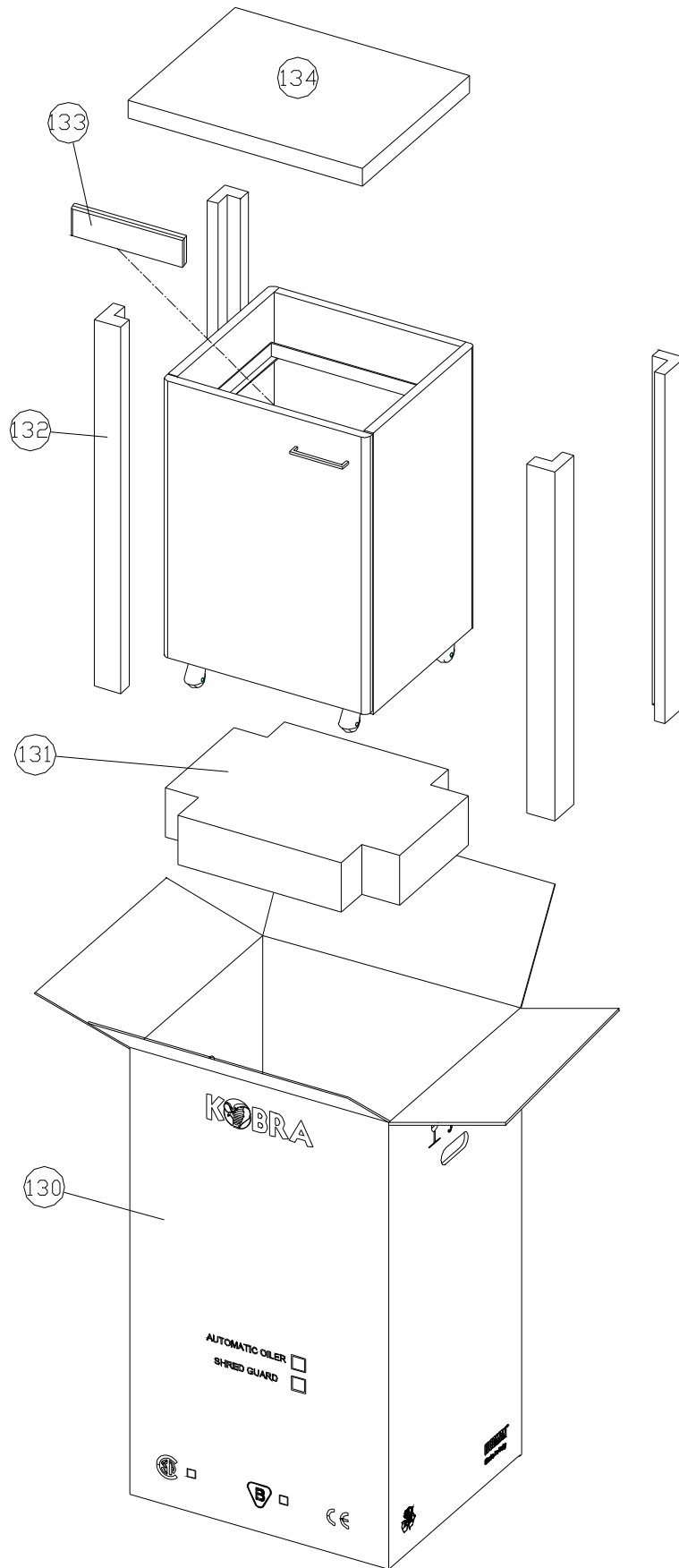
DISEGNO 4 /DRAWING 4

K310TS CC2_CC4

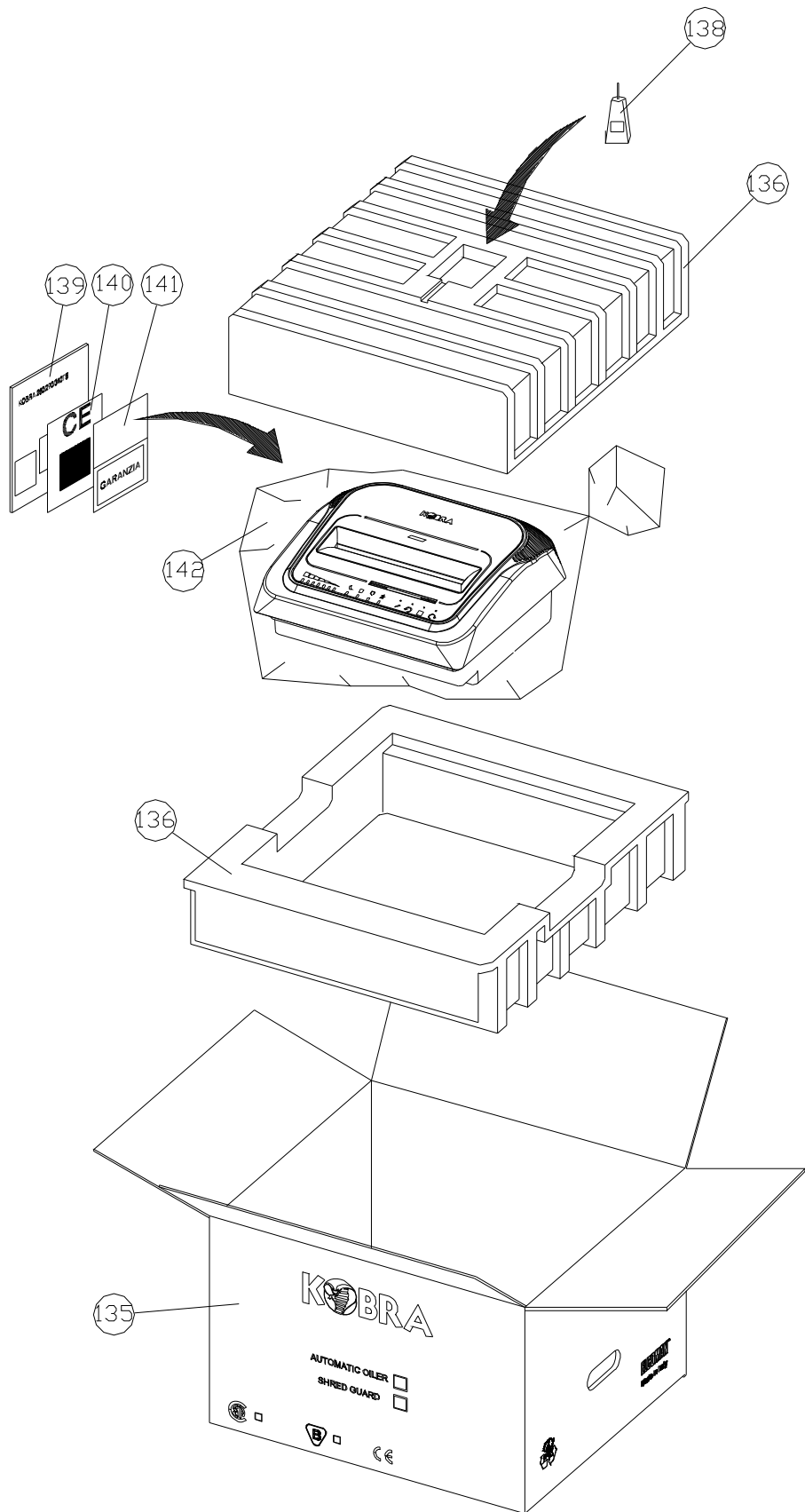


DISEGNO 5 /DRAWING 5

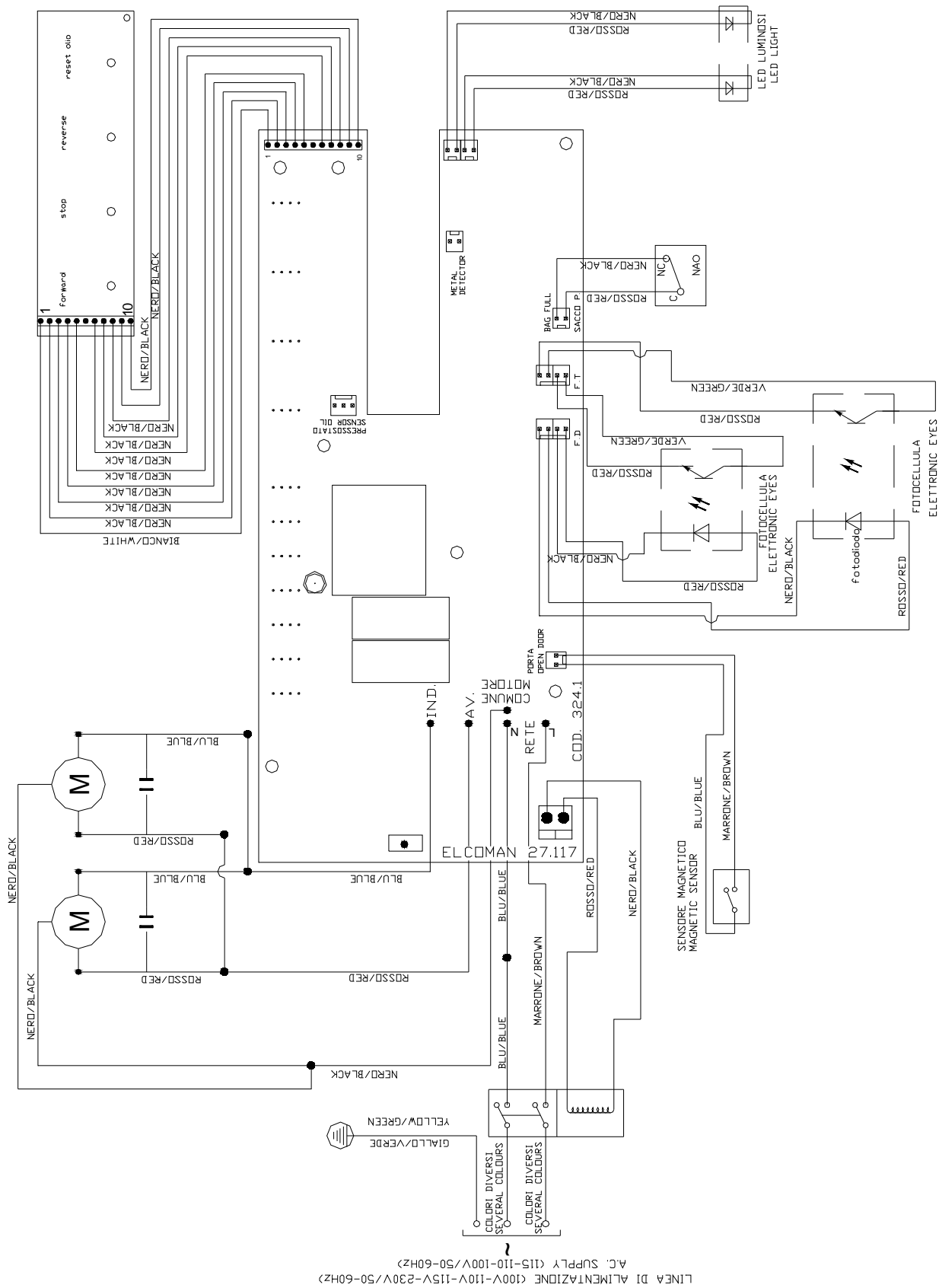
K310TS HS _ HS-6



DISEGNO 6 /DRAWING 6

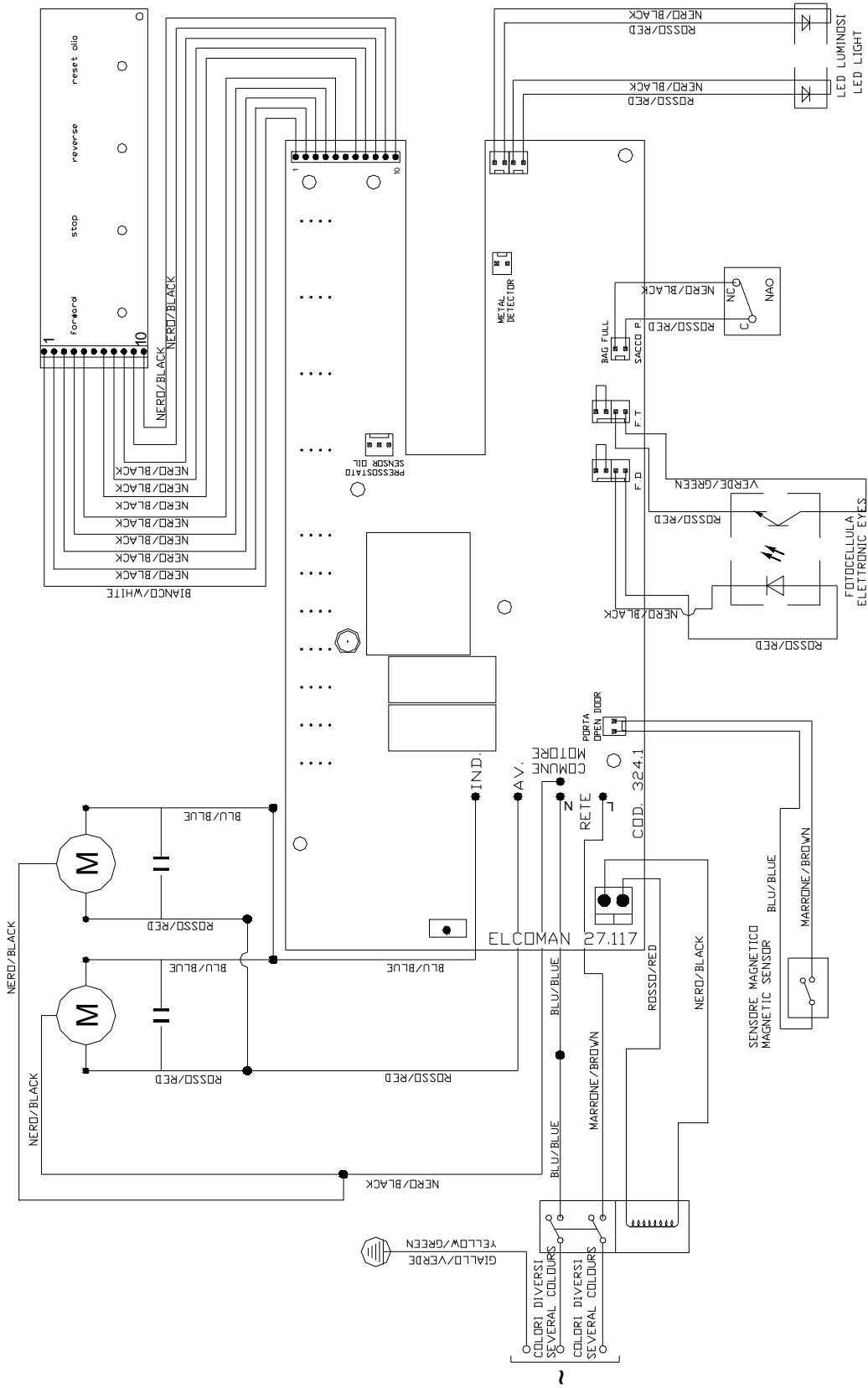


DISEGNO 7 /DRAWING 7



DISEGNO 8 /DRAWING 8

K310TS SS4-SS5-CC2-CC4



DISEGNO 9 /DRAWING 9

K310TS HS _HS/6

