

CR-50B Cornerounder®

USER'S MANUAL



Before operating this equipment, please read these instructions completely and keep these operating instructions for future reference.

Date of Purchase: _____

Dealer: _____

Address: _____

Telephone Number: _____

Lassco Wizer

485 Hague Street, Rochester, NY 14606 U.S.A.

Tel: 585-436-1934

Fax: 585-464-8665

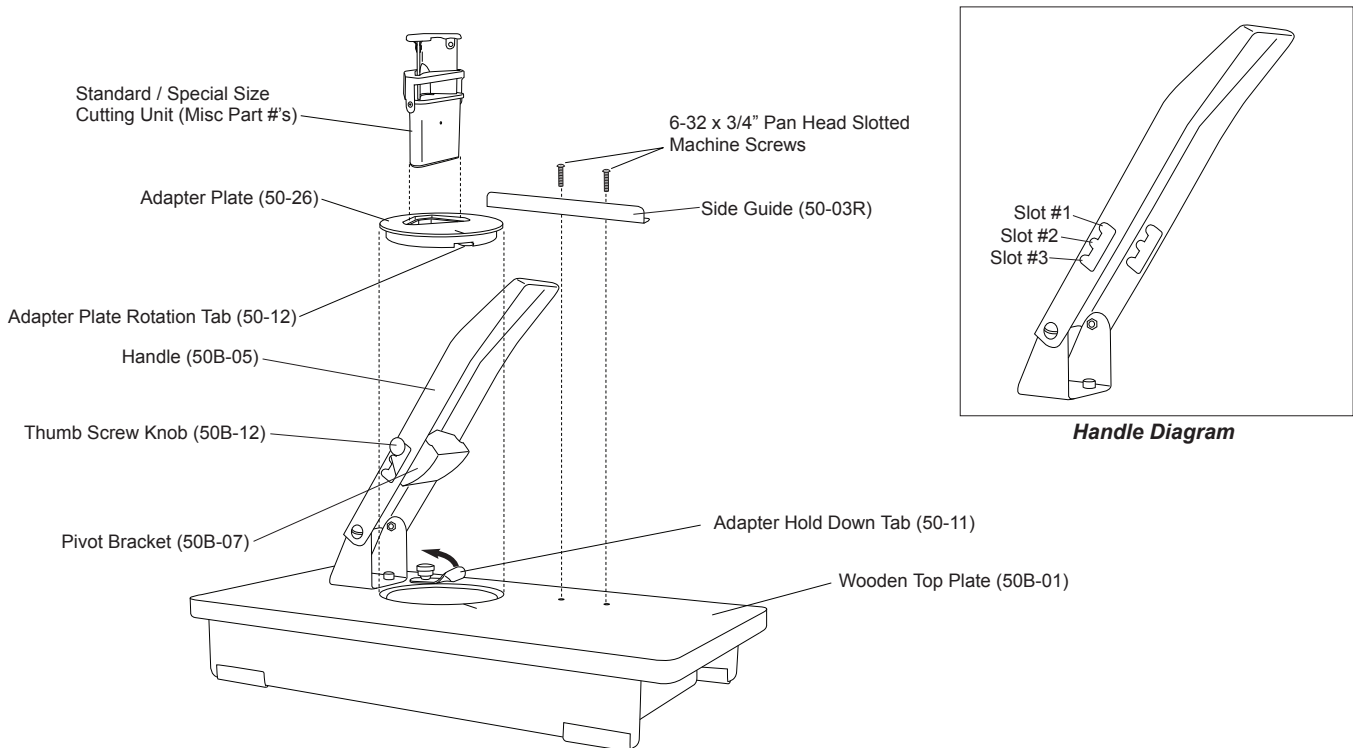
www.lasscowizer.com

info@lasscowizer.com

Operating Instructions

Cutting Unit Installation (Special & Standard Sizes)

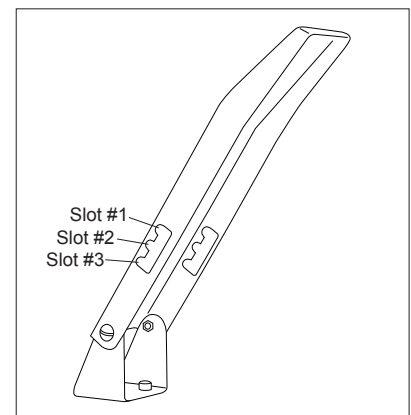
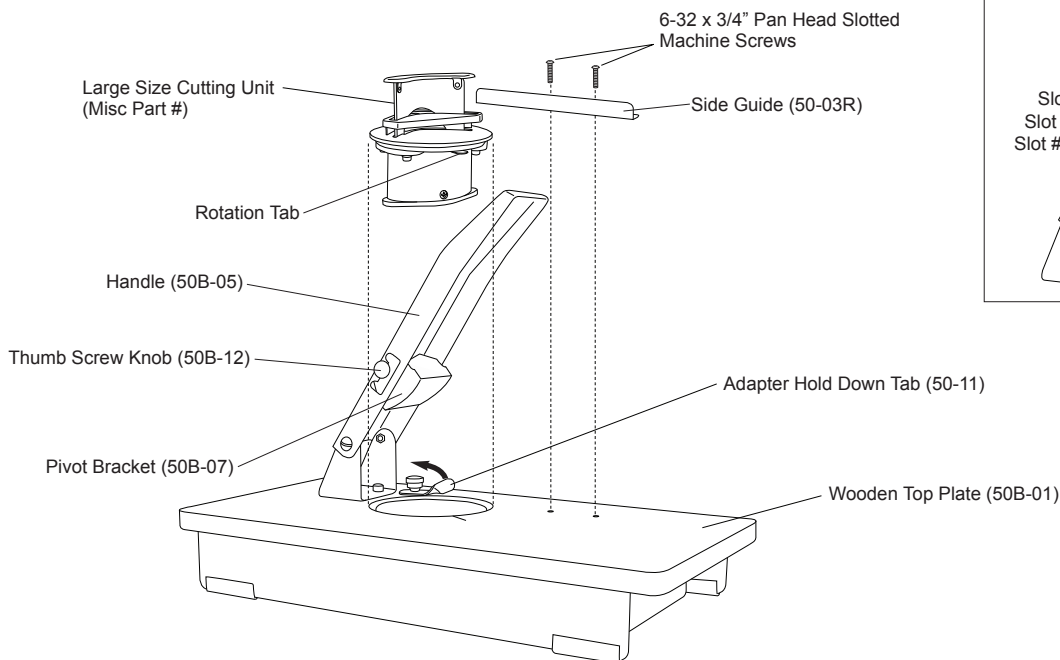
1. Push down and pull back on the two Thumb Screw Knobs (50B-12) on both sides of the Handle (50B-05) until the Pivot Bracket (50B-07) is engaged in the last Slot #3 of the Handle.
2. Raise the Handle to the maximum position.
3. Insert the Adapter Plate (50-26) into the Wooden Top Plate (50B-01) making sure to line up the red guides. Make sure that the Adapter Plate Rotation Tab (50-12) slips under the Wooden Top Plate into its designated groove to prevent unwanted rotation of the Adapter Plate. Turn the Adapter Hold Down Tab (50-11) so that it locks the Adapter Plate into place.
4. Insert the Cutting Unit into the Adapter Plate by tilting it approximately 45° forward and seating it by pushing back and down until it is secure in place.
5. Push down and pull back on the two Thumb Screw Knobs and move the Pivot Bracket into Slot #1 of the Handle as shown below.
6. Depress the Handle up and down a few times to check the action of the Cutting Unit. Make sure the Pivot Bracket is correctly coming down onto the Cutting Unit.
7. Align the Side Guide (50-03R) using a straight edge pushed into the corner of the Cutting Unit. When it is positioned as desired, tighten down the Side Guide using the two 6-32 x 3/4" Pan Head Slotted Machine Screws.



Note: When using a Standard or Special Size Cutting Unit it is important that the Pivot Bracket is located in the Handle Slot #3 during operation. If the Pivot Bracket is located in either of the other two Slots, you can damage the Cutting Unit.

Cutting Unit Installation (Large Sizes)

1. Push down and pull back on the two Thumb Screw Knobs (50B-12) on both sides of the Handle (50B-05) until the Pivot Bracket (50B-07) is engaged in Slot #2 of the Handle.
2. Raise the Handle to the maximum position.
3. Make sure the Adapter Plate has been removed.
4. Insert the Large Size Cutting Unit into the Wooden Top Plate (50B-01) by tilting it approximately 45° forward and seating it by pushing back and down until it is secure in place. Make sure the Rotation Tab on the Cutting Unit slips under the Wooden Top Plate into its designated groove to prevent unwanted rotation of the Cutting Unit. Turn the Adapter Hold Down Tab (50-11) so that it locks the Cutting Unit into place.
5. Depress the Handle up and down a few times to check the action of the Cutting Unit. Make sure the Pivot Bracket is correctly coming down onto the Cutting Unit.
6. Align the Side Guide (50-03R) using a straight edge pushed into the corner of the Cutting Unit. When it is positioned as desired, tighten down the Side Guide using the two 6-32 x 3/4" Pan Head Slotted Machine Screws.



Handle Diagram

Note #1: When using Large Size Cutting Units sizes 3/4" and 1", it is important that the Pivot Bracket is located in the Handle Slot #2 during operation. If the Pivot Bracket is located in either of the other two Slots, you can damage the Cutting Unit.

Note #2: When using Large Size Cutting Unit size 1-1/2", it is important that the Pivot Bracket is located in the Handle Slot #3 during operation. If the Pivot Bracket is located in either of the other two Slots, you can damage the Cutting Unit.

Corner Rounding Operation

- Place the product you are cutting onto the Wooden Top Plate and push it into the corner aligning it with the Side guide the the back edge of the Cutting Unit.
- Press down firmly to prevent the product from sliding out of the corner.
- Depress the Handle with an even consistent pressure until the knives cut through the product.

Note: It may be necessary to adjust the Side Guide to compensate for variation in the cutting unit geometry, especially when changing from a Standar / Specail Size Cutting Unit to a Large Size Cutting Unit.

Cutting Unit Capacities

- Standard / Special Size Cutting Units:
These size Cutting Units were designed to handle up to a 1/2" stack of paper. They will also cut many other materials such as plastics, cardboard, celluloid, leather, wood, and even light soft metals. With heavier materials, however, best results may be obtained if only one or a few pieces are cut at a time.
- Large Size Cutting Units:
These size Cutting Units were designed to handle up to a 1/8" stack of paper. They will also cut many other materials such as plastics, cardboard, celluloid, leather, and wood. With heavier materials, however, best results may be obtained if only one or a few pieces are cut at a time.

Chip Removal

- Pull out on the Chip Tray Handle located on the back of the machine and empty the contents of the Chip Tray. Replace the Chip Tray by inserting the flanges into the retainer strips located on the underside of the Wooden Top Plate.

Note: Do not allow chips to build up under the Cutting Unit. Occasionally tilt the back of the machine up to allow the paper chips to flow to the extreme end of the chip box. Empty the Chip Tray as needed.

Parts Diagram

