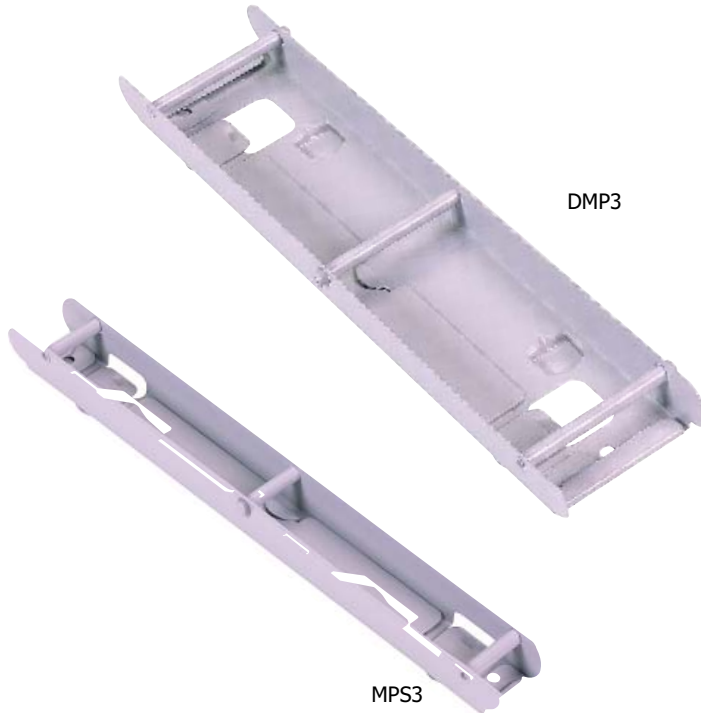


Catalog Rack Post Sections



DMP3

Weight	.5 lbs.
UPC Code	0-15086-10720-8
Retail Price	

MPS3

Weight	.3 lbs.
UPC Code	0-15086-10700-0
Retail Price	

- Designed to securely hold catalogs and other reference materials for placement in catalog racks
- For use with punched magazines, catalogs and other reference material
- Slides easily into any Master[®] rack with a unique tongue and groove system
- Heavy-gauge steel construction
- Available in grey only