

Large Document Shredder

The Standard Version: Data shredder with integrated, mobile container for the shredded material.



MODEL 16.50S

Actual Shred Sizes



1/2" x 2"



1/4" X 2"



1/4" X 9/16"

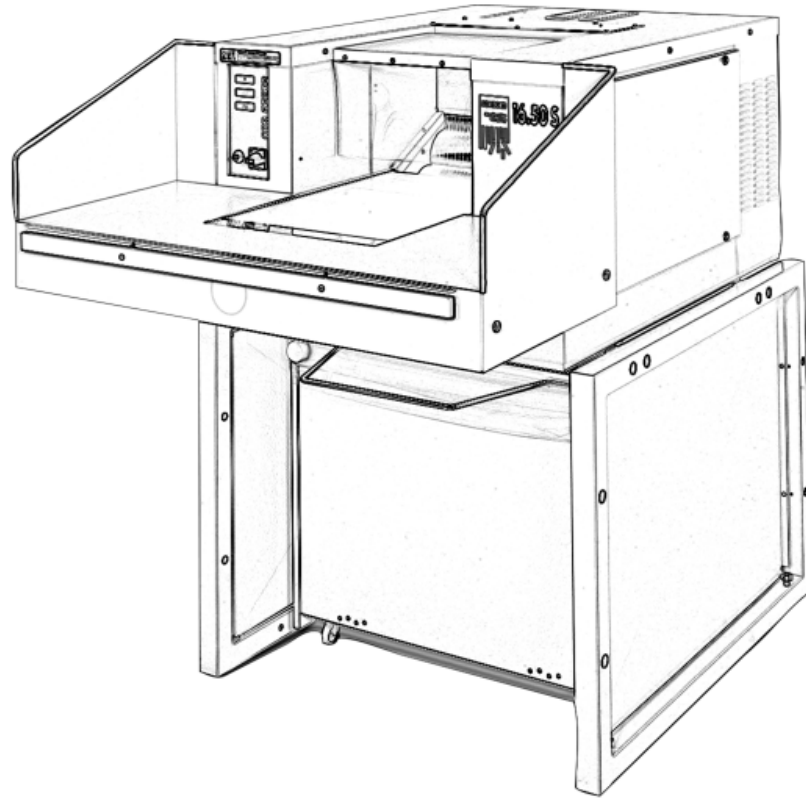
varies to



1/4" X 2"

Wherever there is a need for shredding large quantities of expired/sensitive data, in strict compliance with data security practices, then it is more economical to do this at one "central" location. The extensive Intimus selection of large shredders perfectly combines the performance and security requirements, guaranteeing an investment with an excellent price/performance equation.

MODEL 16.50S



Specifications

	11.8C	7.8CC	6x15x50
Capacity (sheets)	300-400	275-375	275-375
Shred Size	1/2" x 2"	1/4" x 2"	1/4" x 9/16" x 2"
Practical Capacity (lb/hr.)	1800	1500	1500
Speed (fpm)	50	50	50
Input Width	20"	20"	20"
Power (kw/hp)	7.5/10	7.5/10	7.5/10
Voltage	208/220v,3ph	208/220v,3ph	208/220v,3ph
Dimensions	47 ¹ / ₄ x 76 ³ / ₄ x 61	47 ¹ / ₄ x 76 ³ / ₄ x 61	47 ¹ / ₄ x 76 ³ / ₄ x 61
Weight (lbs.)	1600	1600	1600

*Based on a range of office papers (variable depending on paper quality, size, weight or grain & sufficient power supply). All measurements are nominal conversions of metric measurements. Subject to engineering changes and color variances.

**Specifications & pricing subject to change without notice