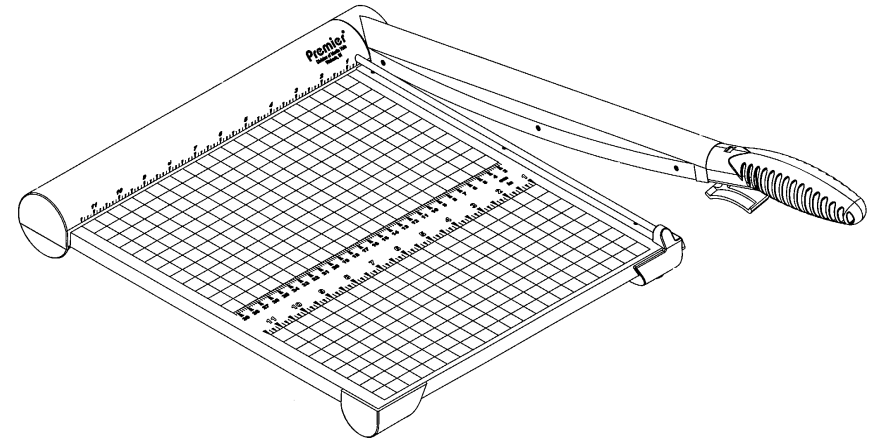
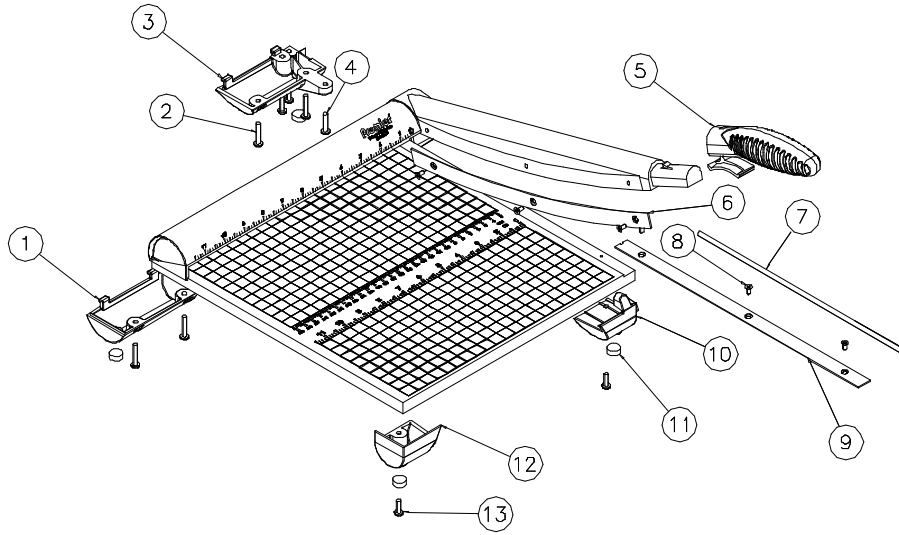


# Premier® SharpCut Paper Trimmers



T12 PARTS LIST

Part Number	Description	Qty.	Part Number	Description	Qty.		
1	M-O017903	LEFT REAR BASE T12/15	1	8	M-S004019	POLY BLADE SCREW	8
2	M-S004078	8 X 7/8 PH PAN HD LR	6	9	W-O017812	12" BED BLADE	1
3	M-O017956	RIGHT REAR BASE T12/15	1	10	M-O017902	T12/15 RIGHT FOOT	1
4	M-S004065	#8X5/8 PH PAN HD B/O	1	11	M-S030010	T BUMPER (FOOT)	4
5	M-O017801	POLY ARM HAND GRIP	1	12	M-O017901	T12/15 LEFT FOOT	1
6	W-O017811	12" CURVED BLADE	1	13	M-S004052	#8 X 1/2 P/PH	2
7	W-O017814	FINGER GUARD, T12	1				

T15 PARTS LIST

Part Number	Description	Qty.	Part Number	Description	Qty.		
1	M-O017903	LEFT REAR BASE T12/15	1	8	M-S004019	POLY BLADE SCREW	8
2	M-S004078	8 X 7/8 PH PAN HD LR	6	9	W-O017822	15" BED BLADE	1
3	M-O017956	RIGHT REAR BASE T12/15	1	10	M-O017902	T12/15 RIGHT FOOT	1
4	M-S004065	#8X5/8 PH PAN HD B/O	1	11	M-S030010	T BUMPER (FOOT)	4
5	M-O017801	POLY ARM HAND GRIP	1	12	M-O017901	T12/15 LEFT FOOT	1
6	W-O017821	15" CURVED BLADE	1	13	M-S004052	#8 X 1/2 P/PH	2
7	W-O017824	FINGER GUARD, T15	1				

## Key Features and Benefits

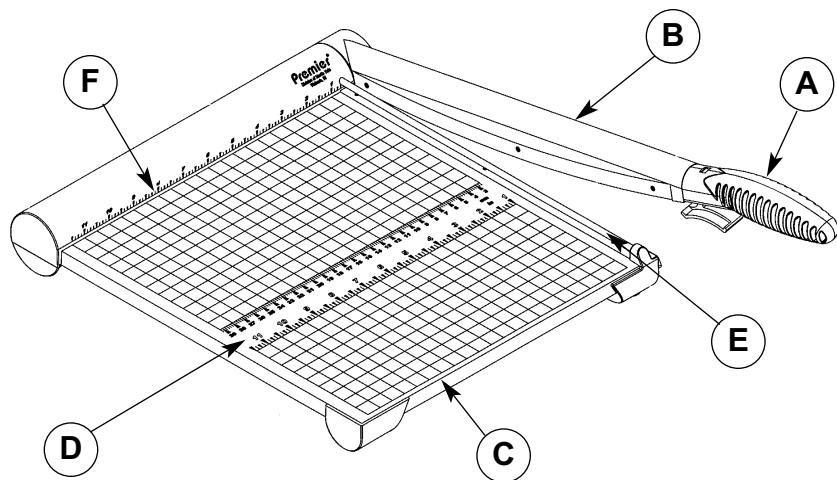
- Heavy-duty 1/2" thick wood base
- Self-sharpening through-hardened high carbon steel blades cut up to 15 sheets
- Permanent 1/2" grid and dual rulers for proper paper alignment
- Patented automatic blade latch locks with every cutting motion
- Finger guard helps protect the entire blade length
- Torsion spring counterbalances blade arm
- Non-skid feet

## Model Numbers

T12 – 12" cutting length

T15 – 15" cutting length

MADE IN USA

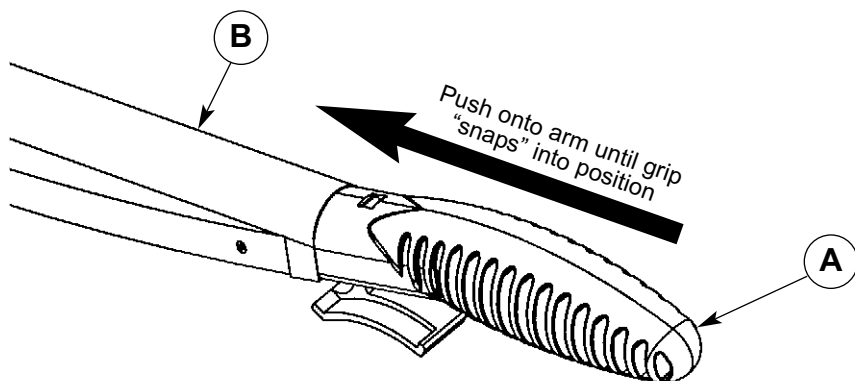


### Key Components

- A – Hand Grip
- B – Blade Arm
- C – Wood Base with Molded End Caps
- D – Alignment Ruler
- E – Finger Guard
- F – Paper Guide Ruler

### Assembly Instructions

1. Hold the top of the blade arm (B) with one hand, being careful not to touch the blade, and the hand grip (A) with the other hand.
2. Slide the hand grip (A) onto the blade arm (B). The tab on the blade arm (B) should snap firmly into the notch on the hand grip (A).
3. Place the rubber feet into position on the bottom of the trimmer.



### Operating Instructions

1. Place the trimmer on a flat, stable surface
2. Release the blade latch, which is located on the hand grip (A)
3. Lift the blade arm (B) up into cutting position
4. Using the rulers or the 1/2" grid, align the paper to the proper position, pushing it up against the paper guide ruler (F).

#### **CAUTION:**

**Keep hands and fingers behind the finger guard (E) at all times, away from the cutting blades**

5. While holding the paper down with your left hand (to make sure it stays in place), pull down the blade arm (B) to cut.
6. Always make sure that the blade arm is completely down and locked when not in use.

### Safety Information

- Always ensure that the blade arm is fully pushed down, and that the blade latch is engaged, when not in use
- Never operate the trimmer without the finger guard in place
- Always keep clothing, jewelry, watches, and hair away from the cutting blade
- Keep out of the reach of children
- Do not carry the trimmer by the hand grip or the blade arm

### For Best Cutting Performance

Use Trim-Ease Blade Lubricant for a smoother cut and to help preserve the life of the cutting blade. To order, please contact customer service at the number below and ask for Trim-Ease Blade Lubricant, part number MRS037046.

### Customer Service

**Telephone:** (260) 563-0641  
**Fax:** (260) 563-4575  
**Email:** info@martinyale.com  
**Internet:** www.martinyale.com  
**Address:** Martin Yale Industries, Inc.  
 251 Wedcor Avenue  
 Wabash, IN 46992

Visit [www.martinyale.com](http://www.martinyale.com) for information on office products, including paper folding machines, punches, letter openers, catalog racks, and computer keyboard drawers.