

959AF PARTS LIST

<u>ITEM#</u>	<u>PART NO.</u>	<u>QTY.</u>	<u>DESCRIPTION</u>
1	M-S013044	1	¼ X 7/16 X 1 Bushing
2	M-S007018	1	¼-20 DC Thumb Nut
3	M-S037304	1	Turnbuckle #8-32
4	W-A095255	1	Vacuum Roller Assembly
4A	M-O095230	2	Rubber Ring, Vacuum Roller
4B	M-S043053	1	¼ NPT X ½ Hose Fitting
4C	M-S031073	1	Compression Spring
4D	W-O095255	1	Feed Shaft
4E	M-O095216	1	Vacuum Roller
4F	M-O095220	1	Air Timing Block
4G	M-S020009	2	Clutch Bearing
*4H	M-S008084	1	.046 Steel Washer
*4I	M-S010010	2	5100-62 Ext Retaining Ring
4J	M-S013045	2	.628 X 1 X 1/8 Bushing
4K	M-O095038	2	Shaft Collar
4L	M-S013050	2	5/8 X ¾ X 3/16 Bushing
5	W-A095307	1	Feed Table Assembly
5A	M-O095015	1	Paper Guide Shaft
5B	W-O095212	1	R. H. Paper Guide
5C	W-O095213	1	L. H. Paper Guide
5D	W-O095214	1	L. H. Rod Clamp
5E	W-O095215	2	Grip Plate
5F	W-O095238	1	R. H. Rod Clamp
5G	W-O095307	1	Feed Table
5H	M-S043031	2	3/8 X ½ X 90 Hose Fitting
6	M-S043036	66"	½ ID Vinyl Hose (RH Paper Guide)
6A	M-S043036	47"	½ ID Vinyl Hose (LH Paper Guide)
*6B	M-S043036	27"	½ ID Vinyl Hose (Vacuum Block Hose)
7	W-A095223	1	Retarder Block Assembly
8	M-S032036	1	¼-20 X 5/8 Thumb Knob
9	M-S008008	1	¼ X ½ X 1/16 Flat Washer
10	W-A095224	1	Sheet Detector Assembly
11	M-O095222	1	Nose Pipe
*11A	M-S002015	1	¼-20 X ¼ Set Screw
12	W-A095233	2	Guide Finger Assembly
12A	W-O095233	2	Guide Finger
12B	M-O095221	2	Guide Finger Collar
*12C	M-S002055	2	10-32 X 3/16 Brass Tip Set Sc.
*12D	M-S003082	2	10-32 X 3/16 SHC Screw
13	M-S033015	1	110VAC Rocker Switch
13A	M-S033053	1	220VAC Rocker Switch

959AF PARTS LIST

<u>ITEM#</u>	<u>PART NO.</u>	<u>QTY.</u>	<u>DESCRIPTION</u>
14	W-A095310	1	Air Vacuum Manifold Assembly
14A	W-O095309	3	Control Valve
*14B	M-S037352	1	1/8 X 2 NPT Nipple
*14C	M-S037053	1	1/8 NPT X 90 Elbow
*14D	M-S043050	1	¼ NPT X ½ X 90 Degree Fitt.
*14E	M-S043031	1	3/8 NPT X ½ 90 Fitting
*14F	M-S043034	2	3/8 X 90 Hose Fitting
*14G	M-S043049	2	3/8 NPT X ½ Straight Fitting
*14H	M-S043032	1	¼ Straight Hose Fitting
14I	M-S018002	3	1/8 X ¾ Roll Pin
*14J	M-S010010	6	5100-62 Ext. Retaining Ring
*14K	M-S023011	6	O- Ring, .093 X .437 ID
15	M-S015281	1	Air/Vacuum Control Label
*16	M-S043035	4"	5/8" ID Air Pump Hose
*16A	M-S043035	7"	5/8" ID Vacuum Pump Hose
17	M-S037347	1	Vacuum Gauge
18	M-S63751547	3	Control Knob
19	W-O095288	1	Front Panel
19A	W-O095325	2	Front Cover Bracket
20	W-O095298	1	Pump Vent Guard
21	M-O095219	2	Air/Vacuum Pump
21A	MRS045140	2	Pump Start Capacitor
21B	M-S037219	2	Filter Element
*21C	M-S037052	2	3/8 X 90 Street Elbow
21D	M-S043051	2	3/8 NPT X 5/8 Hose Fitting
22	M-S021048	1	100VDC Roller Drive Motor(s/n 4000&up
23	W-O095294	1	Side Cover Mount Bracket(LH)
24	W-O095303	1	Side Cover Mount Bracket(RH)
25	W-O095295	1	Rear Cover Mount Bracket(LH)
26	W-O095302	1	Rear Cover Mount Bracket(RH)
27	W-A095300	1	R.H. Side Frame
28	W-O095304	1	L.H. Main Frame
29	M-O095904	1	R.H. Side Cover
30	M-O095905	1	L.H. Side Cover
31	M-S015267	2	Side Cover Label
32	W-O095289	1	Rear Panel
33	WRA095501	1	Speed Control
33A	M-S032057	1	Speed Control Knob
33B	M-S015024	1	Speed Control Plate
34	M-S032047	1	Hand Knob
35	M-S022021	2	60/15T Timing Pulley
36	M-S025010	2	210 XLO37 Timing Belt
37	M-S022017	1	12T Motor Pulley
*37A	M-S002004	1	8-32 X 3/16 Set Screw

959AF PARTS LIST

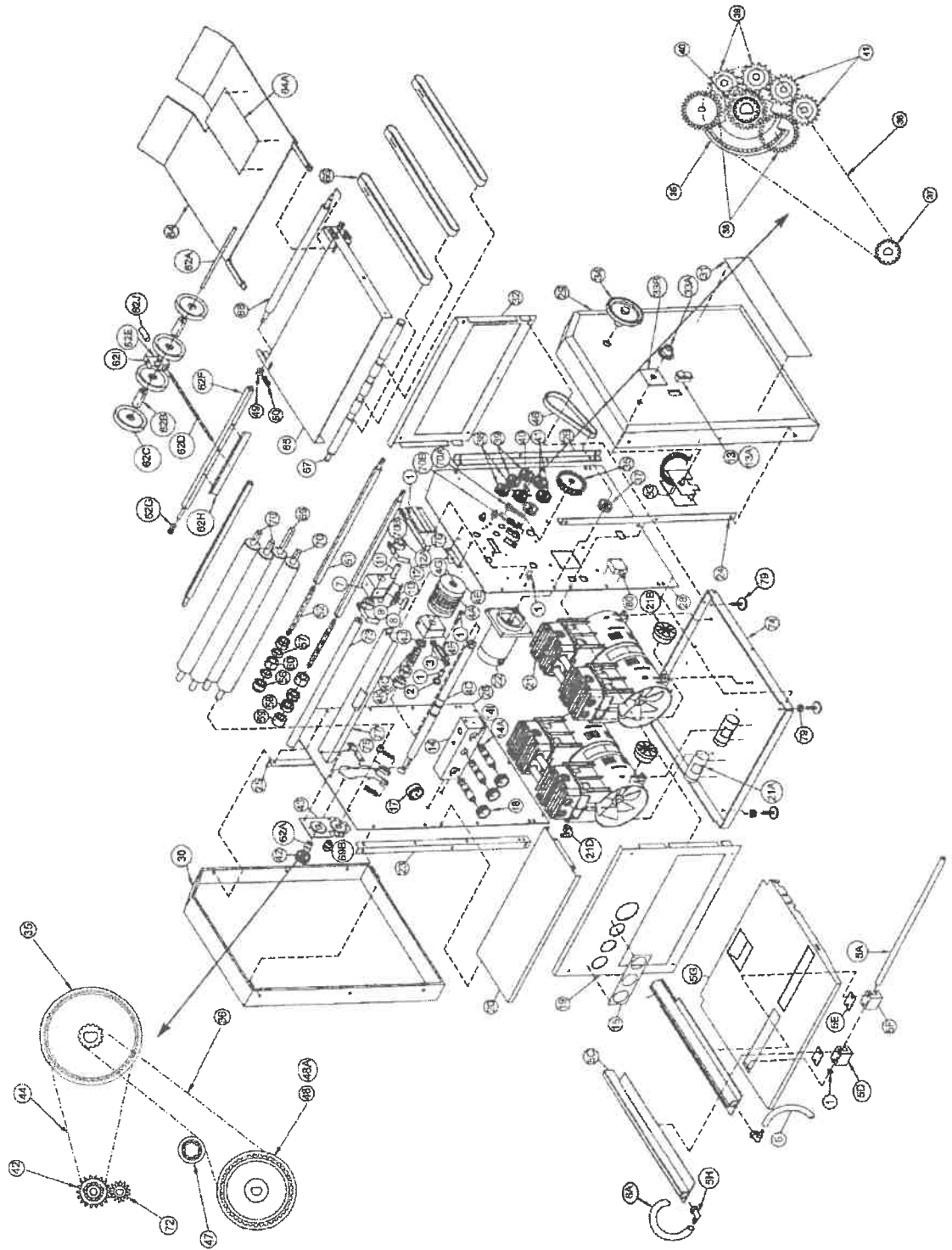
<u>ITEM#</u>	<u>PART NO.</u>	<u>QTY.</u>	<u>DESCRIPTION</u>
38	M-O003033	2	24T X 3/8 ID Nylon Gear
39	M-O003036	2	18T X 1/4 ID Nylon Gear
40	M-O03034A	1	24T X 1/2 ID Nylon Gear
41	M-O003035	2	18T X 3/8 ID Nylon Gear
42	W-O095136	1	Dual Gear
43	W-O095275	1	Bearing Plate
44	M-S025008	1	144 XLO37 Timing Belt
45	M-S003048	1	10-32 X 1 1/2 SHC Screw
46	M-O095204	1	Bushing Retainer
47	M-S013053	1	1/2 X 5/8 X 1 Bushing
48	M-S022019	1	44T Timing Pulley w/ Flange
*48A	M-S022022	1	Pulley Flange
49	W-S014005	2	Nylon Bearing
50	M-S031035	4	Compression Spring
51	M-A003018	2	Accessory Shaft
51A	M-S013010	2	Accessory Shaft Bushing
52	W-O003019	2	Accessory Journal
*53	M-S014021	2	Nyliner Bushing
*54	W-S013008	2	Bushing, Accessory Shaft
*55	M-O003079	2	Guide Roller Arbor
56	M-O003080	2	Rubber Guide Roller
57	M-O003083	2	Scoring Roller
58	M-O003082	2	Lower Back Up Hub
59	M-O003076	2	Guide Roller Back Up Hub
60	W-A03085B	1	7 Tooth Perforator
*60A	WRA03085C	1	3 Tooth Perforator (optional)
*60B	WRA03085D	1	14 Tooth Perforator (optional)
*60C	WRA03085A	1	Slitter (optional)
*60D	M-O003132	1	Perforator Stripper
*61	W-O095276	2	Tie Rod
62	WRA095103	1	Stacking Wheel Assembly
62A	M-O008011	1	Stacking Wheel Axle
62B	W-O095268	2	Stacking Wheel Weight
62C	M-S034001	4	Stacking Wheel
62D	W-O003093	1	Stacking Wheel Shaft
62E	W-O003090	1	Axle Housing
62F	W-O008017	1	Square Shaft
62G	M-S031050	1	Compression Spring
62H	W-O008012	1	Paper Deflector
62I	W-O008013	1	Stacking Finger Spring
62J	M-S043046	1	Vinyl Tip
63	M-S031060	1	Stack Wheel Support Spring
64	W-A095064	1	Stacking Tray
64A	M-S015282	1	Folding Chart

959AF PARTS LIST

<u>ITEM#</u>	<u>PART NO.</u>	<u>QTY.</u>	<u>DESCRIPTION</u>
65	W-O095035	1	Exit Table
66	M-S024002	4	Conveyor Belt <i>M-S024013</i>
67	W-O095135	1	Conveyor Drive Shaft
68	W-O003064	1	Conveyor Idler Shaft
69	WRA095034	1	Main Drive Roller
69A	M-S013013	1	Main Drive Roller Bushing
69B	M-S013010	1	Main Drive Roller Bushing
70	WRA003015	3	Folding Roller
70A	M-S013009	6	Folding Roller Bushing
70B	M-S031059	4	Folding Roller Spring
71	WRA095101	2	Fold Table Assembly
*71A	W-A095125	2	Lower Fold Plate
*71B	W-O095126	2	Upper Fold Plate
*71C	W-O095012	2	Paper Stop
*71D	M-O095037	4	Nylon Spacer
*71E	M-O095321	4	Paper Stop Clamp
*71F	M-S003004	4	1/4-20 X 1/2 Hex Head Bolt
*71G	M-O095036	4	Clamp Spring
*71H	W-O095032	2	Paper Stop Tie Bar
*71I	M-O095260	4	Adjustment Screw
*71J	M-O095131	4	Adjusting Thumb Knob
*71K	M-S007086	4	3/8-24 Locking Nut/ Set Screw
*71L	M-S008014	4	3/8 X 5/8 X .01 Spring Washer
*71M	M-S032036	4	Paper Stop Lock Knob
*71N	W-O095124	2	Paper Deflector
*71O	M-S015283	4	Fold Table Ruler
*71P	M-S030015	14	Paper Stop Rubber Bumpers
*71Q	M-S001092	12	6-32 X 3/8 Phillips Screw
*71R	M-S007054	12	6-32 Keps Nut
*71S	M-O095322	4	Paper Stop Clamp Stud
72	M-O095903	1	14T, 3/8" ID Nylon Gear
73	M-O003066	1	Tie Rod
74	W-O095305	1	Base
75	W-O095265	1	Roller Guard Bracket (RH)
76	W-O095280	1	Roller Guard Bracket (LH)
77	W-O095279	1	Roller Guard
*78	M-S043037	32"	Clear Vinyl Hose, Nose Pipe
*	M-S043037	24"	Clear Vinyl Hose, Exhaust
79	M-S63751408	4	Glide (Foot)
79A	M-S63251449	4	1/4 X 20 Keps Nut
80	M-S045002	1	Circuit Breaker

• **Not Illustrated**

959AF PARTS LIST

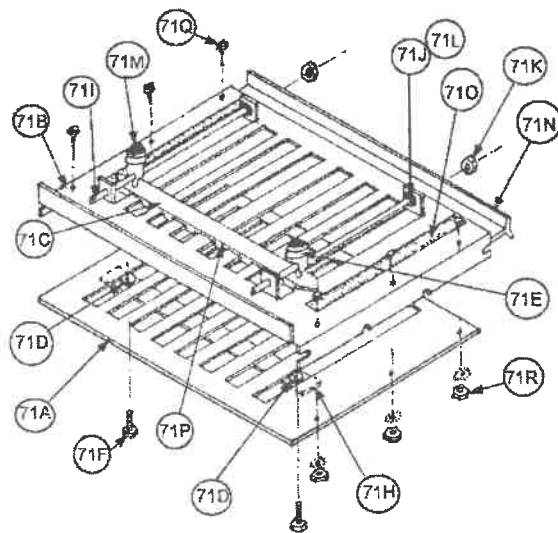


959AF PARTS LIST

PARTS LIST CONT.

Item #	Part No.	Qty.	Description
62B	W-0095268	2	Stacking Wheel Weight
62C	M-S034001	4	Stacking Wheel
62D	W-0003093	1	Stacking Wheel Shaft
62E	W-0003090	1	Axle Housing
62F	W-0008017	1	Square Shaft
62G	M-S031050	1	Compression Spring
62H	W-0008012	1	Paper Deflector
62I	W-0008013	1	Stacking Finger Spring
62J	M-S043046	1	Vinyl Tip
63	M-S031060	1	Stack Wheel Support Spring
64	W-A095064	1	Stacking Tray
64A	M-S015282	1	Folding Chart
65	W-0095035	1	Exit Table
66	M-S024002	4	Conveyor Belt
67	W-0095135	1	Conveyor Drive Shaft
68	W-0003064	1	Conveyor Idler Shaft
69	WRA095034	1	Main Drive Roller
69A	M-S013013	1	Main Drive Roller Bushing
69B	M-S013009	1	Main Drive Roller Bushing
70	WRA003015	3	Folding Roller
70A	M-S013009	6	Folding Roller Bushing
70B	M-S031059	4	Folding Roller Spring
71	WRA095101	2	Fold Table Assembly
71A	W-A095125	2	Lower Fold Plate
71B	W-0095126	2	Upper Fold Plate
71C	W-0095012	2	Paper Stop
71D	M-0095037	4	Nylon Spacer
71E	M-0095321	4	Paper Stop Clamp
71F	M-S003004	4	1/4-20 x 1/2 Hex Hd. Bolt
*71G	M-0095036	4	Clamp Spring
71H	W-0095032	2	Paper Stop Tie Bar
71I	M-0095260	4	Adjustment Screw
71J	M-0095131	4	Adjusting Thumb Knob
71K	M-S007086	4	3/8 - 24 Locking Nut /Set Screw
71L	M-S008014	4	3/8 X 5/8 X .01 Spring
71M	M-S032036	4	Paper Stop Lock Knob
71N	W-0095124	2	Paper Deflector
71O	M-S015283	4	Fold Table Ruler
71P	M-S09500003	14	Paper Stop Rubber Bumpers
71Q	M-S001092	12	6-32 x 3/8 Phil. Screw
71R	M-S007054	12	6-32 Keps Nut
71S	M-0095322	4	Paper Stop Clamp Stud
72	M-0095903	1	14T, 3/8" ID Nylon Gear
73	M-0003066	1	Tie Rod
74	W-0095305	1	Base
75	W-0095265	1	Roller Guard Bracket (RH)
76	W-0095280	1	Roller Guard Bracket (LH)
77	W-0095279	1	Roller Guard
*78	M-S043037	32"	Clear Vinyl Hose, Nose Pipe
*	M-S043037	24"	Clear Vinyl Hose, Exhaust
79	M-S63751408	4	Glide (Foot)
79A	M-S63251449	4	1/4 X 20 Keps Nut
80	M-S045002	1	Circuit Breaker

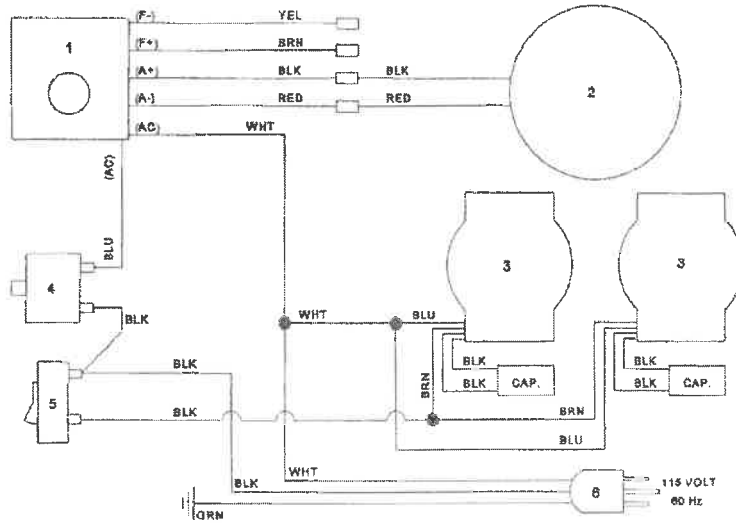
Parts Diagram #2



*Not illustrated

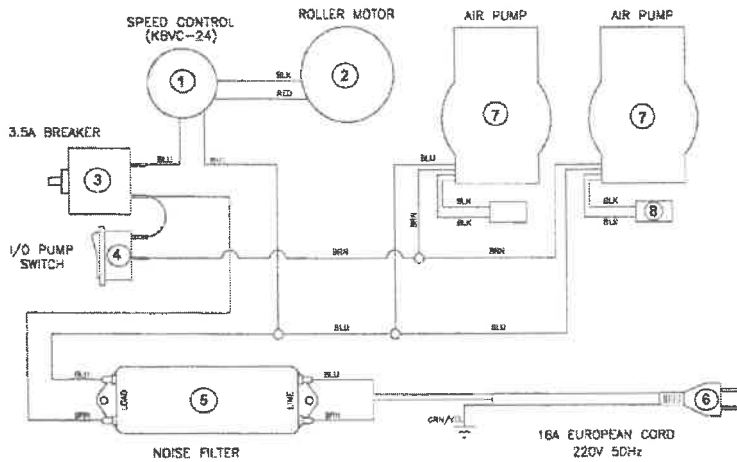
959AF PARTS LIST

Wiring Diagrams



Parts List (110 volt)

- | | |
|--------------------|-----------|
| 1. Speed Control | WRA095501 |
| 2. Roller Motor | M-S021048 |
| 3. Air Pump | M-0095219 |
| 4. Circuit Breaker | M-S045002 |
| 5. I/O Switch | M-S033015 |
| 6. Power Cord | M-S037212 |



Parts List (220 volt ONLY)

- | | |
|--------------------------|-----------|
| 1. Speed Control | M-0095207 |
| 2. Roller Mtr-180VDC | M-S021050 |
| 3. 3.5 Amp. Breaker | M-S045194 |
| 4. I/O Pump Switch | M-S033053 |
| 5. Noise Filter | M-S045193 |
| 6. 16/3 220V Pwr Crd | M-S037222 |
| 7. 220V Thomas Pump | M-0095324 |
| 8. 12.5mf 370V Capacitor | MRS037161 |



251 Wedcor Avenue • Wabash, IN 46992
 Phone: (219) 563-0641 • Fax: (219) 563-4575
 Technical Support: (219) 563-0641