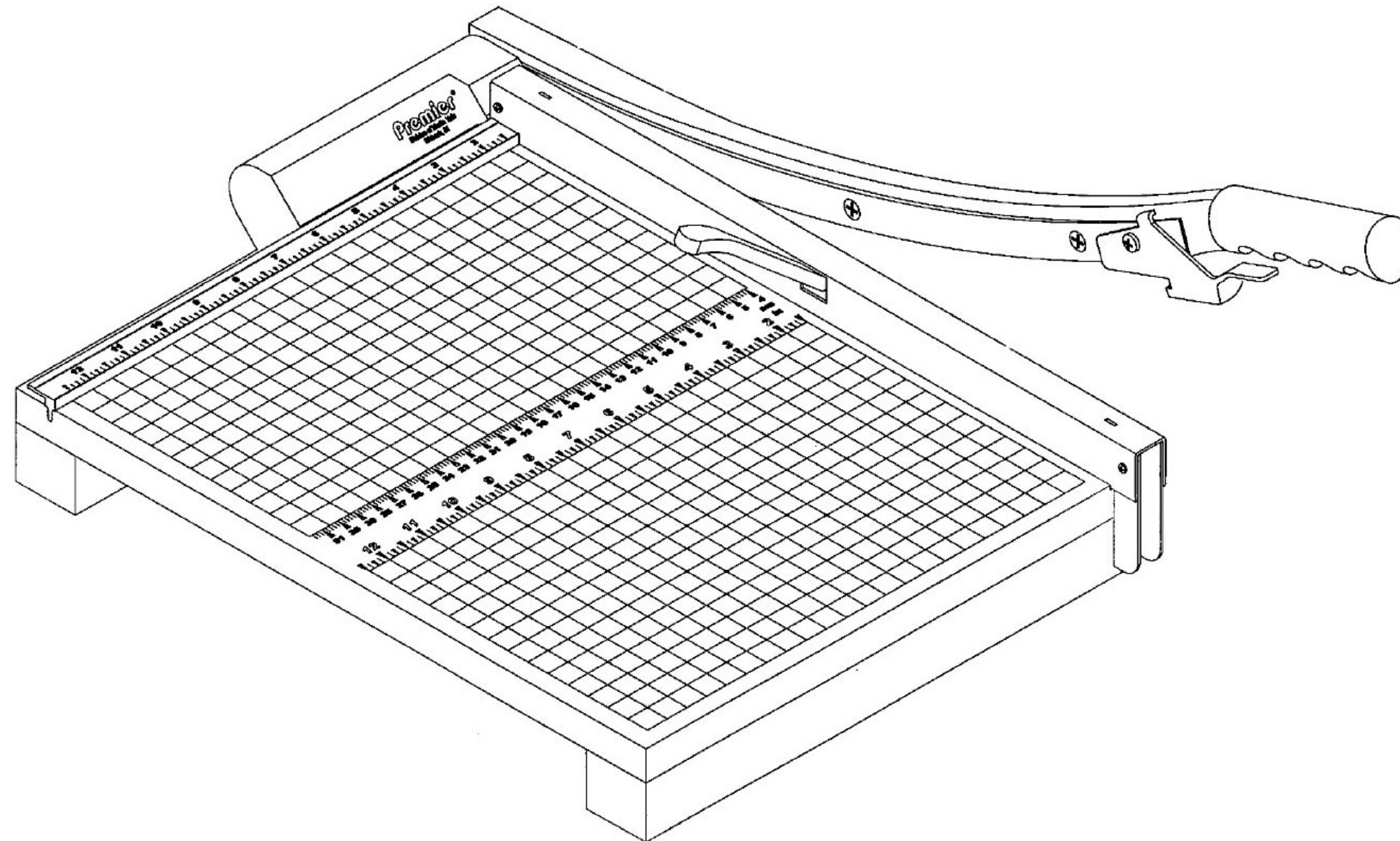


Premier®

StakCut Paper Trimmers



Key Features and Benefits

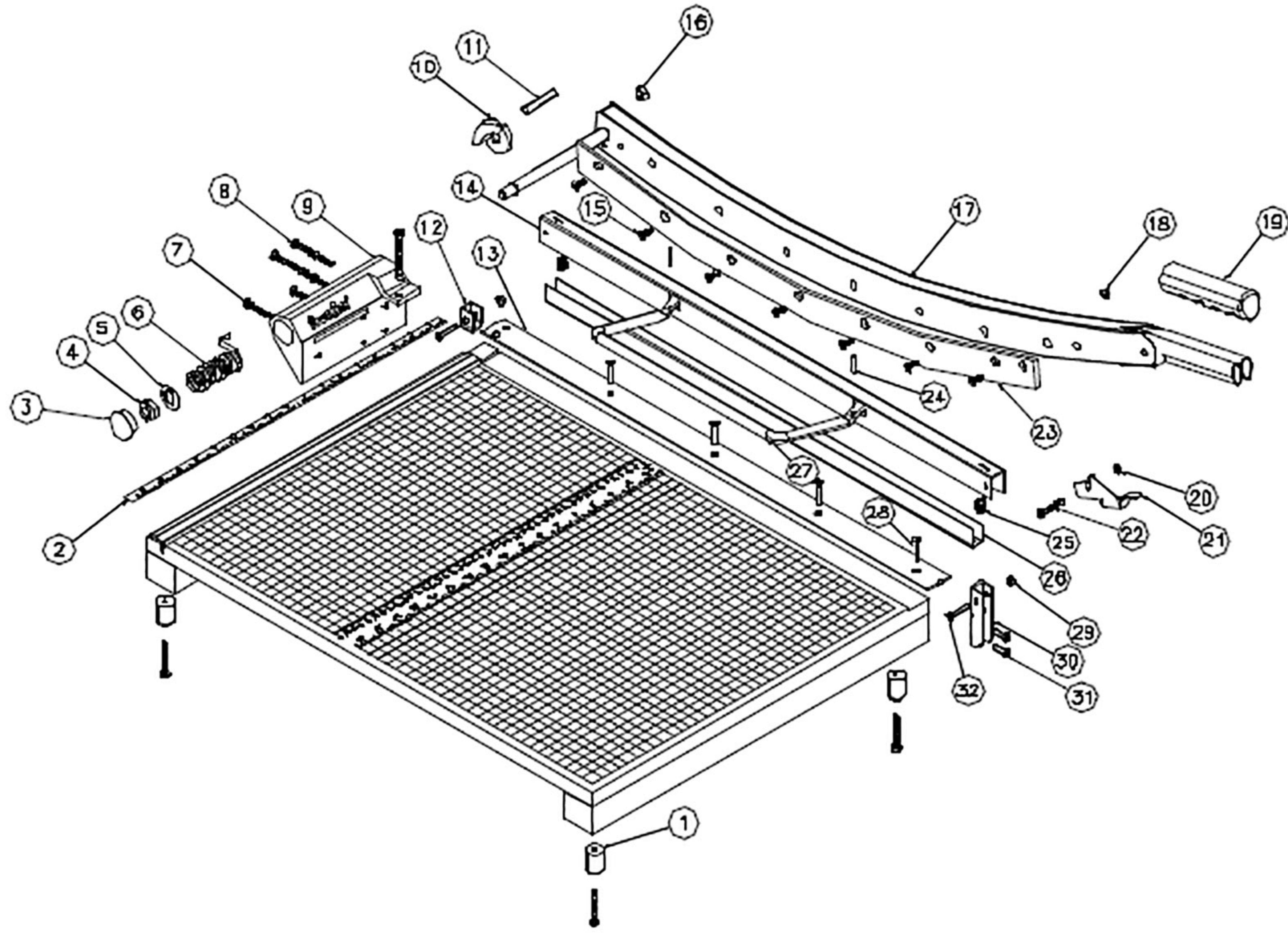
- Clamp securely holds stacks for accurate cutting without tearing or shifting
- Heavy-duty 3/4" thick wood base
- Fully-hardened self-sharpening steel blades cut up to 30 sheets
- Accurately cuts paper, matte board, cardboard, film, tissue, and textiles
- Permanent 1/2" grid and dual rulers for proper paper alignment
- Patented automatic blade latch locks with every cutting motion
- Torsion spring counterbalances blade arm
- Non-skid feet

Model Numbers

715 – 15" cutting length

724 – 24" cutting length

MADE IN USA

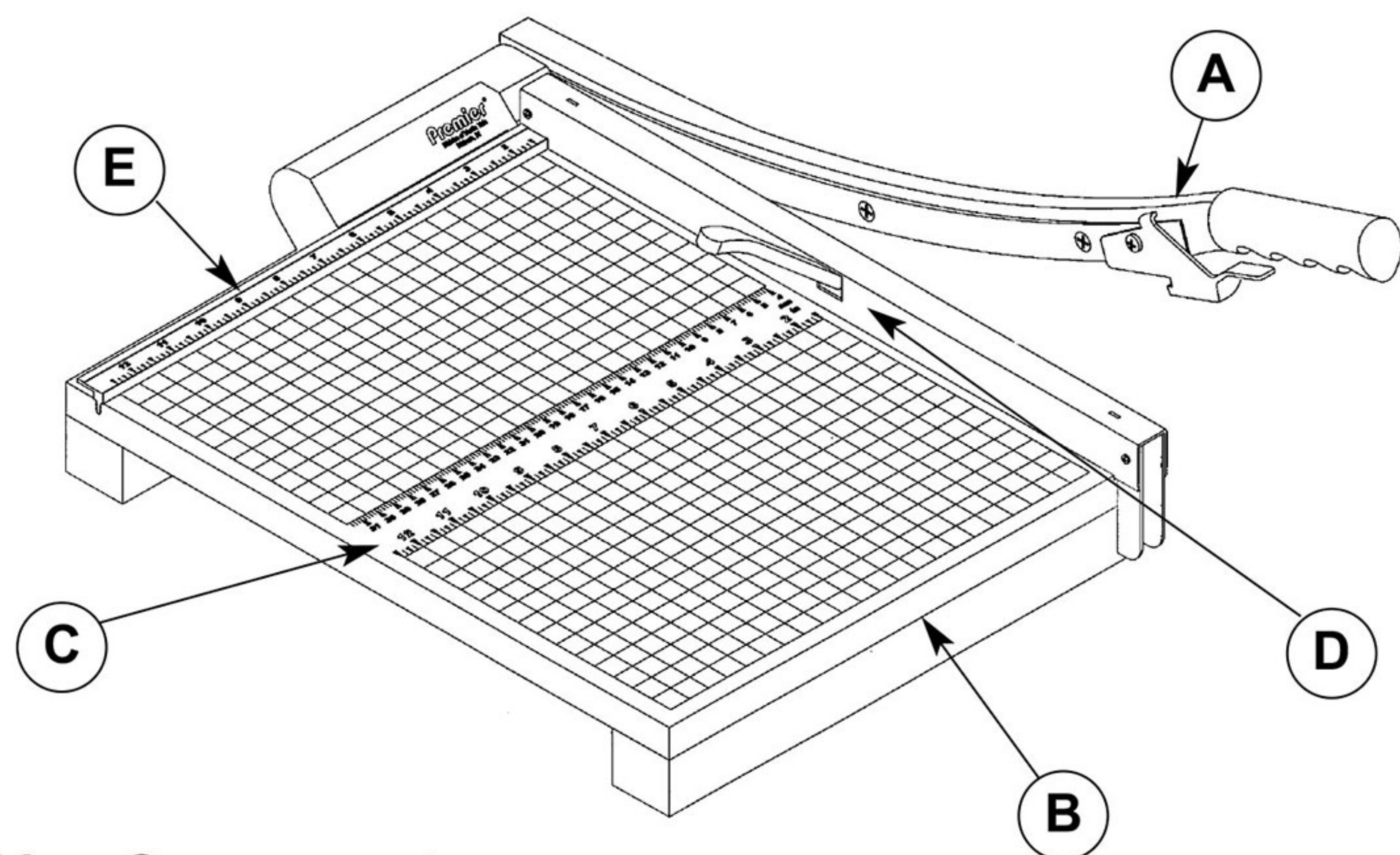


724 PARTS LIST

Part Number	Description	Qty.
1	M-S030002 RUBBER FOOT W/RECESS	4
2	M-O017957 724 RULER, .50 X 17.56	1
3	M-S016012 1 1/8 HOLE PLUG	1
4	M-S007026 1/2-13 HEX LOCK NUT	1
5	W-O001757 TORQUE WASHER	1
6	M-S031053 LARGE TRIMMER SPRING	1
7	M-S004039 10 X 1.5 PHPHPBS	7
8	M-S004093 #8 X 2 LO-ROOT SCREW	3
9	W-A017511 PREM. LRG. BLOCK	1
10	M-O017654 BLOCK WEAR PAD	1
11	M-S038006 5/16-18 X 1 3/4 SL. OVAL	1

Part Number	Description	Qty.
12	W-O072167 CLAMP POST BEARING	1
13	W-O010524 24" STRAIGHT BLADE	1
14	W-O072165 24" CLAMP COVER	1
15	M-S001020 10-32 X 1/2 PHIL UC FH	7
16	M-S007021 5/16-18 JAM HEX NUT	1
17	W-A724A00 24" STACKCUT HANDLE ASSY	1
18	M-S007033 HEX ACORN NUT, 10-32	1
19	M-S043016 1" HAND GRIP, BLACK	1
20	M-O017842 LATCH SPACER	1
21	W-O017652 LARGE SAFETY LATCH	1
22	M-S001149 10-32 X 1.13 P/PH B/O	1

Part Number	Description	Qty.
23	W-O722415 24" CURVED STACKCUT BLADE	1
24	M-S018002 1/8D X 3/4 ROLLPIN	2
25	M-O721516 EXTENSION SPRINGS	2
26	W-O072162 24" CLAMP BAR	1
27	W-O722418 CLAMP HANDLE	1
28	M-S004061 #8 X 1.25 TRIM HD.	5
29	M-S007054 6-32 HEX KEPS NUT	2
30	W-O072168 CLAMP POST FRONT	1
31	M-S004065 #8 X 5/8 PH PAN HD	2
32	M-S001058 6-32 X 1 PHIL PAN HEAD	2



Key Components

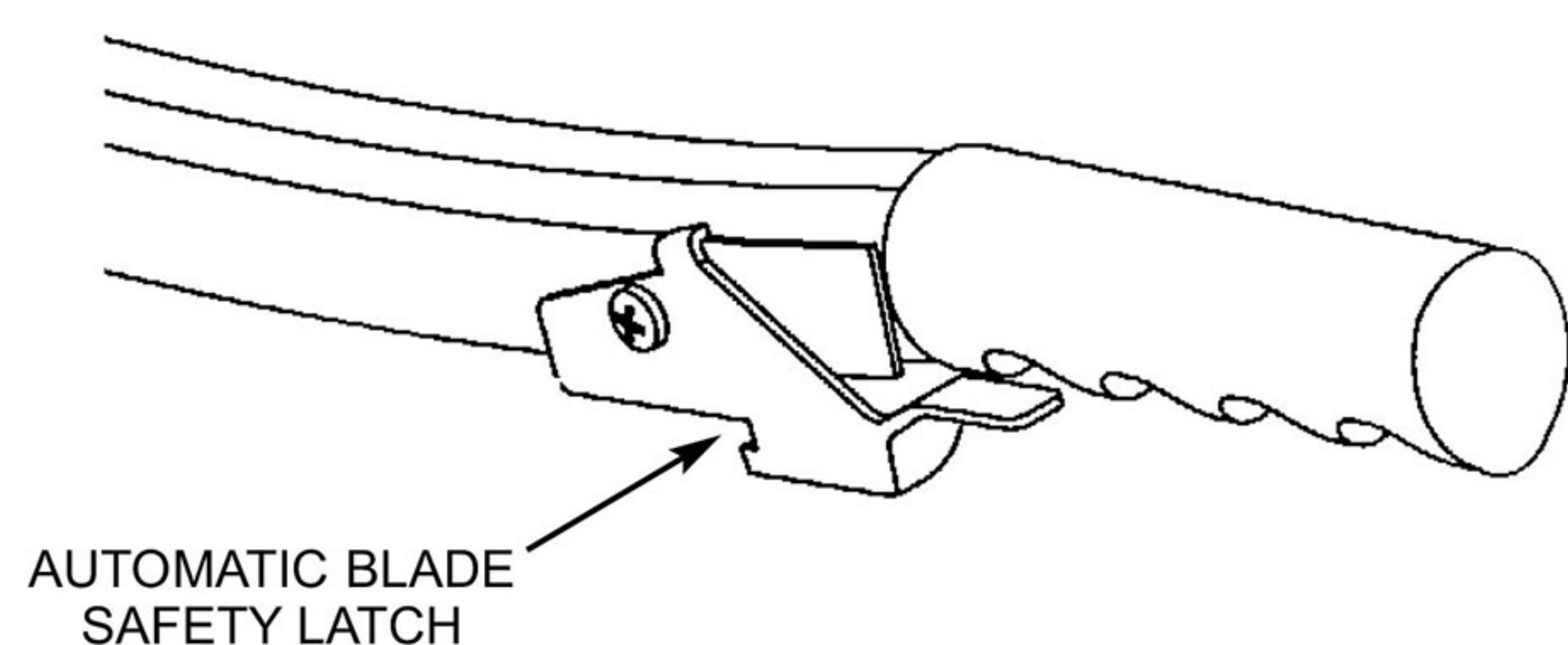
- A – Hand Grip/Blade Arm/Blade Latch Assembly
- B – Wood Base
- C – Alignment Ruler
- D – Hold-Down Clamp
- E – Paper Guide Ruler

Assembly Instructions

None – your trimmer is ready for use right out of the box

Automatic Safety Latch

The patented automatic blade latch is a key safety feature of this trimmer. It will lock with every complete cutting stroke, helping to eliminate forgetfulness. Remember to always push the blade arm down completely when you are finished cutting, to ensure that the latch activates. Never remove the latch for any reason.



Operating Instructions

1. Place the trimmer on a flat, stable surface
2. Release the blade latch, which is located on the hand grip (A)
3. Lift the blade arm (A) up into cutting position
4. Slide the paper under the clamp (D), pushing the paper up against the paper guide ruler (E), and use the rulers or the 1/2" grid, to align the paper to the proper position.

CAUTION:

Keep hands and fingers behind the clamp (D) at all times, away from the cutting blades

5. While holding the silver clamp handle (D) down with your left hand, pull down the blade arm (A) to cut.
6. Always make sure that the blade arm is completely down and locked when not in use.

Safety Information

- Always ensure that the blade arm is fully pushed down, and that the blade latch is engaged, when not in use
- Never operate the trimmer without the clamp in place
- Always keep clothing, jewelry, watches, and hair away from the cutting blade
- Keep out of the reach of children
- Do not carry the trimmer by the hand grip or the blade arm

For Best Cutting Performance

Use Trim-Ease Blade Lubricant for a smoother cut and to help preserve the life of the cutting blade. To order, please contact customer service at the number below and ask for Trim-Ease Blade Lubricant, part number MRS037046.

Customer Service

Telephone: (260) 563-0641
Fax: (260) 563-4575
Email: info@martinyale.com
Internet: www.martinyale.com
Address: Martin Yale Industries, Inc.
 251 Wedcor Avenue
 Wabash, IN 46992

Visit www.martinyale.com for information on office products, including folding machines, punches, and catalog racks.