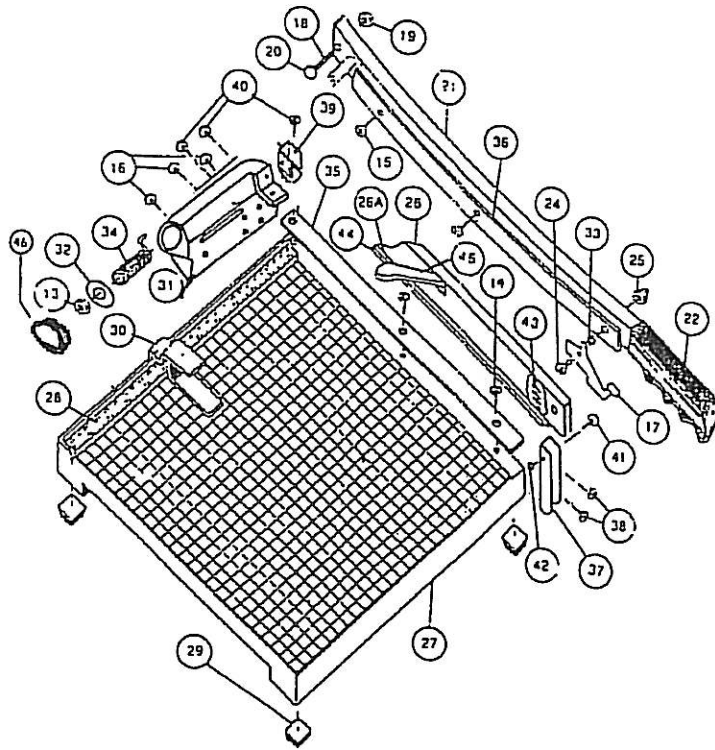


StakCut Trimmer



Model 724

Same parts as Model 715  
except for:

- 21 W-A724A00
- 26 W-O072165
- 26A W-A072162
- 27 W-F010724
- 28 M-O010324
- 29 M-S030002
- 35 W-O010524
- 36 W-O722415
- 44 M-O722422
- 45 W-O722418

Model 715

- |     |           |                         |    |           |                       |
|-----|-----------|-------------------------|----|-----------|-----------------------|
| 13  | M-S007026 | Lock Nut                | 30 | M-O017728 | Paper Stop            |
| 14  | M-S004063 | 8-18x5/8 F. Hd. Scr.    | 31 | W-A017511 | Bearing Block         |
| 15  | M-S001020 | 10-32x1/2 F. Hd. Scr.   | 32 | W-O001757 | Torque Washer         |
| 16  | M-S004039 | 10-6x1 1/2 Rd. Hd. Scr. | 33 | M-O017642 | Latch Spacer          |
| 17  | W-O017652 | Trigger Latch           | 34 | M-S031053 | Large Spring          |
| 18  | M-S038006 | 5/16-18x1 3/4 Adj. Scr. | 35 | W-O010515 | Bed Blade             |
| 19  | M-S007021 | 5/16-18 Lock Nut        | 36 | W-O721515 | Curved Blade          |
| 20  | M-O017654 | Wear Pad                | 37 | W-O072168 | Clamp Bar Post Large  |
| 21  | W-A715A00 | Handle Assy.            | 38 | M-S004065 | 8-18x5/8 Pan Hd. Scr. |
| 22  | M-S043016 | Handle Grip             | 39 | W-O072167 | Clamp Bar Post Small  |
| 24  | M-S001149 | 10-32x1.13 Pan Hd. Scr. | 40 | M-S004051 | 10-16x2 Rd. Hd. Scr.  |
| 25  | M-S007010 | 10-32 Acron Nut         | 41 | M-S007054 | 6-32 Hex Kep Nut      |
| 26  | W-O072163 | Clamp Cover             | 42 | M-S001058 | 6-32x1 Pan Hd. Scr.   |
| 26A | W-A072160 | Clamp Bar Assy.         | 43 | M-O721516 | Spring                |
| 27  | W-F010715 | Wood Base Assy.         | 44 | M-O721522 | Rubber Strip          |
| 28  | M-O010318 | Ruler                   | 45 | W-O721518 | Hold Down Handle      |
| 29  | M-S030001 | Adhesive Bumper         | 46 | M-S016012 | Hole Plug 1 1/8"      |

**Premier**<sup>®</sup>

Division of

Martin Yale Industries, Inc.

251 Wedcor Avenue • Wabash, IN 46992

Phone (219) 563-0641 • Fax (219) 563-4575