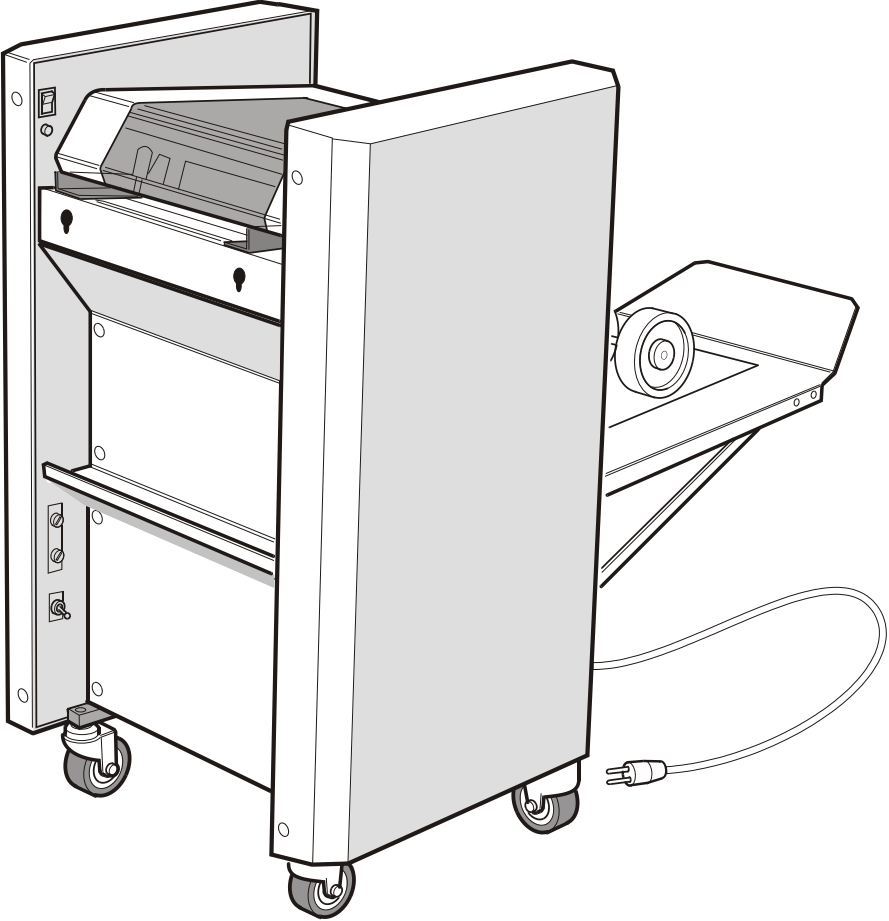
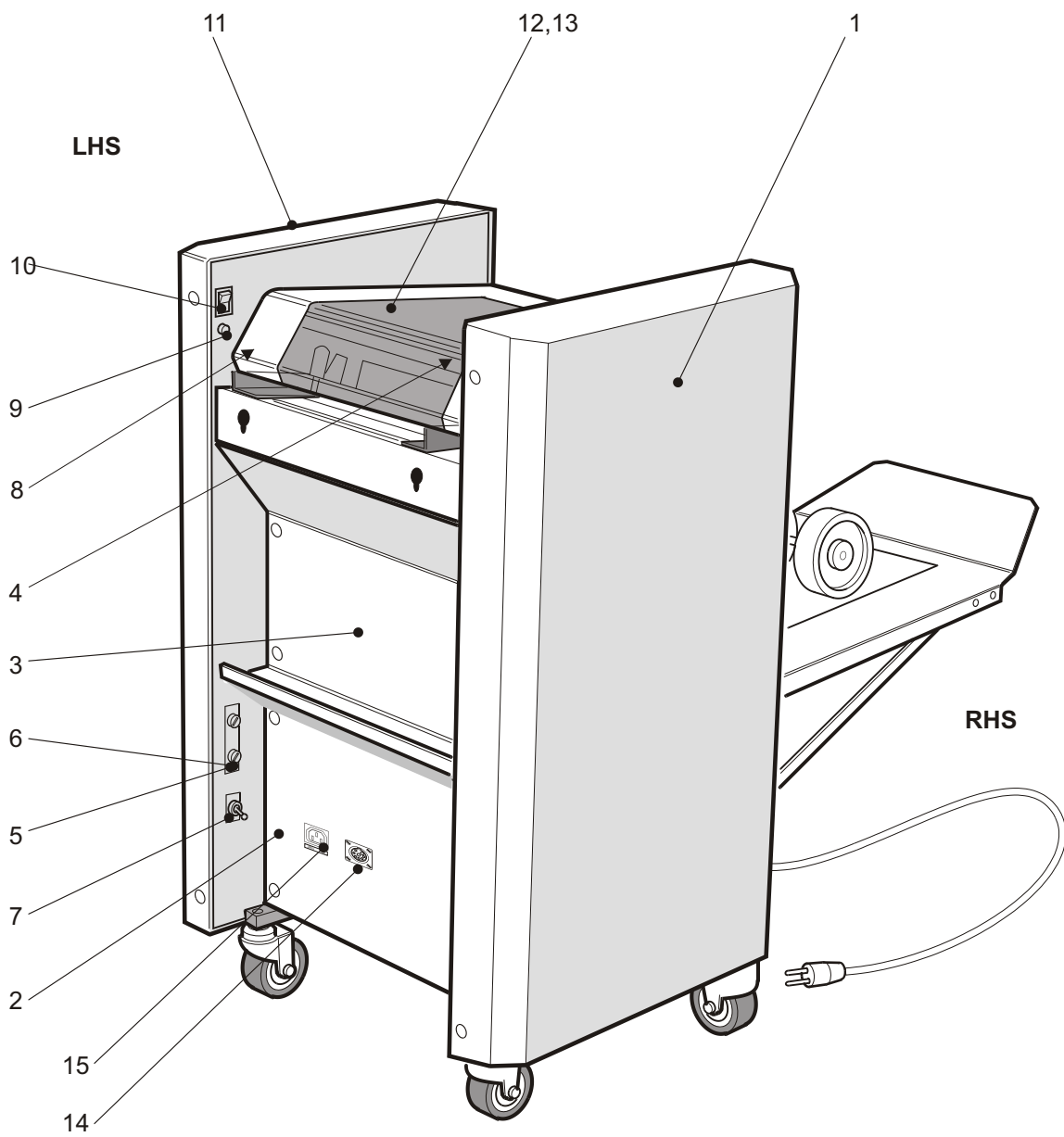


ProSource Packaging, Inc.
14911 Stuebner Airline Suite A
Houston, TX 77069
800-203-0233
www.Machine-Solution.com

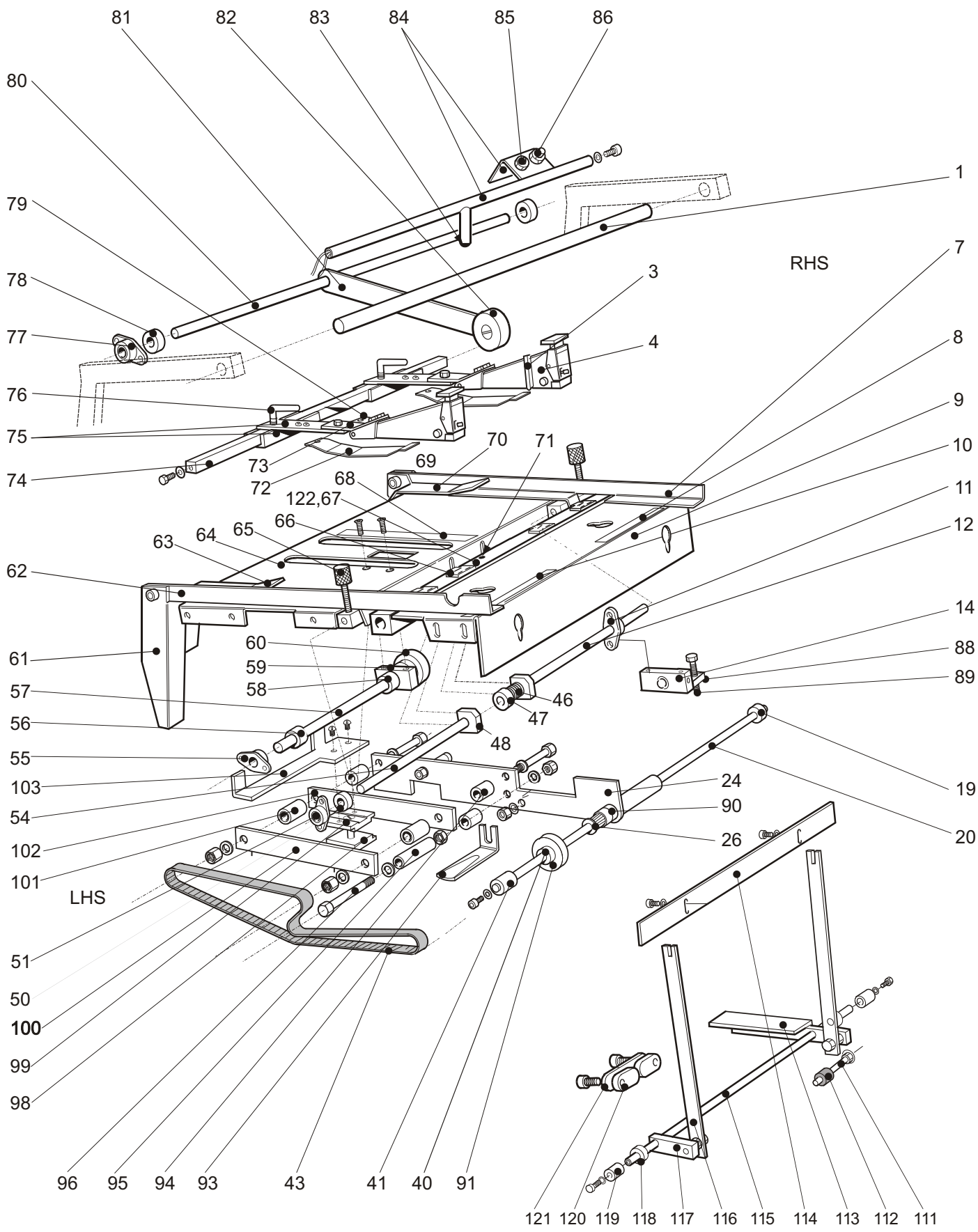
Appendix A

**Spare parts drawings
for the
Sprint 3000 Bookletmaker**



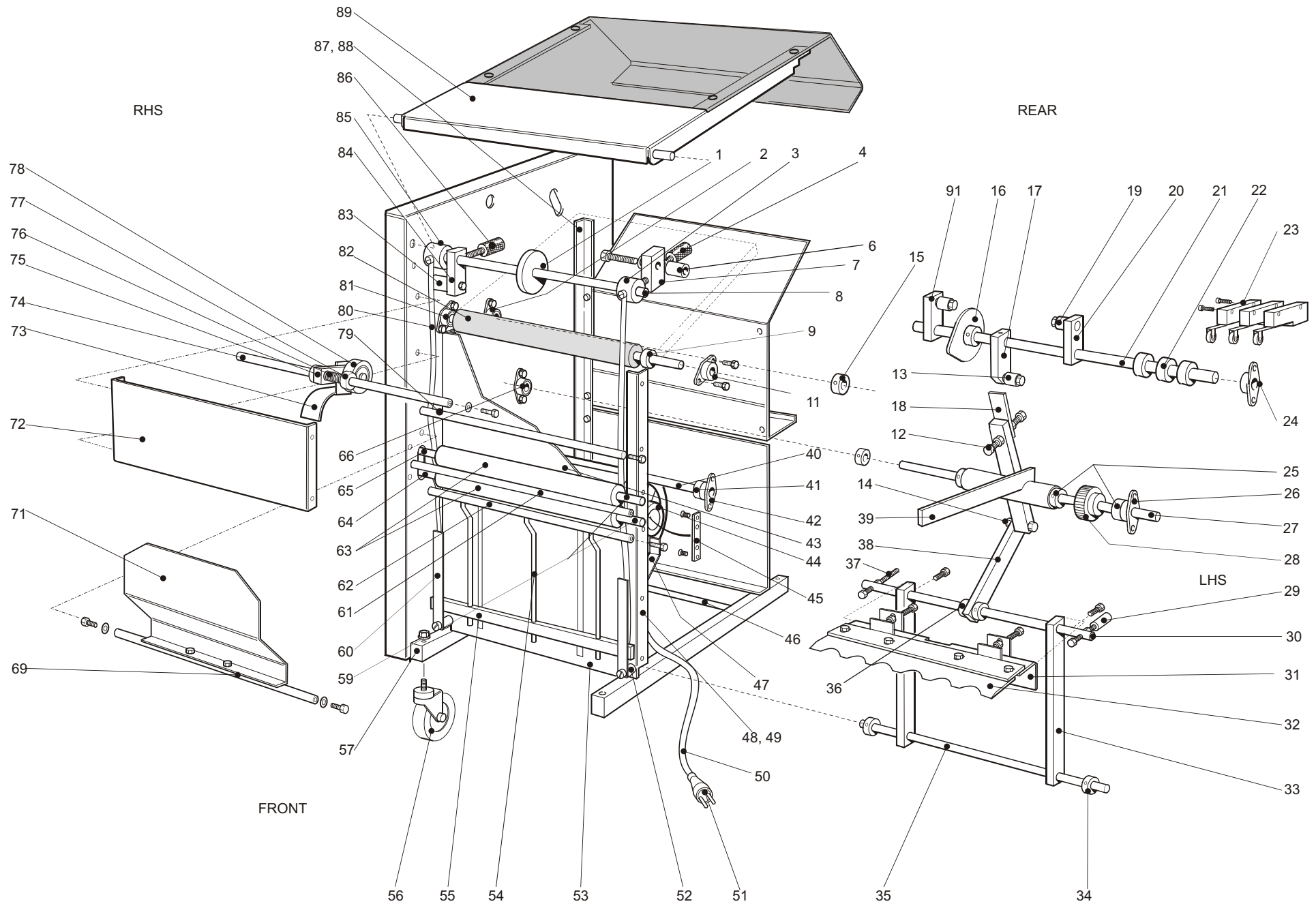


1. Panels

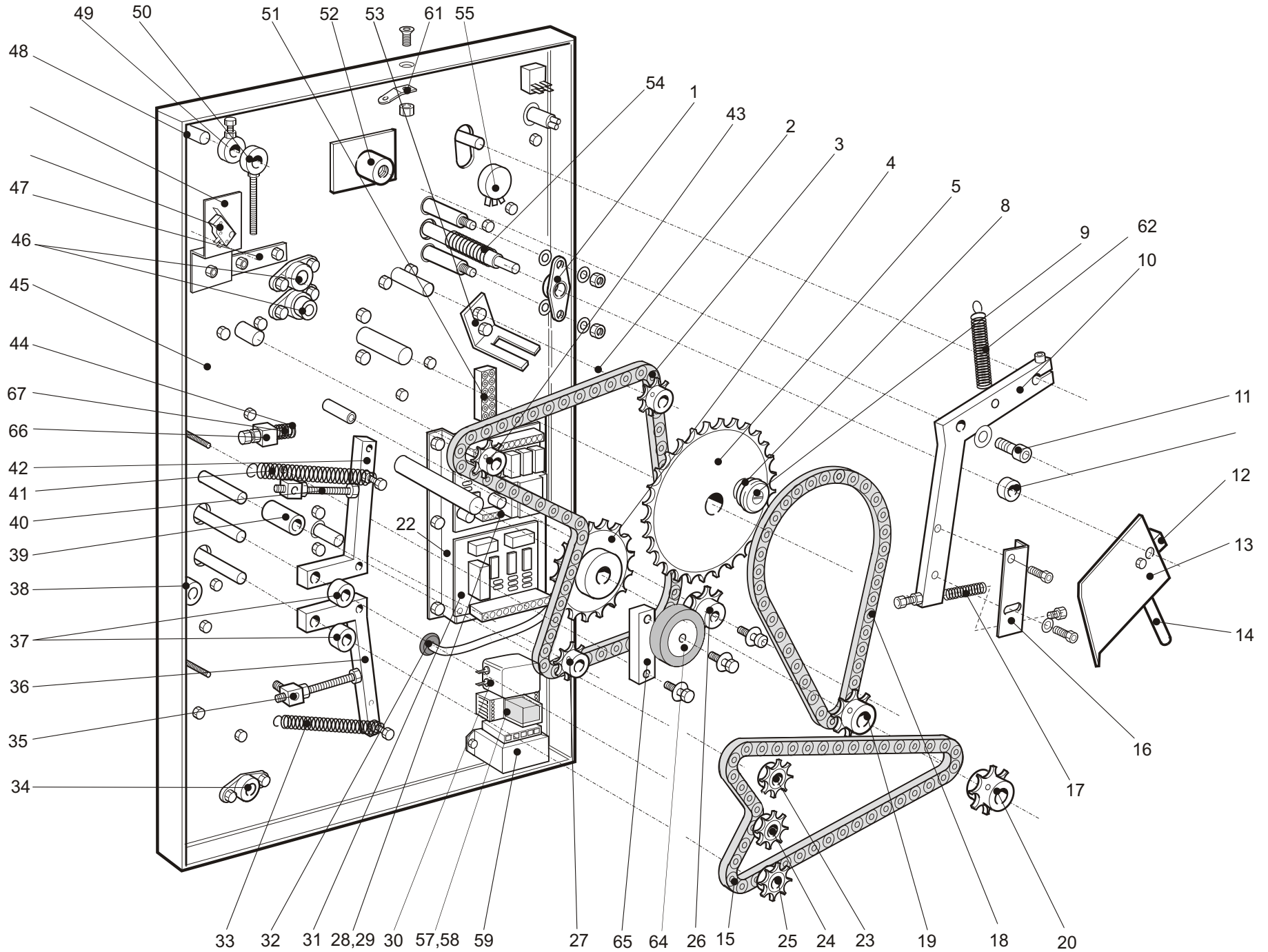


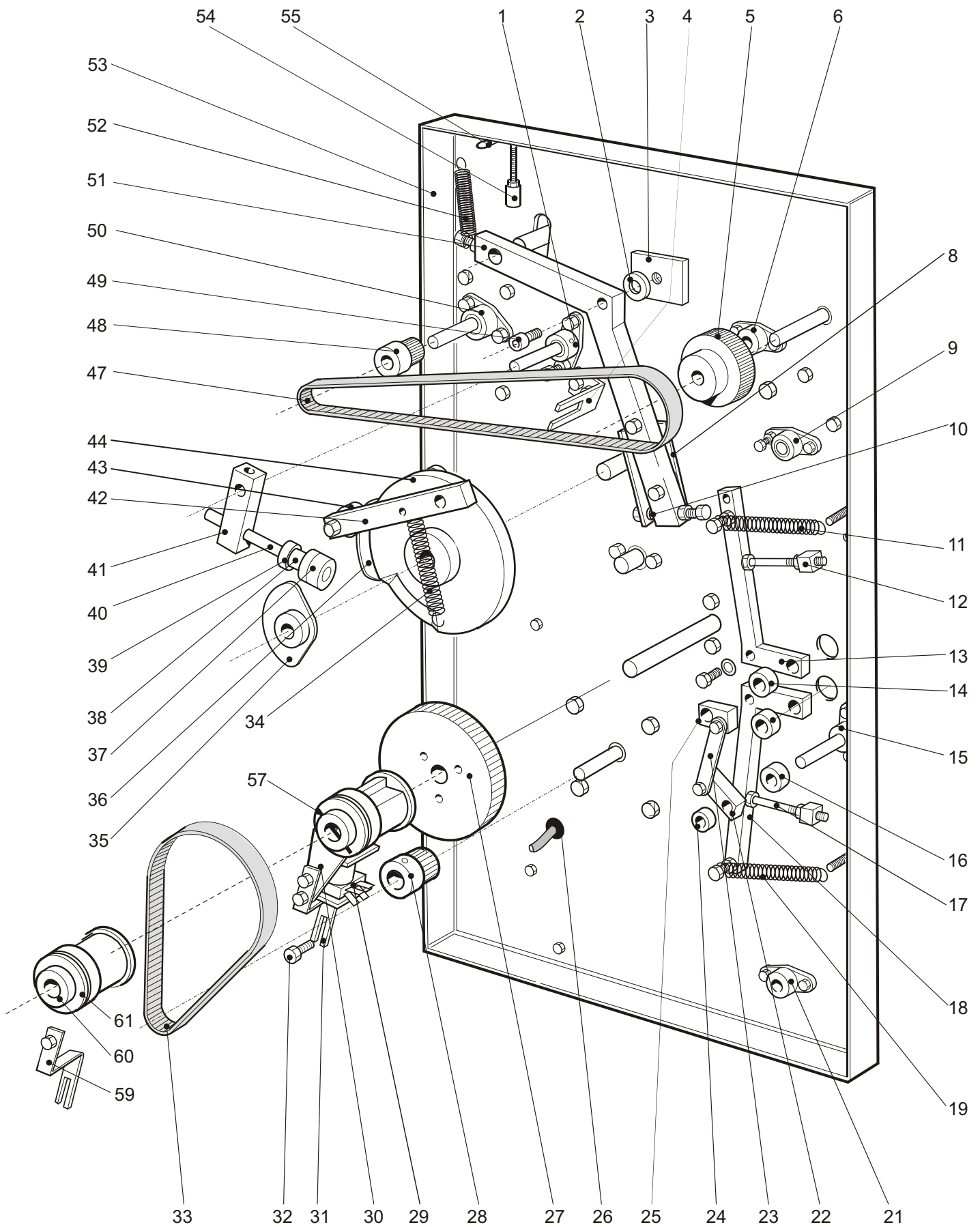
2. Staple section

3. Fold section



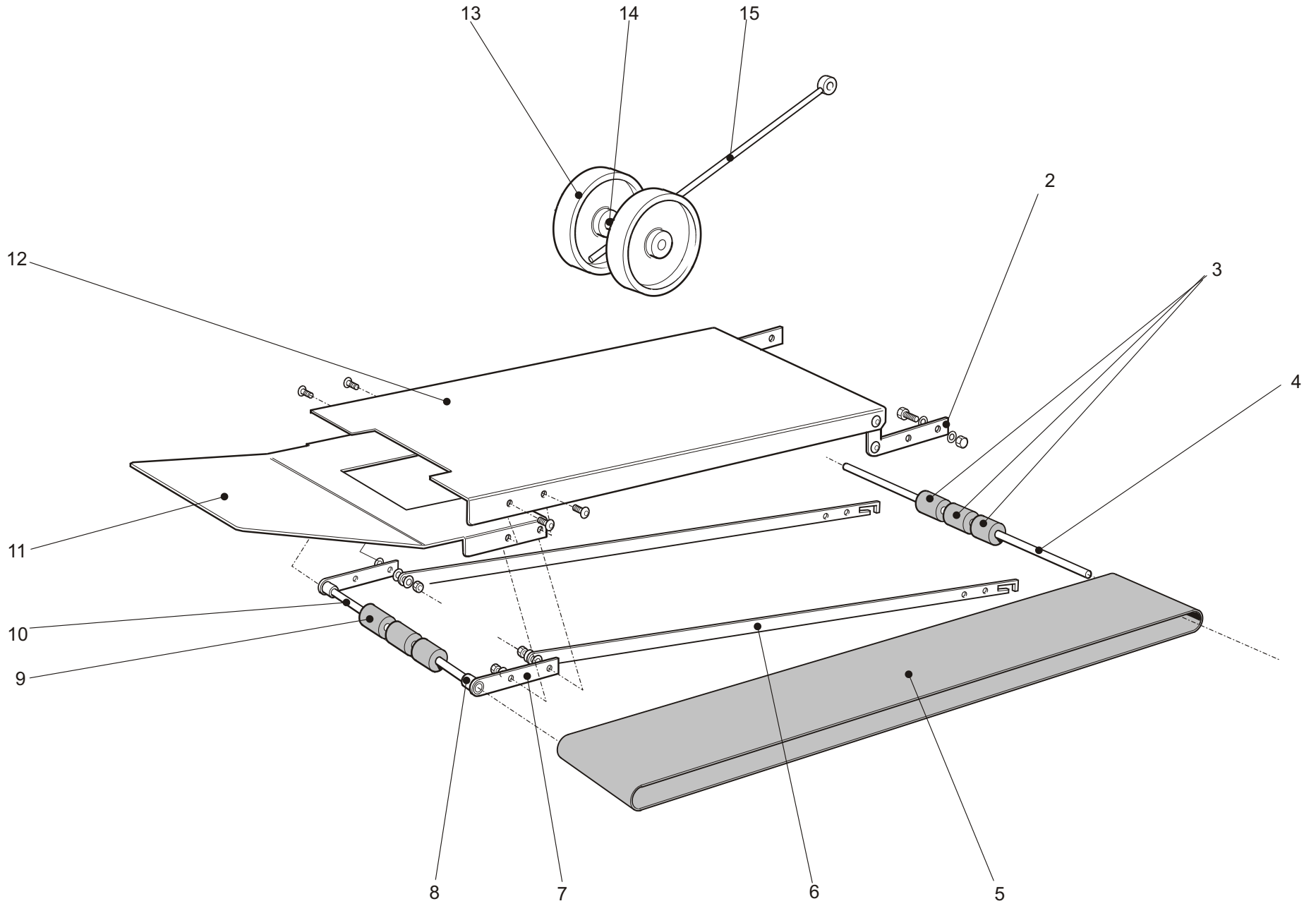
4. Left hand side





5. Right hand side

6. Outfeed conveyor



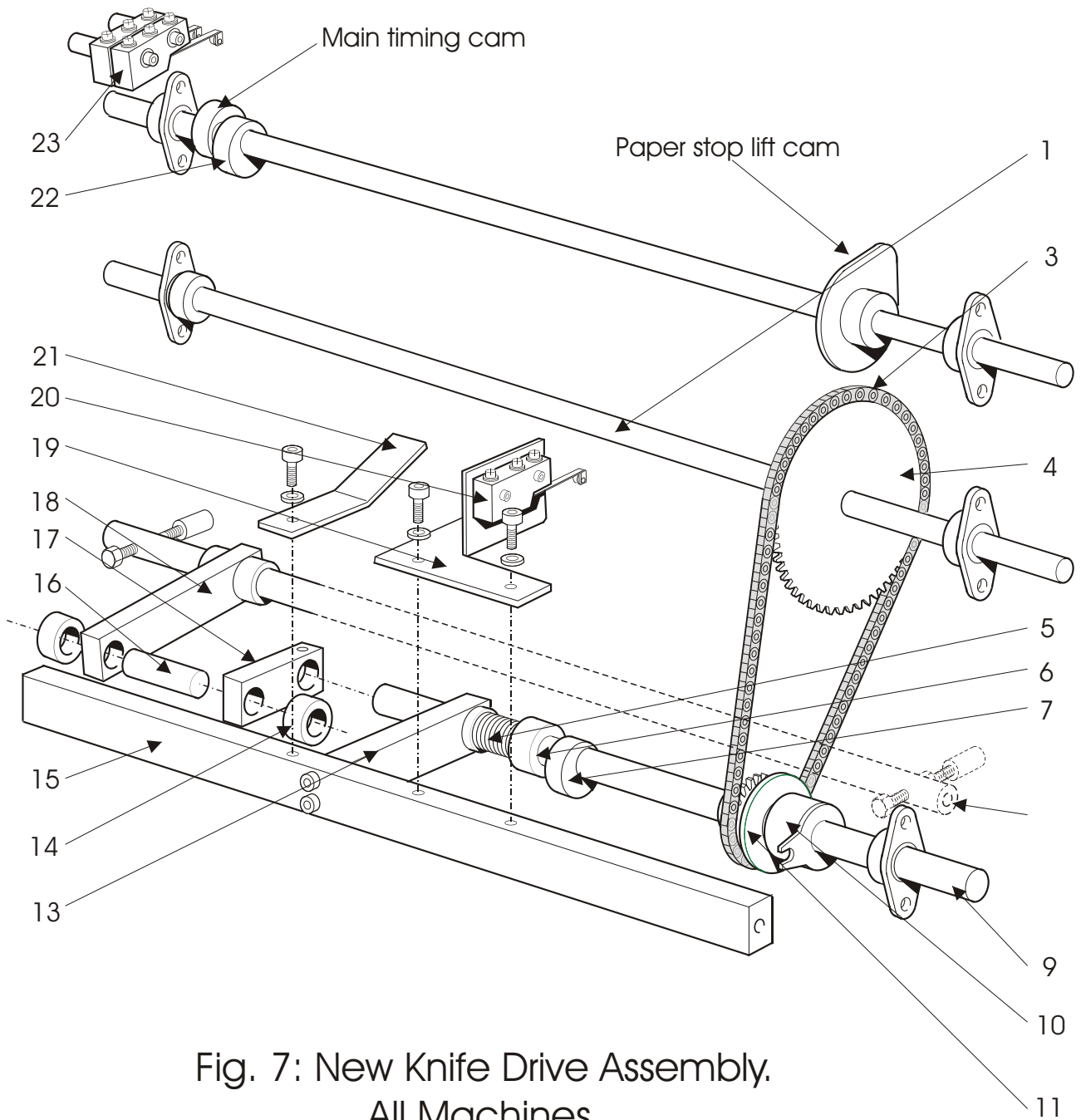


Fig. 7: New Knife Drive Assembly.
All Machines.

3000	Part	Quantity
1.00	PANELS	
1.01	Side Cover	1
1.02	Bottom Front Plate	1
1.03	Top Front Plate	1
1.04	Counter (not in view)	1
1.05	Fuse Holder	2
1.06	Fuse	2
1.07	Switch - Staple count	1
1.08	Staple delay knob	1
1.09	Reset Switch	1
1.10	Power Switch	1
1.11	Side Cover	1
1.12	Perspex Cover section	1
1.13	Cover frame	1
1.14	24v DC output socket	1
1.15	240v/110v AC output socket	1

3000	Part	Quantity
2.00	STAPLE SECTION	
2.01	Stapling head actuator Bar	1
2.02		
2.03	Saddle assembly (+ emitter and detector). Where fitted	+
2.04	Stapling Head	2
2.05		
2.06		
2.07	Side Guide RHS	1
2.08	Scale RHS	1
2.09	Paper Table	1
2.10	Scale LHS	1
2.11	Bearing Housing	1
2.12	Side Jog Shaft RHS	1
2.13		
2.14	Bearing Block	1
2.15		
2.16		
2.17		
2.18		
2.19	Cup Bearing	1
2.20	Front Shaft for Paper Stop Assembly	1
2.21		
2.22		
2.23		
2.24	Paper Stop Frame	1
2.25		
2.26	Timing Pulley	1
2.27		
2.39		
2.40	Collar	1
2.41	Cup Bearing	1
2.42		
2.43	Stapling Position Stop Belt	1
2.44		
2.45		
2.46	Side Jog Spring	1
2.47	Collar	1
2.48	Support Blocks	2
2.49		
2.50	Collar	1
2.51	Bearing Housing	1
2.52		
2.53		
2.54	Side Jog Shaft LHS	1
2.55	Bearing Housing	1
2.56	Collar	1
2.57	Bottom Takeaway Shaft	1
2.58	Collar	1
2.59	Center Bearing Block	1
2.60	Bottom Takeaway Wheel	1
2.61	Side Guide Extension LHS	1
2.62	Side Guide LHS	1
2.63	Paper Deflector LHS	1
2.64	Second Paper Table	1
2.65	Side Guide clamping thumbscrew	2
2.66	Anvil (7B)	2
2.67	Anvil Bar (2 . 67 - 3000)	1

only f/5000

Please quote machine model and serial number, with part number, on order.

3000	Part	Quantity
2.68	Staple Stop Scale	1
2.69	Side Guide Extension RHS (not shown)	1
2.70	Paper Deflector RHS	1
2.71	Photocell Receiver	1
2.72	Stapling head return spring	2
2.73	Stapling Head Retaining Plate	1
2.74	Stapling head universal bar	1
2.75	Slide Bracket	2
2.76	Stapling head locking lever	2
2.77	Bearing Housing	1
2.78	Collar	2
2.79	Center guide	1
2.80	Pivot Shaft	1
2.81	Top Takeaway Wheel Lift Arm	1
2.82	Top Takeaway Wheel	1
2.83	Photocell Emitter	1
2.84	Carrier tube for emitter	1
2.85	Staple Out Light	+
2.86	Staple Out reset button	+
2.87		
2.88	Staple centring adjustment screw block	1
2.89	Staple centring adjustment screw	1
2.90	Collar	2
2.91	Control wheel	1
2.92		
2.93	Belt support plate	1
2.94	Spacer - short	3
2.95	Spacer - long	1
2.96	Clamping bolt	3
2.97		
2.98	Bottom plate - runner assembly	1
2.99	Top plate - runner assembly	1
2.100	Slide plate - LHS	1
2.101	Spacer - medium	2
2.102	Slide plate - RHS	1
2.103	Staple stop plate	1
2.104		
2.105		
2.106		
2.107		
2.108		
2.109		
2.110		
2.111	Bottom Stop Bolt	1
2.112	Rubber Stop	1
2.113	Cam Lever	1
2.114	Clinch Activator Plate	1
2.115	Shaft	1
2.116	Clinch activator Arms	2
2.117	Block	2
2.118	Collar	2
2.119	Cup Bearing	2
2.120	Clinchers	4
2.121	Clinch Spacer Plate	2
2.122	Anvil Bar for Clinchers (replaces 2.67)	1

only f/5000

3000	Part	Quantity
3.00	FOLD SECTION	
3.01	Staple & Fold stops adjust wheel	1
3.02	Bearing Housing	1
3.03	Fold Stop Tape Wheel	1
3.04	Fold Stop Tilt Thumbscrew	1
3.05		
3.06	Spacer	1
3.07	Fold Stop Tilt Block	1
3.08	Fold Stop Shaft	1
3.09	Collar	1
3.10	Knife crank assembly bolt	1
3.11	Bearing Housing	1
3.12	'Knife In' Spring Plate	1
3.13	'Knife In' Cam Roller	1
3.14	Knife crank pivot bolt	1
3.15	Collar	1
3.16	Paper Stop Cam	1
3.17	'Knife In' Cam Block	1
3.18	'Knife In' Stop Blade	1
3.19	'Knife Out' Cam Roller	1
3.20	'Knife Out' Cam Block	1
3.21	Timing Shaft	1
3.22	Timing Collar	3
3.23	Roller Microswitch	3
3.24	Bearing Housing	1
3.25	Collar	4
3.26	Bearing Housing	1
3.27	Knife Shaft	1
3.28	Timing Pulley	1
3.29	Rubber sleeve	1
3.30	Knife Tie Bar	1
3.31	Knife Frame	1
3.32	Knife Blade Assembly	1
3.33	Knife Pivot Lever	1
3.34	Collar	2
3.35	Knife pivot shaft	1
3.36	Collar	2
3.37	Knife adjustment screw	2
3.38	Knife crank	1
3.39	Knife operating assembly	1
3.40	Clutch shaft	1
3.41	Collar	2
3.42	Bearing housing	2
3.43	Top front plate	1
3.44	Motor	1
3.45	Plate	1
3.46	Tie bar	1
3.47	Knife Return Spring Plate	1
3.48	Front angled bracket LHS	1
3.49	Front angled bracket RHS	1
3.50	Mains Inlet Cable	1
3.51	Plug	1
3.52	Fold Stop Retaining Mount	2
3.53	Bottom front plate	1
3.54	Fold stop guide	3
3.55	Fold stop	1
3.56	Castor	4
3.57	Castor bar	2

Please quote machine model and serial number, with part number, on order.

3000	Part	Quantity
3.58		
3.59	Fold roll stub shaft	2
3.60	Fold stop retainer	2
3.61	Conveyor wheel assembly mount shaft	1
3.62	Fold stop guide retaining shaft	1
3.63	Fold Roll	2
3.64	Fold Roll Stub Shaft - bottom	1
3.65	Fold Roll Stub Shaft - top	1
3.66	Bearing housing	1
3.67		
3.68		
3.69	Pivot bar	1
3.70		
3.71	Divert plate	1
3.72	Cover Plate	1
3.73	Center Deflector	1
3.74	Front Takeaway Wheel Shaft	1
3.75	Takeaway Wheel Block	1
3.76	Spring	1
3.77	Spring Load Collar	1
3.78	Front Takeaway Wheel	1
3.79	Tie Bar	
3.80	Fold Stop Tape	2
3.81	Bearing Housing	1
3.82	Takeaway Roll	1
3.83	Block mount	1
3.84	Lock block	1
3.85	Tape wheel	1
3.86	Locking thumbscrew	1
3.87	Rear angled bracket LHS	1
3.88	Rear angled bracket RHS	1
3.89	Top Cover Frame	1
3.90		
3.91	Clinch cam block	1

3000	Part	Quantity
4.00	LEFT HAND SIDE	
4.01	Bearing Housing	1
4.02	Sprocket	1
4.03	Chain	1
4.04	Sprocket	1
4.05	Sprocket	1
4.06		
4.07		
4.08	Ball race	1
4.09	Nylatron runner	1
4.10	Actuating Lever	1
4.11	Shoulder Screw	1
4.12	Block	1
4.13	Plate	1
4.14	Bar	1
4.15		
4.16	Pressure Plate	1
4.17	Compression Spring	1
4.18	Chain	1
4.19	Sprocket	1
4.20	Sprocket	1
4.21	Chain - Fold Roll	1
4.22	PCB bracket	1
4.23	Sprocket - Idle	1
4.24	Sprocket - Fold Roll	1
4.25	Sprocket - Fold Roll	1
4.26	Sprocket - Idle	1
4.27	Sprocket	1
4.28	Control PCB (SPRINTx) replaces 4.29 on 24V dc machines	
4.29	Control PCB (PSKF01)	1
4.30	Mains line filter	1
4.31	Staple Out PCB (PSKF04) where fitted	1
4.32	Grommet	1
4.33	Fold Roll Tension Spring	1
4.34	Bearing Housing	1
4.35	Feed roll lever limit	2
4.36	Fold roll pivot lever	1
4.37	Collar	2
4.38	Collar	1
4.39	Spacer	1
4.40	Limit screw	2
4.41	Fold Roll Tension Spring	1
4.42	Fold roll pivot lever	1
4.43	Sprocket	1
4.44	Micro Switch Bracket	1
4.45	Cover MicroSwitch	1
4.46	Bearing Housing	1
4.47	Pivot Plate	1
4.48	Side Plate LHS	1
4.49	Actuating Lever - Cover M/S	1
4.50	Terminal Strip	1
4.51	Terminal Strip	1
4.52	Bearing Block	1
4.53	Side Jog Fork Plate	1
4.54	Spring	1
4.55	Potentiometer	1
4.56		
4.57	Relay	1

Please quote machine model and serial number, with part number, on order.

3000	Part	Quantity
4.58	Relay base	1
4.59	Transformer	1

3000	Part	Quantity
5.00	RIGHT HAND SIDE	
5.01	Bearing Housing	1
5.02	Washer	1
5.03	Bearing Block	1
5.04	Side Jog Fork Plate	1
5.05	Timing Pulley	1
5.06	Bearing Housing	1
5.07		
5.08	Pressure Plate	1
5.09	Bearing Housing	1
5.10	Compression Spring	1
5.11	Fold Roll Tension Spring	1
5.12	Block	2
5.13	Fold roll pivot lever	1
5.14	Collar	2
5.15	Bearing Housing	1
5.16	Collar	1
5.17	Limit screw	2
5.18	Fold Roll Pivot Lever	1
5.19	Fold Roll Tension Spring	1
5.20		
5.21	Bearing Housing	1
5.22	Stacker Drive One-way Clutch Block	1
5.23	Stacker Drive Link	1
5.24	Collar	1
5.25	Stacker Belt Drive Block	1
5.26	Grommet	1
5.27	Timing Pulley - Clutch Drive	1
5.28	Timing Pulley - Motor	1
5.29	Clutch Solenoid	1
5.30	Clutch Assembly	1
5.31	Clutch Bracket	1
5.32	Clutch Retaining Bolt	1
5.33	Timing Belt - Clutch Drive	1
5.34	Spring	1
5.35	Timing Cam - Top Takeaway Wheel	1
5.36	Side jog cam plate	1
5.37	Side Jog Cam Follower	1
5.38	P-B Bush	1
5.39	Collar	1
5.40	Shaft	1
5.41	Block	1
5.42	Top takeaway roll actuating bar	1
5.43	Cam Follower	1
5.44	Timing Cam - Side Jog	1
5.45	Pivot Bracket	1
5.46		
5.47	Timing Belt	1
5.48	Pulley	1
5.49	Shoulder Screw	1
5.50	Bearing Housing	1
5.51	Actuating Lever	1
5.52	Actuating Lever Return Spring	1
5.53	Side Plate RHS	1
5.54	Buffer	1
5.55	Spring retaining plate	1
5.56		
5.57	Clutch pin	1
5.58		

Please quote machine model and serial number, with part number, on order.

3000	Part	Quantity
5.59	Clutch Bracket (replaces item 5.31 on 240v AC m/c's)	1
5.60	Clutch drive collar (replaces item 5.57 on 240v AC m/c's)	1
5.61	Clutch Assembly (replaces item 5.29 & 5.30 on 240v AC m/c's)	1
	NB:240v AC m/c's PCB have prefix 'PSKF'.	
	24v DC m/c's PCB have prefix 'SPRINT'.	

3000	Part	Quantity
6.00	OUTFEED CONVEYOR	
6.01		
6.02	Conveyor Mounting Bracket	2
6.03	Conveyor Belt Drive Rolls	3
6.04	Conveyor Drive Shaft	1
6.05	Conveyor Belt	1
6.06	Support Bar	2
6.07	Plate	2
6.08	Cup Bearing	2
6.09	Conveyor Belt Drive Rolls	3
6.10	Conveyor Front Shaft	1
6.11	Conveyor End Stop	1
6.12	Conveyor Table	1
6.13	Conveyor wheel	2
6.14	Spindle	1
6.15	Conveyor wheel shaft	1
6.16		
6.17		
6.18		
6.19		
6.20		
6.21		

7.00	New Knife Drive Assembly.	
7.01	Shaft	1
7.02		
7.03	Chain	1
7.04	Sprocket	1
7.05	Spring	1
7.06	Spring Retaining Collar	1
7.07	Timing Cam	1
7.08		
7.09	Shaft	1
7.10	Clutch	1
7.11	Sprocket	1
7.12		
7.13	Block	1
7.14	Collar	1
7.15	Tie Bar	1
7.16	Stub Shaft	1
7.17	Block	1
7.18	Block	1
7.19	Mounting Plate	1
7.20	Roller Microswitch	1
7.21	Spring Plate	1
7.22	Timing Cam	1
7.23	Roller Microswitch	1

Please quote machine model and serial number, with part number