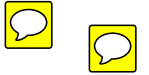


REVISED

4:34 pm, Sep 29, 2009

UCHIDA



Parts List

Uchida Paper Folding Machine

Model F-45N,F-43N (306A),F-30N,F-25N and F-15N

Screw, nuts, washers, to be used for folders

Description of parts (screw,E-ring, spring pin, etc.) illustrated

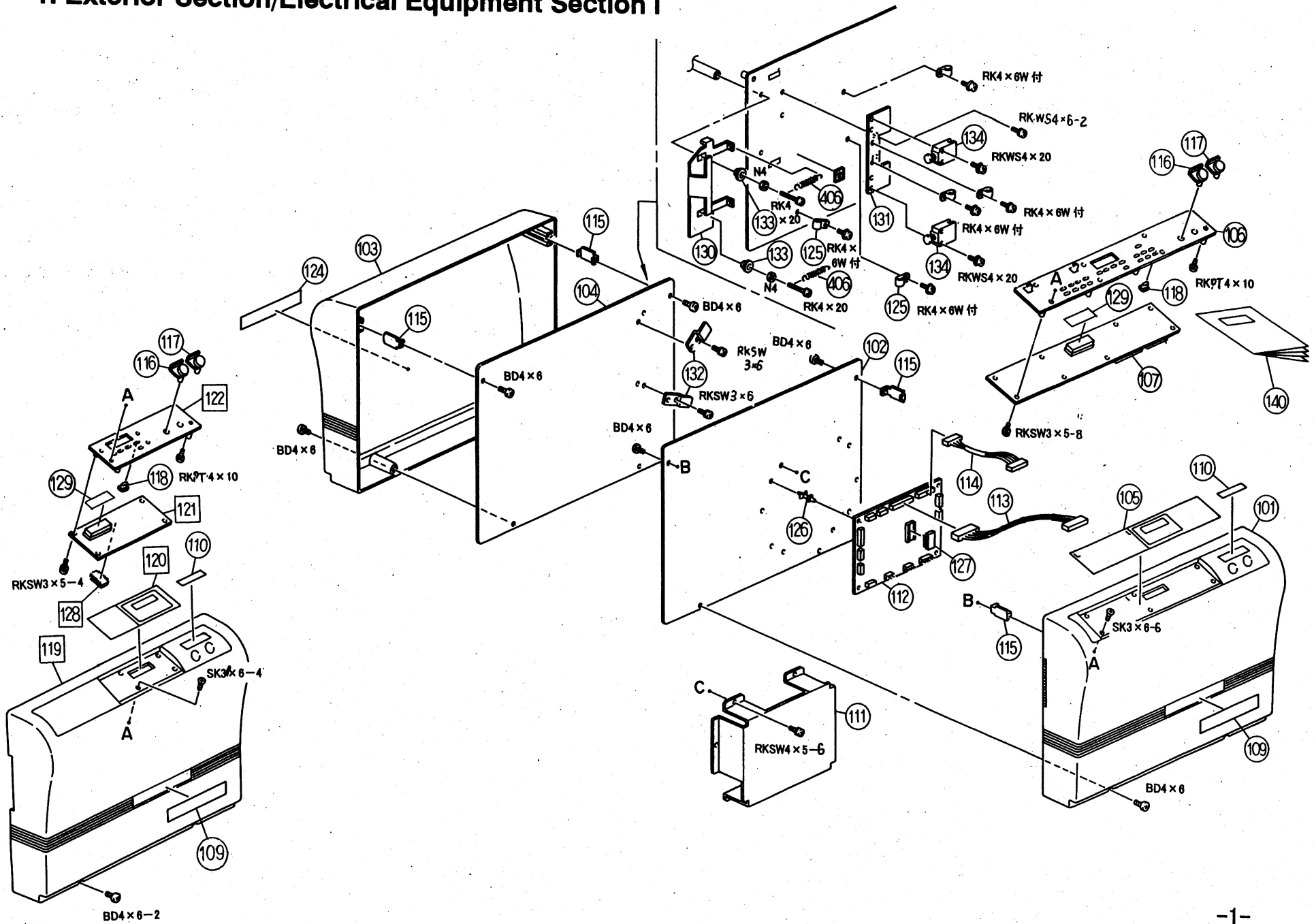
* Orders for screws, washers, etc. should be given based on a minimum lot of 30 per item to facilitate shipping.

(We ask that orders be given at one time for as many items as possible.)

Parts ref #	Parts Name	Size	Example:
RK	: Round head screw (30 pcs/set)	1-4mm 5mm or more	RKSW4x6-2 : Two round head screws with spring washer 4mm in diameter, 6mm long
RKSW	: Round head screw with spring washer (30 pcs/set)	1-4mm 5mm or more	RKWS4x8 : One round head screw with spring washer 4mm in diameter, 8mm long
RKWS	: Flat washer and round head screw with spring washer (30 pcs/set)		
HB	: Hexagon head screw (30 pcs/set)		HS4x6 : One hexagon socket set screw 4mm in diameter, 6mm long
SK	: Countersunk head screw (30 pcs/set)		
HS	: Hexagon socket set screw (30 pcs/set)		N, SW4 : One each of spring washer 4mm in diameter plus nut
BD	: Bind screw (30 pcs/set)		
TP	: Self-tapping screw (RKTP...pan head, SKTP...countersunk) (30 pcs/set)		SP3x20 : One spring pin 3mm in diameter, 20mm long
N	: Nut (30 pcs/set)	1-6mm 6mm or more	E4-2 : Two 4mm E rings
SW	: Spring washer (30 pcs/set)		
W	: Flat washer (30 pcs/set)		
SP	: Spring pin (30 pcs/set)	1-3mm 4mm or more	[Note] -Prices shown are unit prices for single parts. They do not include consumption tax.
E	: E-type stopper ring (E ring)	1-8mm	-The parts within boxes: are for F-30N, F-25N, and F-15N only.

1. Exterior Section/Electrical Equipment Section I	1
2. Electrical Equipment Section II	3
3. Paper Feed Table Section/Paper Guide Section	5
4. Drive Unit	8
5. Table 1 and 2 Section	10
6. Sewing Machine Table	15

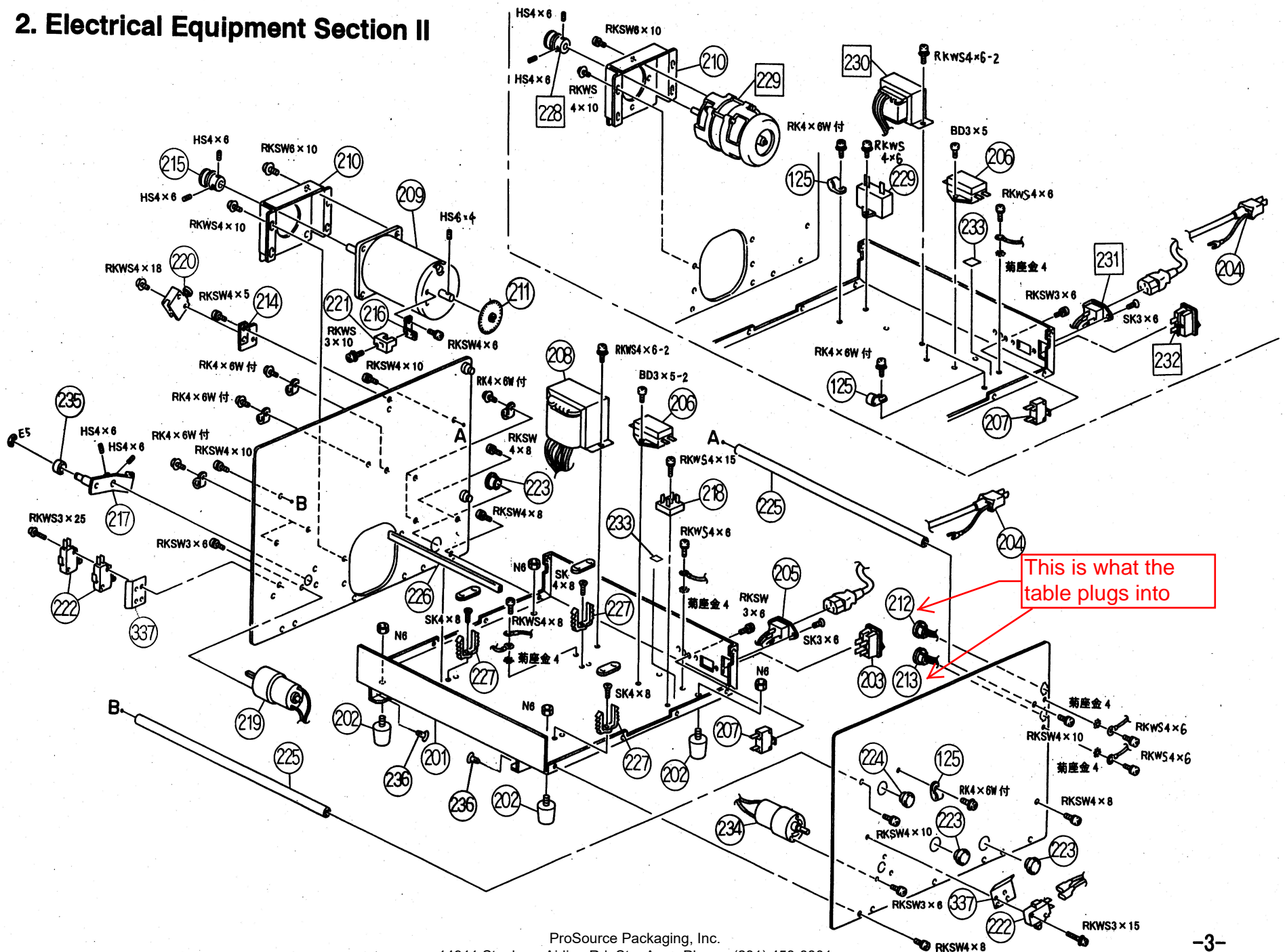
1. Exterior Section/Electrical Equipment Section I



1. Exterior Section/Electrical Equipment Section I

Fig. No.	Parts No.	Parts name	F45N	F43N	F30N	F15N	F25N	Remarks	Fig. No.	Parts No.	Parts name	F45N	F43N	F30N	F15N	F25N	Remarks
101	260509	Right side cover	1						122	260809	Board support			1	1		260512 4pieces
	260503	Right side cover		1						260819	Board support fitting w/o counter					1	260512 4pieces
102	260101	Right side plate	1	1					124	260543	Left side cover identification plate	1	1	1	1	1	
	260801	Right side plate			1	1	1		125	80731	Nylon clamp NK-7N	2	2	2	2	2	
103	260510	Left side cover	1	1	1	1	1		126	321855	Board stut	4	4				
104	260102	Left side plate	1	1					127	260784	PF20 21ROM	1	1				
	260802	Left side plate			1	1	1		128	260902	PF22 23 chip			1	1		
105	260520	F45N operation identification plate	1							260905	PF24 chip					1	
	260524	F43N operation identification plate		1					129	260838	Film	1	1	1	1	1	
106A	260623	Operation panel A'ssy	1					106,107,116-118	130	260442	Interlock doc A	1	1	1		1	only for CE
	260624	Operation panel A'ssy		1				106,107,116-118	131	260441	Interlock holder	1	1	1		1	only for CE
106	260539	Operation board mounitng plate	1					260512 8pieces	132	260444	Doc guard	2	2	2		2	only for CE
	260541	Operation board mounitng plate		1				260512 8pieces	133	145183	Lever center	2	2	2		2	only for CE
107	260701	Operation board	1	1					134	100720	Interlock swtich	2	2	2		2	only for CE
109	260530	UCHIDA identification plate	1	1	1	1	1		135	260443	Interlock doc B	2	2	2	1	2	only for CE
110	260511	Start identification plate	1	1	1	1	1		406	260128	Lift return SP	2	2	2		2	only for CE
111	260518-2	Main board cover	1	1													
112	260702	Control board	1	1					140	260614	F45N/F-43N Operation Manual	1	1				
113	260750	Harness (large) between	1	1						260615	F30N/F25N/F15N Operation Manual			1	1	1	
114	260751	the operationand control boards	1	1													
115	260507	Cover fitting	4	4	4	4	4										
116	260513-1	Start key top (orange)	1	1	1	1	1										
117	260513-2	Start key top (green)	1	1	1	1	1										
118	260514	Setting eky top	19	16	5	5	1										
119	260518	Right side cover			1	1	1										
	260813	F30N operation identification plate			1												
120	260827	F15N operation identification plate				1											
	260823	F25N operation identification plate					1										
121A	260625	Operation panel A'ssy			1	1		116-118, 121, 12, 128									
	260626	Operation panel A'ssy					1	116-118, 121, 122, 128									
121	260901	PF22?23KEY board			1	1											
	260904	PF24KEY board					1										

2. Electrical Equipment Section II



2. Electric Equipment Section II

Fig. No.	Parts No.	Parts name	F45N	F43N	F30N	F15N	F25N	Remarks	Fig. No.	Parts No.	Parts name	F45N	F43N	F30N	F15N	F25N	Remarks
201	260120	Rubber leg table	1	1	1	1	1		228	260811	Motor pulley AC			1	1	1	
202	51137	Rubber leg	4	4	4	4	4		229	260934	115V main motor A'ssy			1	1	1	
203	260915	Powe switch	1	1						260935	200V main motor A'ssy			1	1	1	
204	72806	Power cord for U.S.A.	1	1	1	1	1		230	260930	PF22 transformer110?A'ssy			1	1	1	
	72807	Power cord for Germany	1	1	1	1	1			260931	PF22 transformer120?A'ssy			1	1	1	
	72809	Power cord for Britain	1	1	1	1	1			260932	PF22 transformer CE?A'ssy			1	1	1	
	72810	Power cord for Austraila	1	1	1	1	1		231	260936	Inlet A'ssy			1	1	1	
205	260757	Inlet with harness	1	1					232	260919	Power switch			1	1	1	
206	PF1CE16	Noise filter	1	1	1	1	1		233	20289	Earth mark	1	1	1	1	1	
207	260708	Breaker 1A	1	1	1	1	1		234	260763	Paper ejection roller motor harness	1					
	260709	Breaker 2A	1	1	1	1	1		235	143032	Up and down lever A'ssy	1					143033,143102
208	260768	Transformer with harness 120V	1	1					236	67034	Canoe clip	2	2	2	2	2	
	260769	Transformer with harness 230V	1	1													
209	260755	Paper feed motor with harness	1	1													
210	260123	Motor plate	1	1	1	1	1										
211	260121	Shutter plate A'ssy	1	1				146066,260129									
212	260758	Table 1 control board harness	1	1													
213	260759	Table 2 control board harness	1	1					125	80731	Nylon clamp NK-7N			4	4	4	
214	260505	Cover switch mounting plate	1	1	1	1	1		337	250155	Microswitch insulating plate	2	2				
215	20061	Motor pulley	1	1													
216	260113	Photo sensor mounting plate	1	1													
217	260222	Lifting arm	1					260223,260224									
218	260756	Rectifier harness	1	1													
219	260762	Paper feed table motor harness	1														
220	260917	Safety switch	1	1	1	1	1										
221	260778	Built-in photo sensor	1	1													
222	100351	Micro switch	3														
	100346	Micro switch		1													
223	260916	One touch bush	3	3	2	2	2										
224	260776	One touch bush	1	1													
225	20116	Reinforcing stay	2	2	2	2	2										
226	20012	Frame rubber	1	1	1	1	1										
227	260775	Cable clamp	3	3													

3. Paper Feed Table Section/Paper Guide Section

Fig. No.	Parts No.	Parts name	F45N	F43N	F30N	F15N	F25N	Remarks	Fig. No.	Parts No.	Parts name	F45N	F43N	F30N	F15N	F25N	Remarks
301	260501	Safety cover	1	1	1	1	1		325	260255	Table lever angle	1					
302	260241	Lower paper guide A'ssy	1	1					326	20075	Spring hook	1	2	2	2	2	
	260236	Lower paper guide A'ssy			1	1	1		327	20076	Table SP	1	1	1	1	1	
303	260244	Upper paper A'ssy	1	1					328	260544	Cover switch lever A'ssy	1	1	1	1	1	
304	260247	Paper feed photo cover	1	1					329	20040	? 6 metal	1	1	1	1	1	
305	260301	Photo sensor mounting tray	1	1	1	1	1		330	260215	Paper guide (right) A'ssy	1	1	1	1	1	
306	20222	Guide mounting angle A	6	6	6	6	6		331	260216	Paper guide (left) A'ssy	1	1	1	1	1	
307	260127	Static eliminator bar	1	1	1	1	1		332	260258	Paper guide knob	2	2	2	2	2	
308	260305	Upper paper ejection guide	1						333	20099	Brake rubber	1	1	1	1	1	
309A	260627	Separator shaft A'ssy	1	1	1	1	1	309-313	334A	260630	Paper feed table A'ssy	1	1				330-342,344-347
309	260237	Separator shaft	1	1	1	1	1			260631	Paper feed table A'ssy			1	1	1	330-340,365
310	20039	Separator holder	1	1	1	1	1		334	260208	Paper feed table	1	1				
311	70106	Separator spacer	1	1	1	1	1			260837	Paper feed table			1	1	1	
312	70105	Separator holder	1	1	1	1	1		335	20444	Microswitch	1	1	1	1	1	
313	70604	Paper separator	1	1	1	1	1		336	20426	Actuator	1	1	1	1	1	
314A	260628	Auxiliary table A'ssy	1	1	1	1	1	314,315,322	337	250155	Microswitch insulating plate	2	2	2	2	2	
	260629	Auxiliary table A'ssy for U.S.A.	1	1				314,315,322,374,375	338	260213	Paper feed table tray	1	1	1	1	1	
314	260226	Auxiliary table	1	1	1	1	1		339	20071	Paper feed slant adjuster	1	1	1	1	1	
	260262	Auxiliary table A'ssy for U.S.A.	1	1	1	1	1	for U.S.A.	340	20100	Slant adjustmen knob	1	1	1	1	1	
315	260261	Slant adjustment plate	1	1	1	1	1		341	260250	Rack holder	2	2				
316	20105	Rubber magnet	2	2	2				342	260251	Rack	2	2				
317A	20843	Auxiliary paper guide A'ssy	1	1	1			316,317,319,321	343	260304	Guide U paper ejection		1	1	1	1	
317	20103	Auxiliary paper guide (R)	1	1	1				344	260212	Paper guide slide guide gear	1	1				
318A	20844	Auxiliary paper guide (L) A'ssy	1	1	1			316,318,320,321	345	260249	Photograph sensor lever	1	1				
318	20104	Auxiliary paper guide (L)	1	1	1				346	260214	Paper detection board cover	1	1				
319	20203	Paper holder lever (R) A'ssy	1	1	1				347	260705	Paper detection board A'ssy(mm)	1	1				
320	20204	Paper holder lever (L) A'ssy	1	1	1					260706	Paper detection board A'ssy(inch)	1	1				for U.S.A.
321	20034	F roller holder	2	2	2				348	20041	Separatr SP	1	1	1	1	1	
322	260257	A3 scale	1	1	1	1	1		349	220114	Stopper rubber	4	4	4	4	4	
	53018	Gauge for paper guide	1	1	1	1	1	for U.S.A.		260765	Paper detection board (mm) with harness	1					
323	260220	Paper feed table shaft	1						350	260765A	Paper detection board (mm) with harness		1				
	20069	Paper feed table shaft		1	1	1	1			260766	Paper detection board (inch) with harness		1				for U.S.A.
324	260221	Table lever	1						351	20433	Wire sticker	2	2	2	2	2	

3. Paper Feed Table Section/Paper Guide Section

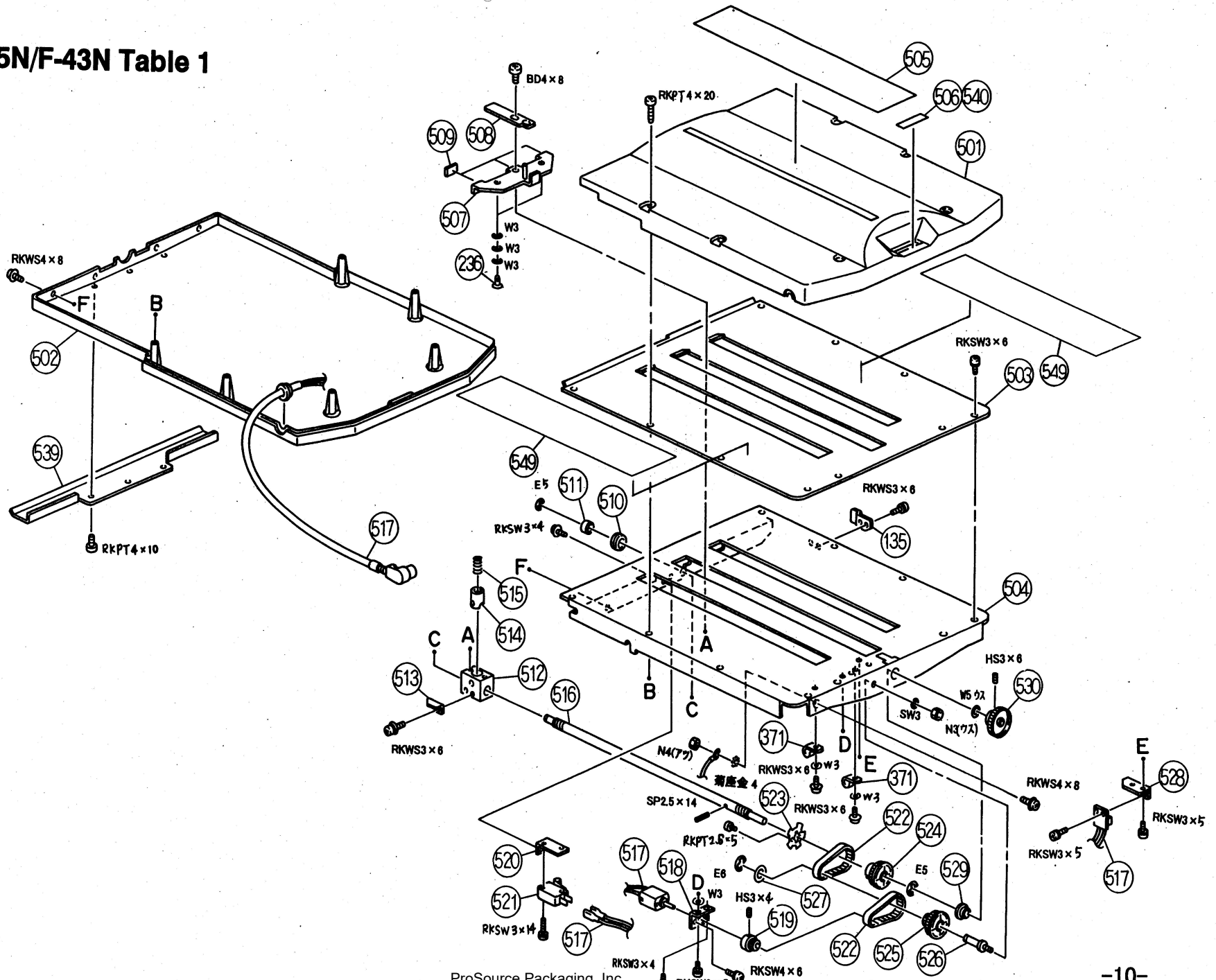
Fig. No.	Parts No.	Parts name	F45N	F43N	F30N	F15N	F25N	Remarks
352	260912	Paper feed luminous sensor	2	2	1	1	1	
353	260913	Paper feed light-intercepting sensor	2	2	1	1	1	
354	260752	Paper feed photo harness	1	1				
355	260753	Paper feed photo harness	1	1				
356	260254	Table lever A'ssy		1	1	1	1	
357A	260632	Paper feed table lever A'ssy		1	1	1	1	357-360,362
357	20077	Paper feed tavle lever		1	1	1	1	20078
358	215014	Table lever holder		1	1	1	1	
359	215015	Table lever roller		1	1	1	1	
360	20081	Paper feed table lever SP		1	1	1	1	
362	20080	Paper feed table lever holder		1	1	1	1	
363	260833	Separator identification plate				1		
364	260810	Wire stopper B			1	1	1	
365	260820	Guide			2	2	2	
366	20223	Upper paper guide A			1	1	1	
367	260527	Roller position indication		1	1	1	1	
	260548	Roller position indication		1	1	1	1	for U.S.A.
368	260926	Paper feed clutch harness A'ssy			1	1	1	
369	260927	Paper ejection photo sensor harness A'ssy			1	1	1	
370	260925	Paper micro harness A'ssy			1	1	1	
371	51062	Nylon clamp NK-4N	2	2				
372	100346	Micro switch		1				
373	20014	? 10 mental	2	2	2	2	2	
374	20189	Sensor cover	1	1	1	1	1	for U.S.A.
375	20442	Micro photo senser KR1207	1	1	1	1	1	for U.S.A.

anything over 8 1/2
x 11 covers this
sensor

4. Drive Unit

Fig. No.	Parts No.	Parts name	F45N	F43N	F30N	F15N	F25N	Remarks	Fig. No.	Parts No.	Parts name	F45N	F43N	F30N	F15N	F25N	Remarks
401	260109	Bearing holder	4	4	4	4	4		433	20523	V belt	1	1	1	1	1	
402	260110	Bearing strap	2	2	2	2	2		434	260203	Clutch bracket	1	1	1	1	1	
403	260108	Lift cam	2	2	2	2	2		435	260240	Clutch shaft	1	1	1	1	1	
404	260114	Lift cam spring lever	2	2	2	2	2		436	145414	Sintered metal B-F6-45	2	2	2	2	2	
405	20029	Holder roller SP	2	2	2	2	2		437	260105	Paper ejection pullet center	1	1	1	1	1	
406	260128	Lift return SP	2	2	2	2	2		438	20017	Paper ejection gear	1	1	1	1	1	
407	260131	F roller holder (R)	1	1	1	1	1	260118, 260710	439	260115	Paper feed gear A'ssy	1	1	1	1	1	260116,260124,260201,
408	260132	F roller holder (L)	1	1	1	1	1	260118, 260710									260202,20054 (2 pieces)
409	260111	Lift cam lever right	1	1	1	1	1		440	260133	Paper ejection table A'ssy	1	1	1	1	1	
410	260112	Lift cam lever left	1	1	1	1	1		441	260313	Paper ejection lower guide	1	1	1	1	1	
411	260130	cam lever sheet	2	2	2	2	2		442	260517	Rear cover	1	1	1	1	1	
412	260311	Paper ejection arm A'ssy	1					260224, 260311,260312	443	260518-1	Wire stopper	1	1				
413	260107	Holder roller	2	2	2	2	2	51009 2 pieces	444	260309	Paper ejection roller lever	1					
414	260117	F roller	1	1	1	1	1		445	260318	Paper ejection table insulating plate	2	2	2	2	2	
415	260106	Center roller	1	1	1	1	1		446	20018	Speed reduction gear	2	2	2	2	2	
416	260119	Interceptor	1	1	1	1	1		447	20033	Interceptor plate	1	1	1	1	1	
417	260126	Interceptor spring	2	2	2	2	2		448	20023	Center roller pulley	1	1	1	1	1	
418	70608	Paper feed roller	3	3	3	3	3		449	20035	F roller SP	2	2	2	2	2	
419	260207	Auxiliary paper feed roller	2	2	2	2	2		450	260205	Paper feed gear	1	1	1	1	1	
420	70601	Paper feed rubber roller	1	1	1	1	1		451	145403	Paper feed clutch	1	1	1	1	1	
421	145234	Paper feed shaft SP collar	2	2	2	2	2		452	260103	Paper feed puller center	1	1	1	1	1	
422	145233	Paper feed shaft SP	1	1	1	1	1		454	260711	Bearing with snap 6900ZNR	2	2	2	2	2	
423	145232	Paper feed bearing	1	1	1	1	1		455	260807	Separator OFF lever					1	
424	260239	Paper feed shaft	1	1	1	1	1		456	260805	Roller cover for single folding					1	
425	260306	Paper ejection shaft	1	1	1	1	1		457	146067	Shutter plate boss	1	1	1	1	1	
426	260320	Paper feed conveying belt	2	2	2	2	2		458	145417	Sintered metal B-F10-9	2	2	2	2	2	
427	260302	Lower paper ejection roller	4	4	4	4	4		459	260201	Idler pulley for paper feed	1	1	1	1	1	20052,20054 (2 pieces)
428	20020	Lower paper ejection roller	1	1	1	1	1		460	20014	? 10 metal	2					
429	260307	Roller moving shaft	1						125	80731	Nylon clamp NK-7N	1	1	1	1	1	
430	260308	Paper ejection roller holder	1						236	67034	Canoe clip	2	2	2	2	2	
431A	260633	Paper ejection U roller shaft A'ssy	1	1	1	1	1	431,432	306	20222	Guide fitting angle A	2	2	2	2	2	
431	260303	Paper ejection U roller shaft	1	1	1	1	1		371	51002	Nylon clamp NK-4N	2	2				
432	20117	Paper ejection roller	2	2	2	2	2										


5. F-45N/F-43N Table 1



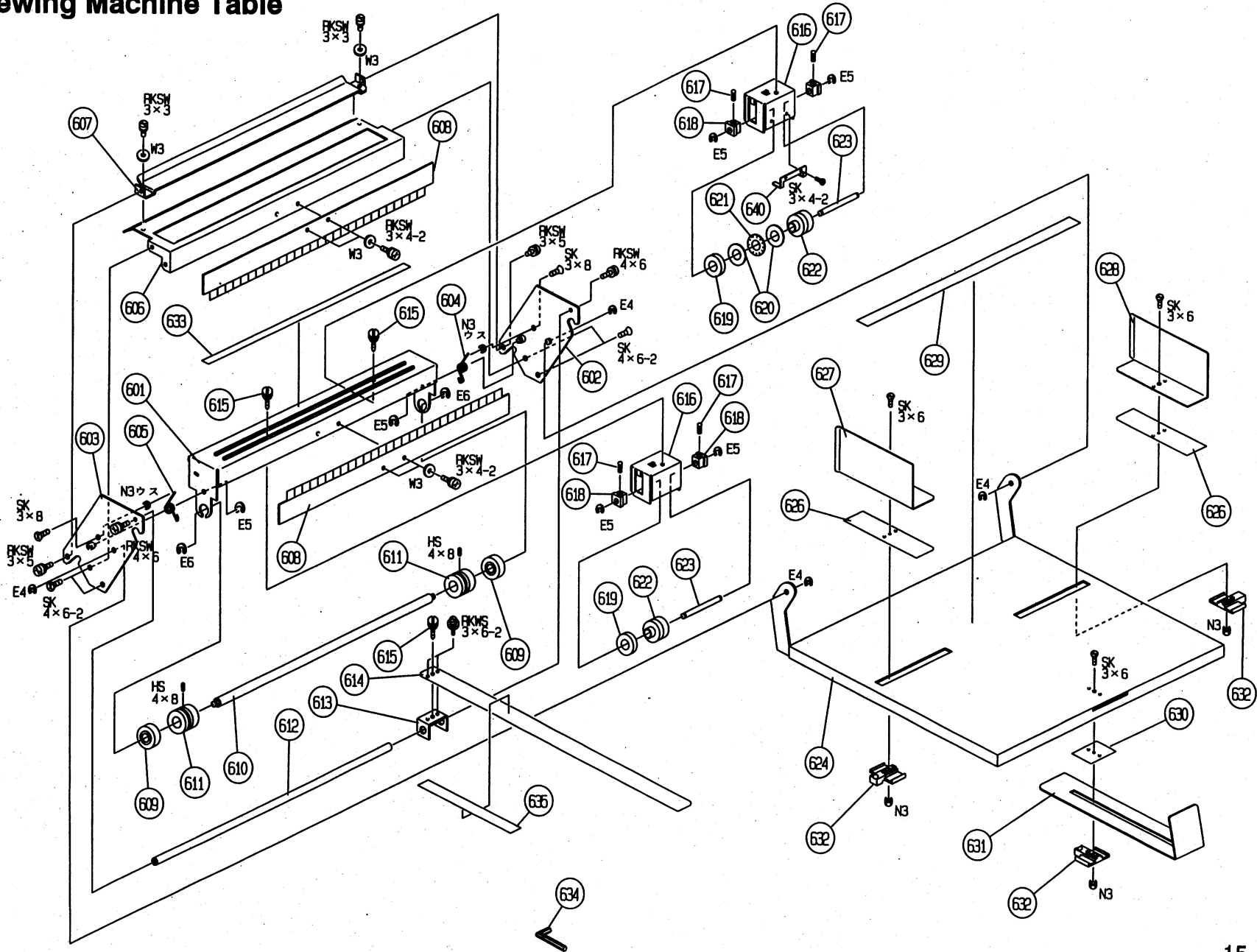
5. Table 1 and 2 Section

Fig. No.	Parts No.	Parts name	F45N	F43N	F30N	F15N	F25N	Remarks	Fig. No.	Parts No.	Parts name	F45N	F43N	F30N	F15N	F25N	Remarks
501A	260635	Table 1 A'ssy	1	1				501-505,507-530, 539,540,549,371	514	20139	Half nut	2	2	2	1	2	
	260636	Table 2 A'ssy (A.)	1	1				501-505,507-530, 539,540,549,371	515	20149	Halfnut SP	2	2	2	1	2	
								503-505,507-512,	516	260406	Table 1 screw	1	1	1		1	
									517A	260648	Table 1 photo board harness	1	1				517-519
									517	260760	Table 1 photo board harness	1	1				
	260638	Table 1 A'ssy			1		1	514-516,529,540, 542,544,546-549	518	260409	Screw-operating motor mounting plate	2	2				
								503-505,507-512,	519	260417	Motor pulley	2	2				
									520	260423	Stopper original position LS tray	2	2				
	260639	Table 1 A'ssy (for U.S.A.)			1		1	514-516,529,540, 542,544,546-549	521	20425	Lead micro switch	2	2				
									522	260418	Timing belt	4	4				
501	260429	Table 1 cover (upper)	1	1					523	260412	Stopper shatter	2	2				
502	260430	Table 1 cover (bottom)	1	1					524	260411	Stopper screw gear	2	2				
503	260401	Table 1 (upper)	1	1	1		1		525	260415	Idler pulley	2	2				
504	260402	Lower table 1	1	1					526	260414	Idler center	2	2				
	260816	Lower table 1			1		1		527	260416	Idler puller washer	2	2				
505	260434	Table 1 folding position gauge	1	1	1		1		528	260420	Stopper board mounting plate	2	2				
	260449	Inch size 1 folding gauge	1	1	1	1	1	for U.S.A.	529	260408	Screw bearing	2	2	2	1	2	
506	260445	Fine adjustment knob display 1	1	1	1		1		530	260428	Table fine adjustment knob (large)	2	2				
507A	260641	Table 1 stopper A'ssy	1	1				507-509,549	531A	260650	Table 2 A'ssy	1	1				507,509-515,518-535, 537,538,540,549,371
	260642	Table 2 stopper A'ssy	1	1				507,509,549									
	260643	Table stopper A'ssy			1		1	507-509,548,549		260651	Table 2 A'ssy?(for U.S.A.)	1	1				507,509-515,518-535, 537,538,540,549,371
	260644	Table stopper A'ssy			1	1	1	507,509,548,549									537,538,540,549,371
507	260424	Stopper plate	2	2				260426									507,509-512,514,515, 529,533-535,537,540,
	260424	Stopper plate			2	1	2			260653	Table 2 A'ssy			1		1	529,533-535,537,540, 542,544-549
508	260425	Push plate	1	1	1		1										507,509-512,514,515, 529,533-535,537,540,
509	260436	Stopper cushion rubber	6	6	6	3	6										542,544-549
510	20431	Glomet bush	2	2	2	1	2			260654	Table 2 A'ssy?(for U.S.A.)			1		1	529,533-535,537,540, 542,544-549
511	20079	Guide push	2	2	2	1	2										
512A	260645	Stopper slider A'ssy	2	2				512-515		260656	Table 2 A'ssy				1		507,509-512,514,515,529, 533-535,537,540-549
	260646	Stopper slider A'ssy			2	1	2	512,514,515,542,547									
512	260410	Stopper slider	2	2						260657	Table 2 A'ssy?(for U.S.A.)				1		507,509-512,514,515,529, 533-535,537,540-549
	260836	Stopper slider			2	1	2										
513	20148	Stopper doc	2	2					531	260431	Table 2 cover up	1	1				

5. Table 1 and 2 Section

Fig. No.	Parts No.	Parts name	F45N	F43N	F30N	F15N	F25N	Remarks
532	260432	Lower table 2 cover	1	1				
533	260403	Upper table 2 cover	1	1	1	1	1	
534	260404	Lower table 2	1	1				
	260818	Lower table 2			1	1	1	
535	260435	Table 2 folding position gauge	1	1	1		1	
	260450	Inch size single folding gauge	1	1	1	1	1	for U.S.A.
536	260446	Fine adjustment knob display 2	1	1	1	1	1	
537	260407	Table 2 screw	1	1	1	1	1	
538A	260659	Table 2 photo board harness A'ssy	1	1				518,519,538
538	260761	Table 2 photo board harness 	1	1				
539	260508	Roller cover	1	1				
540	260447	Fine adjustment knob indication for export	2	2	2	1	2	
541	260821	Table 2 folding position gauge				1		
542	260804	Halfnut lever			2	1	2	
543	260806	Table 1 stop plate				1		
544	100710	Hand caution label			2	1	2	
545	100707	Roller caution label			3	3	3	
546	260835	Fine adjustment knob			2	1	2	
547	260808	Halfnut lever collar			2	1	2	
548	20155	Fold position indication identification plate			2	1	2	
549	260452	Table 1 sheet	2	2				
550	260453	Table 2 sheet	2	2				
236	67034	Canoe clip	4	4	4	2	4	
371	51062	Nylon clump NK-4N	4	4				

6. Sewing Machine Table



6. Sewing Machine Table

Fig No.	Parts No.	Parts name	Qty	Remarks	Fig. No.	Parts No.	Parts name	Qty	Remarks
601	260955	Cutter slide angle	1		631	260958	Paper ejection guide plate	1	
602	260956	Sewing machine side plate (R)	1		632	55113	Guide	3	
603	260957	Sewing machine side plate (L)	1		633	53018	Gauge for paper guide	1	
604	260966	Slide angle return SP (R)	1		634	260972	Wrench bar 212-2J	1	
605	260967	Slide angle return SP (L)	1		635	260973	Caution label	1	
606	260952	Sewing machine table	1						
607	260959	Upper paper ejection guide	1						
608	20999	Static eliminating bar	2						
609	260961	Drive roller	2						
610	260965	Cutter base shaft	1		640	260970	Cutter cover	1	
611	260964	Cutter base roller	2						
612	260969	Ejected paper holder shaft	1						
613	260968	Ejected paper holder fixing angle	1						
614	20996	Paper ejection guide	1						
615	20978	Screw with knob	3						
616A	260660	Cutter holder A'ssy	2	616-623					
	260661	Cutter holder A'ssy (for U.S.A.)	1	616-623,640					
616	260954	Cutter holder	2						
617	145120	Tension SP scale	4						
618	145117	Bearing A	4						
619	20338	Knob	2						
620	20340	Washer for sewing machine cutter	2						
621	20339	Perforations wheel cutter (4mm)	1						
	20355	Perforations wheel cutter (2mm)	1						
622	260963	Cutter shaft holder roller	2	20353 2 pieces					
623	260962	Cutter roller shaft	2						
624	260960	Paper ejection table	1						
626	20993	Paper ejection guide PP	2						
627	20991	Paper ejection guide left	1						
628	20992	Paper ejection guide right	1						
629	20101	A3 scale	1						
630	20995	Paper ejection trai PP	1						

