

UCHIDA

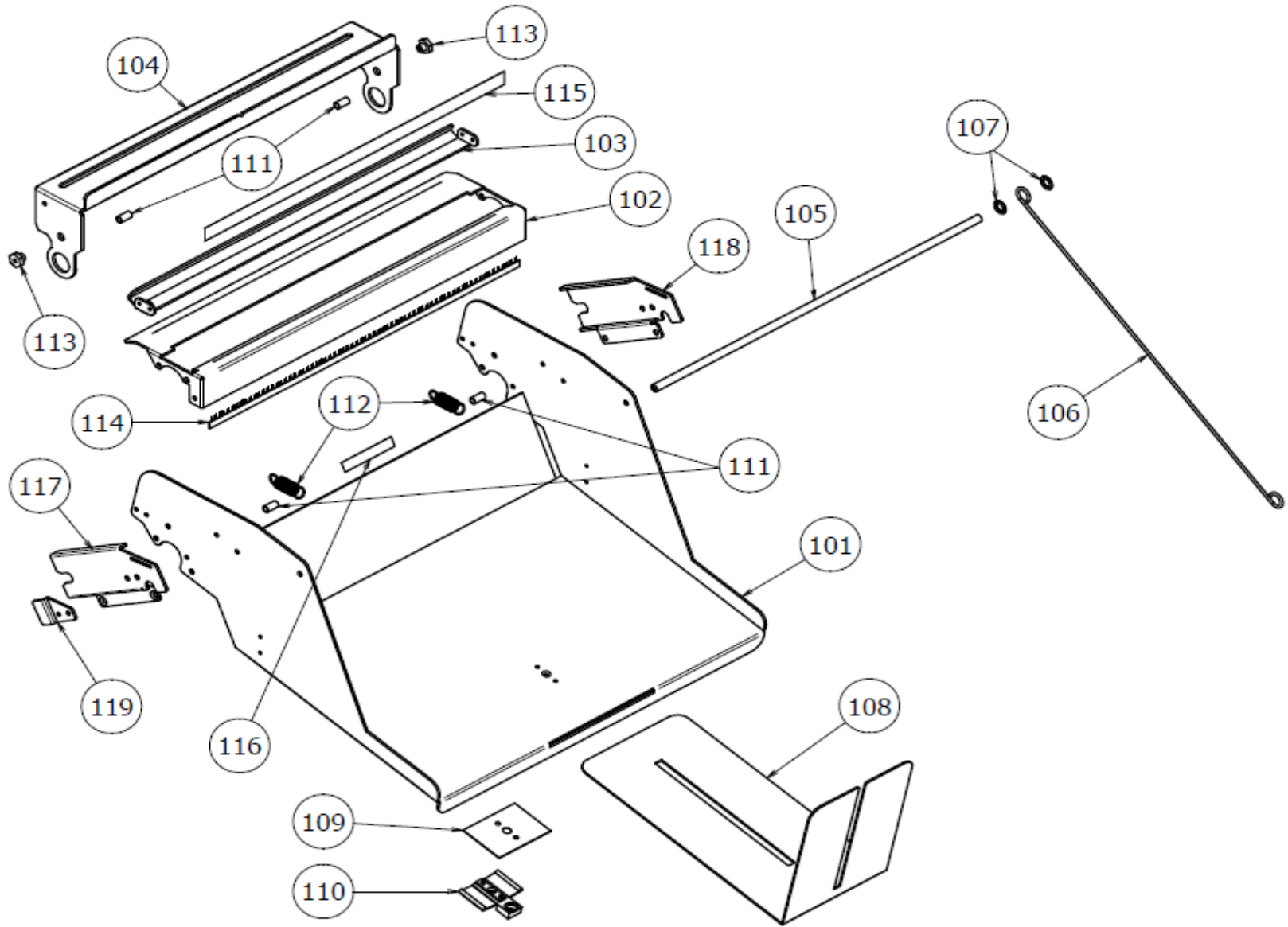
Parts List

Perforation & Scoring Unit
for
Paper Folders

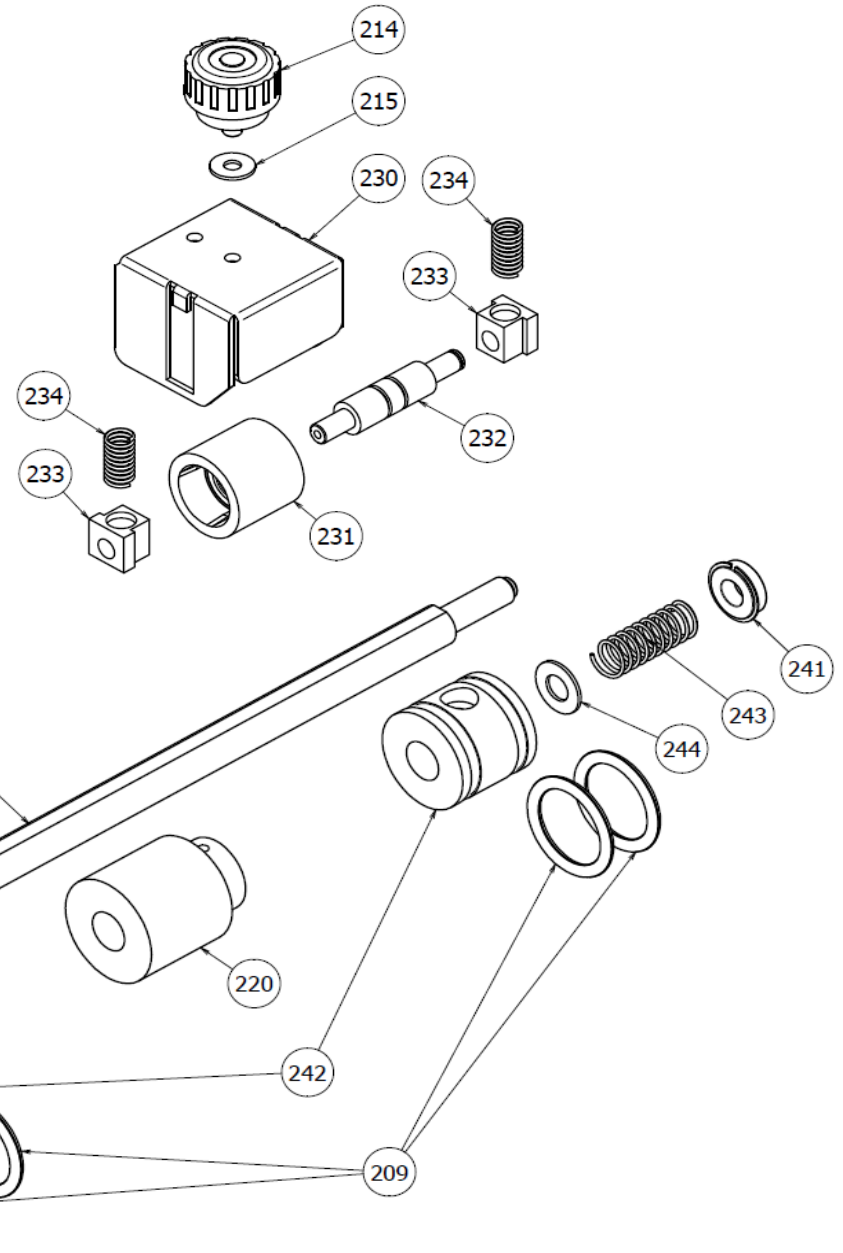
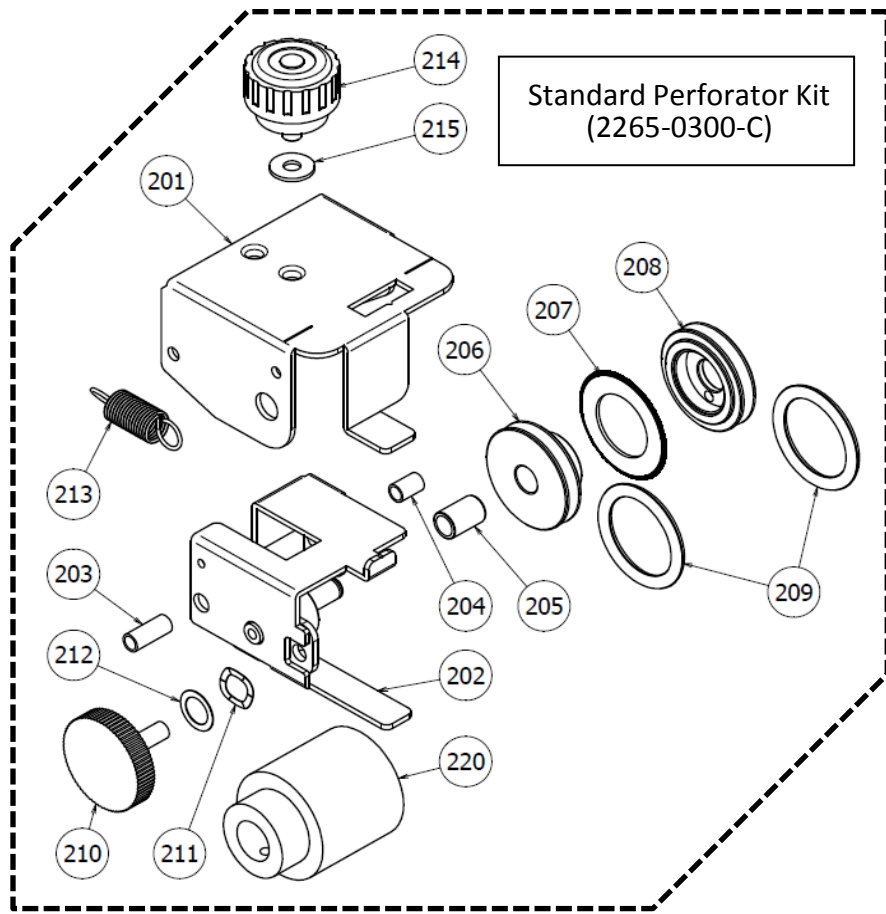
'16.09.21

1. Exploded view	
1-1. Base Unit	3
1-2. Perforating Unit	4
2. Parts List	5
3. Thick-Paper Perforating Unit (Option)	
3-1. Exploded view	6
3-2. Parts List	7
4. Slim-Perforating Unit (Option)	
4-1. Exploded view	8
4-2. Parts List	9
5. Scoring Unit (Option)	
5-1. Exploded view	10
5-2. Parts List	11

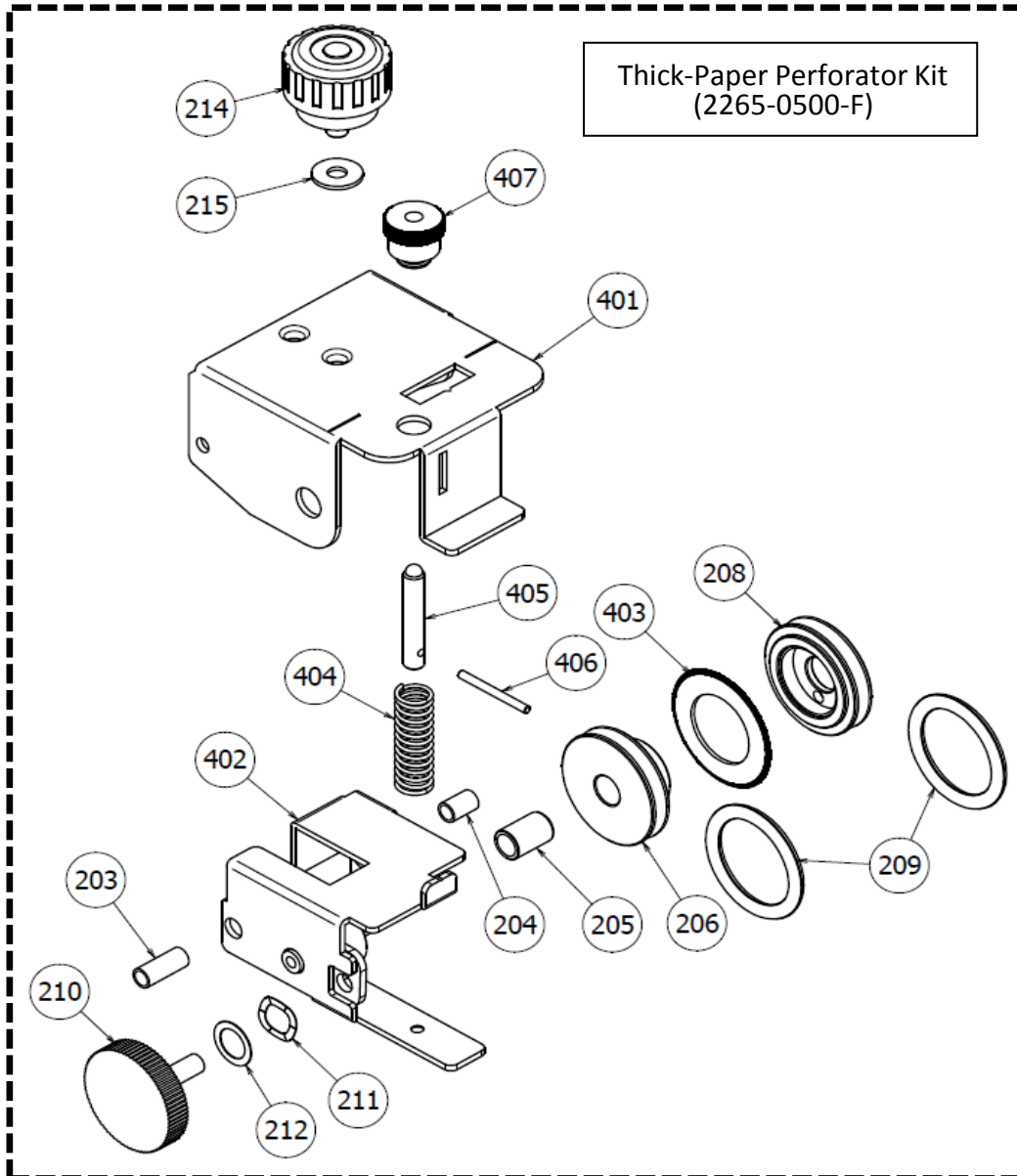
1-1. Base Unit



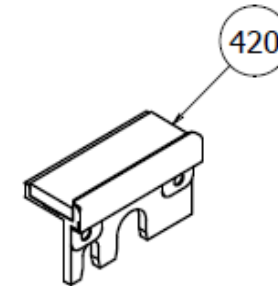
1-2. Perforating Unit



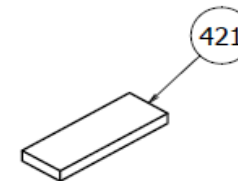
3-1. Thick-Paper Perforating Unit



Separator rubber ASSY
for Thick-Paper
(1265-0161A)



Separator rubber
for Thick-Paper
(0145-1810)

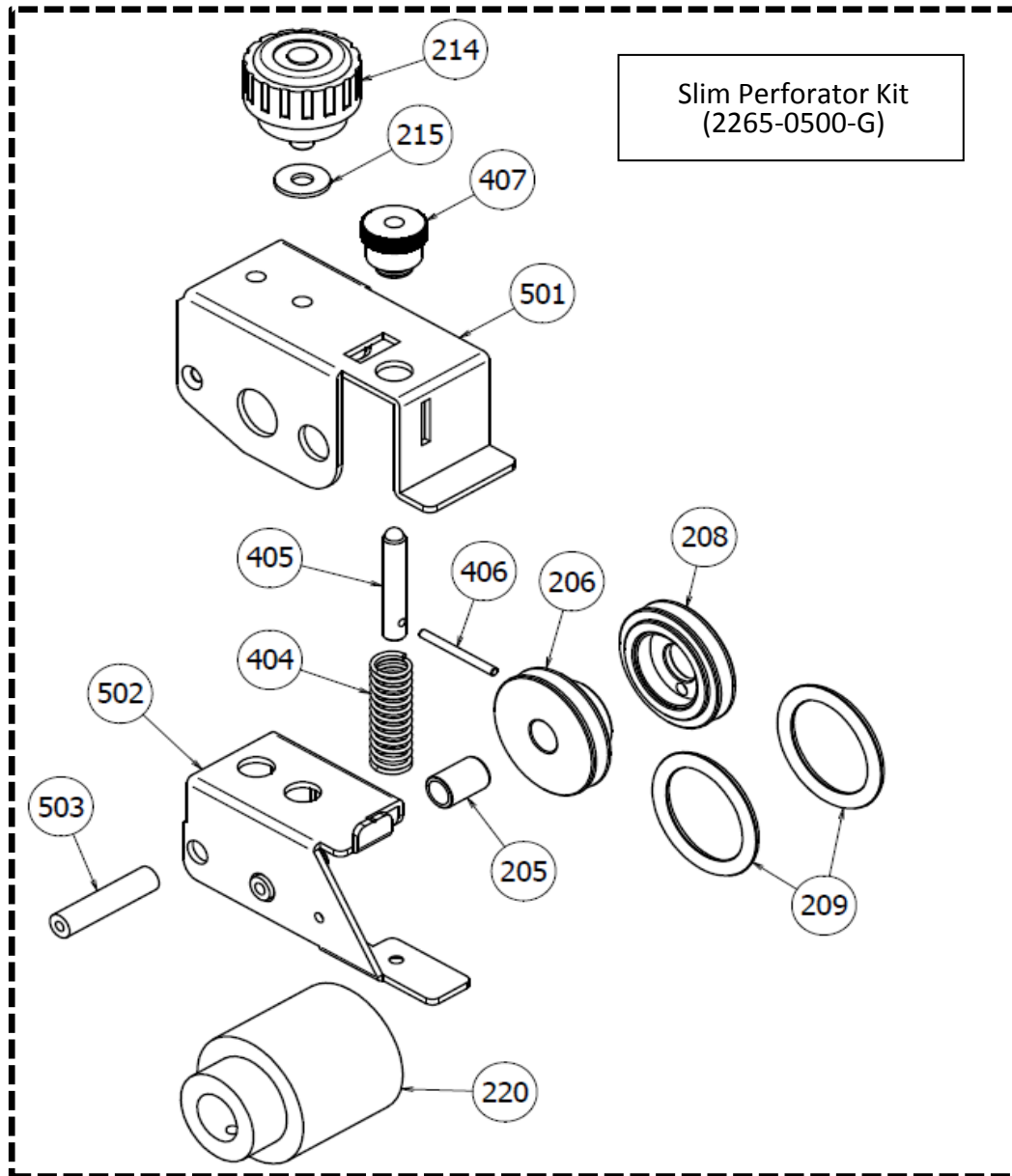


3-2. Parts List: Thick-Paper Perforating Unit

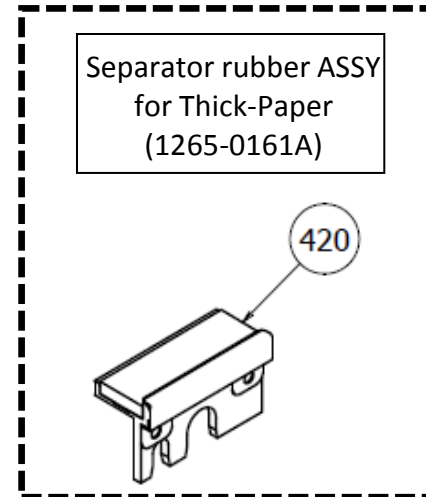
Aug.31.2016

No.	Parts No.	Parts name	QTY	Remarks	No.	Parts No.	Parts name	QTY	Remarks
	2265-0500-F	Thick-Paper Perforator Kit		Configuration by the following parts.					
203	1265-0110	Spacer L13	1						
204	1265-0109	Spacer L8	1						
205	1265-0215	Polymer bearing	1						
206	1265-0206	Cutter boss	1						
208	1265-0207	Fixing wheel	1						
209	0261-0307	Rubber ring NPS24	2						
210	1265-0030	Adjustment knob	1						
211	1265-0108	Waved washer Φ8	1						
212	1265-0107	Polystyrene washer	1						
214	1265-0033	Thumb screw_Misumi	1						
215	1265-0112	Set-washer	1						
401	1265-0152	Perforator chassis for Thick-paper	1						
402	1265-0153	Release lever ASSY for Thick-Paper	1						
	1265-0154	Release lever for Thick-Paper	1	Component parts of No.402.					
	1265-0018	Perforator shaft	1						
	1265-0029	Adjustment nut	1						
403	2265-0181	Perforating blade for Thick-Paper	1						
404	1265-0159	Pressure SP	1						
405	1265-0209	Pressure control screw	1						
406	1265-0217	Reference pin	1						
407	1265-0208	Pressure control nut	1						
420	1265-0161A	Separator rubber ASSY for Thick-Paper	1						
(421)	0145-1810	Separator rubber for Thick-Paper	1	Component parts of No.420.					
	0264-0078	Separator holder	1						
	0264-0081	Separator fitting plate	1						
421	0145-1810	Separator rubber for Thick-Paper	1						

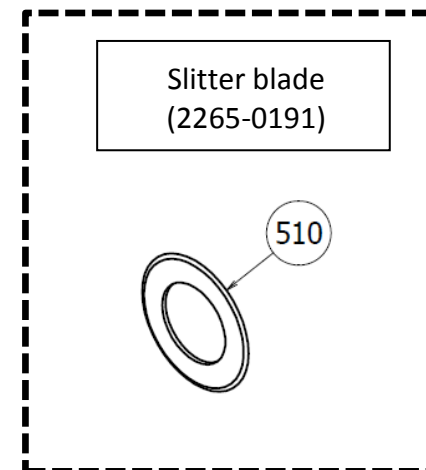
4-1. Slim Perforating Unit



Slim Perforator Kit
(2265-0500-G)



Separator rubber ASSY
for Thick-Paper
(1265-0161A)



Slitter blade
(2265-0191)

5-1. Scoring Unit

