

**UCHIDA**

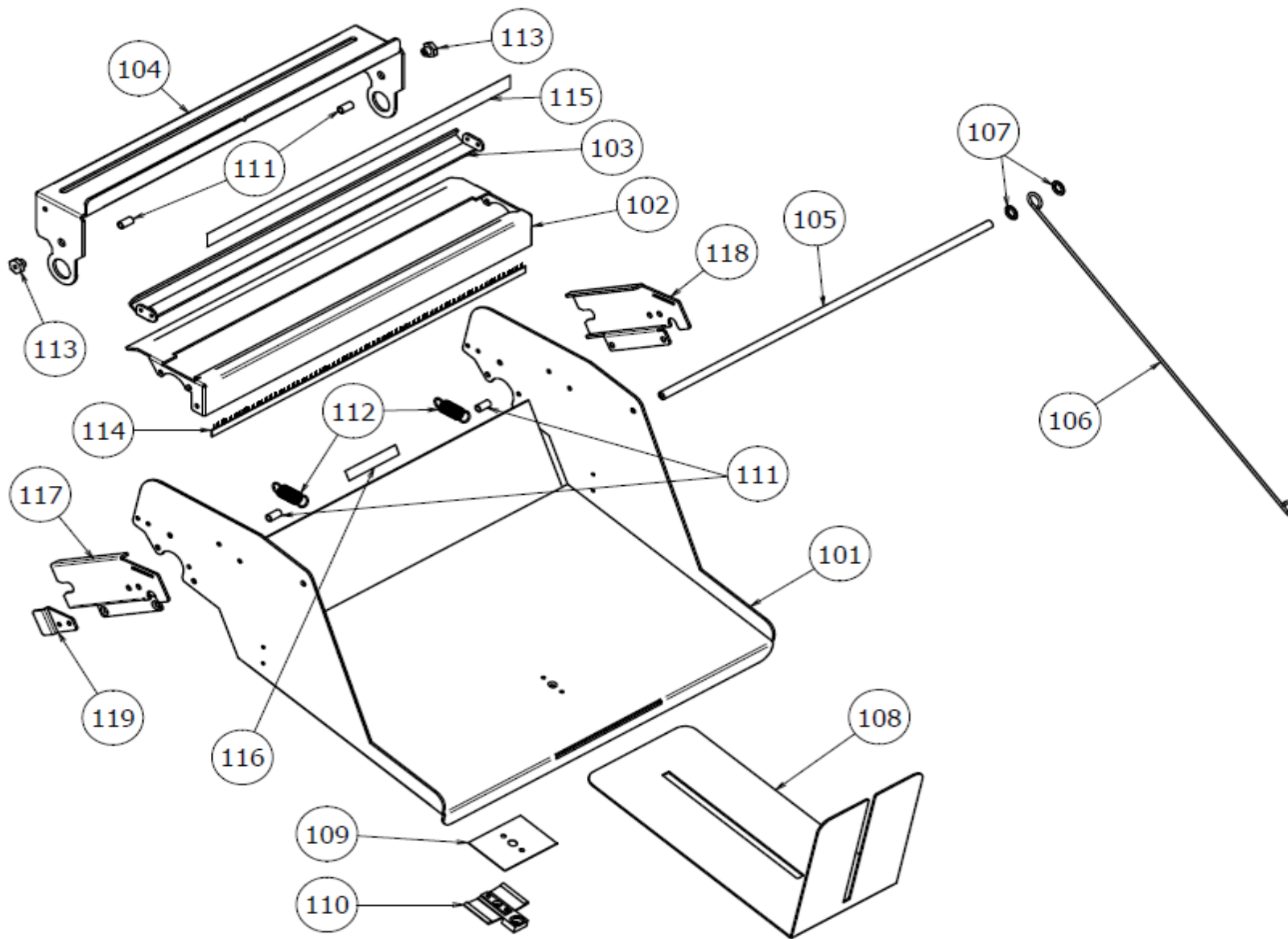
## Parts List

Perforation & Scoring Unit  
for  
Paper Folders

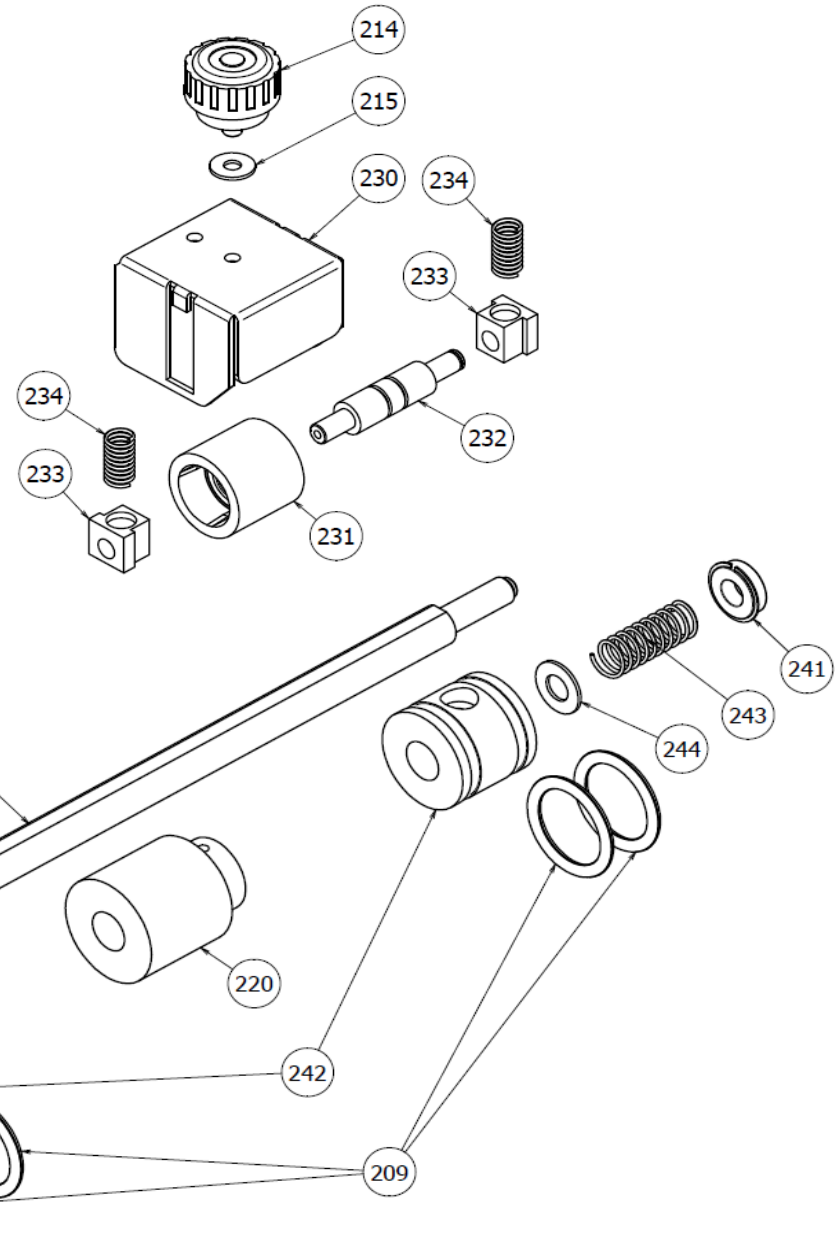
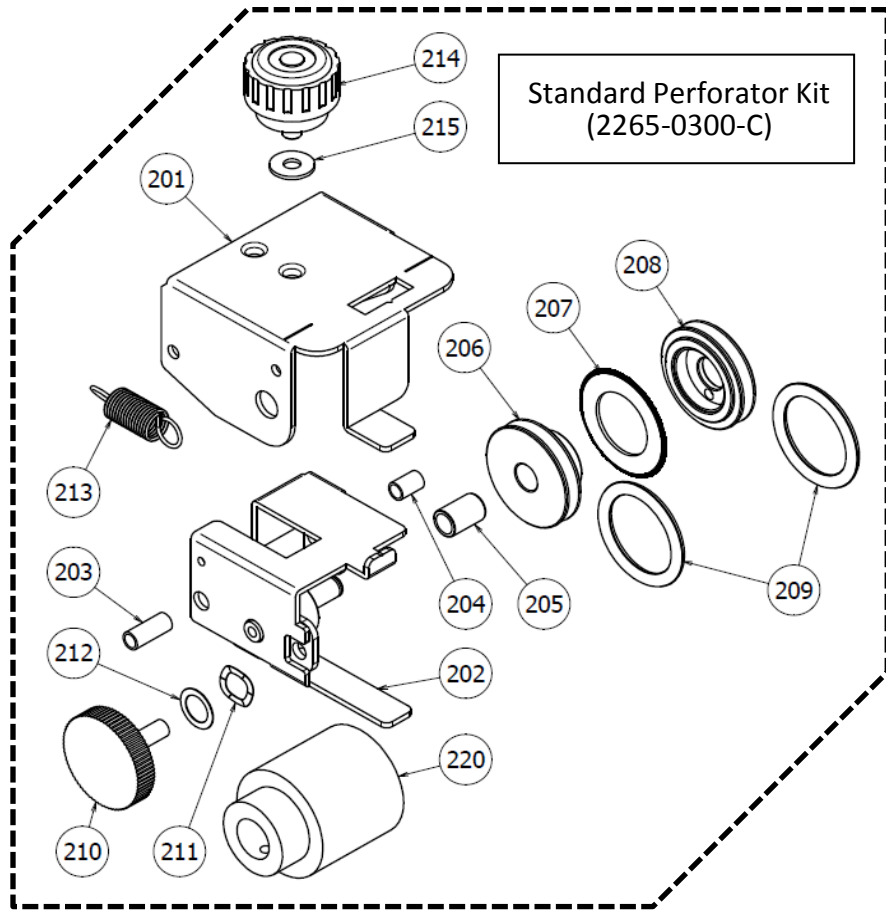
'16.09.21

<b>1. Exploded view</b>	
1-1. Base Unit .....	3
1-2. Perforating Unit .....	4
<b>2. Parts List .....</b>	<b>5</b>
<b>3. Thick-Paper Perforating Unit (Option)</b>	
3-1. Exploded view .....	6
3-2. Parts List .....	7
<b>4. Slim-Perforating Unit (Option)</b>	
4-1. Exploded view .....	8
4-2. Parts List .....	9
<b>5. Scoring Unit (Option)</b>	
5-1. Exploded view .....	10
5-2. Parts List .....	11

1-1. Base Unit

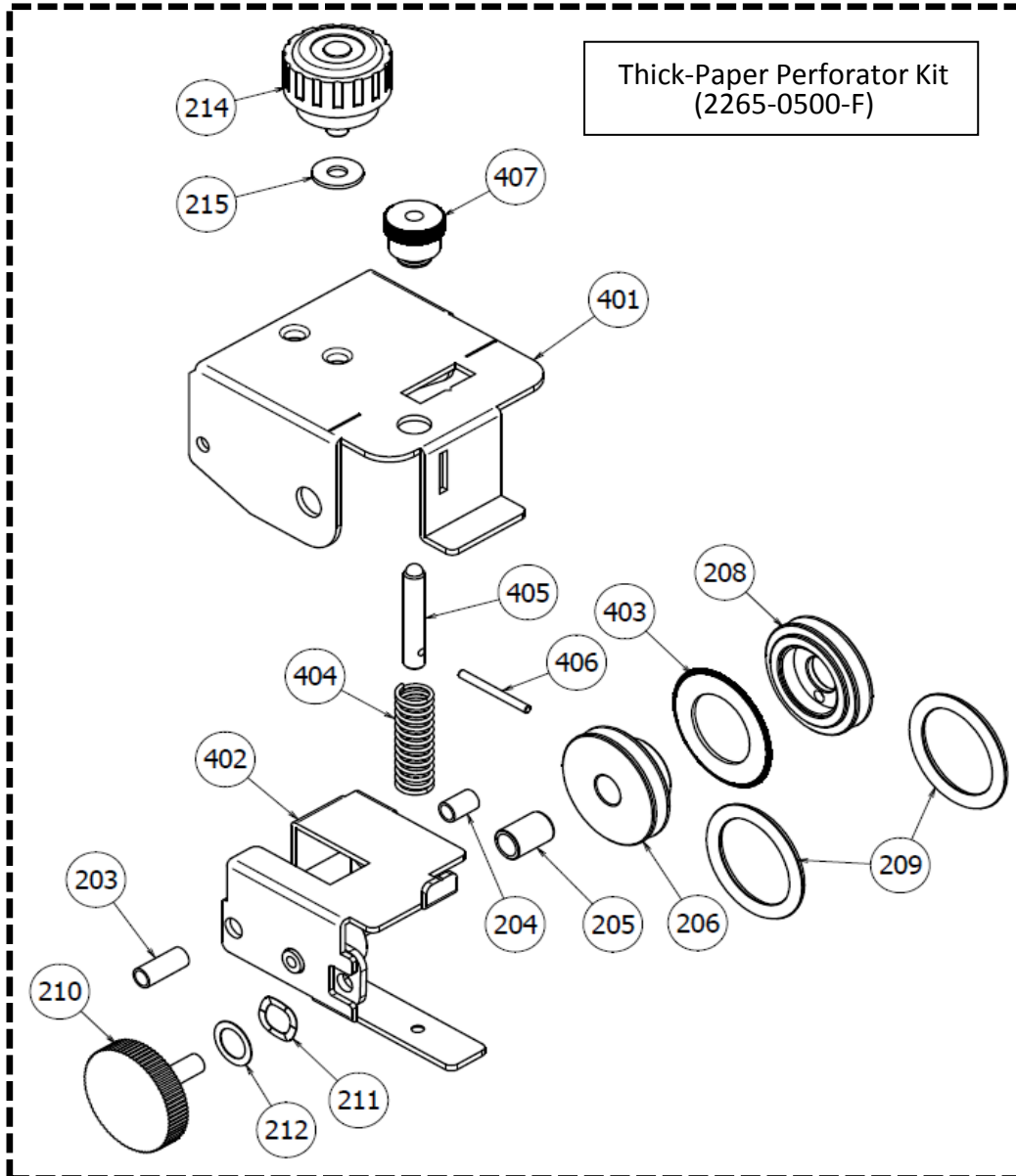


# 1-2. Perforating Unit

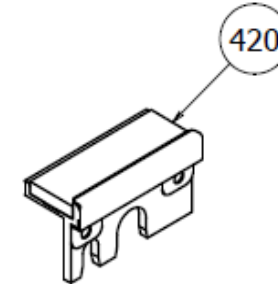




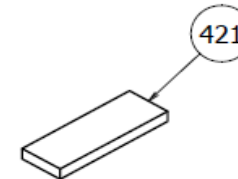
### 3-1. Thick-Paper Perforating Unit



Separator rubber ASSY  
for Thick-Paper  
(1265-0161A)



Separator rubber  
for Thick-Paper  
(0145-1810)

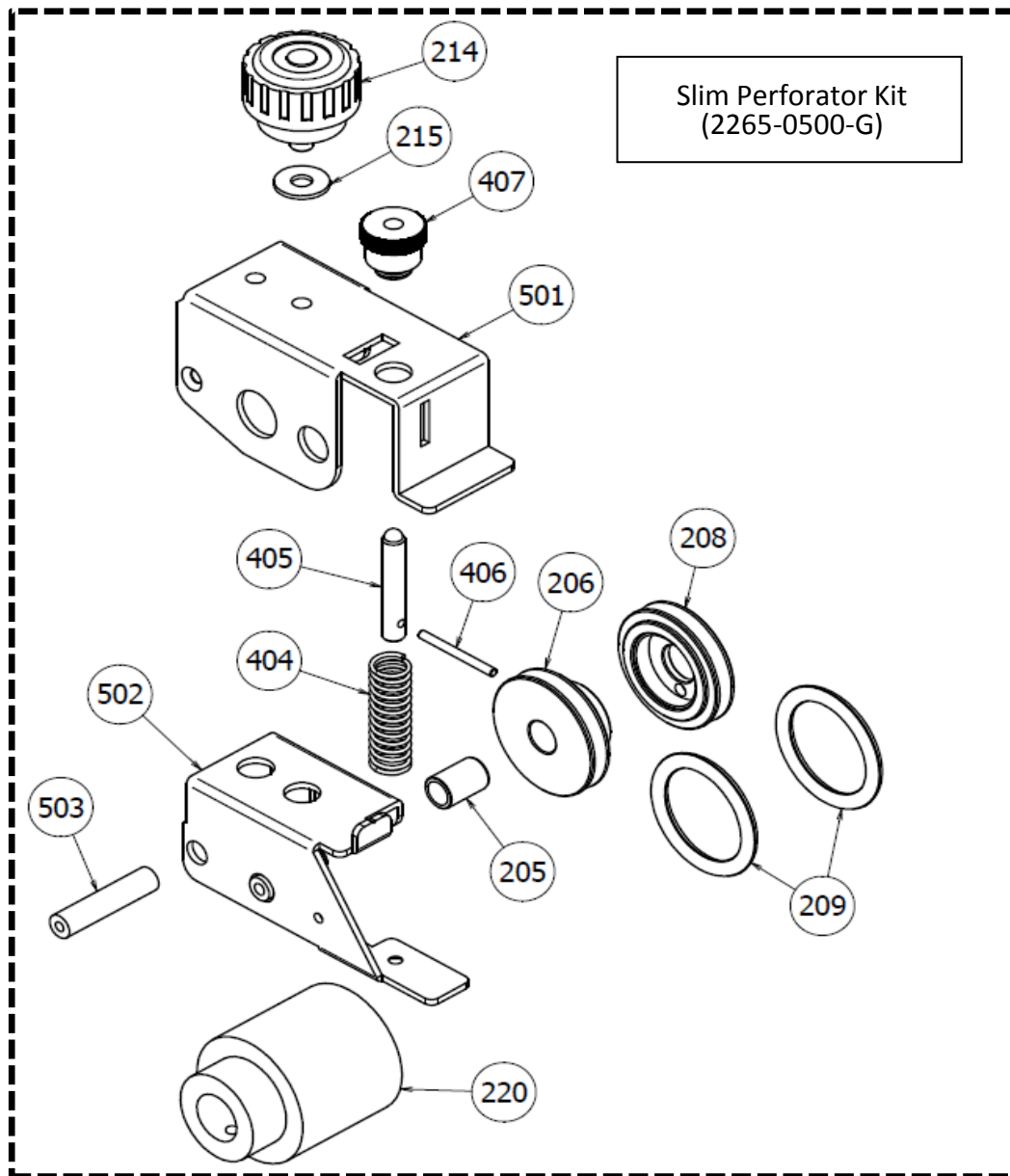


**3-2. Parts List: Thick-Paper Perforating Unit**

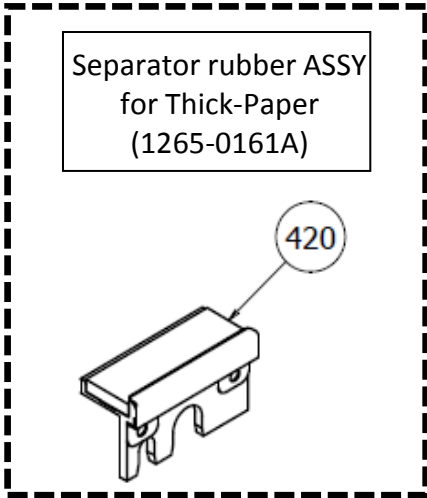
Aug.31.2016

No.	Parts No.	Parts name	QTY	Remarks	No.	Parts No.	Parts name	QTY	Remarks
	2265-0500-F	Thick-Paper Perforator Kit		Configuration by the following parts.					
203	1265-0110	Spacer L13	1						
204	1265-0109	Spacer L8	1						
205	1265-0215	Polymer bearing	1						
206	1265-0206	Cutter boss	1						
208	1265-0207	Fixing wheel	1						
209	0261-0307	Rubber ring NPS24	2						
210	1265-0030	Adjustment knob	1						
211	1265-0108	Waved washer Φ8	1						
212	1265-0107	Polystyrene washer	1						
214	1265-0033	Thumb screw_Misumi	1						
215	1265-0112	Set-washer	1						
401	1265-0152	Perforator chassis for Thick-paper	1						
402	1265-0153	Release lever ASSY for Thick-Paper	1						
	1265-0154	Release lever for Thick-Paper	1	Component parts of No.402.					
	1265-0018	Perforator shaft	1						
	1265-0029	Adjustment nut	1						
403	2265-0181	Perforating blade for Thick-Paper	1						
404	1265-0159	Pressure SP	1						
405	1265-0209	Pressure control screw	1						
406	1265-0217	Reference pin	1						
407	1265-0208	Pressure control nut	1						
420	1265-0161A	Separator rubber ASSY for Thick-Paper	1						
(421)	0145-1810	Separator rubber for Thick-Paper	1	Component parts of No.420.					
	0264-0078	Separator holder	1						
	0264-0081	Separator fitting plate	1						
421	0145-1810	Separator rubber for Thick-Paper	1						

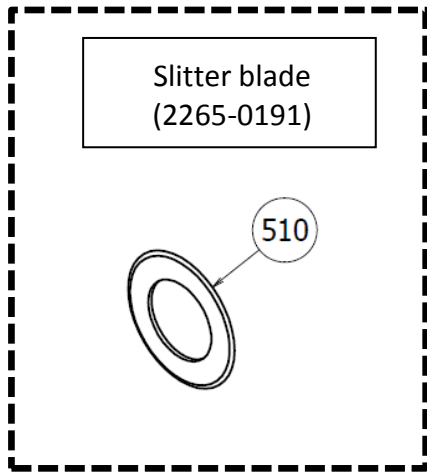
## 4-1. Slim Perforating Unit



Slim Perforator Kit  
(2265-0500-G)



Separator rubber ASSY  
for Thick-Paper  
(1265-0161A)



Slitter blade  
(2265-0191)



**4-2. Parts List: Slim-Perforating Unit**

Aug.31.2016

No.	Parts No.	Parts name	QTY	Remarks	No.	Parts No.	Parts name	QTY	Remarks
	2265-0500-G	Slim Perforator Kit		Configuration by the following parts.	510	2265-0191	Slitter blade		
205	1265-0215	Polymer bearing	1						
206	1265-0206	Cutter boss	1						
208	1265-0207	Fixing wheel	1						
209	0261-0307	Rubber ring NPS24	2						
214	1265-0033	Thumb screw_Misumi	1						
215	1265-0112	Set-washer	1						
220	1265-0024	Blade receipt roller	1						
404	1265-0159	Pressure SP	1						
405	1265-0209	Pressure control screw	1						
406	1265-0217	Reference pin	1						
407	1265-0208	Pressure control nut	1						
501	1265-0202	Perforator chassis for Slim	1						
502	1265-0153	Release lever ASSY for Slim	1						
	1265-0204	Release lever for Slim	1	Component parts of No.502.					
	1265-0205	Perforator shaft for Slim	1						
503	1265-0216	Spacer	1						
420	1265-0161A	Separator rubber ASSY for Thick-Paper	1						
(421)	0145-1810	Separator rubber for Thick-Paper	1	Component parts of No.420.					
	0264-0078	Separator holder	1						
	0264-0081	Separator fitting plate	1						

5-1. Scoring Unit

