

UCHIDA

ProSource Packaging, Inc.
14911 Stuebner Airline Suite A
Houston, TX 77069
800-203-0233
www.Machine-Solution.com

Paper Folding Machine
Model 1500S and AeroFold

6/8/2010

Screw, nuts, washers, to be used for folders

Description of parts (screw, E-ring, spring pin, etc.) illustrated

* Orders for screws, washers, etc. should be placed based on a minimum lot of 30 per item to facilitate shipping.

(We ask that orders be given at one time for as many items as possible.)

Parts ref No.	Parts Name	Size
RK	: Round head screw (30 pcs/set)	1-4mm
		5mm or more
RKSW	: Round head screw with spring washer (30 pcs/set)	1-4mm
		5mm or more
RKWS	: Flat washer and round head screw with spring washer (30 pcs/set)	
HB	: Hexagon head screw (30 pcs/set)	
SK	: Countersunk head screw (30 pcs/set)	
HS	: Hexagon socket set screw (30 pcs/set)	
BD	: Bind screw (30 pcs/set)	
TP	: Self-tapping screw (RKTP...pan head, SKTP...countersunk) (30 pcs/set)	
N	: Nut (30 pcs/set)	1-6mm
		6mm or more
SW	: Spring washer (30 pcs/set)	
W	: Flat washer (30 pcs/set)	
SP	: Spring pin (30 pcs/set)	1-3mm
		4mm or more
E	: E-type stopper ring (E ring) (30 pcs/set)	1-8mm
		10mm
ST	: Tap tight screw (RKST...pan head, RKST...countersunk) (30 pcs/set)	
WW	: Wave washer (30 pcs/set)	
RKPT	: P tight screw (30 pcs/set)	
	Cap screw (30 pcs/set)	

Example:

RKSW4x6-2 : Two round head screws with spring washer 4mm in diameter, 6mm long

RKWS4x8 : One round head screw with spring washer 4mm in diameter, 8mm long

HS4x6 : One hexagon socket set screw 4mm in diameter, 6mm long

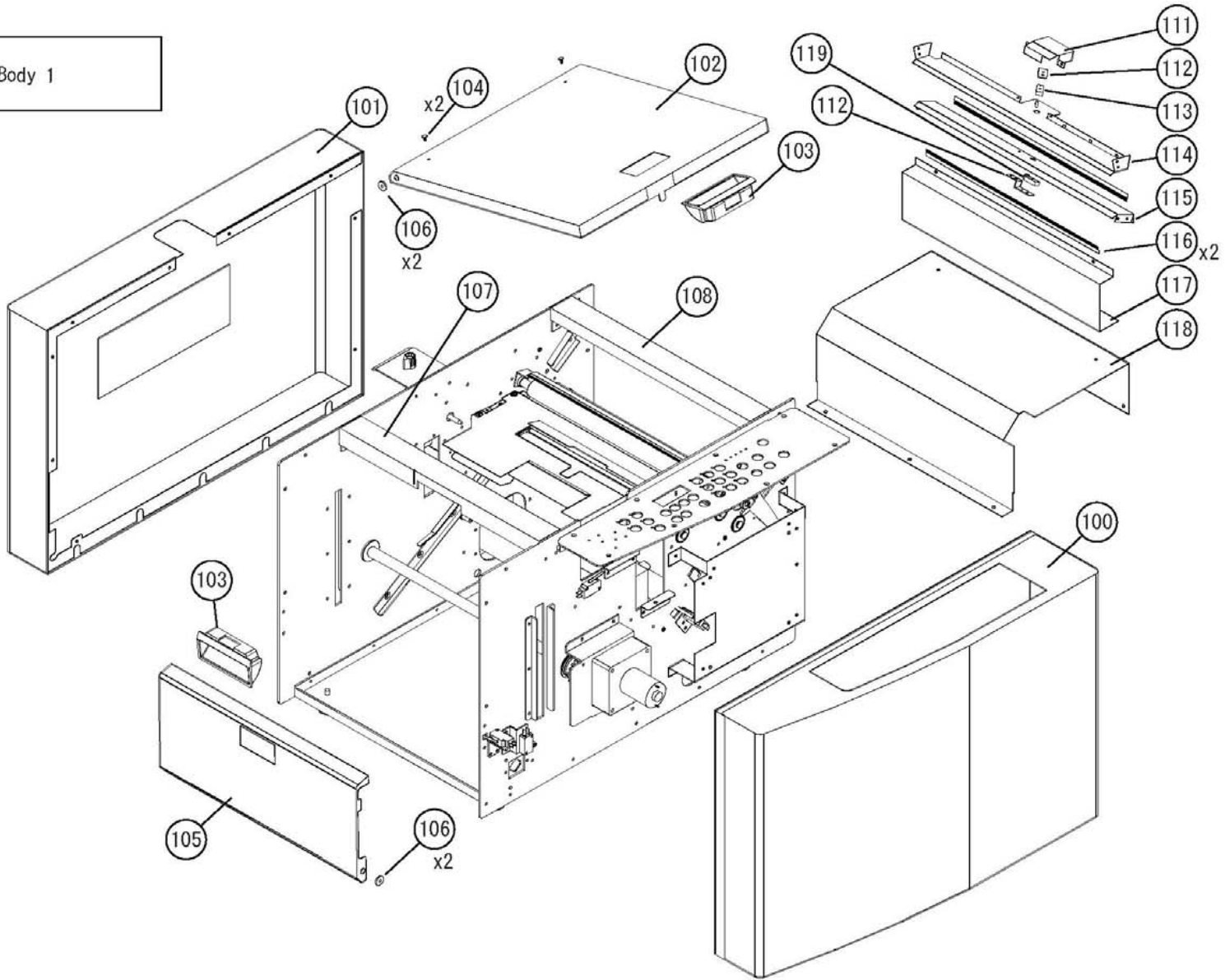
N, SW4 : One each of spring washer 4mm in diameter plus nut

SP3x20 : One spring pin 3mm in diameter, 20mm long

E4-2 : Two 4mm E rings

1. Body 1	4
2. Body 2	6
3. Right side plate	8
4. Left side plate	10
5. Paper feed table	12
6. Sabaki unit	16
7. Suction unit	18
8. Motor unit / Clutch ASSY	20
9. 1 Table	22
10. 2 Table	24
11. Paper ejection table	26

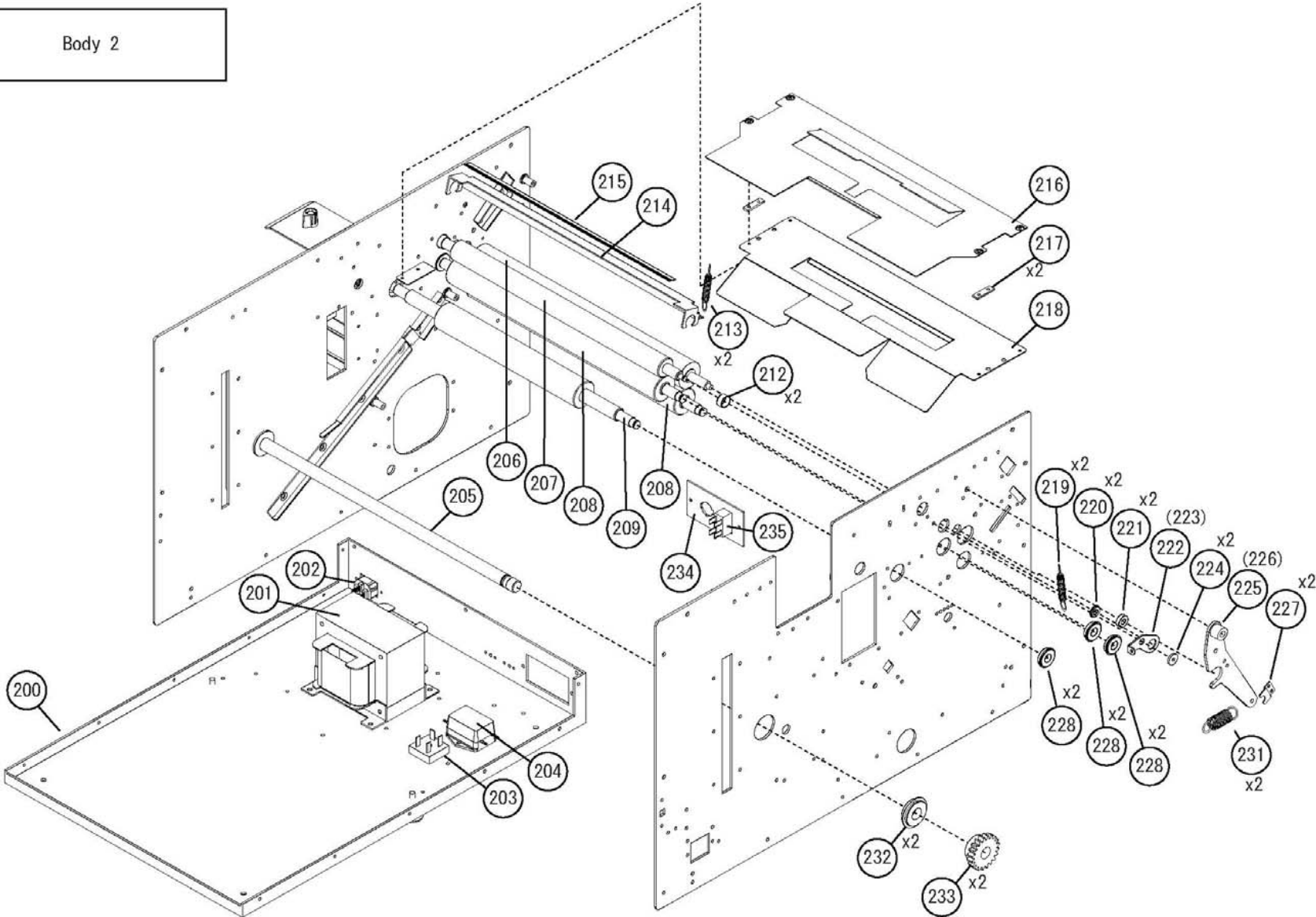
Body 1



1. Body 1

Fig. No.	Parts No.	Parts name	1500S	Aero	Remarks	Fig. No.	Parts No.	Parts name	1500S	Aero	Remarks
100	1262-0454	Cover (R)ASSY	1	1							
101	1262-0473	Cover (L)ASSY	1	1							
102	1262-0451	Canopy spot-weld ASSY	1	1							
103	1262-9273	Handle	2	2							
104	8710-0470	Canoe clip	2	2							
105	1262-0480	Paper feed tray side cover	1	1							
106	0020-0340	F roller holder	4	4							
107	1262-0413	Reinforcement1	1	1							
108	1262-0414	Reinforcement2	1	1							
111	1262-0485	Sensor cover	1	1							
112	1262-0479	Senser mounting plate	2	2							
113	0260-9120	Luminous sensor	1	1							
114	1262-0478	Paper ejection sensor upper cover	1	1							
115	1262-0476	Paper ejection sensor lower cover	1	1							
116	1262-0236	Static electric exclusion brush	2	2							
117	1262-0483	Paper ejection sensor lower cover(B)	1	1							
118	1262-0475	paper ejection side cover	1	1							
119	0260-9130	Light receiving sensor	1	1							

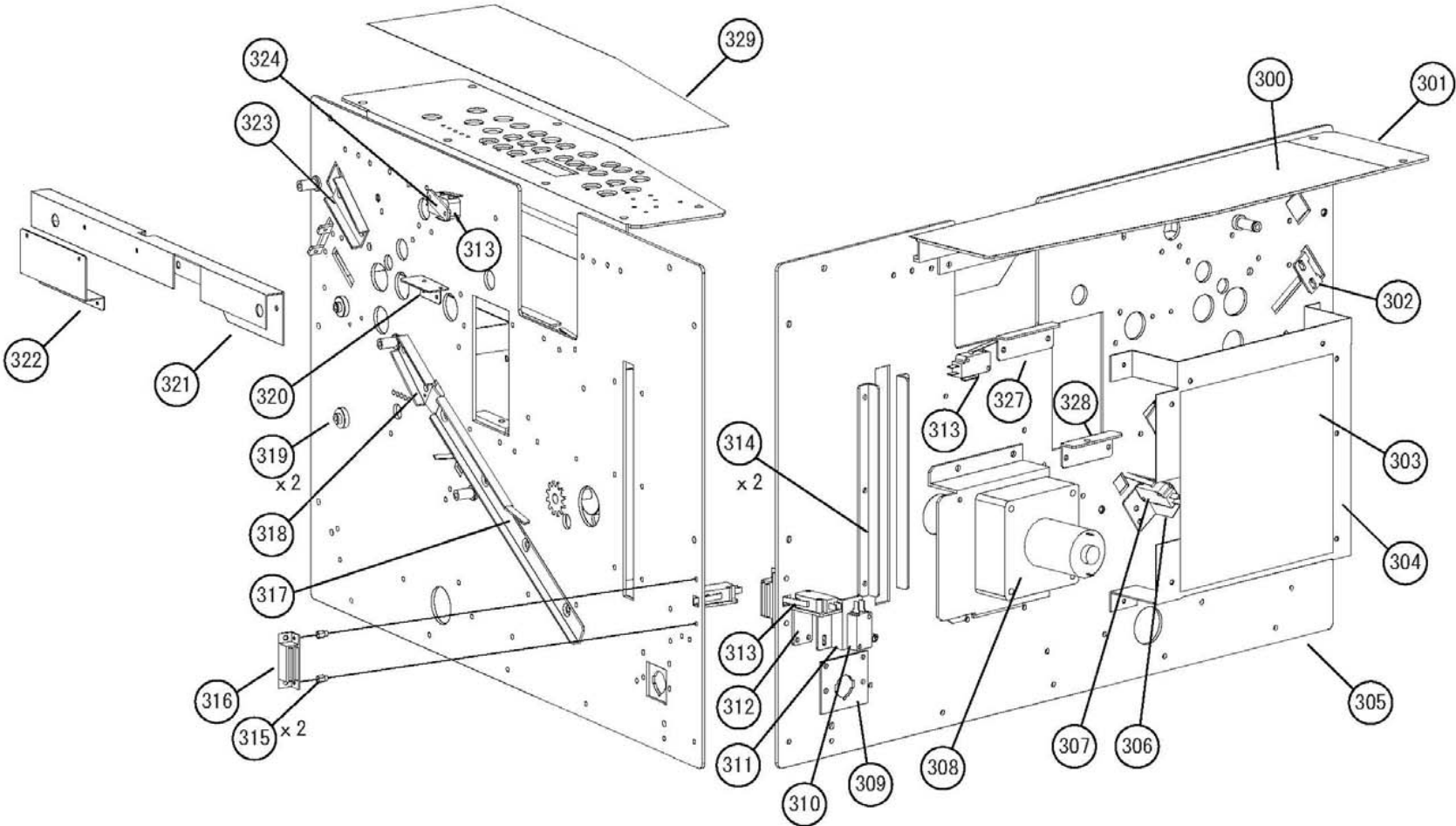
Body 2



2. Body 2

Fig. No.	Parts No.	Parts name	1500S	Aero	Remarks	Fig. No.	Parts No.	Parts name	1500S	Aero	Remarks
200	1262-0403	Bottom plate	1	1							
201	1262-7006	Trans 100V	1	1	Please purchase the trans Assy(1262-7108) at the same time when harness is necessary.						
	1262-7007	Trans 120V	1	1							
	1262-7008	Trans 230V	1	1							
202	0260-7830	3P inlet	1	1	The harness is not attached.						
203	0260-7740	Rectifier	1	1							
204	0010-2040	Noise filter	1	1							
205	1262-0117	Main shaft	1	1							
206	1262-0206	Paper feed roller (E)	1	1							
207	1262-0202	Paper feed roller (B)	1	1							
208	1262-0204	Paper feed roller (CD)	2	2							
209	1262-0205	Paper feed roller (A)	1	1							
211	-										
212	0260-1180	F roller holder	2	2							
213	0020-0410	Separator spring	2	2							
214	1262-0231	Interceptor	1	1							
215	1262-0236	Static electric exclusion brush	1	1							
216	1262-9024	Paper upper guide A	1	1							
217	1262-0207	Spacer	2	2							
218	1262-0201	Paper guide(A)	1	1							
219	1262-0225	F roller spring	2	2							
220	0260-7100	Bearing with flange	2	2							
221	0051-0340	Bearing	2	2							
222	0260-1310	F roller holder (R)	1	1	212+220						
223	0260-1320	F roller holder (L)	1	1	212+220						
224	0020-0340	F roller holder	2	2							
225	1262-0235	Driven fold roller holder (R)	1	1							
226	1262-0234	Driven fold roller holder (L)	1	1	Symmetry form 225						
227	0260-1100	Plate bearing strap	2	2							
228	0260-7110	Bearing with flange	6	6							
231	1262-0224	Driven feed spring	2	2							
232	0152-0673	Bearing	2	2							
233	1262-0118	Elevator gear	2	2							
234	1262-0409	Connector mounting plate	1	1							
235	0260-9150	Power switch	1	1							
	0141-7411	Protector 3.15A			230V=2 120V=1						
	7148-0020	Protector 5A			230V=0 120V=1						

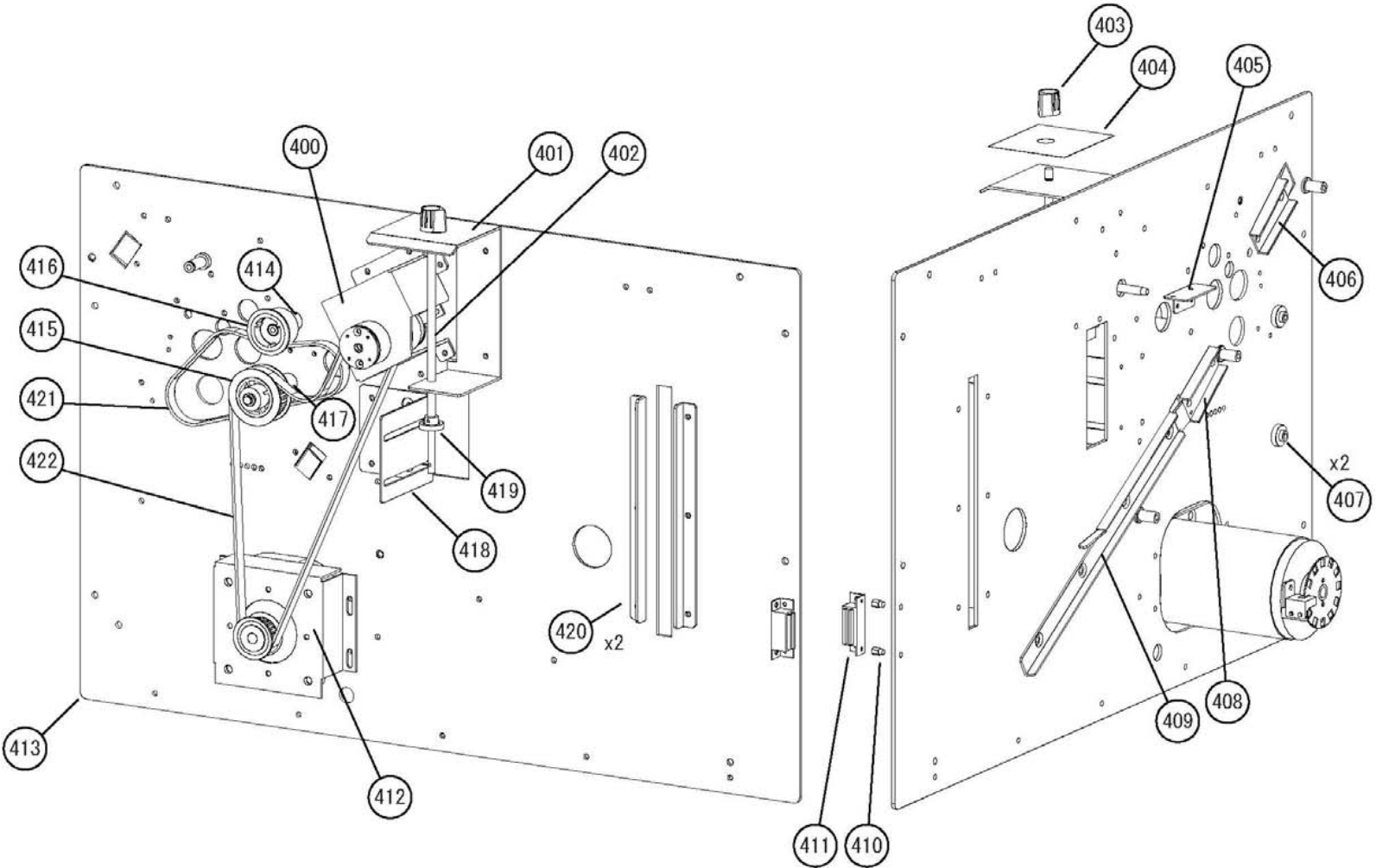
Right side plate



3. Right side plate

Fig. No.	Parts No.	Parts name	1500S	Aero	Remarks	Fig. No.	Parts No.	Parts name	1500S	Aero	Remarks
300	1262-0457	Panel sheet	1	1							
301	1262-0456	Key PCB mounting plate	1	1							
302	1262-0385	Table connector re-entrant mounting plate	1	1							
303	5262-0500	Main PCB	1	1							
304	1262-0406	PCB mounting plate	1	1							
305	1262-0402	Side plate R	1	1							
306	1262-0321	2 table set sw holder	1	1							
307	7147-5006	Micro switch	1	1							
308	1262-7131	Elevator motor DMN Assy	1	1	1222-6022:Motor + 1262-7132:harness						
309	1262-0412	Connector mounting plate(B)	1	1							
310	0020-4250	Lead micro switch	1	1							
311	1262-0146	Micro SW mounting plate	1	1							
312	1262-0481	Micro SW mounting plate	1	1							
313	0100-3460	Micro sw	3	3							
314	1262-0137	Guide	2	2							
315	1262-9289	PCB stud	2	2							
316	5262-0534	Magnet catch	1	1							
317	1262-0322	Table lever guide right	1	1							
318	1262-0392	2 table guide right	1	1							
319	1262-0518	Paper ejection table pin	2	2							
320	1262-0228	Guide holder right	1	1							
321	1262-0410	Cover holder	1	1							
322	1262-0411	Switch cover	1	1							
323	1262-9084	1 table guide left	1	1							
324	1262-0487	Plate screw nut	1	1							
327	1262-0404	L bracket(A)	1	1							
328	1262-0405	L bracket(B)	1	1							
329	5262-0501	Key PCB	1	1							
(330)	1262-7121	2 Table receptacle harness	1	1							

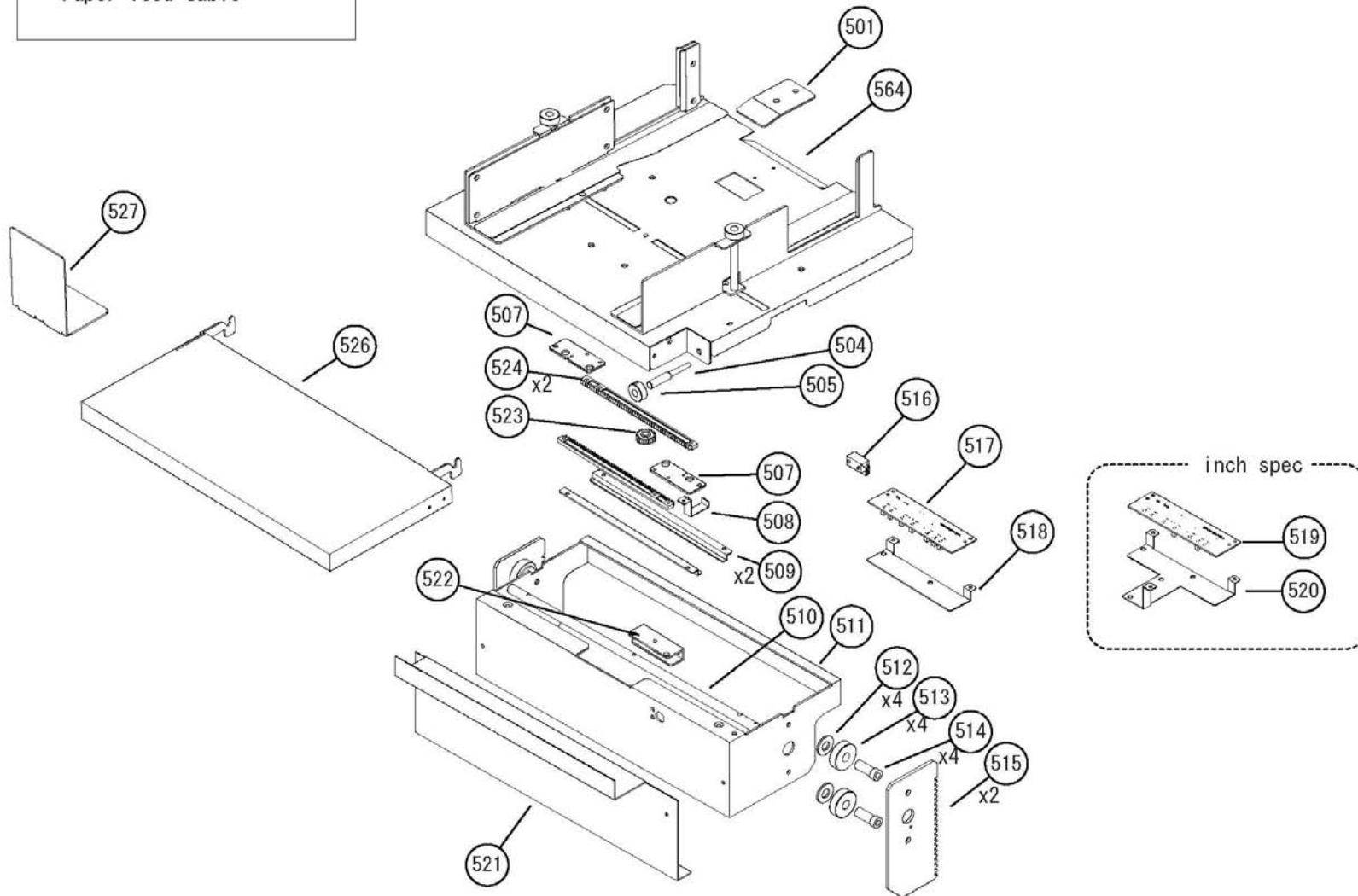
Left side plate



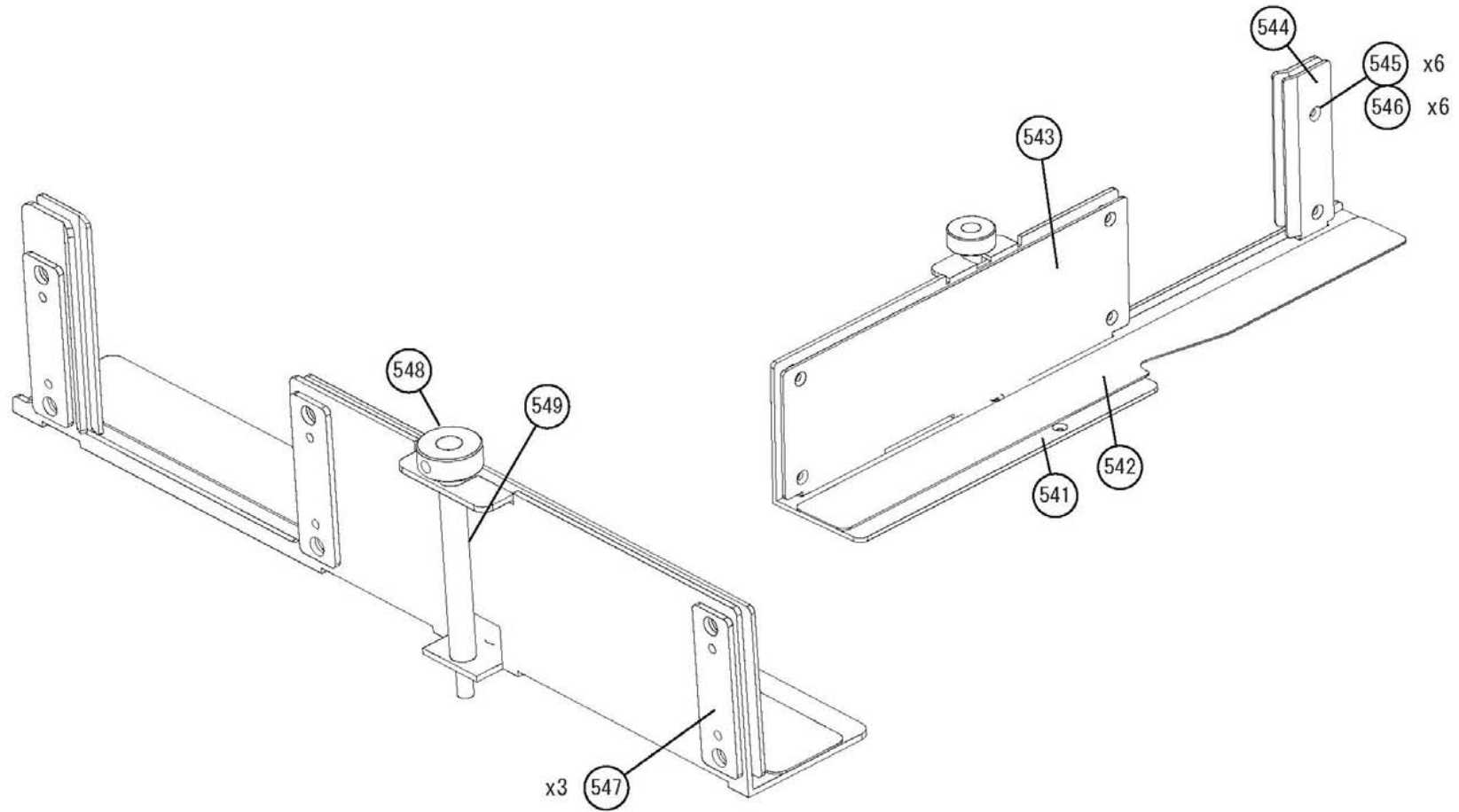
4. Left side plate

Fig. No.	Parts No.	Parts name	1500S	Aero	Remarks	Fig. No.	Parts No.	Parts name	1500S	Aero	Remarks
400	1262-9096	Clutch mounting plate	1	1							
401	1262-0065	Shaft clamp plate	1	1							
402	1262-0064	Shaft(B)	1	1							
403	1262-9290	Mold nob	1	1							
404	1262-0486	Quantity of wind label	1	1							
405	1262-0229	Guide holder left	1	1							
406	1262-9083	1 table guide right	1	1							
407	1262-0518	Paper ejection table pin	2	2							
408	1262-0393	2 table guide left	1	1							
409	1262-0323	Table lever guide left	1	1							
410	1262-9289	PCB stud	2	2							
411	5262-0534	Magnet catch	1	1							
412	0260-1230	Motor plate	1	1							
413	1262-0401	Side plate L	1	1							
414	4147-0103	Tension shaft C	1	1							
415	0264-0032	Center roller use drive timing pulley	1	1							
416	4147-0105	Idle pulley	1	1	5147-0304:BEARING						
417	1262-9099	Pulley center	1	1							
418	1262-0069	Guide	1	1							
419	1262-0066	Gear	1	1							
420	1262-0137	Guide	2	2							
421	5262-0503	Timing belt	1	1							
422	5262-0504	Timing belt	1	1							

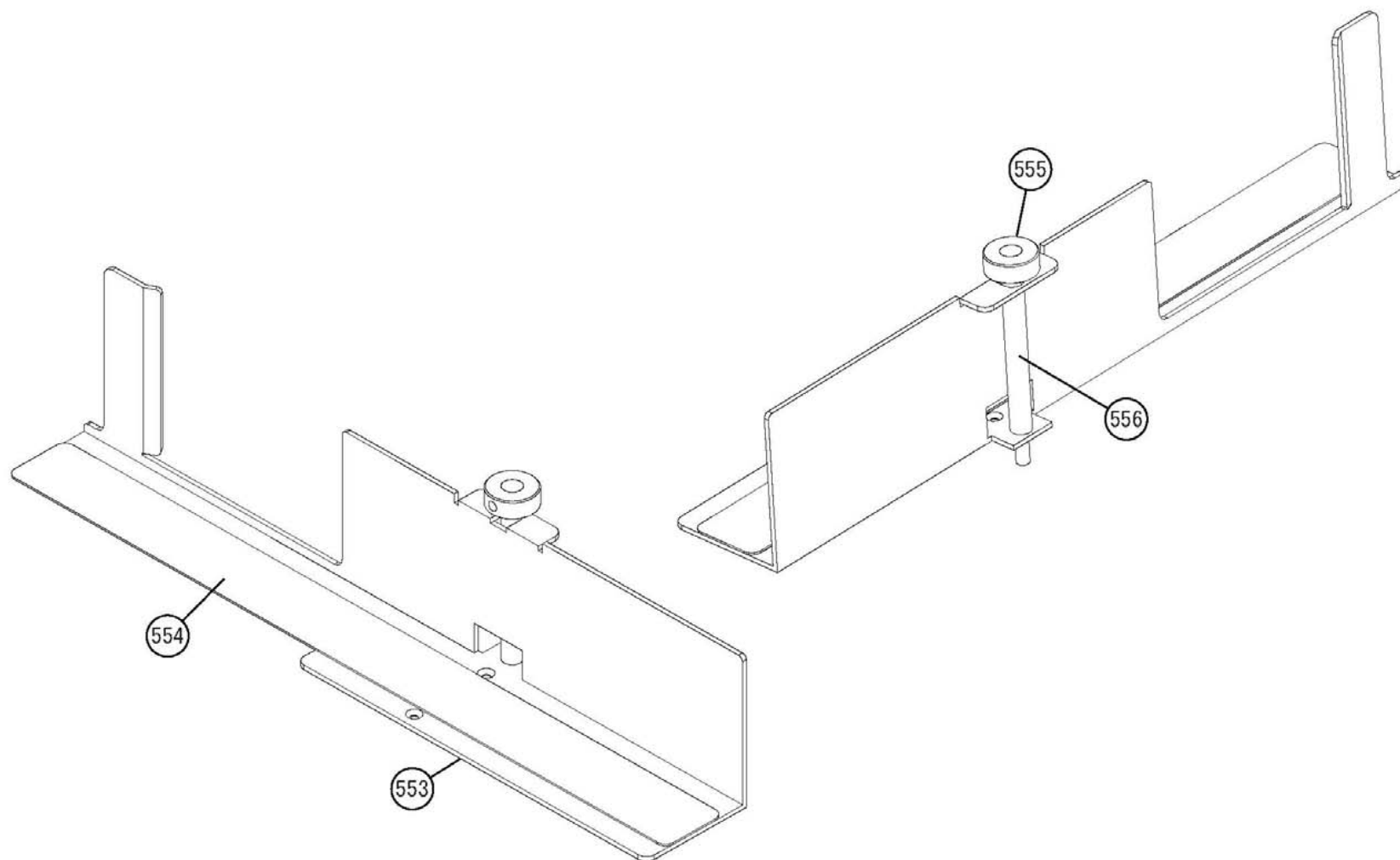
Paper feed table



Paper guide L



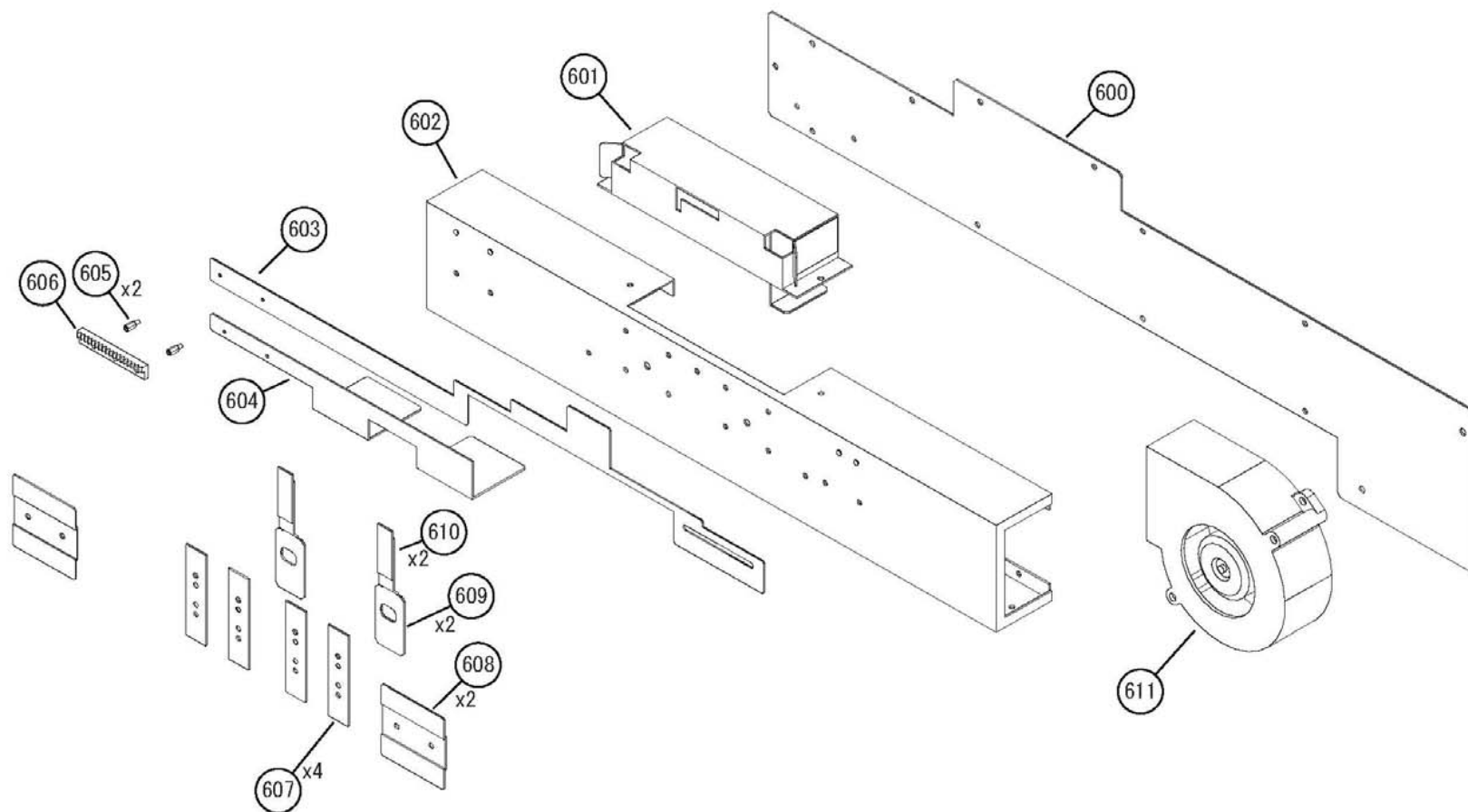
Paper guide R



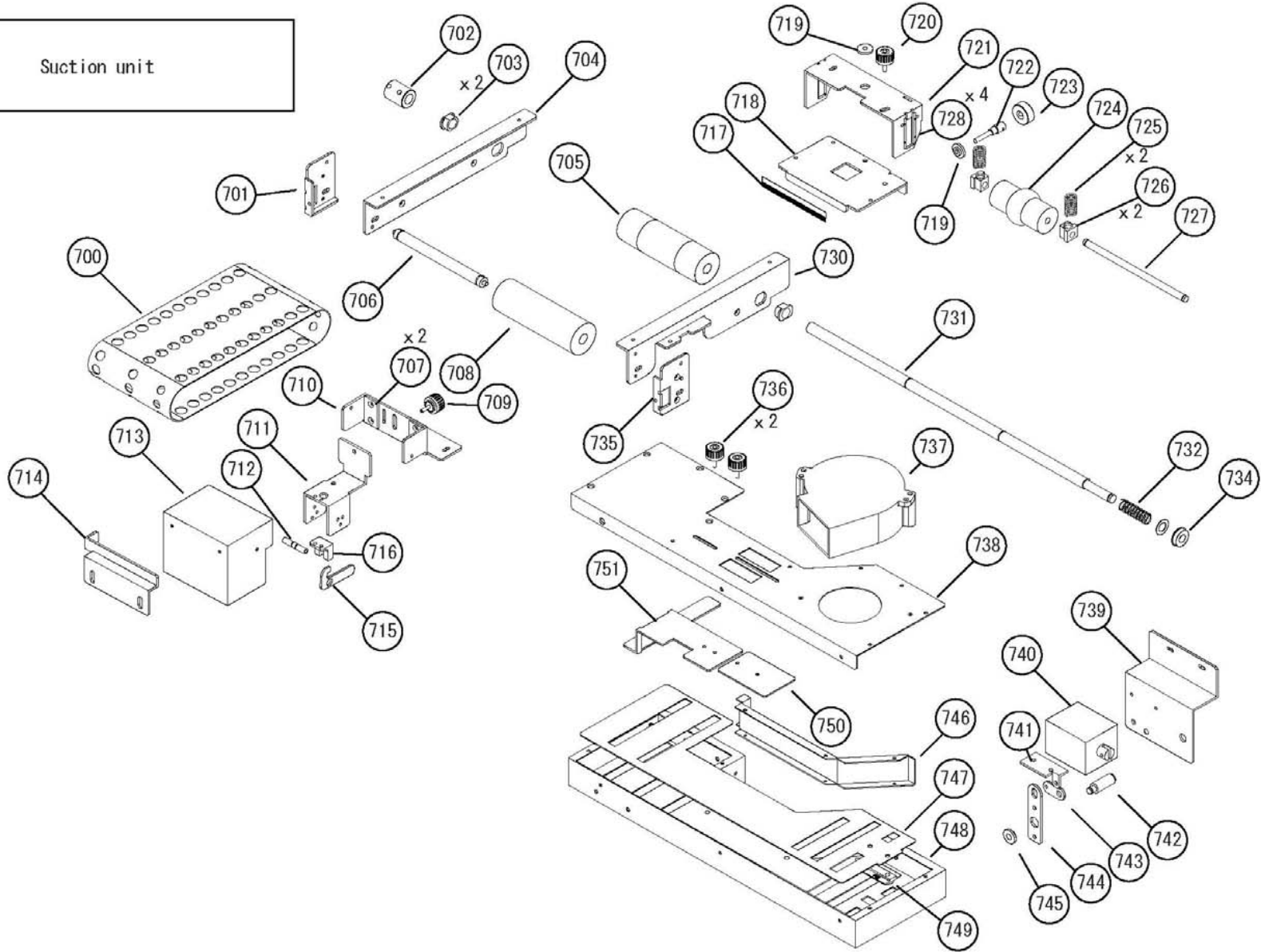
5. Paper feed table

Fig. No.	Parts No.	Parts name	1500S	Aero	Remarks	Fig. No.	Parts No.	Parts name	1500S	Aero	Remarks
						(540)	1262-9073	Paper guide (L) Assy	1	1	541+542
501	1262-0157	Plate	1	1		541	1262-0152	Paper guide (L)	1	1	
						542	1262-9069	Paper guide spacer left Assy	1	1	1262-9067
						543	1262-9008	Left paper holder	1	1	
504	1262-0106	Adjuster	1	1		544	1262-9056	Left front auxiliary paper guide	1	1	
505	1262-0105	Knob	1	1		545	1262-9055	Auxiliary paper guide holder spring	6	6	
						546	1262-9006	Paper holder guide pin	6	6	
507	1262-0109	Rack holder	2	2		547	1262-9005	Paper holder plate	3	3	
508	0260-2490	Photo sensor lever	1	1		548	1262-0105	Knob	1	1	
509	1262-0127	Rack guide	2	2		549	1262-0111	Shaft	1	1	
510	1262-0148	Shaft A	1	1							
511	1262-0130	Paper feed table tray	1	1							
512	2262-0133	Resin washer	4	4		(552)	1262-9074	Paper guide (R) Assy	1	1	553+554
513	2262-0132	Bearing	4	4		553	1262-0151	Paper guide (R)	1	1	
514	1262-0136	Bearing shaft	4	4		554	1262-9068	Paper guide spacer right Assy	1	1	1262-9078
515	1262-0135	Rack	2	2		555	1262-0105	Knob	1	1	
516	7330-5008	Reflection sensor	2	1		556	1262-0111	Shaft	1	1	
517	0260-7050	Paper detection PCB mm Assy	0	1	mm						
518	1262-0158	Sensor cover	0	1	mm						
519	0260-7060	Paper detection PCB inch Assy	1	0	inch						
520	1262-0122	Sensor cover	1	0	inch						
521	1262-0482	Shelf elevator cover	1	1							
522	0260-2130	Paper feed table tray	1	1							
523	0260-2120	Paper guide slide guide gear	1	1		564	1262-0101	Paper feed table	0	1	565+567+568+569+570+571
524	0260-2510	Gear rack	2	2			1262-0120	Paper feed table (USA)	1	0	566+567+568+569+570+571
						(565)	1262-0102	Paper feed table A	0	1	
526	1262-0132	Auxiliary paper feed table	1	1		(566)	1262-0121	Paper feed table B	1	0	
527	1262-0142	L guide ASSY	1	1		(567)	0260-2100	Paper detection PCB mounting plate	1	1	
						(568)	0260-2110	Paper slide gear center	1	1	Paper slide gear center
						(569)	1262-0103	Sensor mounting plate	2	1	
						(570)	1262-0107	Guide plate (A)	1	1	
						(571)	1262-0110	L metal fittings	1	1	

Sabaki unit



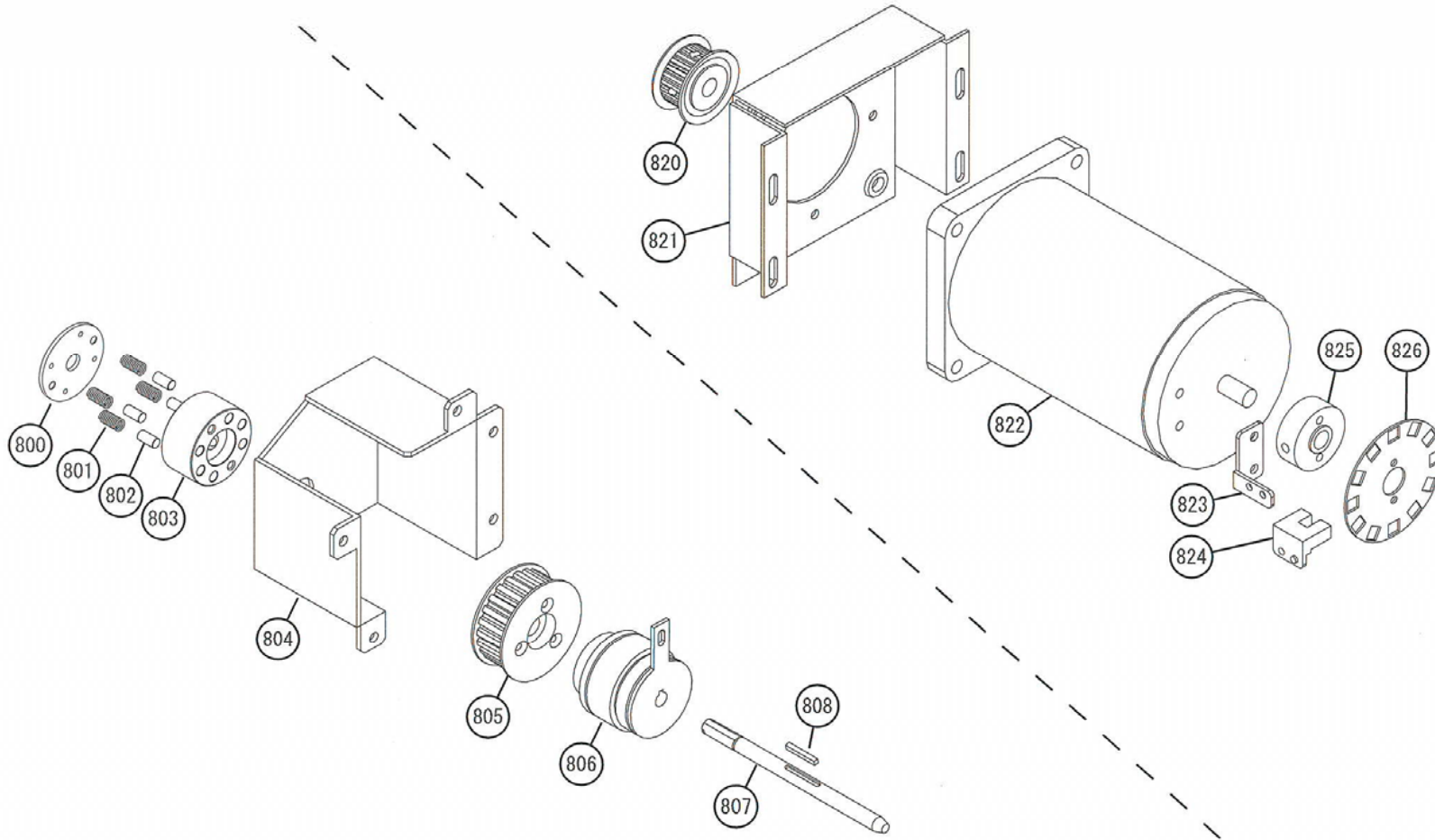
Suction unit



7. SUCTION UNIT

Fig. No.	Parts No.	Parts name	1500S	Aero	Remarks	Fig. No.	Parts No.	Parts name	1500S	Aero	Remarks
700	1262-0013	Paper feed hole belt	1	1		740	1262-7145	Solenoid Assy	1	1	5262-0502:Solenid + harness
701	1262-0008	Belt parallel adjustment board right	1	1		741	1262-0024	Link plate (D)	1	1	
702	1262-0045	Coupler	1	1		742	1262-0021	Shaft	1	1	
703	0145-4170	Sintered metal	2	2		743	1262-0015	Link (B)	1	1	
704	1262-9003	Belt holder left	1	1		744	1262-0023	Link plate (C)	1	1	
705	1262-0041	Crown roller	1	1		745	0146-9540	Sintered metal	1	1	
706	1262-0026	Shaft C	1	1		746	1262-0036	Side plate	1	1	
707	1262-0705	Guide	2	2		747	1262-0004	Shutter	1	1	
708	1262-0042	Pulley (B)	1	1		748	1262-0001	Vacuum duct	1	1	
709	1262-9070	knob	1	1		749	1262-0048	Rejection paper guide installation board	1	1	
710	1262-0713	Sensor mounting plate	1	1		750	1262-9035	Suction air shutter plate	1	1	
711	1262-0703	Sensor mounting plate (A)	1	1		751	1262-9048	Suction shutter slide plate	1	1	
712	1262-0701	Shaft	1	1							
713	1262-0711	Sensor cover	1	1							
714	1262-9065	Suction unit mounting plate	1	1							
715	1262-0702	Actuator	1	1							
716	0260-7780	Built-in photo sensor	1	1							
717	1262-0047	Static electric exclusion brush	1	1							
718	1262-9008	Left paper weight	1	1							
719	1262-9010	Incline adjustment center	2	2							
720	1262-9071	knob	1	1							
721	1262-9001	Center pulley guide	1	1							
722	1262-9009	Incline adjustment nob	1	1							
723	1262-0105	Knob	1	1							
724	1262-0044	Senter pulley	1	1							
725	5262-0515	Compression spring	2	2							
726	0145-1170	Bearing A	2	2							
727	1262-0043	Senter shaft	1	1							
728	4149-0141	Separator weight	1	1							
730	1262-9002	Belt holder right	1	1							
731	1262-0014	Shaft (A)	1	1							
732	0145-2330	Paper feed shaft spring	1	1							
734	0146-4450	Bearing	1	1							
735	1262-0007	Belt parallel adjustment board left	1	1							
736	1262-9070	knob	2	2							
737	1222-6026	Fan motor	1	1							
738	1262-0002	Duct cover	1	1							
739	1262-0005	Solenoid mounting plate	1	1							

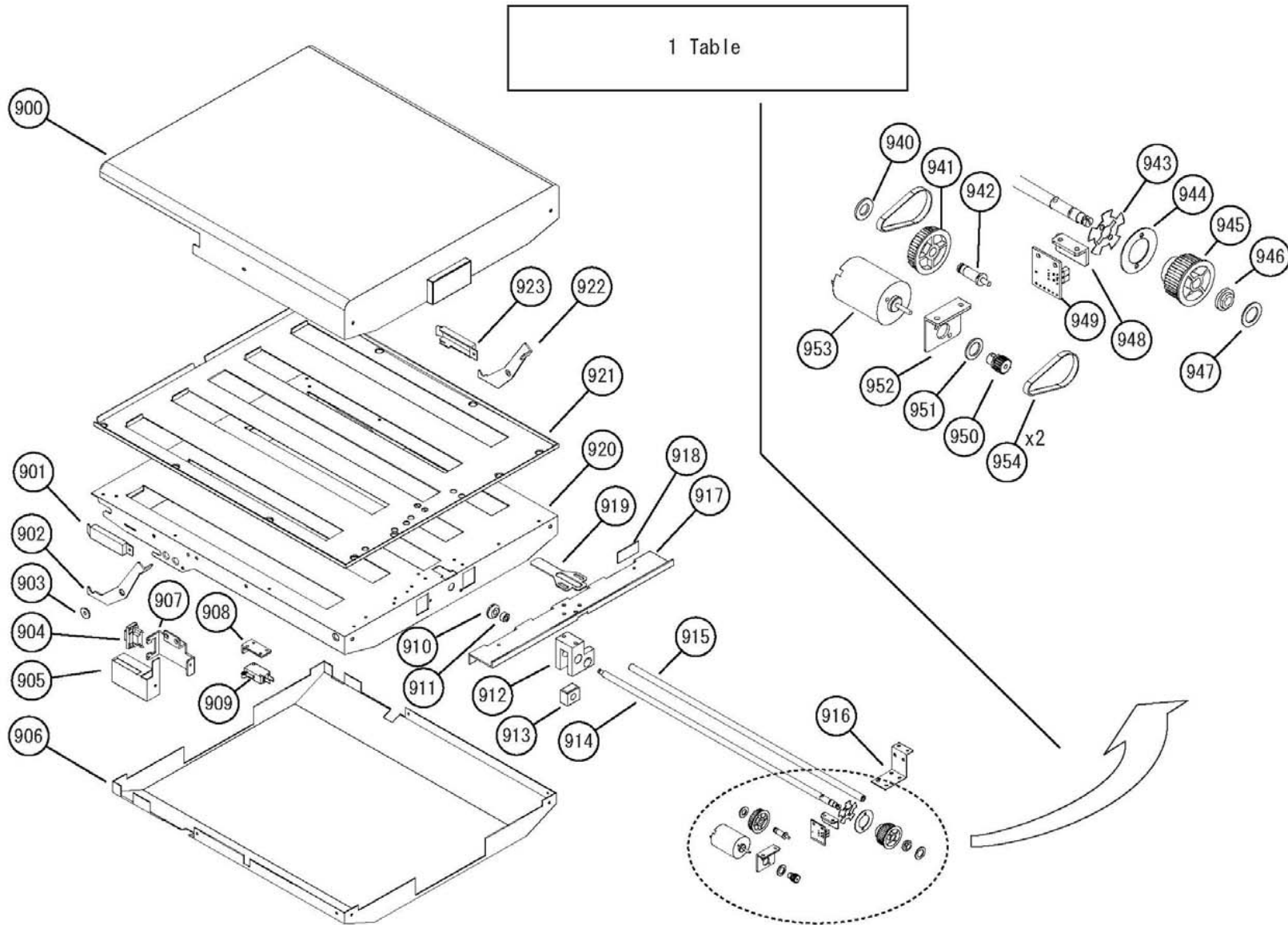
Motor unit / Clutch ASSY



8 MOTOR UNIT / CLUTCH ASSY

Fig. No.	Parts No.	Parts name	1500S	Aero	Remarks	Fig. No.	Parts No.	Parts name	1500S	Aero	Remarks
800	1262-9091	Brake spring holder	1	1							
801	1262-9090	Brake spring	4	4							
802	1262-9089	Brakes pin	4	4							
803	1262-9092	Brake shoe housing	1	1							
804	1262-9096	Clutch mounting plate	1	1							
805	1262-0213	Timing pulley	1	1							
806	1262-7146	Clutch Assy	1	1	5262-0505:Clutch + harness						
807	1262-9093	Clutch shaft	1	1							
808	9262-9978	Parallel key	1	1							
820	1262-0220	Timing pulley	1	1							
821	0260-1230	Motor plate	1	1							
822	1262-7113	Main motor Assy	1	1	5262-0509:Main motor +harness						
823	0260-1130	Photo sensor mounting plate	1	1							
824	0260-7780	Built-in photo sensor	1	1							
825	1262-0222	Holder(B)	1	1							
826	1262-0221	Disk plate	1	1							

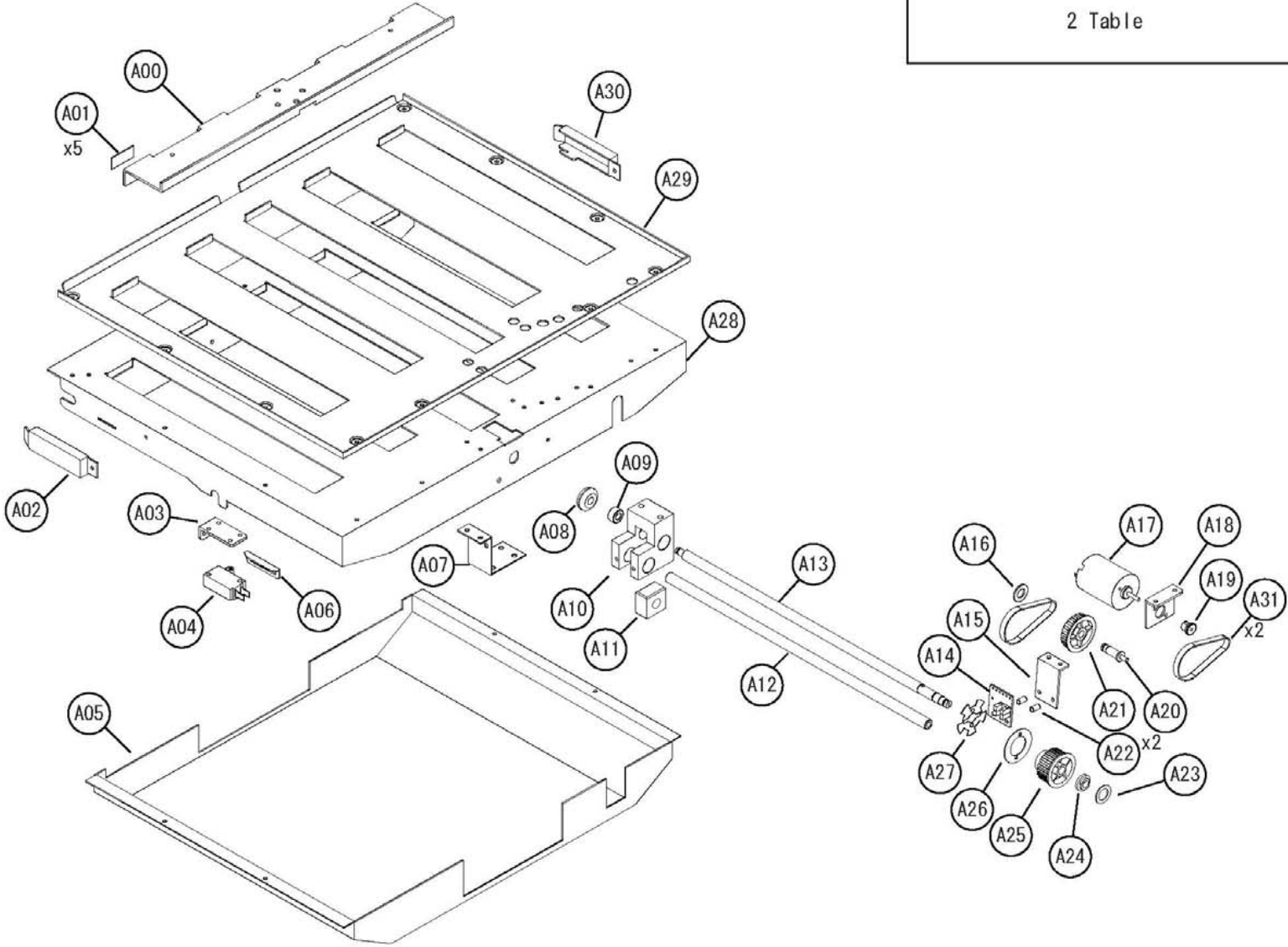
1 Table



9. 1TABLE

Fig. No.	Parts No.	Parts name	1500S	Aero	Remarks	Fig. No.	Parts No.	Parts name	1500S	Aero	Remarks
900	1262-0390	1 table upper cover ASSY	1	1		940	0260-4160	Idler puller washer	1	1	
901	1262-0353	1/2 table guide left	1	1		941	0260-4150	Idler pulley	1	1	
902	1262-0348	Table hook lever right	1	1		942	0260-4140	Shaft idler center	1	1	
903	1262-0415	Table hook lever collar	2	2		943	0260-4120	Stopper shatter	1	1	
904	1262-7117	1 table harness	1	1	949+953	944	0260-4540	Stopper screw flange	1	1	
905	1262-0387	Table connector cover	1	1		945	0260-4110	Stopper screw gear	1	1	
906	1262-0326	1 table lower cover	1	1		946	0146-9540	Sintered metal B-F6-112	1	1	
907	1262-0386	Table connector convex mounting plate	1	1		947	1262-0369	screw shaft thrust washer	1	1	
908	1262-0370	Stopper situs limit switch mounting	1	1		948	0260-4200	Stopper board mounting plate	1	1	
909	0020-4250	Lead micro switch	1	1		949	0260-7070	Stopper photo PCB Assy	1	1	
910	0020-4310	Glomet bush	1	1		950	1262-0340	Motor pulley	1	1	
911	0020-0790	Guide push	1	1		951	1262-0394	Table motor flange	1	1	
912	1262-9118	Slider	1	1	0070-5000: Metal bush x4	952	1262-0341	Plate screw drive motor mounting plate	1	1	
913	1262-0344	Table screw metal	1	1		953	5262-0514	Fold table motor	1	1	
914	1262-0310	1 table screw	1	1		954	0260-4180	Timing belt	2	2	
915	1262-9116	1 table guide	1	1							
916	1262-0407	2 table PCB cover	1	1							
917	1262-0303	Stopper plate	1	1							
918	1262-0371	Stopper cushion rubber	5	5							
919	1262-0315	Push plate	1	1							
920	1262-0305	1 table lower ASSY	1	1							
921	1262-0301	1 table upper	1	1							
922	1262-0319	Table hook lever left	1	1							
923	1262-0324	1/2 table guide right	1	1							
(939)	1262-7118	1 Table receptacle harness	1	1	Main body side						

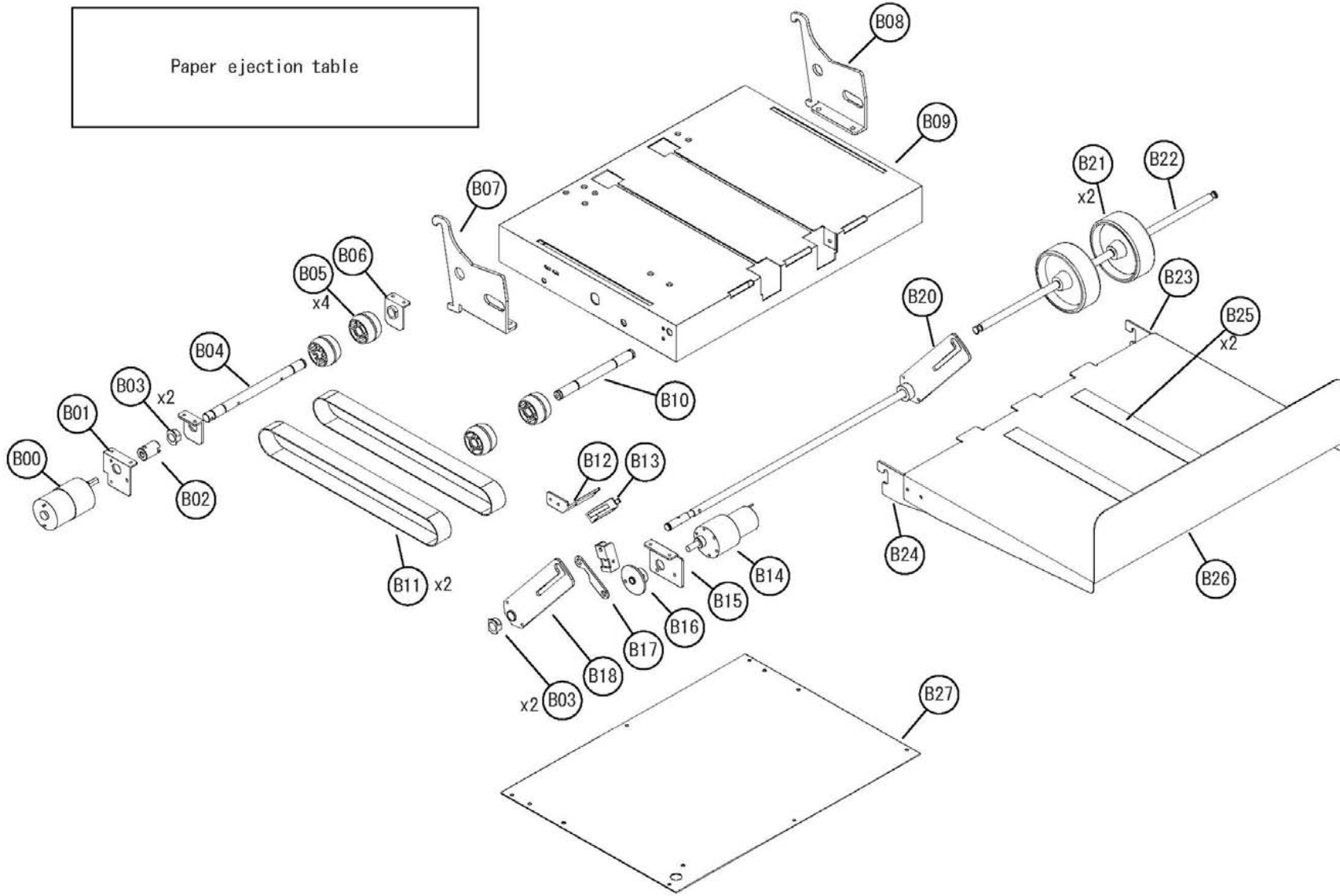
2 Table



10. 2TABLE

Fig. No.	Parts No.	Parts name	1500S	Aero	Remarks	Fig. No.	Parts No.	Parts name	1500S	Aero	Remarks
A00	1262-0303	Stopper plate	1	1							
A01	1262-0371	Stopper cushion rubber	5	5							
A02	1262-0353	1/2 table guide left	1	1							
A03	1262-0370	Stopper situs limit switch mounting	1	1							
A04	0020-4250	Lead micro switch	1	1							
A05	1262-0328	2 table lower cover	1	1							
A06	1262-0349	stopper dock	1	1							
A07	1262-0407	2 table PCB cover	1	1							
A08	0020-4310	Glomet bush	1	1							
A09	0020-0790	Guide push	1	1							
A10	1262-9118	Slider	1	1							
A11	1262-0344	Table screw metal	1	1							
A12	1262-9117	2 table guide	1	1							
A13	1262-0311	2 table screw	1	1							
A14	0260-7070	Stopper photo PCB Assy	1	1							
A15	1262-0372	2 table stopper PCB stand	1	1							
A16	0260-4160	Idler puller washer	1	1							
A17	5262-0514	Fold table motor	1	1							
A18	1262-0341	Plate screw drive motor mounting plate	1	1							
A19	1262-0340	Motor pulley	1	1							
A20	0260-4140	Shaft idler center	1	1							
A21	0260-4150	Idler pulley	1	1							
A22	5262-0532	Spacer	2	2							
A23	1262-0369	screw shaft thrust washer	1	1							
A24	0146-9540	Sintered metal B-F6-112	1	1							
A25	0260-4110	Stopper screw gear	1	1	A26						
A26	0260-4540	Stopper screw flange	1	1							
A27	0260-4120	Stopper shatter	1	1							
A28	1262-0308	2 table lower ASSY	1	1							
A29	1262-0302	2 table upper	1	1							
A30	1262-0324	1/2 table guide right	1	1							
A31	0260-4180	Timing belt	2	2							
(A39)	1262-7121	2 Table receptacle harness	1	1	Main body side						

Paper ejection table



11. PAPER EJECTION TABLE

Fig. No.	Parts No.	Parts name	1500S	Aero	Remarks	Fig. No.	Parts No.	Parts name	1500S	Aero	Remarks
B00	1262-7141	Paper ejection belt feed Assy	1	1	5262-0512:motor + harness						
B01	1262-0510	Motor mounting plate	1	1							
B02	1262-0506	Joint	1	1							
B03	0145-4170	Sintered metal B-F10-9	4	4							
B04	1262-0505	Paper ejection roller drive shaft	1	1							
B05	0260-3020	Lower paper ejection roller	4	4							
B06	1262-0511	Feed shaft mounting plate	1	1							
B07	1262-0512	Paper ejection table mounting plate right	1	1							
B08	1262-0527	Paper ejection table mounting plate left	1	1							
B09	1262-0509	Ppaer ejection table	1	1							
B10	1262-0504	Paper ejection roller moving shaft	1	1							
B11	1262-0513	F e e d belt	2	2							
B12	1262-0501	Roller home position micro switch mounting plate	1	1							
B13	0100-3460	Micro sw	1	1							
B14	1262-7140	Roller drive Assy	1	1	5262-0513:motor +harness						
B15	1262-0524	Roller position slide lever mounting plate	1	1							
B16	1262-0540	Roller position drive cam ASSY	1	1	1262-0531:Cam boss						
B17	1262-0525	roller position moving lever	1	1							
B18	1262-0538	Paper ejection roller moving lever ASSY left	1	1							
B20	1262-0537	Paper ejection roller moving lever ASSY right	1	1							
B21	1262-0536	Paper ejection roller	2	2							
B22	1262-0508	Paper ejection upper roller shaft	1	1							
B23	1262-0522	Paper ejection auxiliary table hook left	1	1							
B24	1262-0521	Paper ejection auxiliary table hook right	1	1							
B25	1262-0534	Paper ejection sliding board	2	2							
B26	1262-0507	Paper ejection auxiliary table	1	1							
B27	1262-0517	Paper ejection table cover	1	1							
(B39)	1262-7123	Paper ejection table harness Assy	1	1							

UCHIDA

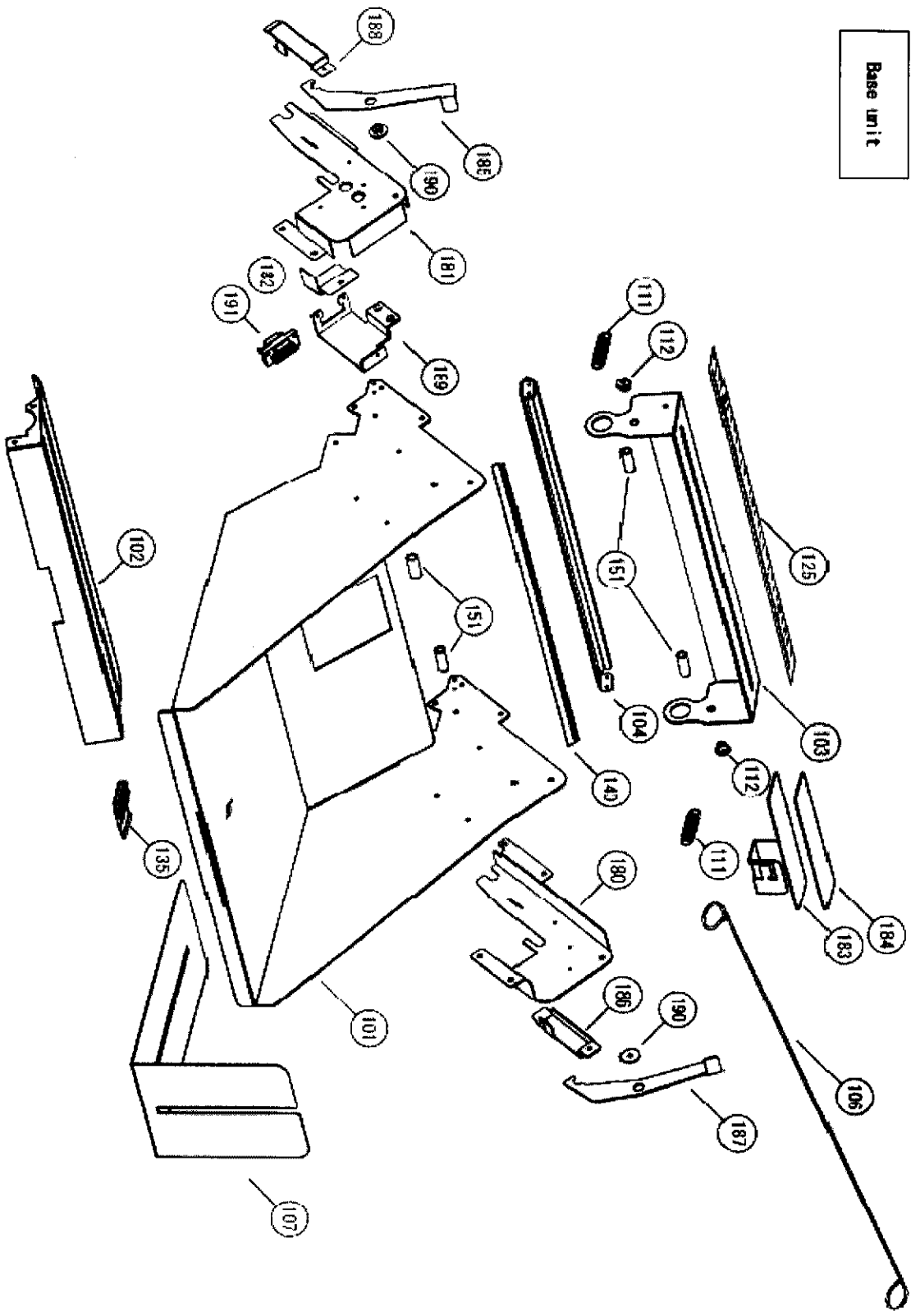
*you can add
extra perf on
Score*

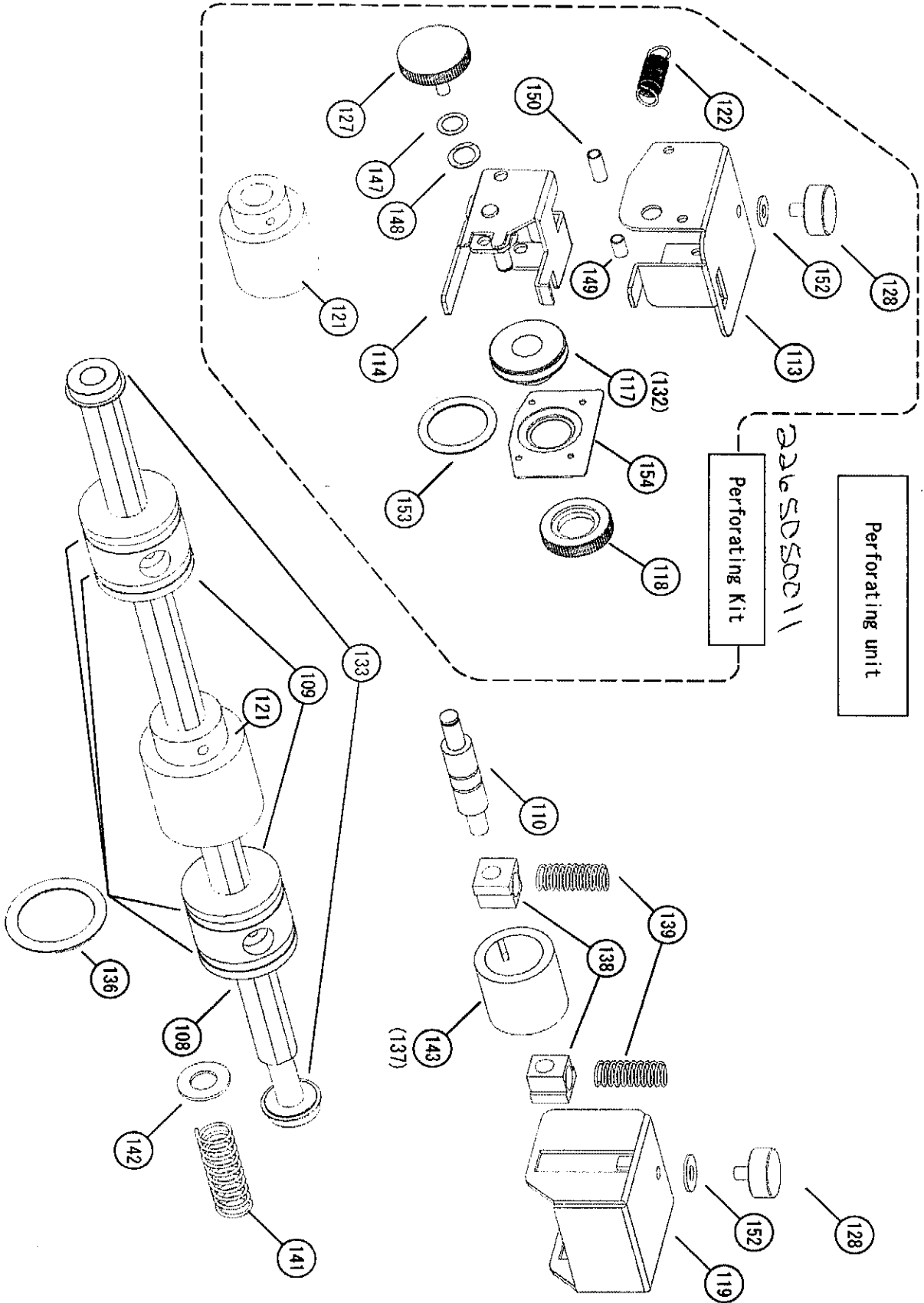
Parts List

Perforation & Scoring Unit
for
Model 1500S and AeroFold

11.16.2010

Base unit





Perforating unit

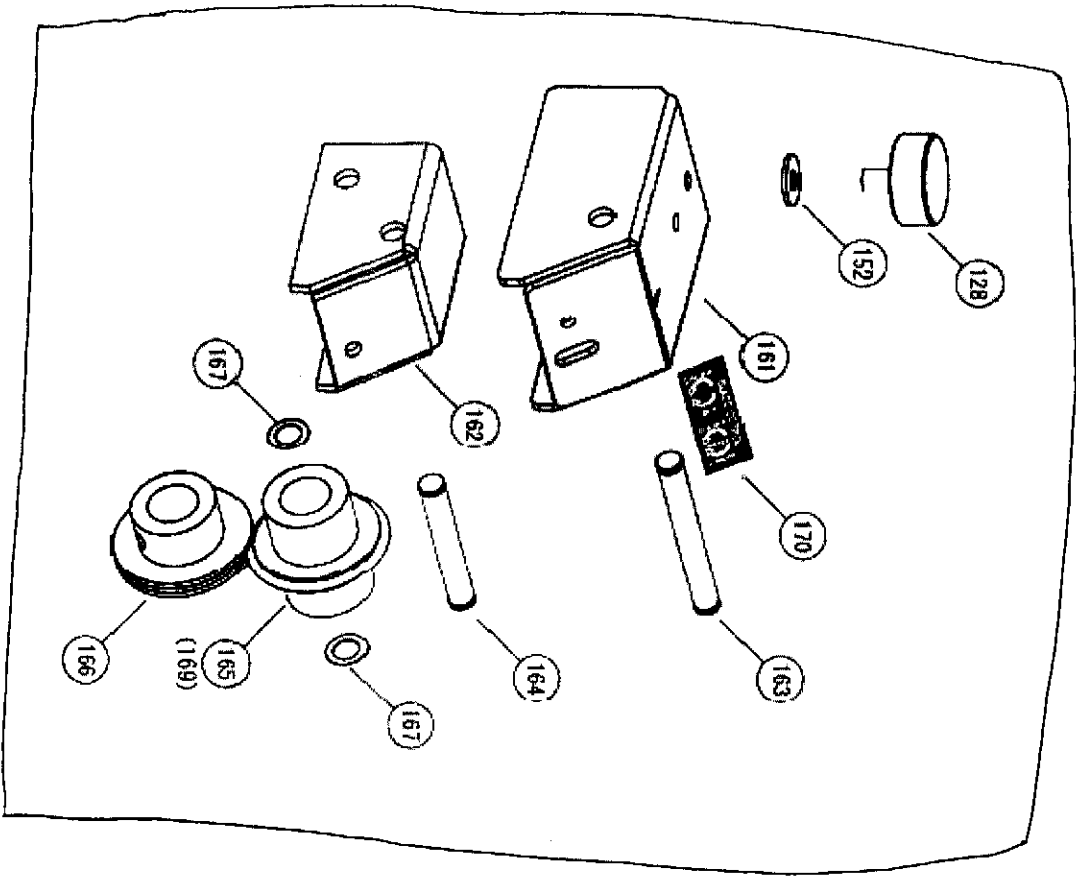
Perforating Kit

2265DSD011

Scoring unit

(Scoring kit)

2265050213



[Parts list : Perforation & Scoring unit(option) for Air Suction Folder]

Fig.No.	Parts No.	Parts name	Pcs	Remarks	Fig.No.	Parts No.	Parts name	Pcs	Remarks
101	1267-0009	Base	1		149	1265-0109	Spacer L8		
102	1267-0006	Lower paper guide	1		150	1265-0110	Spacer L13		
103	1267-0005	Block mounting arm	1		151	1265-0111	Spacer L10		
104	1265-0004	Upper guide	1		152	1265-0112	Set washer		
106	1267-0015	Paper control wire	1		153	0261-0307	Rubber ring		
107	1265-0007	Paper stop	1		154	2265-0101	Cutter wheel		
108	1265-0008	Transportation shaft	1			1265-0022	Cutter frame		
109	1265-0009	Lower transport roller	2			1265-0101	Perforating cutter part		2265-0101 Components
110	1265-0010	Upper transport roller shaft	2			0020-3400	Cutter washer		
111	1265-0011	Reverse SP	2						
112	1265-0014	SP shaft	2						
113	1265-0015	Perforator chassis	1						
114	1265-0016	Release lever Assy	1						
	1265-0017	Release lever	1						
	1265-0018	Perforator shaft	1						
117	1265-0019	Blade mount boss	1		161	1265-0091	Scoring chassis		
118	1265-0020	Fixing wheel	1		162	1265-0092	Scoring roller holder		
119	1265-0021	Transport roller chassis	2		163	1265-0093	Scoring shaft A		
121	1265-0024	Blade receipt roller	1		164	1265-0094	Scoring shaft B		
122	1265-0025	Blade SP	1		165	1265-0096	Upper scoring roller		
125	1265-0028	Guide scale	1		166	1265-0097	Lower scoring roller		
127	1265-0030	Fixing wheel	1		167	1265-0100	Polyslider		
128	1267-0011	Thumb screw	3		169	0020-3530	Upper scoring roller bearing		
132	0020-9680	Blade mount boss bearing	2		170	0261-0321	Upper scoring roller control level		
-133	0020-9680	Transportation shaft bearing	2			0261-0320	Screw driver		
	0020-9950	Paper stop PP	1				Operation manual(T7-紙折機内田輸出用)		
135	0055-1130	Paper stop guide	1						
136	0261-0307	Rubber ring	4						
137	0031-5080	Transport roller bearing	2						
138	0145-1170	Transport roller shaft bearing	4		180	1267-0007	Connecting plate,right		
139	0145-1200	Tension SP	4		181	1267-0008	Connecting plate,left		
140	0145-1890	Static eliminating bar	1		182	1267-0010	Connector cover		
141	0145-2330	Transport shaft SP	1		183	1267-0016	Wire mount plate		
142	0145-2340	Transport shaft SP collar	1		184	1267-0017	Wire mount plate magnet		
143	4147-0143	Upper transport roller	2		185	1262-0319	Unit fixing lever,left		
	0100-7070	Roller caution label	1		186	1262-0324	Table guide,right		
146	1265-0105	Wire rubber ring	2		187	1262-0348	Unit fixing lever,right		
147	1265-0107	Polyslider	1		188	1262-0353	Table guide,left		
148	1265-0108	Wave washer	1		189	1262-0386	Connector mount plate		
					190	1262-0415	Unit fixing lever collar		
					191	1262-7133	Perforator harness		

2010/11/16