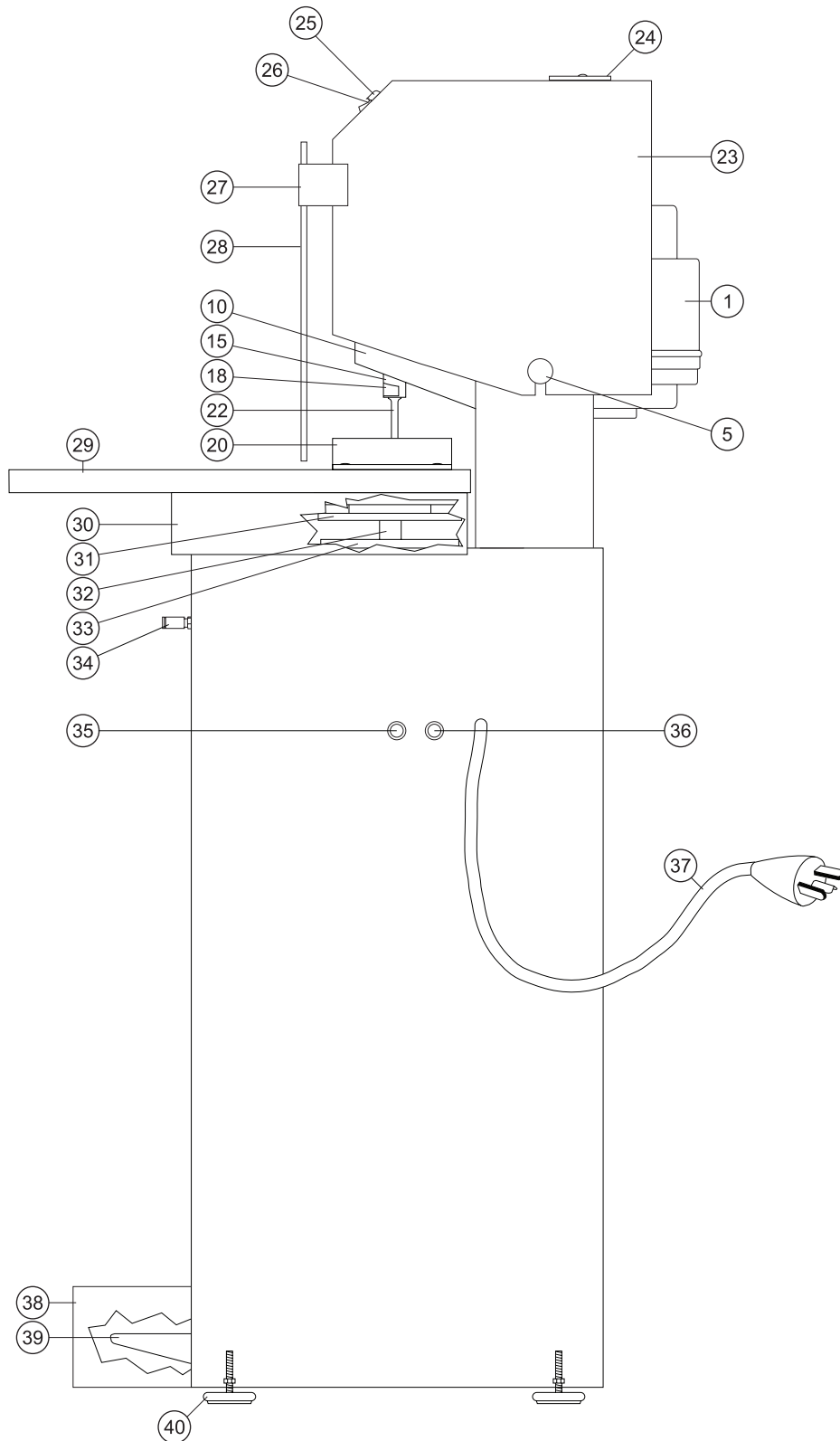


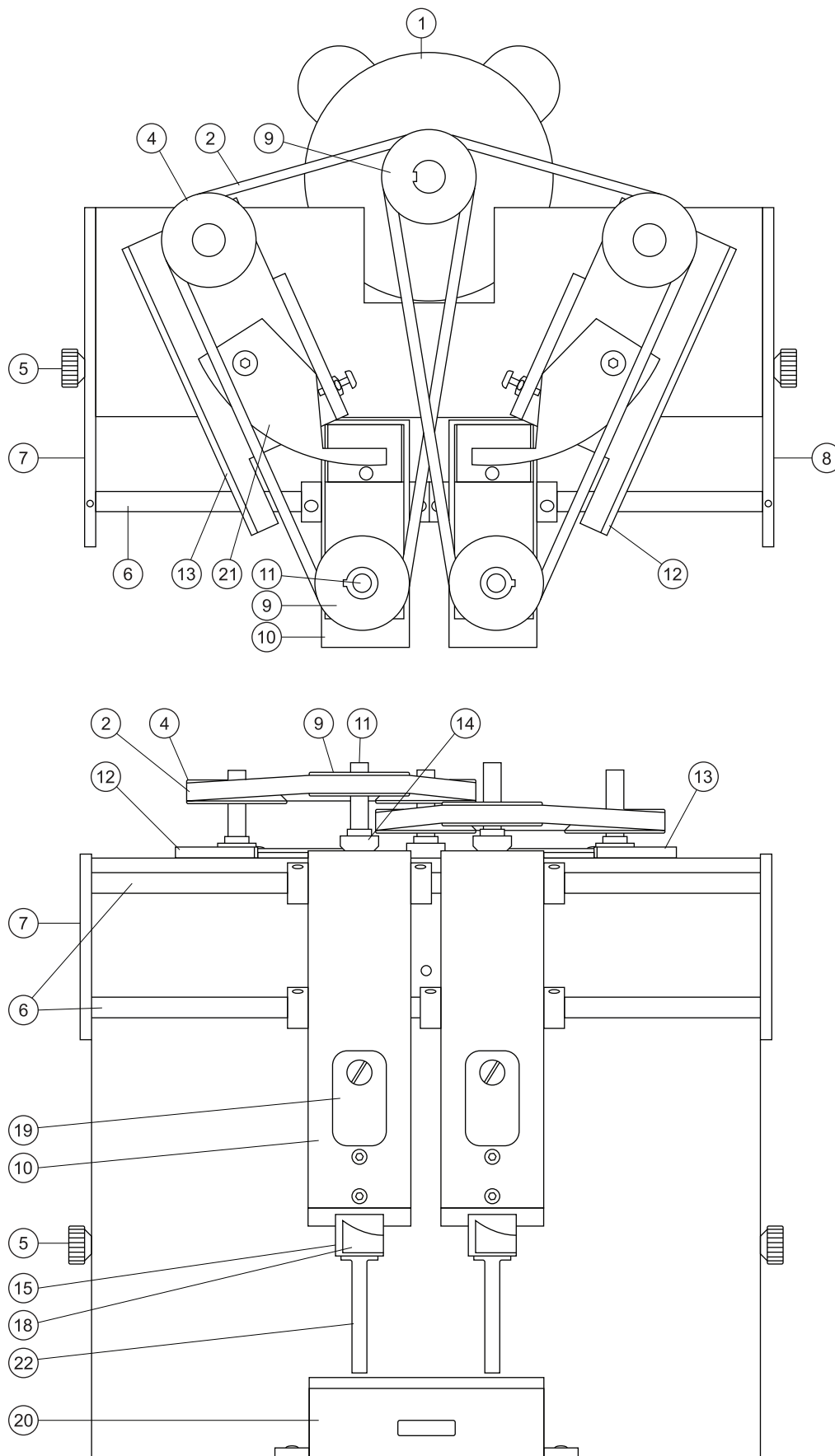
Parts Diagram Lassco-Wizer FMMH-2.1C

Side View



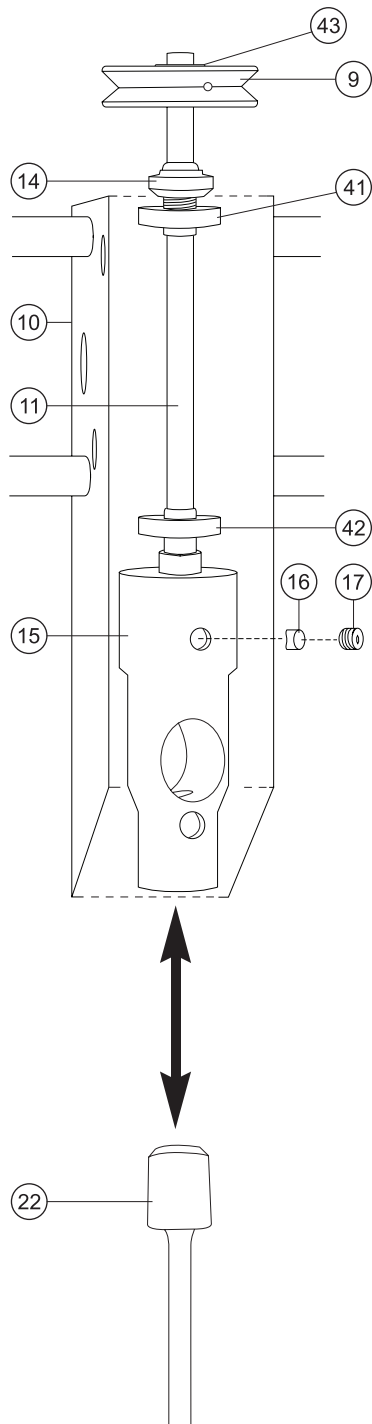
Parts Diagram Lassco-Wizer FMMH-2.1C

Head Assembly



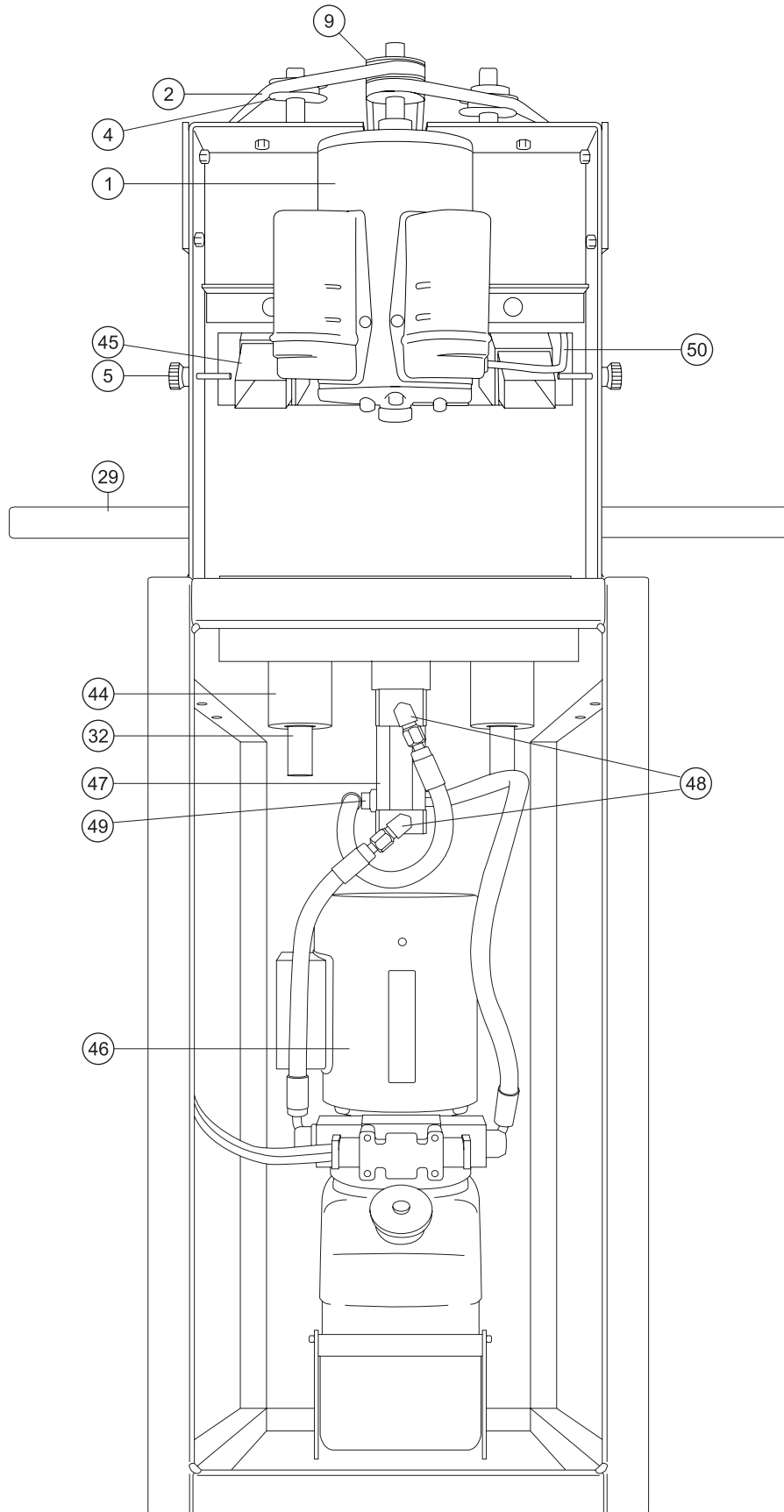
Parts Diagram Lassco-Wizer FMMH-2.1C

Spindle and Chuck Assembly



Parts Diagram Lassco-Wizer FMMH-2.1C

Rear View



Parts Diagram Lassco-Wizer FMMH-2.1C

Parts List

- | | |
|--|--|
| ① FMM9-9534: 3/4 HP MOTOR (1) | ②⑥ FM5-5006: ROCKER SWITCH (2) |
| ② FMM9-9513: DRIVE BELT (2) | ②⑦ FM-90/FM-91: OUTER/INNER GUARD BRACKET (1/1) |
| ③ N/A | ②⑧ FM-93: PROTECTIVE GUARD (1) |
| ④ FMM9-9506: IDLER PULLEY (2) | ②⑨ FMH-4000C: TABLE ASMB (1) |
| ⑤ FMM9-9517: SHROUD LOCKING KNOB (2) | ③⑩ FMH-3117: SAFETY APRON (1) |
| ⑥ FMM8-8502: TRAVERSE ROD (2) | ③① FMH-3001C: TOP DIE SHOE (1) |
| ⑦ FMM8-8500: END PLATE LEFT (1) | ③② FMH-3118: DIE PIN (2) |
| ⑧ FMM8-8501: END PLATE RIGHT (1) | ③③ FMH-3119C: SUPPORT PLATE (1) |
| ⑨ FMM9-9505: PULLEY (6) | ③④ FMH-20011: NEEDLE VALVE (1) |
| ⑩ FMM5-5506: HOUSING (2) | ③⑤ FM-83: 12 AMP TIME DELAY FUSE (1)FM-82: 8 AMP |
| ⑪ FMM5-5513: SPINDLE (2) | ③⑥ TIME DELAY FUSE (1) |
| ⑫ FMM9-9500: RIGHT PIVOT CHANNEL (1) | ③⑦ FMH-5008: CORD SET (1) |
| ⑬ FMM9-9502: LEFT PIVOT CHANNEL (1) | ③⑧ FMP2-2015: FOOT PEDAL GUARD (1) |
| ⑭ FMM5-5503: BEARING NUT (2) | ③⑨ FMH-100: FOOT PEDAL (1) |
| ⑮ FMH-5514: CHUCK (2) | ④⑩ 50-59: ADJUSTMENT FOOT (4) |
| ⑯ FMH-5515: INSERT (2) | ④① FMM5-5501: TOP BEARING (2) |
| ⑰ FMH-5517: INSERT SCREW (2) | ④② FMM5-5502: BOTTOM BEARING (2) |
| ⑱ FM5-5011: CHUCK RELEASE HOLD GUARD (2) | ④③ FMM9-9514: PULLEY BUSHING (4) |
| ⑲ FMM5-5512: ACCESS COVER (2) | ④④ FM3-3007: PIN HOUSING (2) |
| ⑳ FMH-C2A: CARD CAGE (1) | ④⑤ FMM6-650A: CHIP CHUTE ASMB (2) |
| ㉑ FMM5-5511: CAM BLOCK FOLLOWER (2) | ④⑥ FMH-2X: HYDRAULIC ASMB (1) W/HOSES (3) |
| ㉒ 5/16" HOLLOW DRILL BIT (2) | ④⑦ FMH-3126: HYDRAULIC CYLINDER (1) |
| ㉓ FMMS9-952A: SHROUD ASMB (1) | ④⑧ HL3H28: MALE ELBOW (2) |
| ㉔ FM-95: ACCESS GUARD (1) | ④⑨ HL3H26: FITTED ELBOW (2) |
| ㉕ FMH-1050: SWITCH GUARD (1) | ⑤⑩ FMM9-9535: WIRE HARNESS (1) |