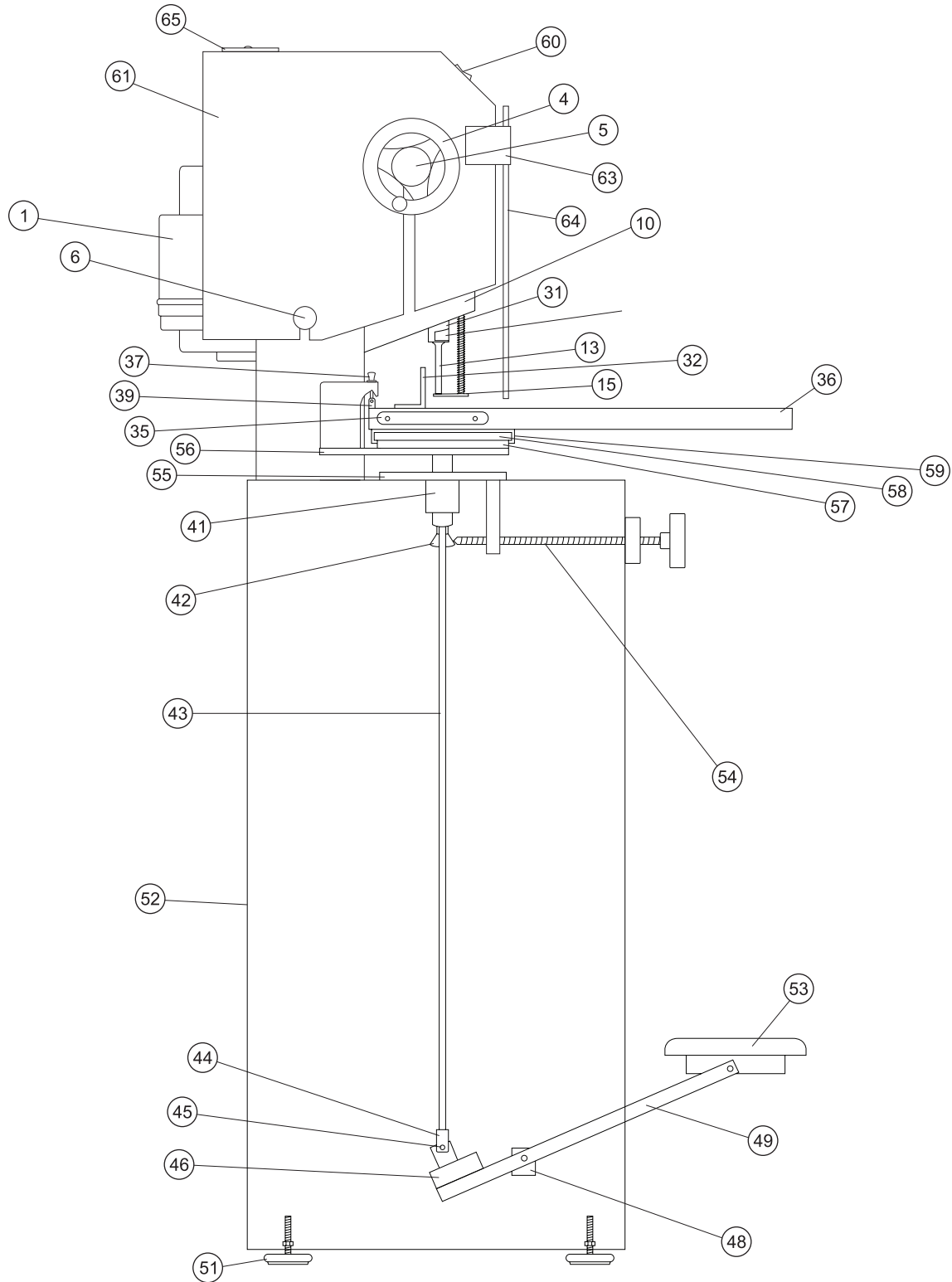


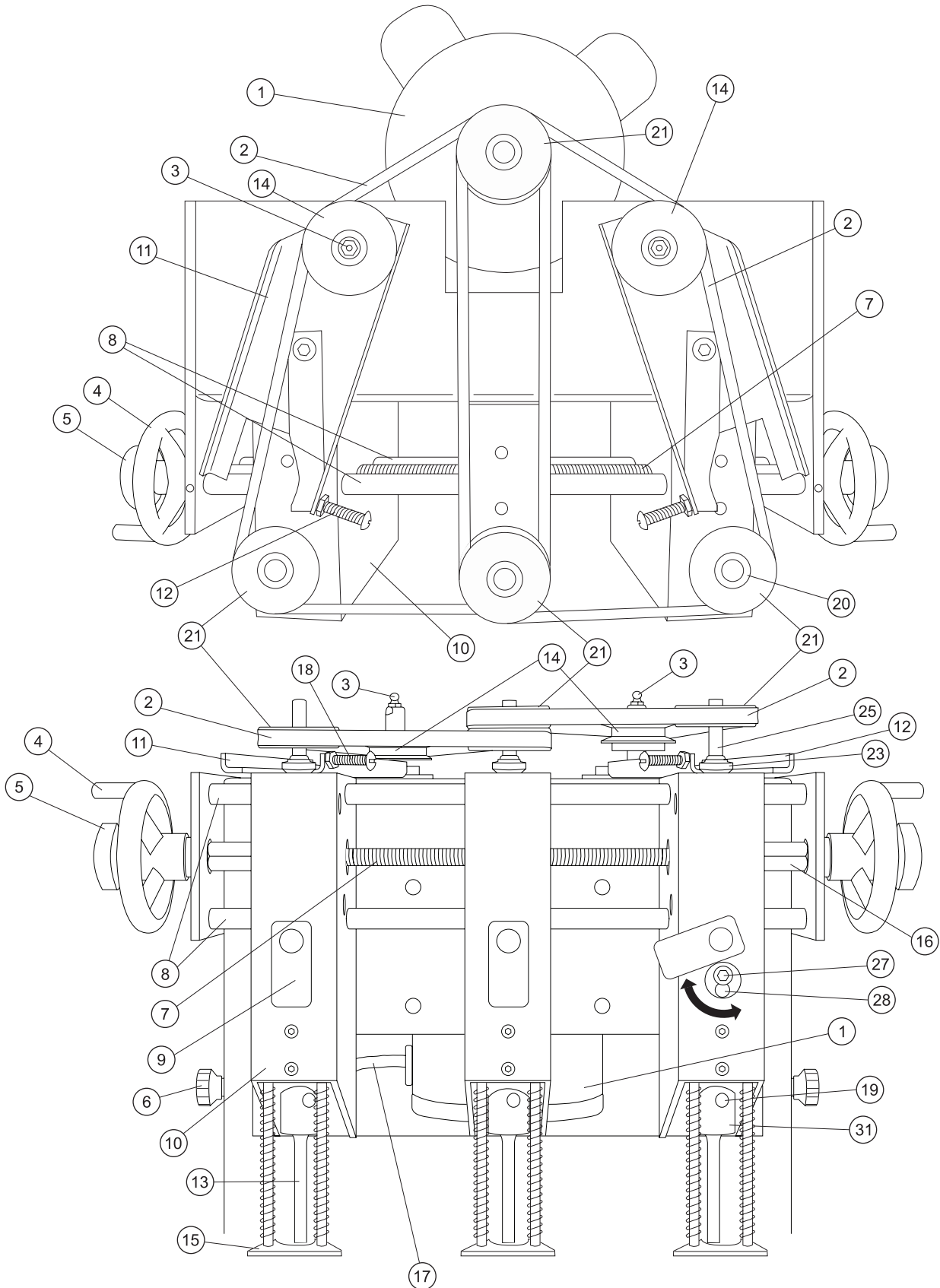
# Parts Diagram - Lassco-Wizer FMM-3 (obsolete 9-14-2009)

## Side View



# Parts Diagram - Lassco-Wizer FMM-3 (obsolete 9-14-2009)

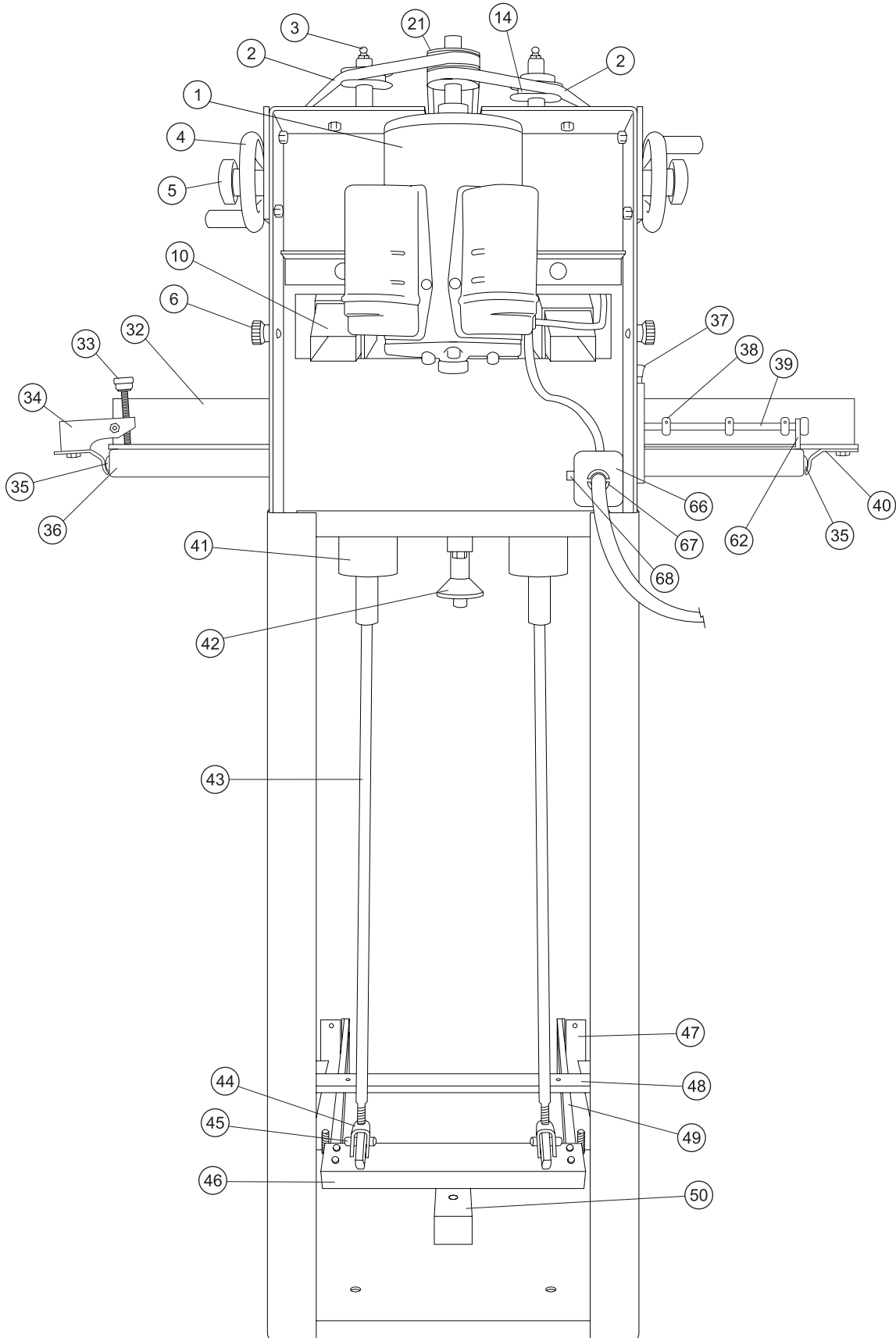
## Head Assembly





# Parts Diagram - Lassco-Wizer FMM-3 (obsolete 9-14-2009)

## Rear View



# Parts Diagram - Lassco-Wizer FMM-3 (obsolete 9-14-2009)

## Parts List

- |   |  |
|---|--|
| ① FMM9-9534: Motor                          | ③⑥ FM4-4000: Table                               |
| ② FMM9-9530: Drive Belt                     | ③⑦ FM4-401A: Pedestal Stop Assembly              |
| ③ Grease Fitting                            | ③⑧ EBM-47: Stop Collar                           |
| ④ FMM8-8504: Hand Wheel                     | ③⑨ FM4-4014: Stop Collar Rod                     |
| ⑤ FMM8-8508: Vertical Stop Knob (Lock Knob) | ④⑩ FM7-7002: Backgauge Clamping Bracket          |
| ⑥ FMM9-9517: Shroud Locking Knob            | ④① FM3-3007: Pin Housing                         |
| ⑦ FMM8-8503: Traverse Lead Screw            | ④② FM3-304A: Vertical Table Travel Stop Assembly |
| ⑧ FMM8-8502: Traverse Rods                  | ④③ FM2-2006: Push Rod                            |
| ⑨ FMM5-5512: Access Cover                   | ④④ FM-42: Short Clevis                           |
| ⑩ FMM5-5506: Housing                        | ④⑤ 50-31: Clevis Pin                             |
| ⑪ FMM9-9500: Left Pivot Channel             | ④⑥ FM2-201A: Push Rod Angle Assembly             |
| ⑫ FMM9-9502: Right Pivot Channel            | ④⑦ FM-37: Wear Strip                             |
| ⑬ Misc: Hollow Drill Bit                    | ④⑧ FM2-200A: Pivot Bar Assembly                  |
| ⑭ FMM9-9506: Idler Pulley                   | ④⑨ FM2-2009: Treadle Bar                         |
| ⑮ FM6-600A: Pressure Foot Assembly          | ⑤⑩ FM1-1006: Wood Stop                           |
| ⑯ FMM8-8508: Traverse Stop                  | ⑤① 50-59: Leveling Feet                          |
| ⑰ FMM9-9516: Cord Set                       | ⑤② FM1-1000: Stand                               |
| ⑱ Cam Adjustment Screw (Belt Adjustment)    | ⑤③ FM2-2013: Foot Treadle                        |
| ⑲ Chuck Release Hole                        | ⑤④ FM3-305A: Vertical Stop Adjustment Assembly   |
| ⑳ FMM9-9514: Pulley Bushing                 | ⑤⑤ FM3-30A: Die Traverse Assembly                |
| ㉑ FMM9-9505: Pulley                         | ⑤⑥ EBM2-1032: Pedestal Support Angle             |
| ㉒ 1/4 x 20 x 3/8 Socket Set Screw           | ⑤⑦ FM3-3016: Slide Plate Support                 |
| ㉓ FMM5-5503: Bearing Nut                    | ⑤⑧ FM3-3015: Slide Plate                         |
| ㉔ FMM5-5501: Top Bearing                    | ⑤⑨ FM4-4008: Traverse Channel                    |
| ㉕ FMM5-5513: Spindle                        | ⑥⑩ FM5-5006: On/Off Rocker Switch                |
| ㉖ FMM5-5502: Bottom Bearing                 | ⑥① FMM9-952A: Shroud Assembly                    |
| ㉗ FMM5-5517: Insert Retainer Screw          | ⑥② FM4-4016: Table Traverse Stop                 |
| ㉘ FMM5-5515: Insert                         | ⑥③ FM-90: Guard Bracket                          |
| ㉙ FMM5-5516: Spring                         | ⑥④ FM-93: Protective Guard                       |
| ㉚ FMM5-5518: Spring Retainer Screw          | ⑥⑤ FM-95: Access Guard                           |
| ㉛ FMM5-5514: Chuck                          | ⑥⑥ FM-80: Junction Box                           |
| ㉜ FM7-70A: Back Gauge Assembly              | ⑥⑦ FM-86: Strain Relief                          |
| ㉝ FM7-7005: Backgauge Knob                  | ⑥⑧ FM-82: 15 Amp Fuse                            |
| ㉞ FM7-7003: Clamp Bar                       |  |
| ㉟ FM4-4003: Side Iron                       |  |