

CR-50P Cornerounder®

USER'S MANUAL



ProSource Packaging, Inc.  
14911 Stuebner Airline Suite A  
Houston, TX 77069  
800-203-0233  
www.Machine-Solution.com

***Before operating this equipment, please read these instructions completely and keep these operating instructions for future reference.***

Serial Number: \_\_\_\_\_  
Date of Purchase: \_\_\_\_\_  
Dealer: \_\_\_\_\_  
Address: \_\_\_\_\_  
\_\_\_\_\_  
Telephone Number: \_\_\_\_\_

# Table Of Contents

## 1 - Introduction

- 1.1 Your New CR-50P..... Page 01
- 1.2 Shipping Damage Inspection..... Page 01

## 2 - Safety

- 2.1 Safety Instructions..... Page 02
- 2.2 Warning Labels..... Page 03
- 2.3 Grounding Instructions..... Page 04

## 3 - Setting Up Your Machine

- 3.1 Installing the Leveling Feet..... Page 05
- 3.2 Electrical Start Up..... Page 05
- 3.3 Cutting Unit Installation (Standard & Special Sizes)..... Page 06
- 3.4 Cutting Unit Installation (Large Sizes).. Page 07
- 3.5 Adjusting the Side Guides..... Page 07
- 3.6 Adjusting the Pressure Foot..... Page 08

## 4 - Operation

- 4.1 Corner Rounding Operation..... Page 08
- 4.2 Cutting Unit Capacities..... Page 08
- 4.3 Chip Removal..... Page 08

## 5 - Maintenance

- 5.1 Safety..... Page 09
- 5.2 Annual Lubrication..... Page 09

## 6 - Parts Diagram

- 6.1 Determining the Cause and Correction to Certain Problems..... Page 09

## 7 - Parts Diagram

- 7.1 Parts Diagram..... Page 11
- 7.2 Parts List..... Page 12

# 1 - Introduction

## 1.1 - Your New CR-50P

- Thank you for your purchase of the CR-50P Cornerounder®.
- We ask that you take a moment to fill in the serial number and other information on the front cover of the manual. Please keep this manual as a reference for future use.
- For parts and service, please contact the Lassco-Wizer Dealer from whom you purchased the machine. If you require assistance in locating a Lassco-Wizer Dealer please contact our customer service department at 585-436-1934. Please have the model of your machine and the serial number when you call.
- If you wish to write to us, send correspondence to:

Lassco-Wizer  
Attn: Customer Service  
485 Hague Street  
Rochester, NY 14606

## 1.2 - Shipping Damage Inspection

- Remove the machine from the carton and inspect for any shipping damage. If any damage is present, report the damage to the carrier immediately; failure to do so may void any warranties.

## 2 - Safety

### 2.1 - Safety Instructions

- All operators must read and understand the Users Manual including all safety instructions before using this equipment. Failure to fully understand the safety instructions can result in personal injury. If after reading the manual you are still uncertain about use, please contact the dealer from whom you purchased the machine for assistance. If you need contact information for a Service Technician nearest you please call 585-436-1934.
- SAFETY OF THIS EQUIPMENT IS THE RESPONSIBILITY OF THE USER(S).
- Please read and follow all warning labels on your machine.
- Keep hands clear while operating machine.
- ALWAYS USE SAFETY GLASSES. Everyday eyeglasses only have impact resistant lenses, they are NOT safety glasses.
- KEEP GUARDS IN PLACE and in working order.
- Always disconnect the power before servicing this machine. Service should only be performed by a QUALIFIED TECHNICIAN.
- DON'T USE IN DANGEROUS ENVIRONMENT. Don't use this machine in damp or wet locations, or expose it to rain. Keep work area well lighted.
- THIS MACHINE IS DESIGNED FOR ONE PERSON OPERATION. Never operate the machine with more than one person.
- KEEP CHILDREN AWAY. All visitors should be kept a safe distance from the work area.
- USE RIGHT MACHINE. Don't force tool or attachment to do a job for which it was not designed.
- MAINTAIN MACHINE WITH CARE. Keep tools sharp and clean for best and safest performance. Follow instructions for changing accessories.
- DISCONNECT MACHINE when changing accessories, such as cutting units.
- REDUCE THE RISK OF UNINTENTIONAL STARTING. Make sure the power switch is in the off position before plugging in.
- NEVER STAND ON MACHINE. Serious injury could occur if the machine is tipped.
- DO NOT OVERREACH. Keep proper footing and balance at all times.
- CHECK DAMAGED PARTS. Before further use of the machine, a guard or other part that is damaged should be carefully checked to determine that it will operate properly and perform its intended function--check for alignment of moving parts, binding of moving parts, breakage of parts, mounting, and any other conditions that may affect its operation. A guard or other part that is damaged should be properly repair or replaced.
- NEVER LEAVE MACHINE RUNNING UNATTENDED. TURN POWER OFF. Don't leave machine until it comes to a complete stop.
- DO NOT REMOVE PRESSURE FOOT ASSEMBLY
- KEEP WORK AREA CLEAN. Cluttered areas and benches invite accidents.
- DON'T FORCE TOOL. It will do the job better and safer at the rate for which it was designed.
- USE PROPER EXTENSION CORD. Make sure your extension cord is in good condition. When using an extension cord, be sure to use one heavy enough to carry the current your product will draw. An undersized cord will cause a drop in line voltage resulting in the loss of power and overheating. Cord Size should be 18 AWG for 0-25 feet long, 16 AWG for 50-200 feet long, and 14 AWG for 150-300 feet long. If in doubt, use the next heavier gauge. The smaller the gauge number, the heavier the cord.
- WEAR PROPER APPAREL. Do not wear loose clothing, gloves, neckties, rings, bracelets, or other jewelry or clothing which may get caught in moving parts. Non-slip footwear is recommended. Wear protective hair covering to contain long hair.
- SECURE WORK. Use Pressure Foot Assembly to hold work. It's safer than using your hand.
- DO NOT USE ACCESSORIES WITH THIS PRODUCT. Use of accessories or attachments may result in a risk of injury to persons.

# 2 - Safety

## 2.2 - Warning Labels

### English



- WARNING: DO NOT EXPOSE TO RAIN OR USE IN DAMP LOCATIONS.



#### ⚠ WARNING

Read and understand operator's manual and all other safety instructions before using this equipment



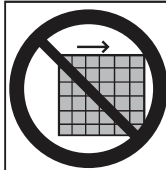
#### ⚠ WARNING

**Moving parts can crush and cut**  
**Keep hands clear while operating machine.**



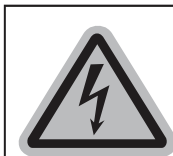
#### ⚠ WARNING

Risk of eye injury.  
Wear eye protection.



#### ⚠ WARNING

Risk of Injury.  
Do NOT operate without guards in place.



#### ⚠ DANGER

#### Severe shock hazard.

Only authorized personnel may service this equipment.  
Turn power OFF before entry.



### French

- AVERTISSEMENT: NE PAS EXPOSER À LA PLUIE ET NE PAS UTILISER DANS LES EMPLACEMENTS HUMIDES

#### ⚠ AVERTISSEMENT

Lire et bien comprendre le manuel de l'opérateur avant d'utiliser cette machine.

Le fait de ne pas suivre les consignes d'utilisation peut entraîner des blessures graves ou endommager l'équipement.

#### ⚠ AVERTISSEMENT

Les pièces mobiles peuvent écraser et couper.

Éloignez les mains lorsque vous opérez cette machine.

#### ⚠ AVERTISSEMENT

Risque de blessures aux yeux.

Protection des yeux nécessaire.

#### ⚠ AVERTISSEMENT

Faire attention de ne pas se blesser.

Ne pas utiliser cette machine sans la présence de tous les dispositifs de sécurité.

#### ⚠ DANGER

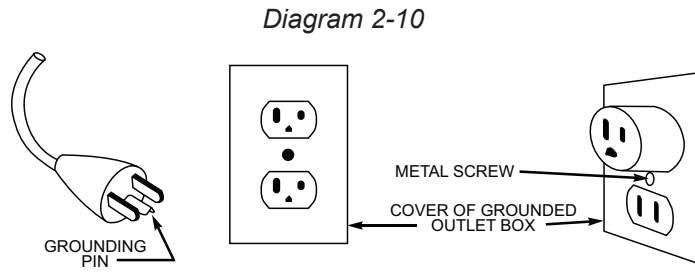
Grave risqué d'électrocution.

Seul le personnel autorisé peut faire l'entretien de cet équipement.

COUPEZ l'alimentation électrique avant d'entrer.

## 2 - Safety

### 2.3 - Grounding Instructions

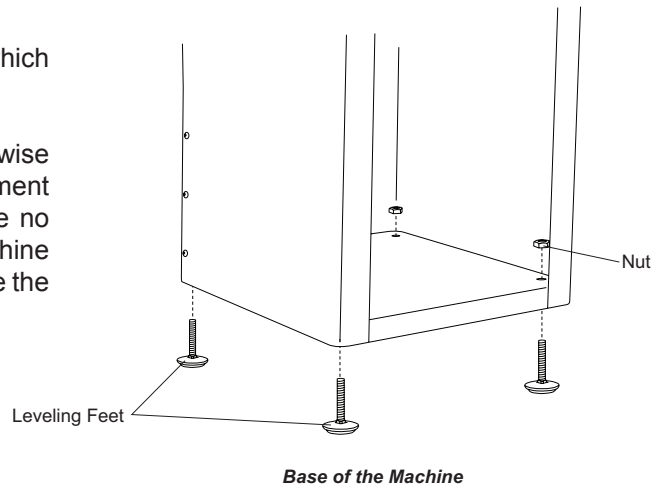


- In the event of a malfunction or breakdown, grounding provides a path of least resistance for electric current to reduce the risk of electric shock. This tool is equipped with an electric cord having an equipment-grounding conductor and a grounding plug. The plug must be plugged into a matching outlet that is properly installed and grounded in accordance with all local codes and ordinances.
- **DO NOT MODIFY THE PLUG PROVIDED.** If it will not fit the outlet, have the proper outlet installed by a **QUALIFIED ELECTRICIAN**.
- Improper connection of the equipment-grounding conductor can result in a risk of electric shock. The conductor with insulation having an outer surface that is green with or without yellow stripes is the equipment-grounding conductor. If repair or replacement of the electric cord or plug is necessary, do not connect the equipment-grounding conductor to a live terminal. Check with a **QUALIFIED ELECTRICIAN** or service personnel if the grounding instructions are not completely understood, or if in doubt as to whether the tool is properly grounded. Use only 3-wire extension cords that have 3-prong grounding plugs and 3-pole receptacles that accept the machine's plug.
- This machine is intended for use on a circuit that has an outlet that looks like the one illustrated in diagram 2-10. The machine has a grounding plug that looks like the plug illustrated in diagram 2-10. Make sure the machine is connected to an outlet having the same configuration as the plug. No adapter is available or should be used with this machine. If the machine must be reconnected for use on a different type of electric circuit, the reconnection should be made by qualified service personnel; and after reconnection, the tool should comply with all local codes and ordinances.

# 3 - Setting Up Your Machine

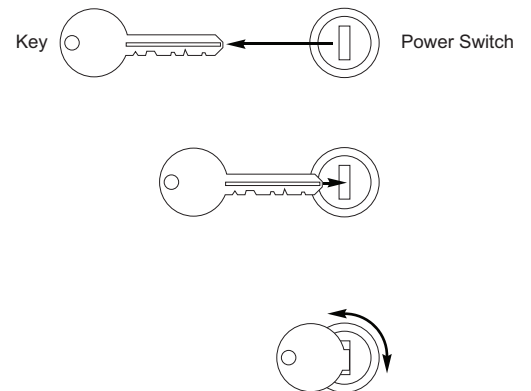
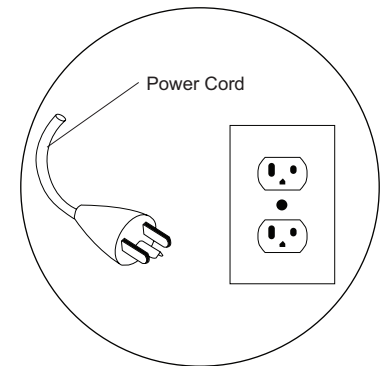
## 3.1 - Installing the Leveling Feet

- 3.1.1** Set the machine down in its desired location and determine if the machine is level, making sure that it does NOT rock in any direction. If it does, determine which Leveling Feet need to be adjusted and whether they need to be adjusted up or down.
- 3.1.2** If adjustment is needed, start by loosening the four (4) nuts which are accessed through the rear of the machine.
- 3.1.3** Next adjust the four (4) Leveling Feet by screwing them clockwise to raise the or counter-clockwise to lower. After each adjustment set the machine down completely to verify that the machine no longer rocks. Continue adjustment as needed until the machine sits securely in place. Tighten the four (4) nuts down to secure the position of the Leveling Feet.



## 3.2 - Electrical Start Up

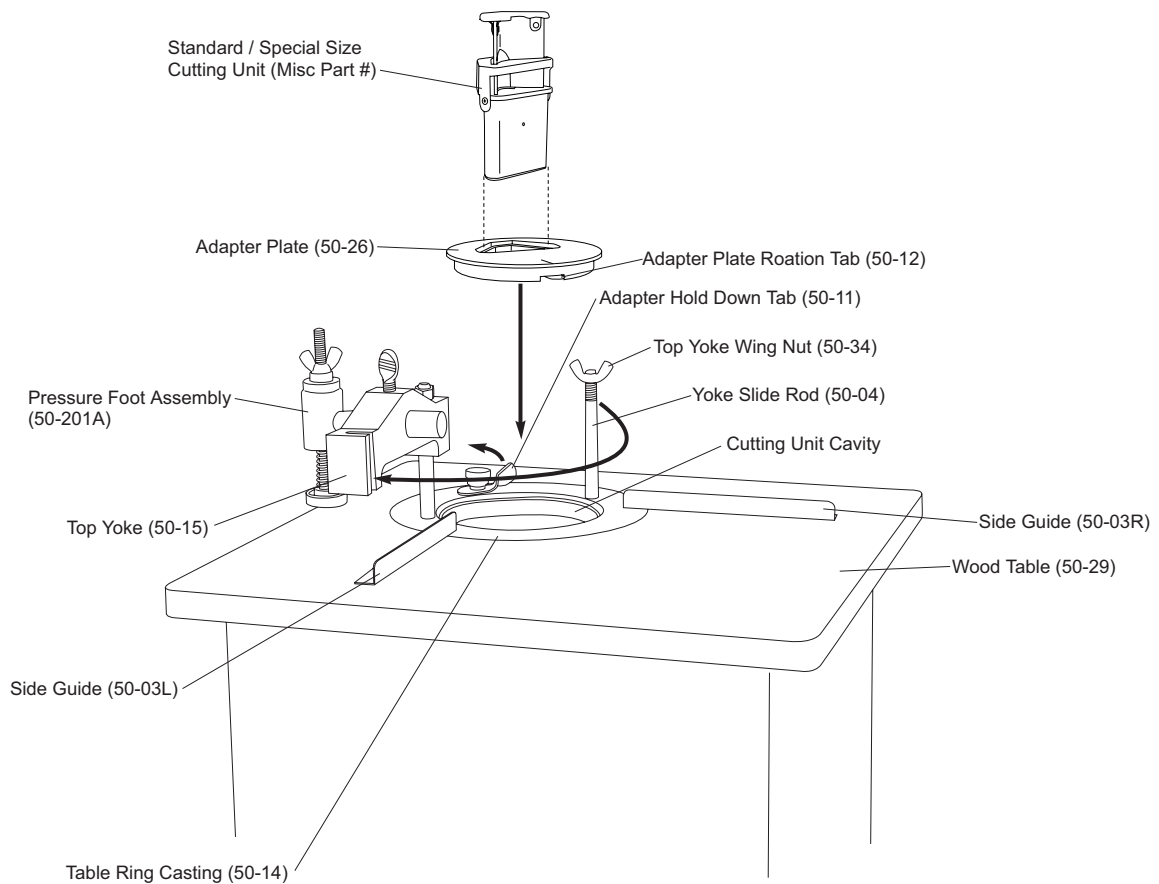
- 3.2.1** Your CR-50P comes with an electrical cord containing the plug to fit into a standard grounded 115V outlet.
- 3.2.2** Your CR-50P also has a power switch with keyed lock-out. Make sure that the key is removed before continuing on to step 3.2.3. Also make sure that the key is removed while setting up the machine, while performing maintenance, and while the machine is not being used; this will help prevent unwanted activation of moving parts that can crush or cut.
- 3.2.3** Making sure that nothing is interfering with the cutting unit, plug the cord set into a grounded 115V outlet. To turn the machine on, press the Rocker Switch on the front of the machine up. To turn the machine off press the Rocker Switch on the front of the machine down.
- 3.2.4** To activate the machine, insert the key into the power switch and rotate clockwise. To Turn the machine off, turn rotate the key counter-clockwise and remove to ensure Lock-Out.



## 3 - Setting Up Your Machine

### 3.3 - Cutting Unit Installation (Standard & Special Sizes)

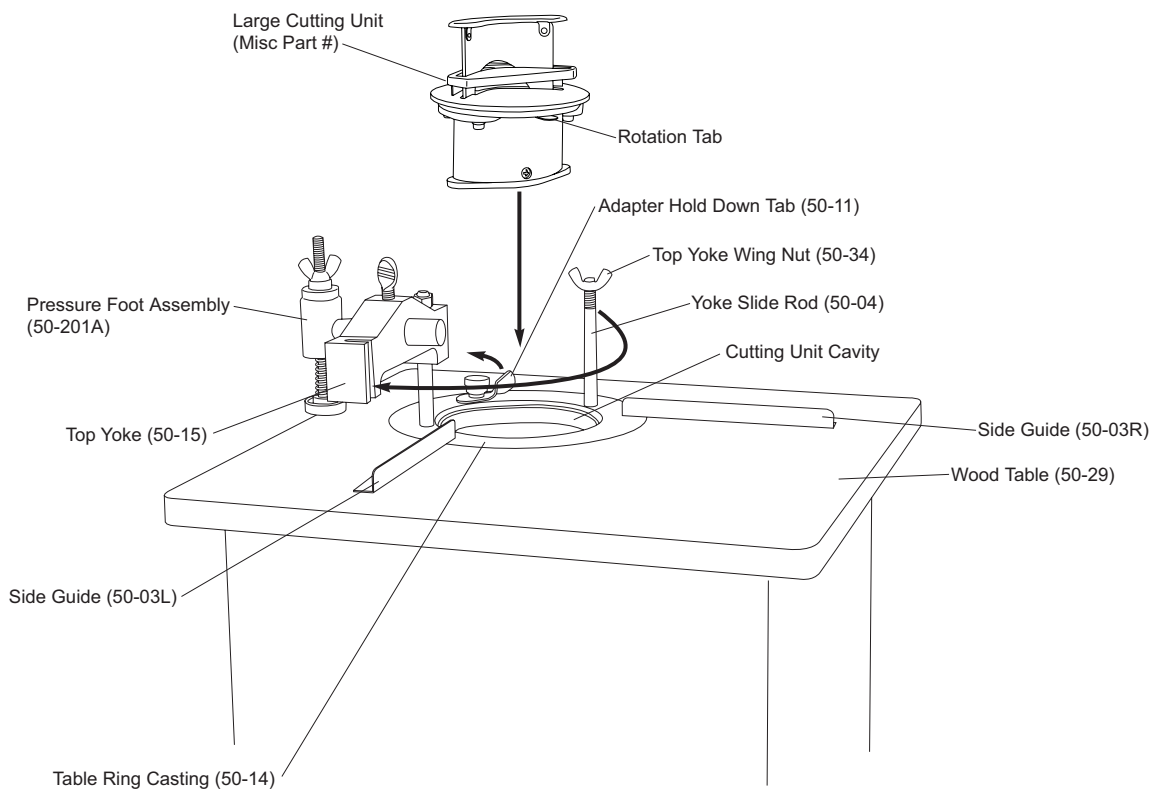
- 3.3.1** Loosen the Top Yoke Wing Nut (50-34) on the right hand side of the Top Yoke (50-15) and swing the Top Yoke toward you to obtain access to the Cutting Unit Cavity in the Table Ring Casting (50-14).
- 3.3.2** Making sure the Adapter Hold Down Tab (50-11) is not in the way, insert the Adapter Plate (50-26) into the Table Ring Casting. Make sure that the Adapter Plate Rotation Tab (50-12) slips under the Table Ring Casting into its designated groove to prevent unwanted rotation of the Adapter Plate. Turn the Adapter Hold Down Tab so that it locks the Adapter Plate into place.
- 3.3.3** Insert the Cutting Unit into the Adapter Plate.
- 3.3.4** Swing the Top Yoke back into its original position making sure it is fully engaged in the Yoke Slide Rod (50-04). Tighten down the Top Yoke Wing Nut to secure in place.
- 3.3.5** Depress the Foot Pedal to engage the cutting cycle making sure to check that the Cutting Unit is working properly.



## 3 - Setting Up Your Machine

### 3.4 - Cutting Unit Installation (Large Sizes)

- 3.4.1** Loosen the Top Yoke Wing Nut (50-34) on the right hand side of the Top Yoke (50-15) and swing the Top Yoke as shown to obtain access to the Cutting Unit Cavity in the Table Ring Casting (50-14).
- 3.4.2** Make sure the Adapter Plate has been removed.
- 3.4.3** Insert the Large Size Cutting Unit into the Table Ring Casting by tilting and seating it and pushing back and down until it is secure in place. Make sure the Rotation Tab on the Cutting Unit slips under the Table Ring Casting into its designated groove to prevent unwanted rotation of the Cutting Unit. Turn the Adapter Hold Down Tab (50-11) so that it locks the Cutting Unit into place.
- 3.4.4** Swing the Top Yoke back into its original position making sure it is fully engaged in the Yoke Slide Rod (50-04). Tighten down the Top Yoke Wing Nut to secure in place.
- 3.4.5** Depress the Foot Pedal to engage the cutting cycle making sure to check that the Cutting Unit is working properly.



### 3.5 - Adjusting the Side Guides

- 3.5.1** Adjust the Side Guides so that they are square with the cutting unit you are using. We recommend using a right angle tool (not included).
- 3.5.2** Slide the tool into the corner of the Cutting Unit making sure it is square with both edges of the Knife.
- 3.5.3** Loosen the Screws on the Side Guides and adjust as needed. Re-tighten the screws to secure the Side Guides.

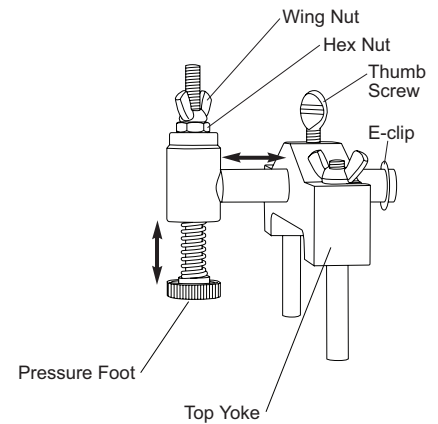


## 3 - Setting Up Your Machine

### 3.6 - Adjusting the Pressure Foot

#### ***PRESSURE FOOT ASSEMBLY IS NOT REMOVEABLE***

- 3.6.1** To adjust horizontally (depending on the size of the Cutting Unit) loosen the center Thumb Screw on the Top Yoke, adjust in or out until the Pressure Foot clears the black guard on the Cutting Unit. Secure by tightening the center Wing Nut down.
- 3.6.2** Adjust the Pressure Foot clamping pressure to accommodate different product heights. Loosen the Wing Nut on the top of the Pressure Foot. Tighten the Hex Nut underneath to increase the pressure. Loosen the Hex Nut to decrease pressure. When the pressure is set as desired tighten down the Wing Nut to lock the tension in place.



## 4 - Operation

### 4.1 - Corner Rounding Operation

- 4.1.1** Place the product you are cutting onto the Wooden Top Plate and push it into the corner aligning it with the Two Side guides.
- 4.1.2** Press down firmly to prevent the product from sliding out of the corner.
- 4.1.3** Depress the Foot Pedal once to engage the cutting cycle. The Pressure Foot will come down helping to secure the product in place. The Cutting Unit will cycle through once.
- 4.1.4** If you hold down the Foot Pedal, the Cutting Unit will cycle through at the rate of 30 strokes per minute. Rotate the product as the Pressure Foot rises releasing its pressure on the product.
- 4.1.5** Repeat as needed
- 4.1.6** It may be necessary to adjust the Side Guides to compensate for variation in the cutting unit geometry, especially when changing from a Standard / Special Size Cutting Unit to a Large Size Cutting Unit.

### 4.2 - Cutting Unit Capacities

**4.2.1** Standard / Special Size Cutting Units:

These size Cutting Units were designed to handle up to a 1/2" stack of paper. They will also cut many other materials such as plastics, cardboard, celluloid, leather, wood, and even light soft metals. With heavier materials, however, best results may be obtained if only one or a few pieces are cut at a time.

**4.1.2** Large Size Cutting Units:

These size Cutting Units were designed to handle up to a 1/8" stack of paper. They will also cut many other materials such as plastics, cardboard, celluloid, leather, and wood. With heavier materials, however, best results may be obtained if only one or a few pieces are cut at a time.

### 4.3 - Chip Removal

- 4.3.1** Place a waste bin or a disposable basket underneath the Chip Chute on the rear of the machine. This will catch the chips as they are cut and slide down the Chip Chute. Empty as needed.

## 5 - Maintenance

### 5.1 - Safety



**ALWAYS DISCONNECT THE POWER BEFORE PERFORMING MAINTENANCE ON THIS MACHINE. MAINTENANCE SHOULD ONLY BE PERFORMED BY A QUALIFIED TECHNICIAN.**



**KEEP HANDS CLEAR WHILE PERFORMING MAINTENANCE ON THIS MACHINE. MOVING PARTS CAN CRUSH AND CUT.**

### 5.2 - Annual Lubrication

- 5.2.1** Lightly oil the two Yoke Slide Rods where they enter the adapter ring approximately every two weeks or as needed depending on use.
- 5.2.2** Remove the back panel and lightly oil the connection where the Draw Bar and Cam Bar pivot every 30 days or as needed depending on use.

## 6 - Troubleshooting

### 6.1 - Determining the Cause and Correction to Certain Problems

<b>Problem</b>	<b>Cause</b>	<b>Correction</b>
Machine makes a squeak during operation	This is inherent in the motor itself and is a normal during operation	No correction is needed
Machine won't start	Power supply insufficient	Inspect and test power supply
	Fuse has blown	Replace fuse
Grinding noise from motor when stopping or reaching full cycle	Faulty Brake-Hub Assembly	Contact a Qualified Service Technician
Machine will not cycle or cut material	Material is too thick or too hard	Decrease the size of the stack you are attempting to cut

# 6 - Troubleshooting

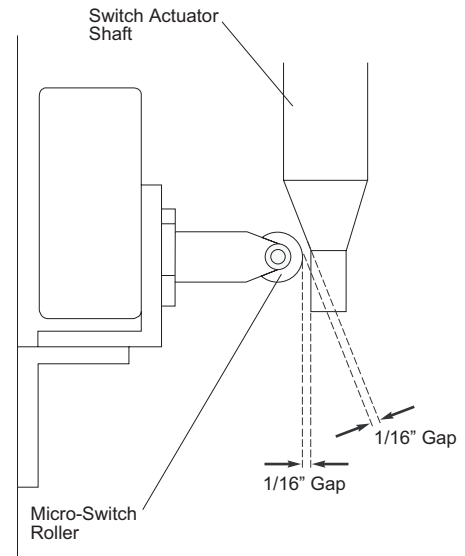
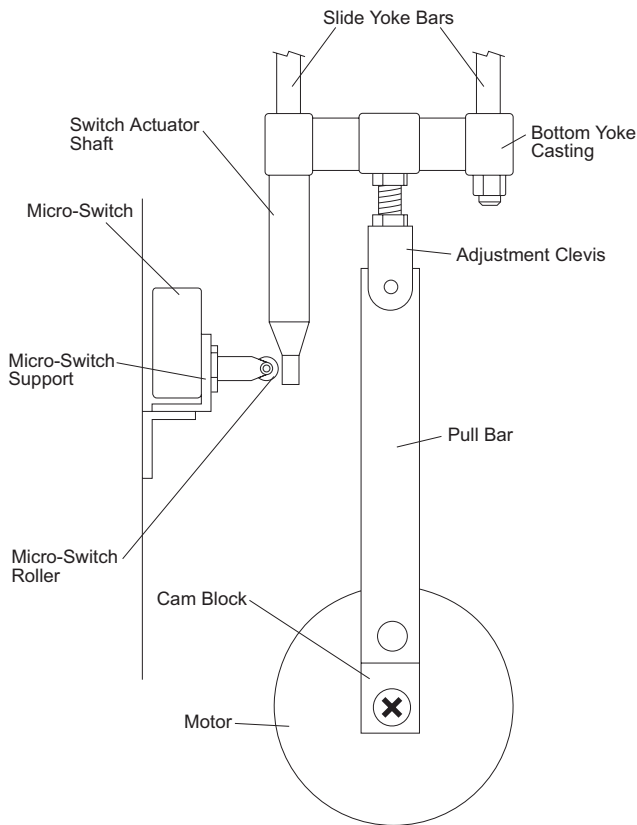
## 6.1 - Determining the Cause and Correction to Certain Problems

Problem	Cause	Correction
Machine cycles continuously	Foot Pedal stuck in depressed mode	Replace foot pedal
	Micro-Switch is faulty or out of adjustment	See Micro-Switch adjustment below

To properly adjust the Micro-Switch:

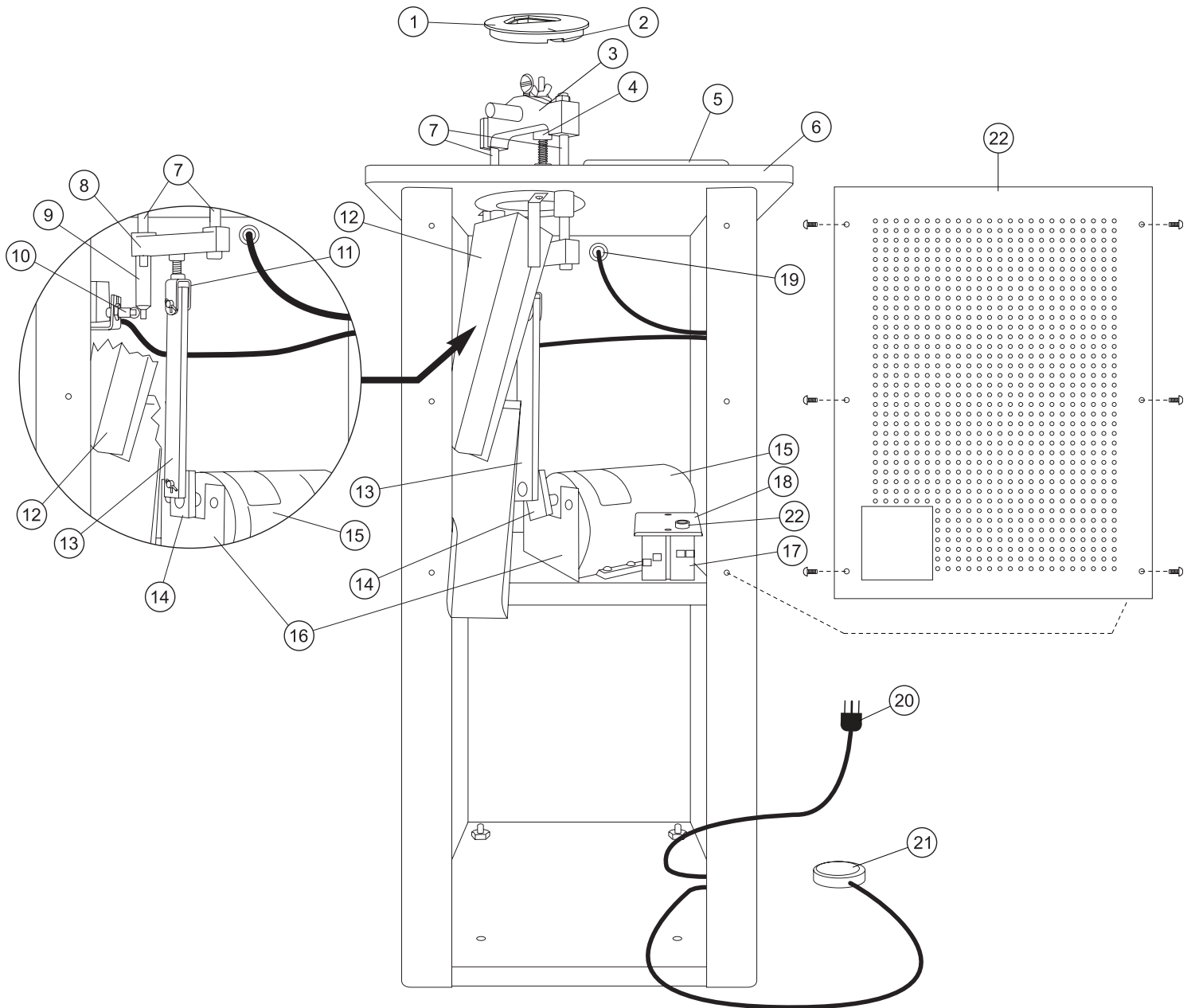
**6.1.1** Rotate the motor until the Cam Block is at the top dead center as shown in the diagram below.

**6.1.2** Reposition the Micro-Switch so that there is a 1/16" gap between the Micro-Switch Roller and the angle on the Switch Actuator Shaft. There should also be a 1/16" gap between the Micro-Switch Roller and the narrow diameter of the Switch Actuator Shaft as shown in the diagram below.



# 6 - Parts Diagram

## 6.1 - Parts Diagram



# 6 - Parts Diagram

## 6.2 - Parts List

- ① 50-26: Adapter Plate
- ② 50-12: Adapter Plate Rotation Tab
- ③ 50-15: Top Yoke
- ④ 50-201A: Pressure Foot Assembly
- ⑤ 50-03L: Left Paper Guide (50-03R: Right Paper Guide Not Shown)
- ⑥ 50P-80: Wood Table
- ⑦ 50-04: Yoke Slide Rods
- ⑧ 50P-41: Bottom Yoke
- ⑨ 50P-22: Microswitch Actuator
- ⑩ 50P-2000A: Microswitch Assembly
- ⑪ FM-42 & 50-31: Clevis & Clevis Pin
- ⑫ 50P-3000A: Upper Chute Assembly
- ⑬ 50P-60: Pull Bar
- ⑭ 50P-61: Cam Block
- ⑮ 50P-2004A: Gear Motor Assembly
- ⑯ 50P-24: Motor Face Support
- ⑰ 50P-25: Plastic Junction Box
- ⑱ 50P-26: Junction Box Cover with Screws
- ⑲ EBM-68: Toggle Switch
- ⑳ Cord Set
- ㉑ 50P-27: Foot Switch
- ㉒ 50P-90: Back Cover
- ㉓ L-1001: 3 AMP Fuse