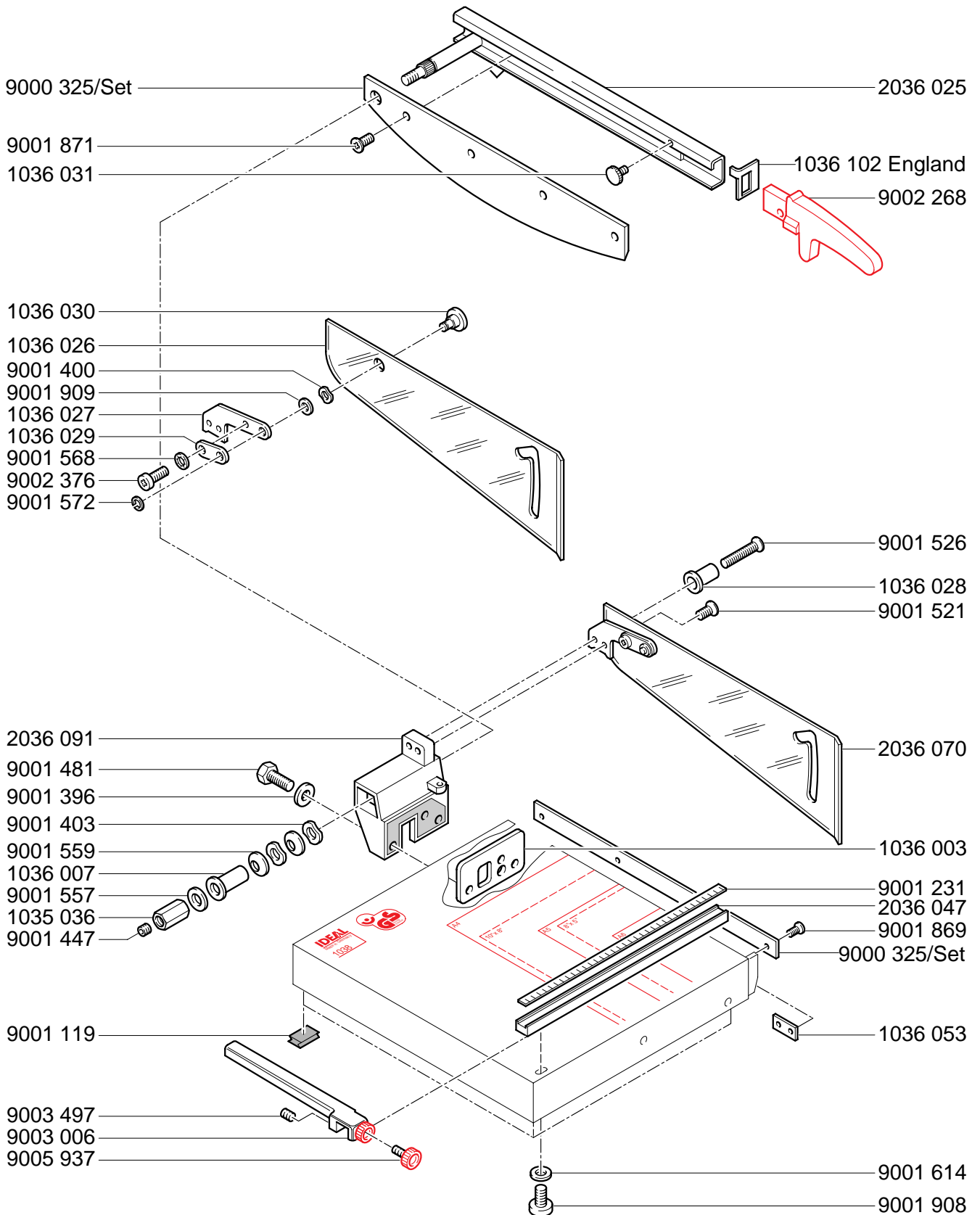
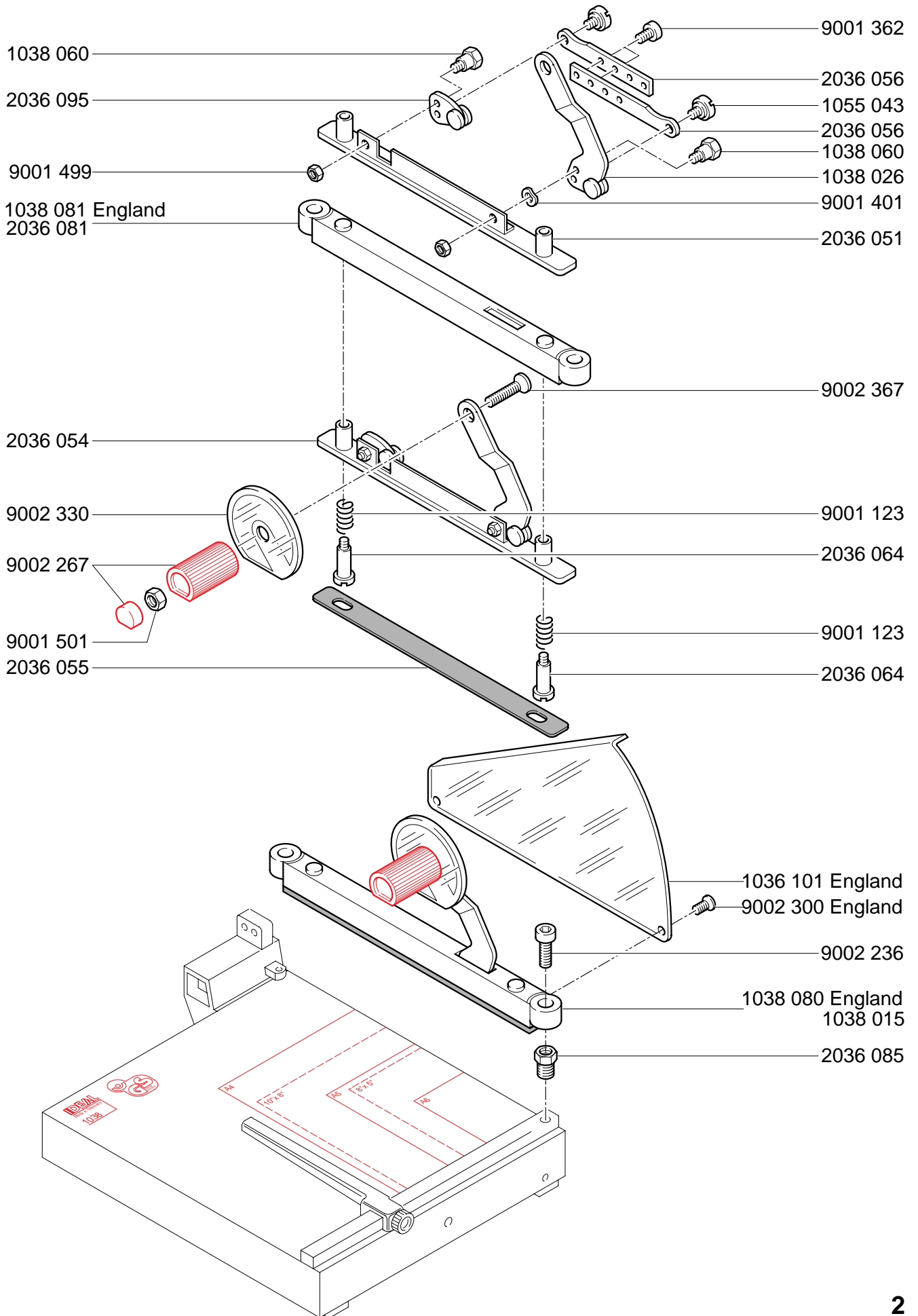


# Mod. 1038 A

ProSource Packaging, Inc.  
 14911 Stuebner Airline Suite A  
 Houston, TX 77069  
 800-203-0233  
 www.Machine-Solution.com



# Mod. 1038 A



# Mod. 1038 A

