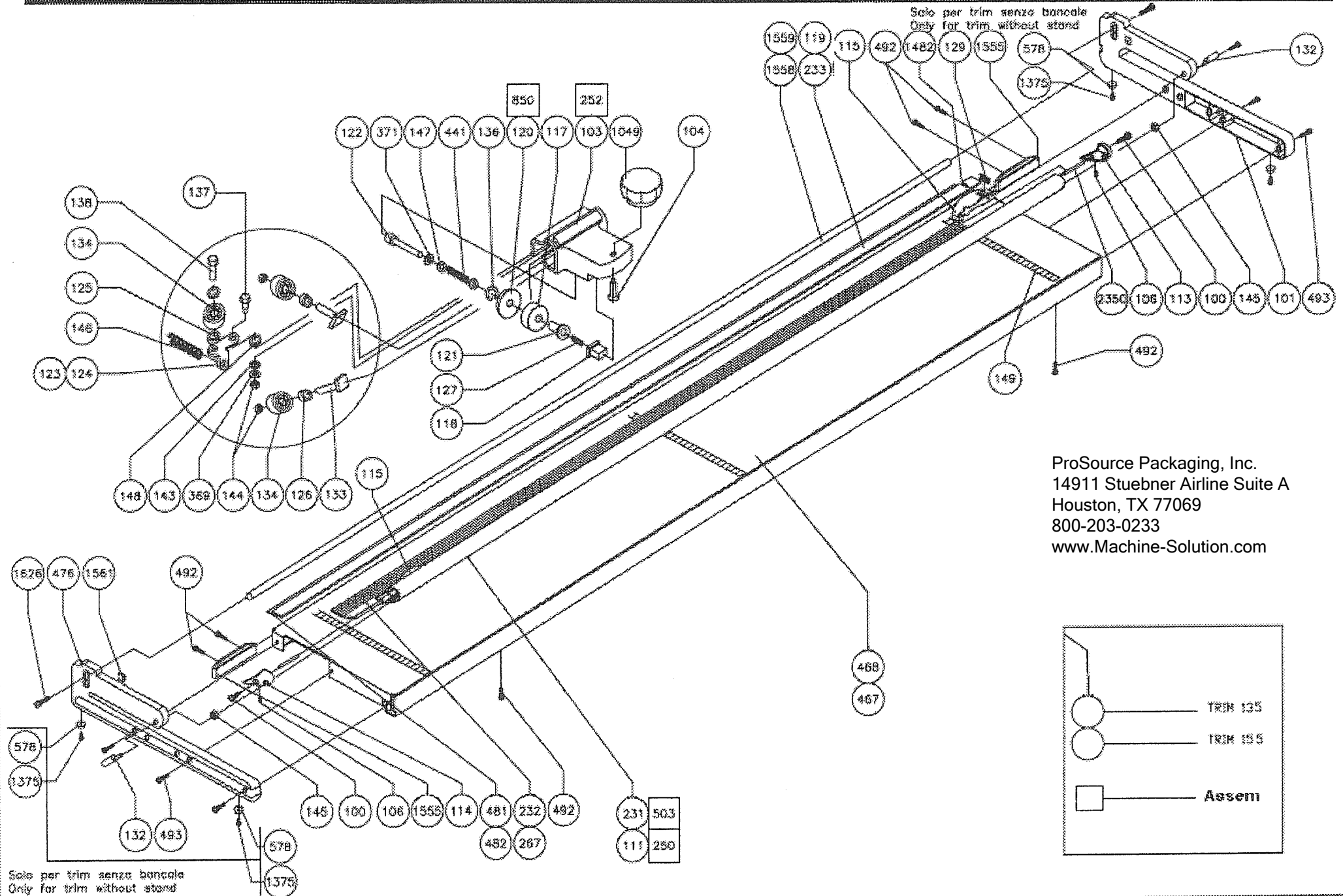


# TRIM 135 155

REV.4 - 09/2005



ProSource Packaging, Inc.  
 14911 Stuebner Airline Suite A  
 Houston, TX 77069  
 800-203-0233  
[www.Machine-Solution.com](http://www.Machine-Solution.com)



# TRIM 135 155

REV,3 - 06/2005

OPZIONALE/OPTIONAL

