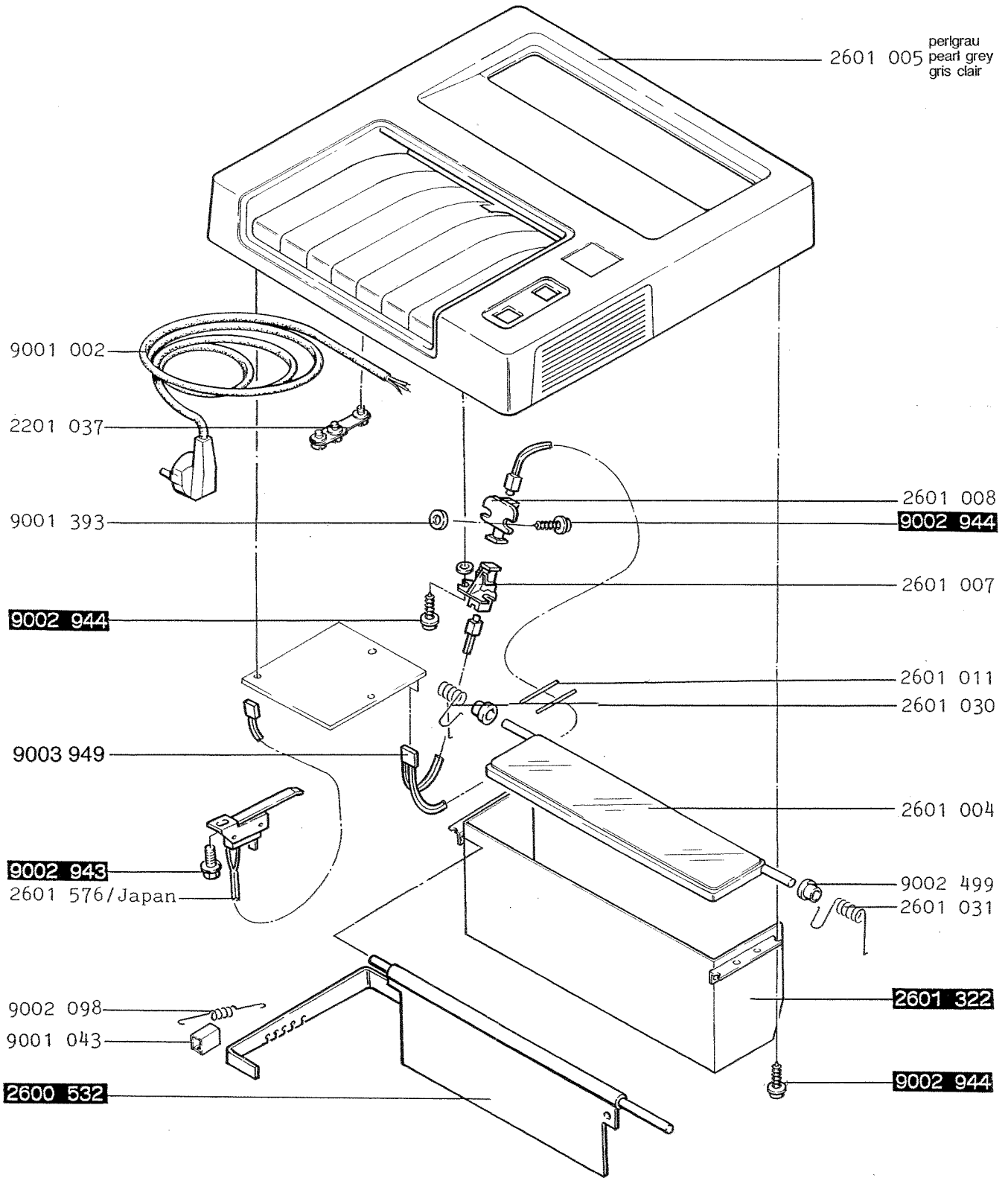
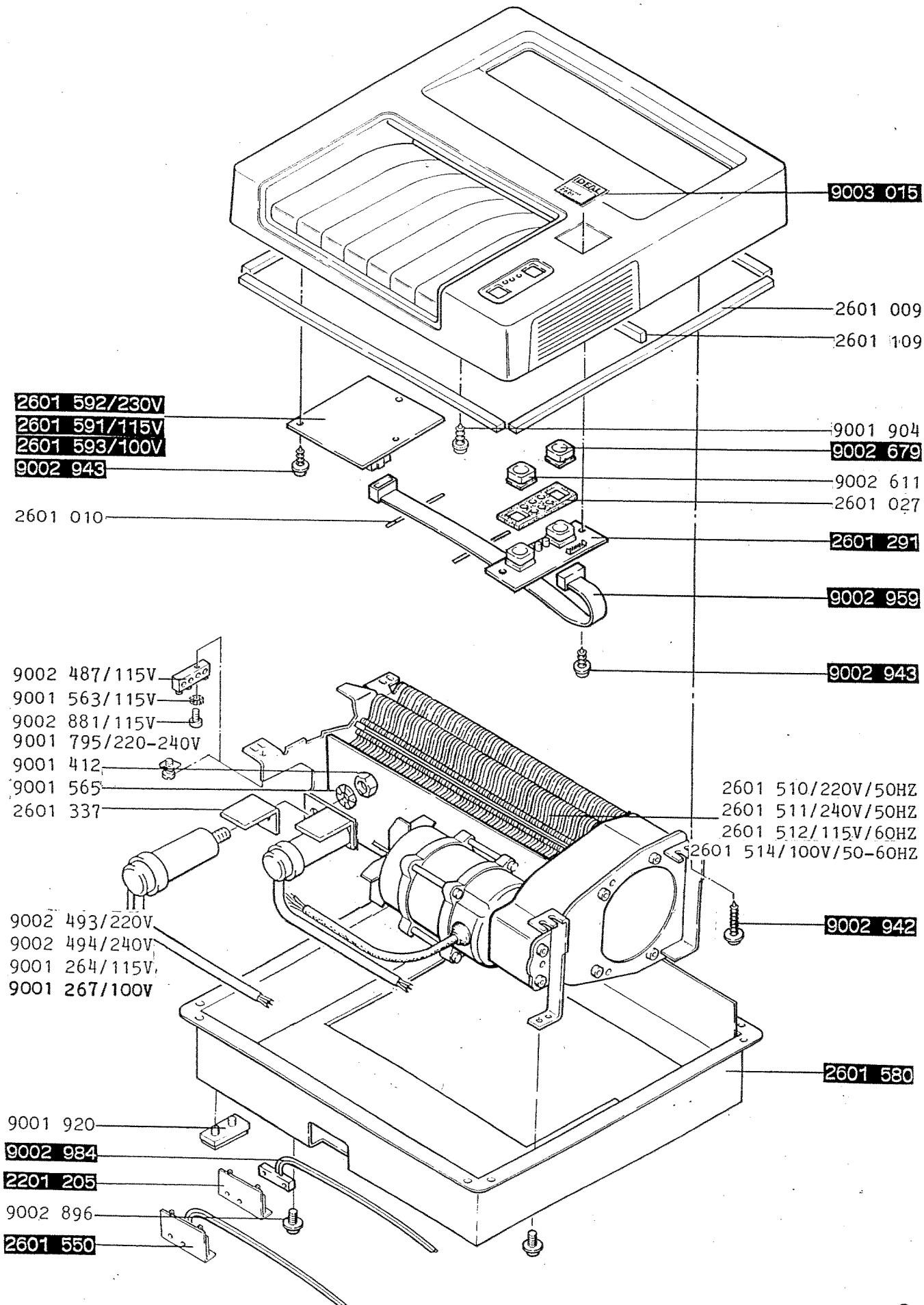


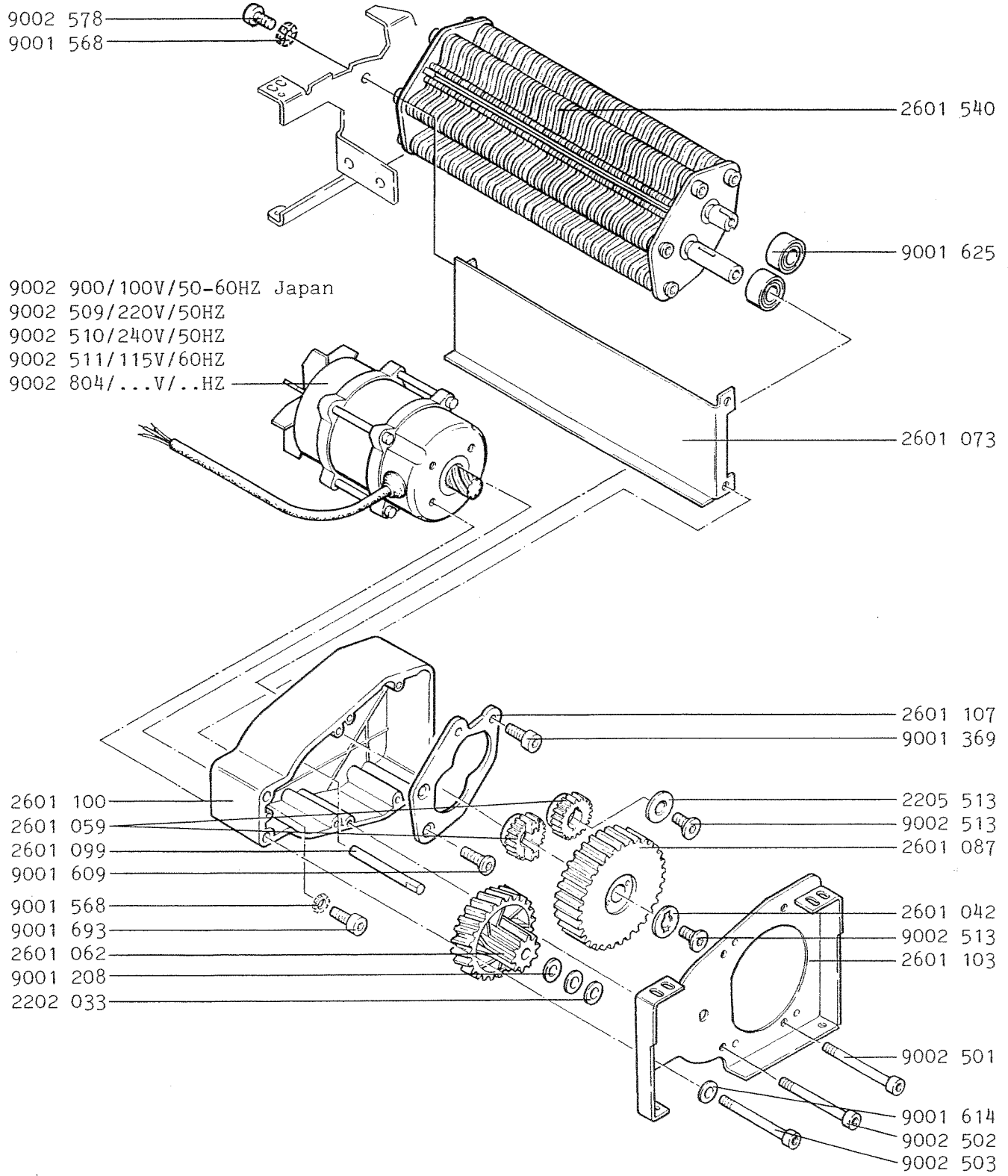
Mod. 2601 B

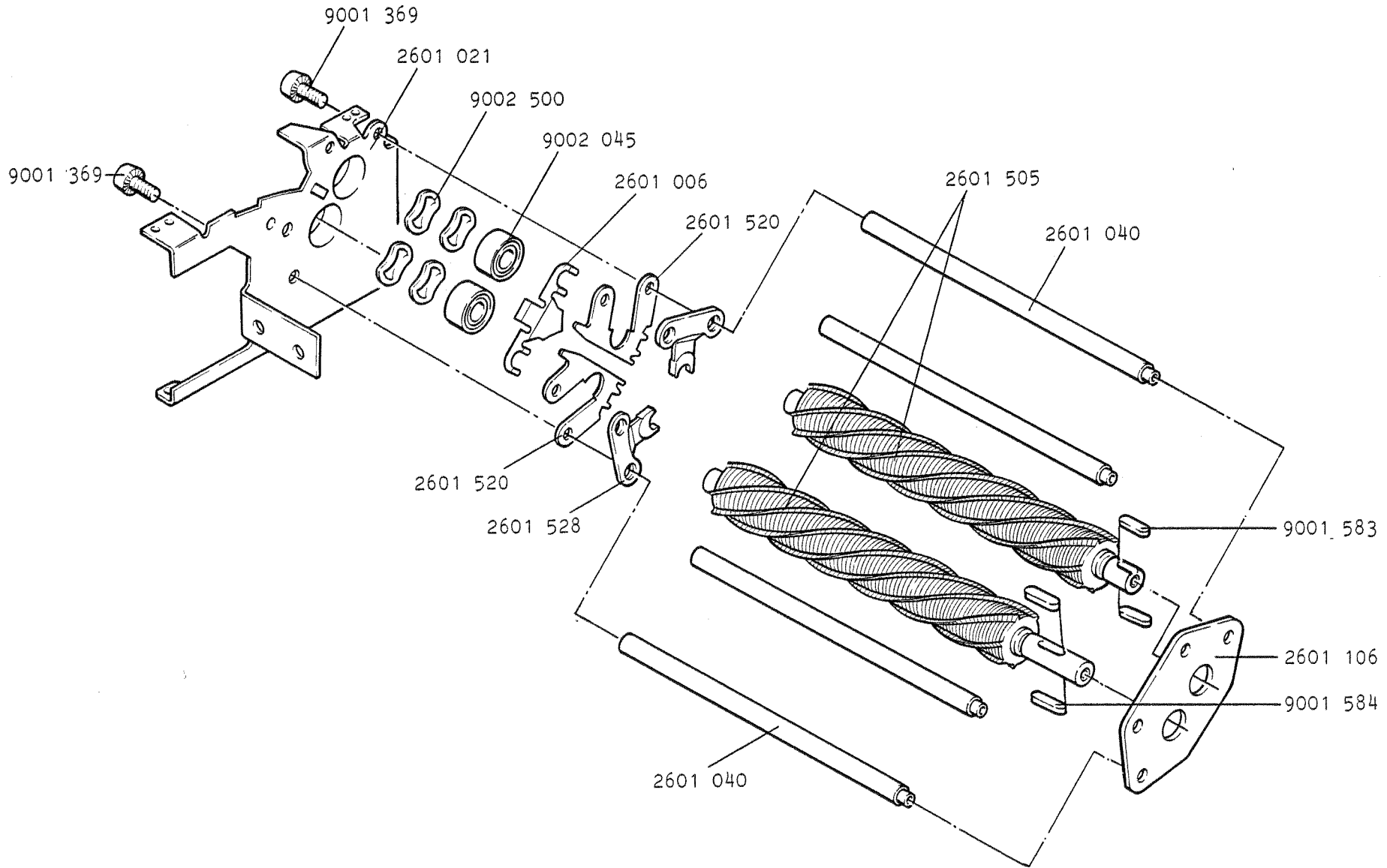


Mod. 2601 B



Mod. 2601 B

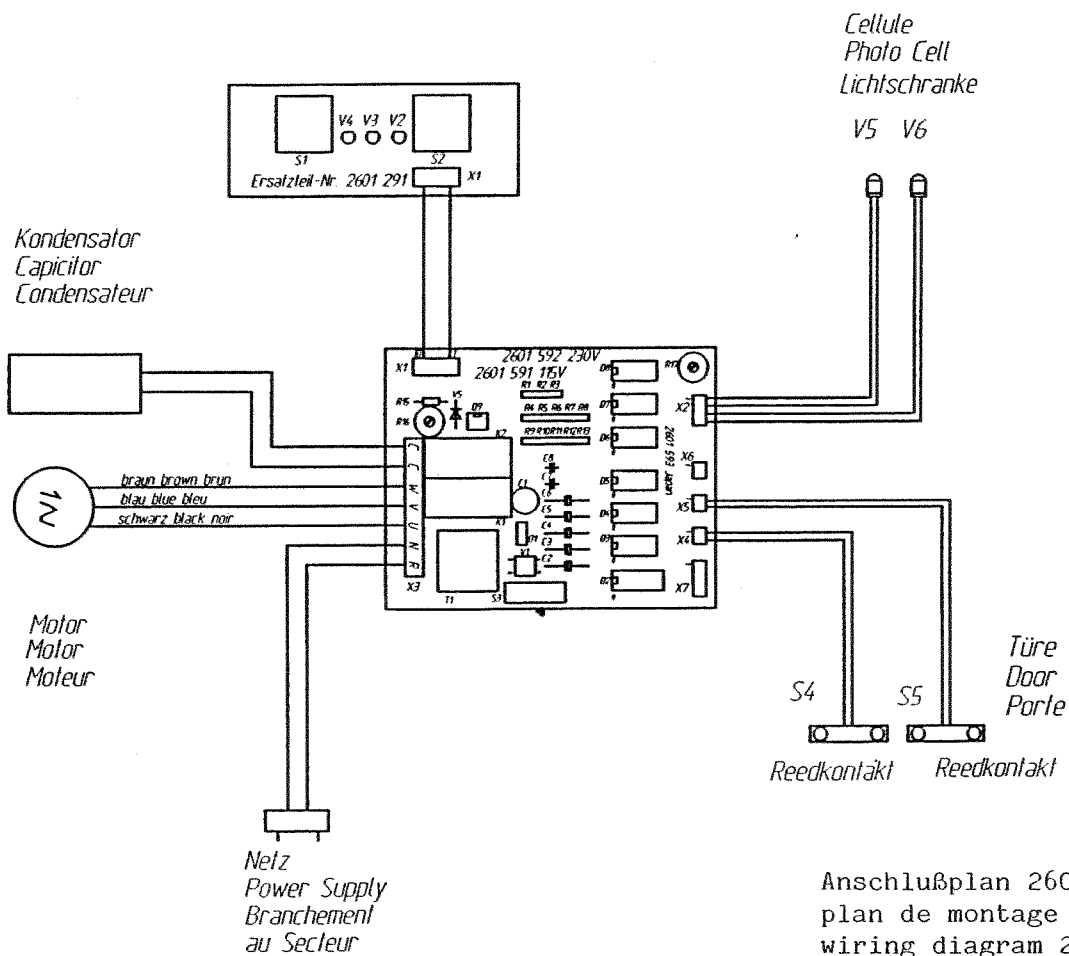
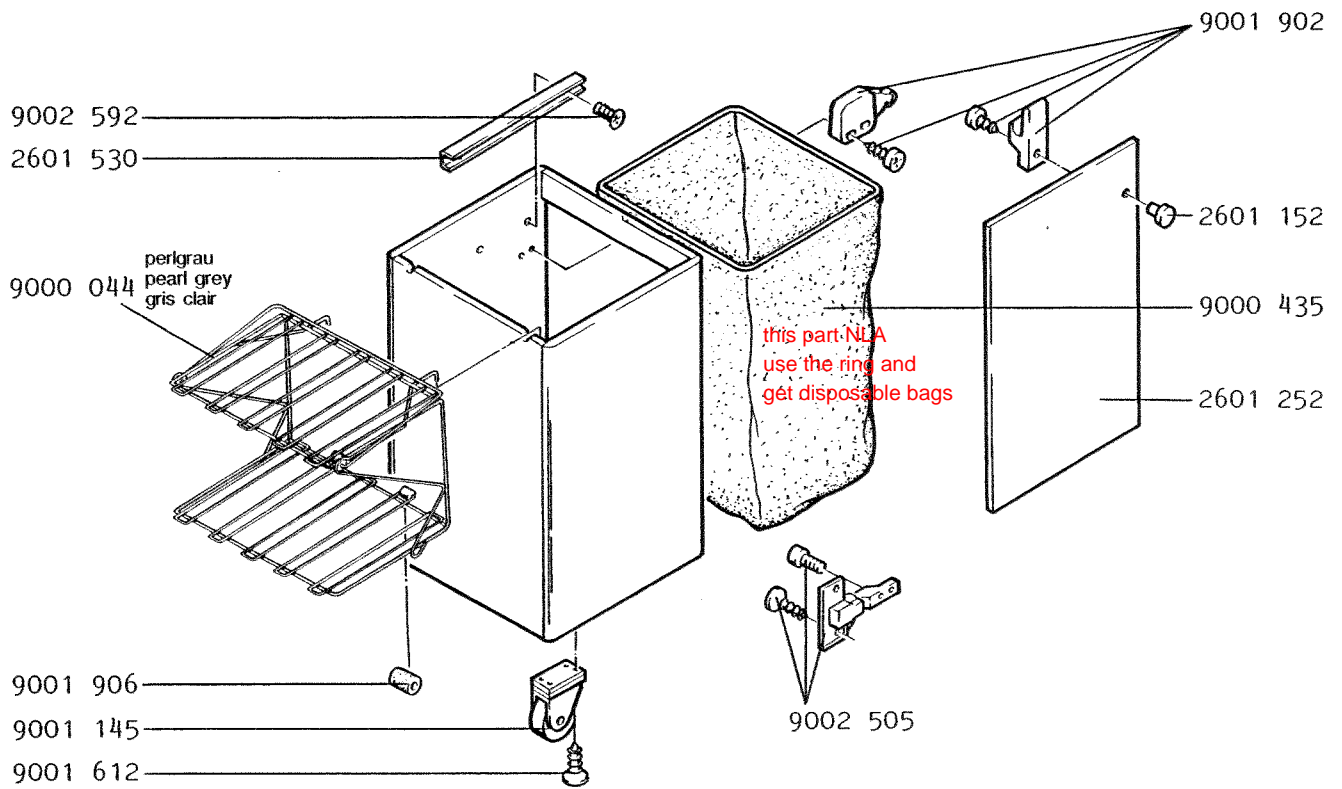




Mod. 2601 B

CROSS / CUT
2 x 15mm

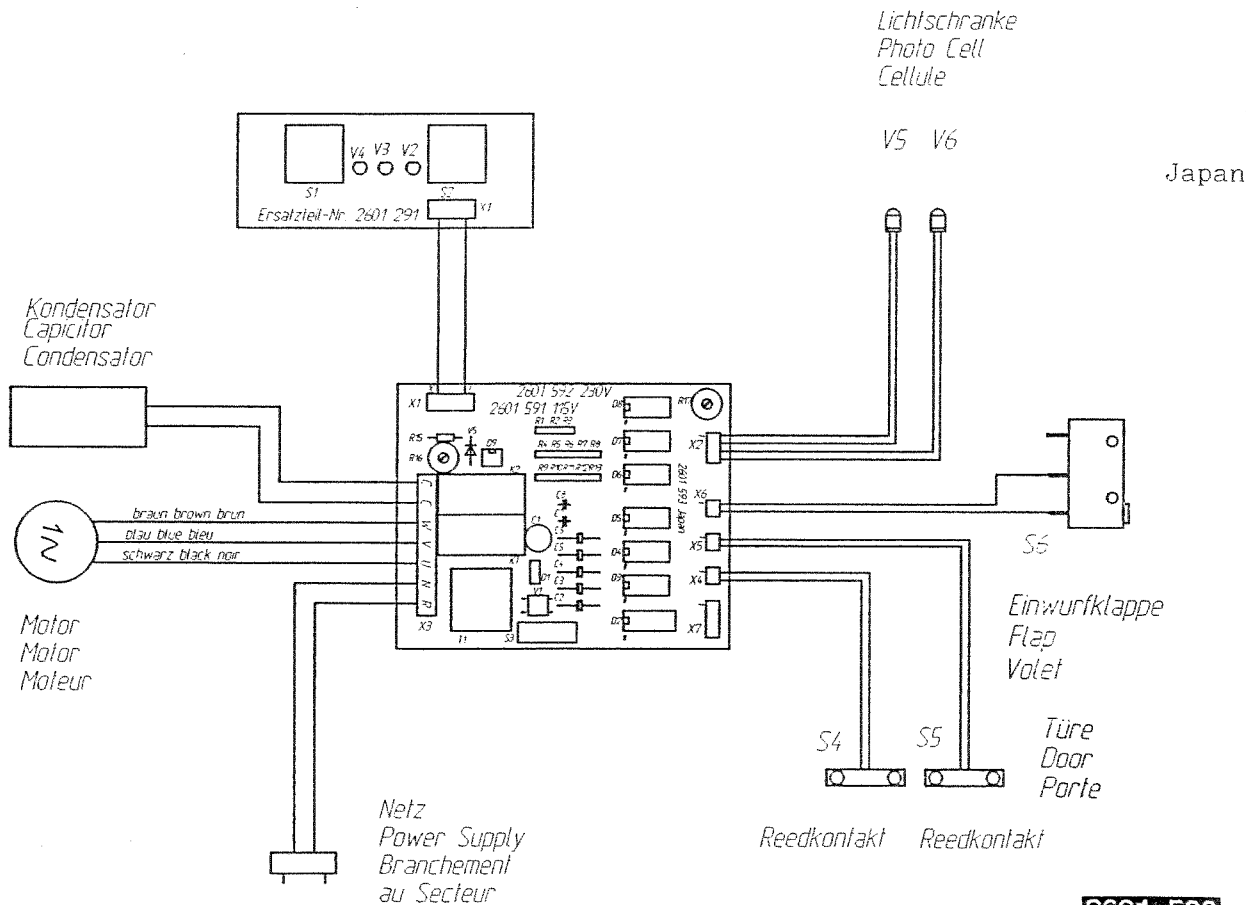
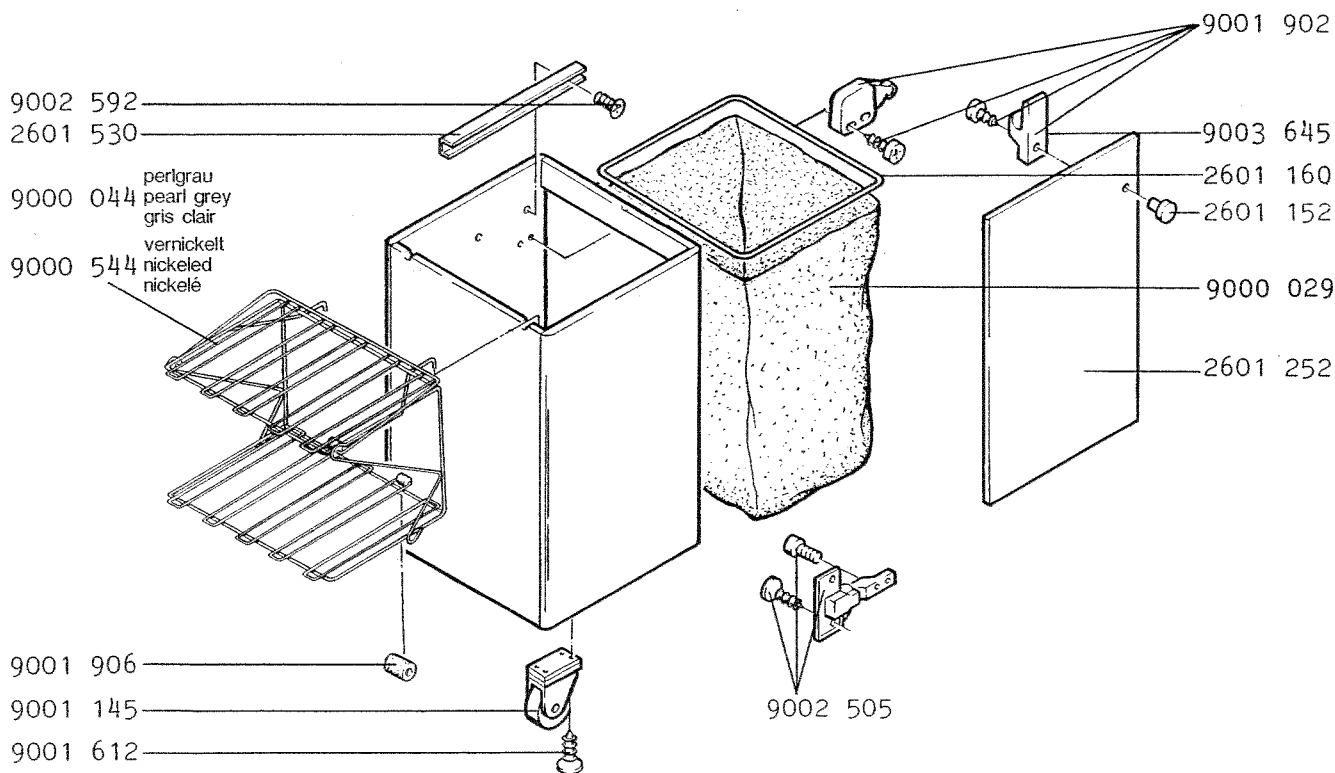
Mod. 2601 B



Anschlußplan 2601 B/2x15
plan de montage 2601 B/2x15
wiring diagram 2601 B/2x15

2601 596

Mod. 2601 B



2601 599

Anschlußplan 2601 B/2x15/Japan
plan de montage 2601 B/2x15/Japan
wiring diagram 2601 B/2x15/Japan