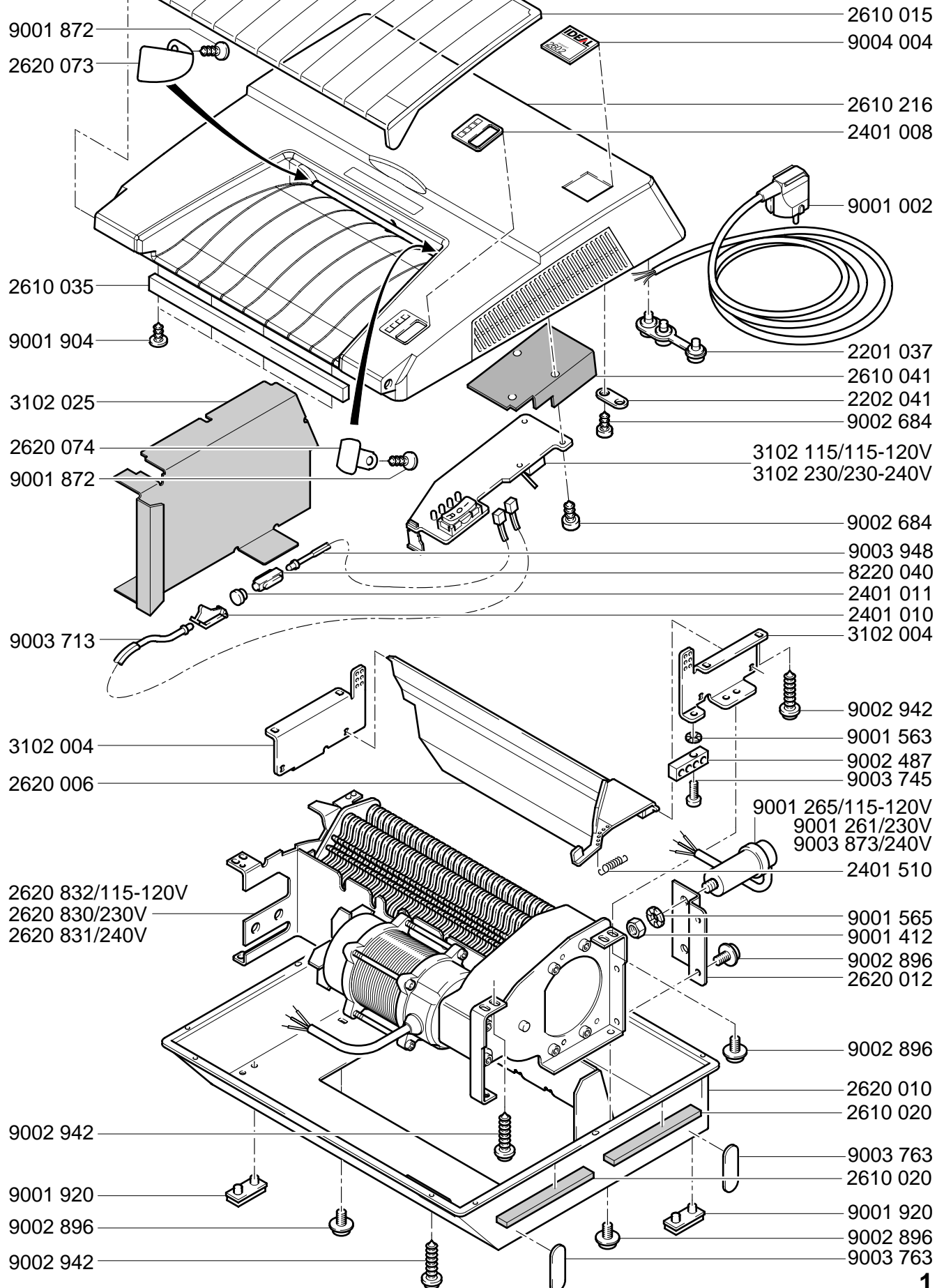
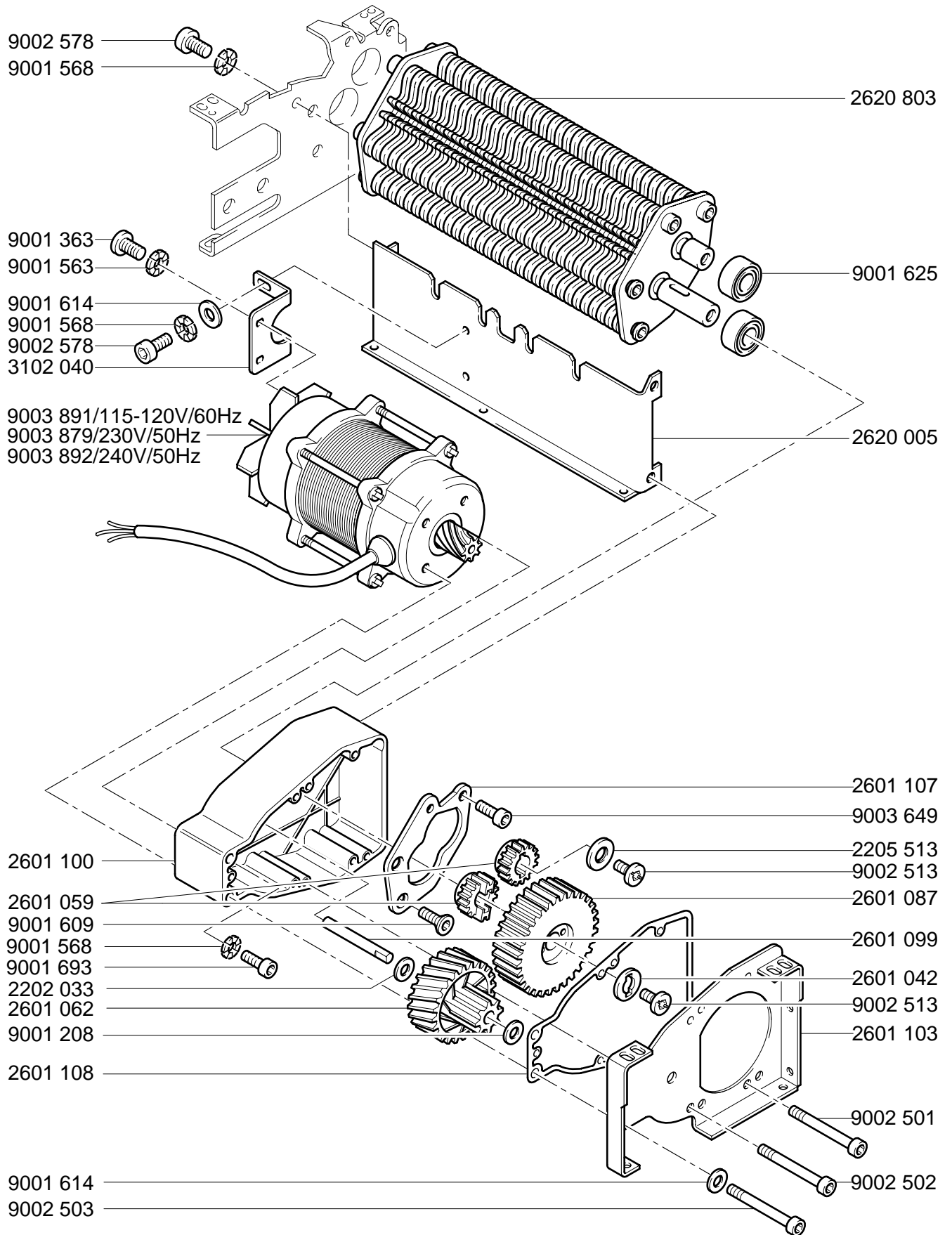


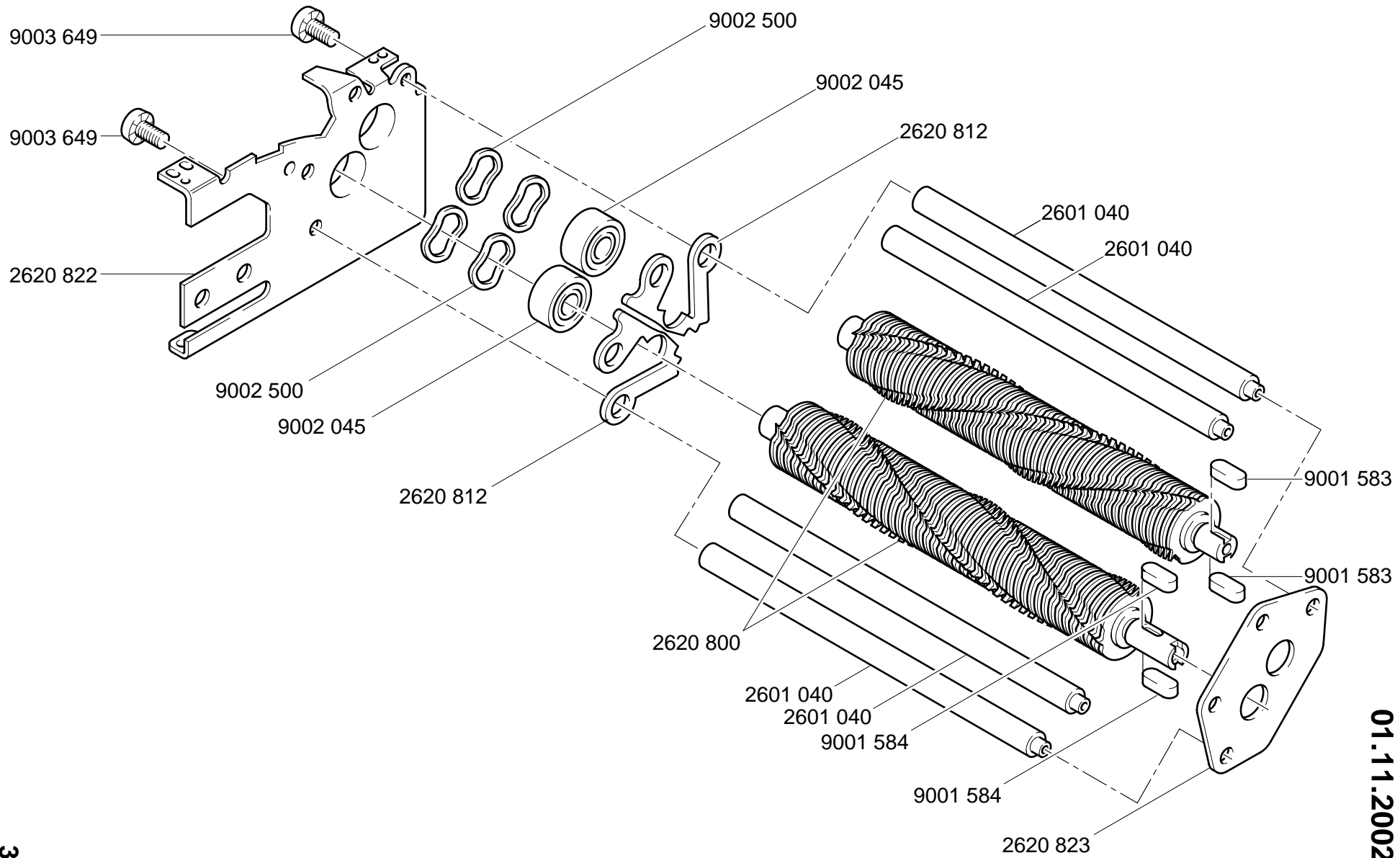
CROSS / CUT 0,8x5mm
Mod.2602 A
 01.11.2002



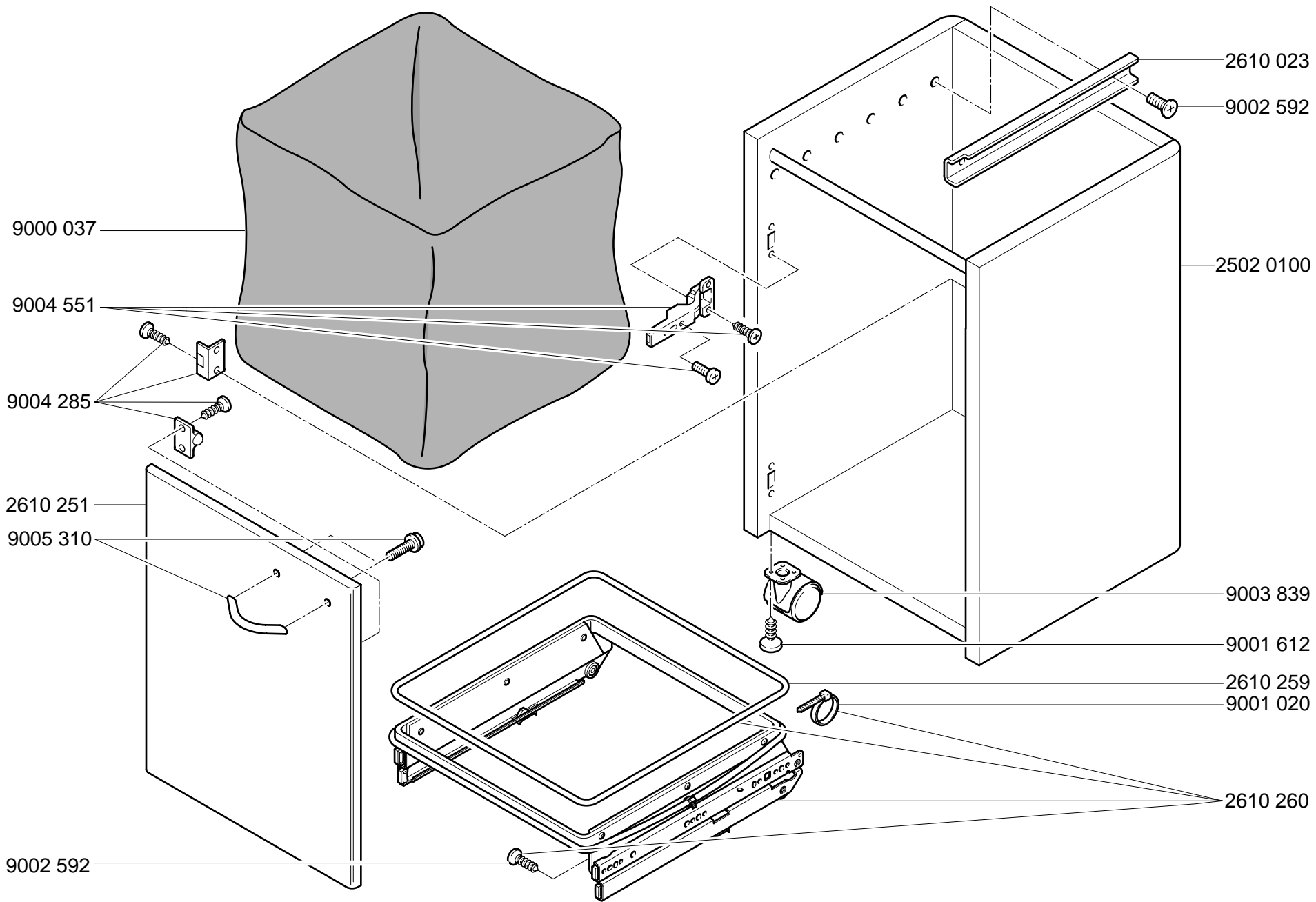
Mod.2602 A

01.11.2002

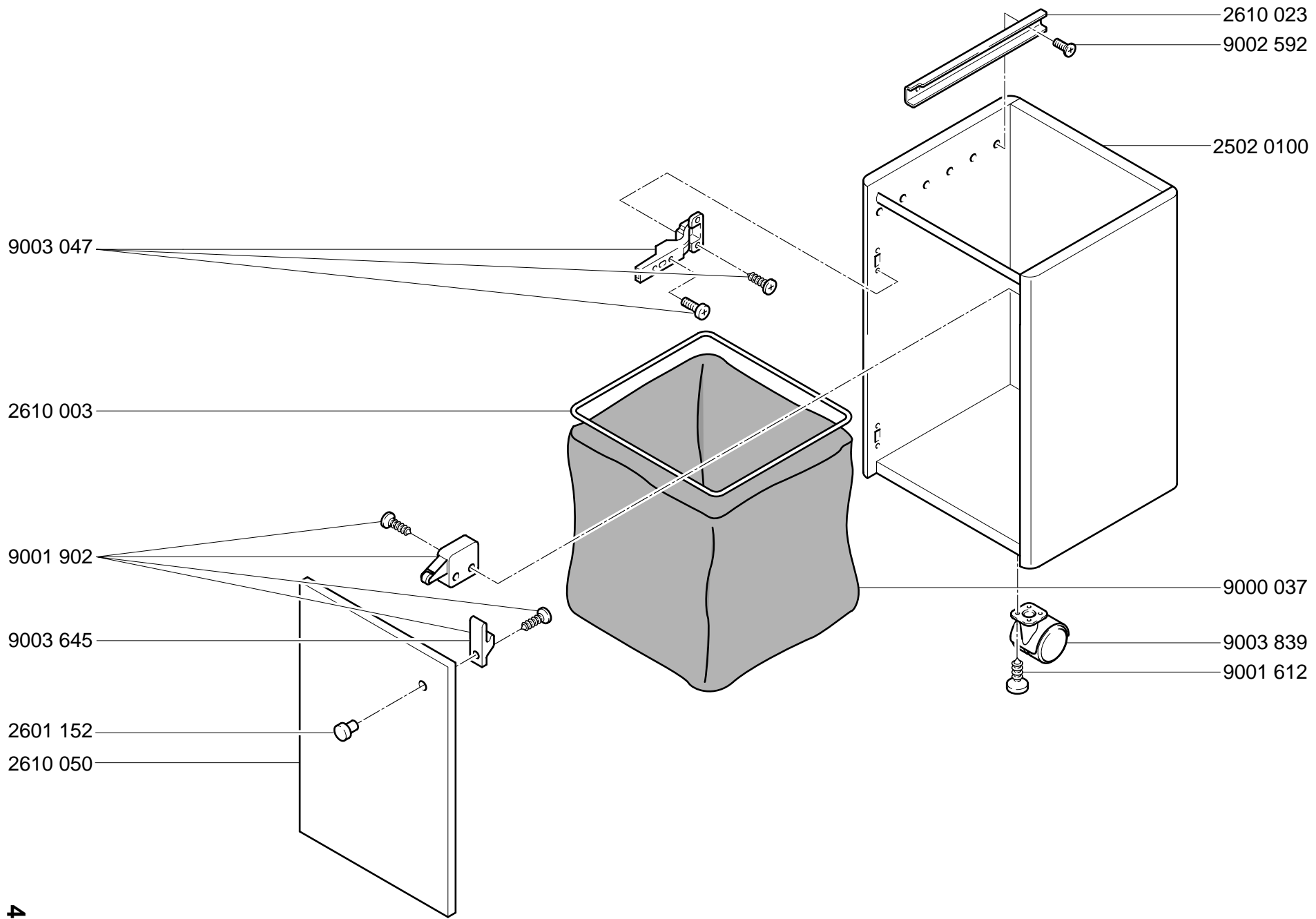




CROSS / CUT
Mod. 2602 A
 01.11.2002
 0,8x5mm



CROSS / CUT
Mod. 2602 A
 0.8x5mm
 01.06.2004



CROSS / CUT
Mod. 2602 A
 01.11.2002
 0,8x5mm

CROSS / CUT

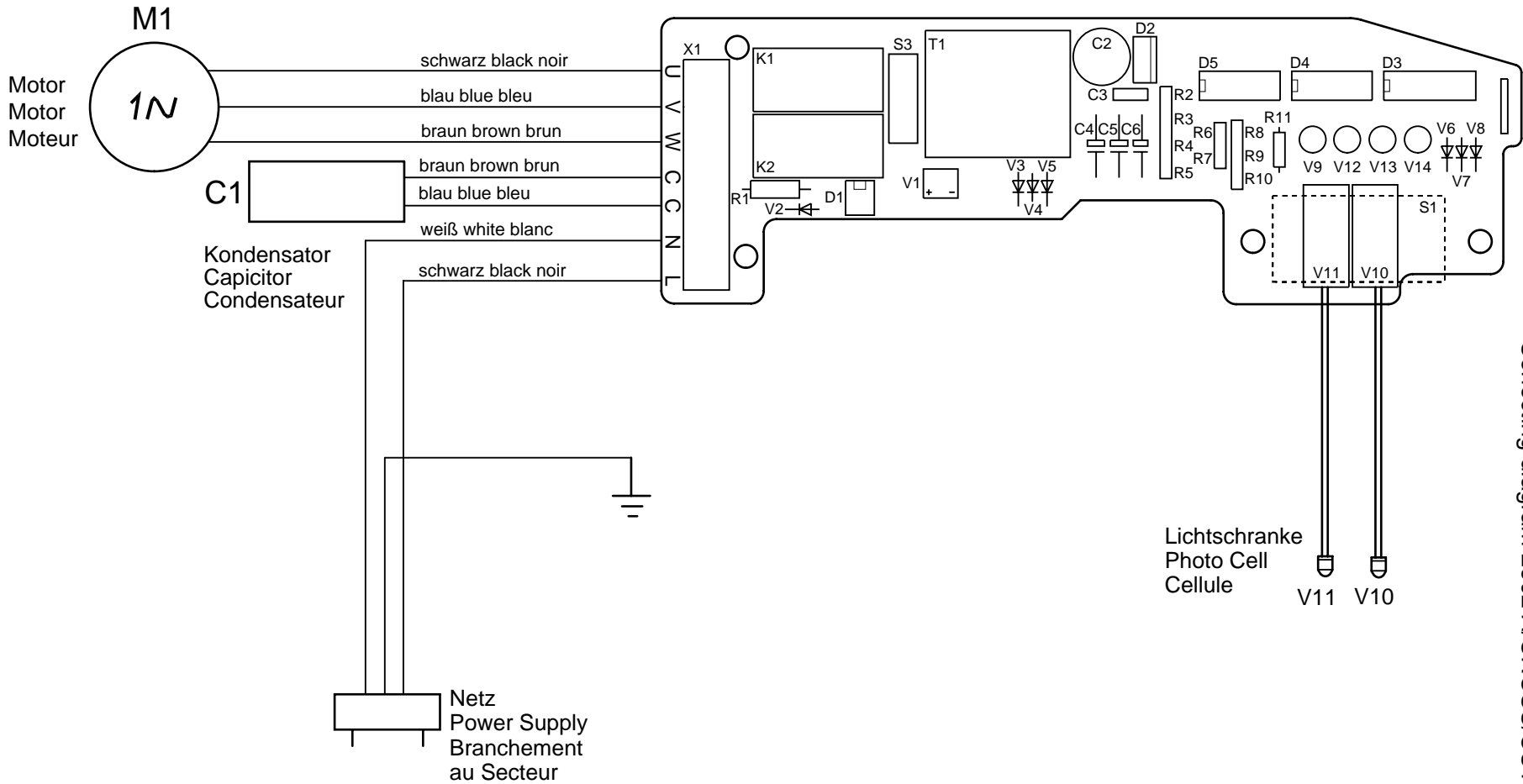
Mod. 2602 A

0,8x5mm

01.11.2002

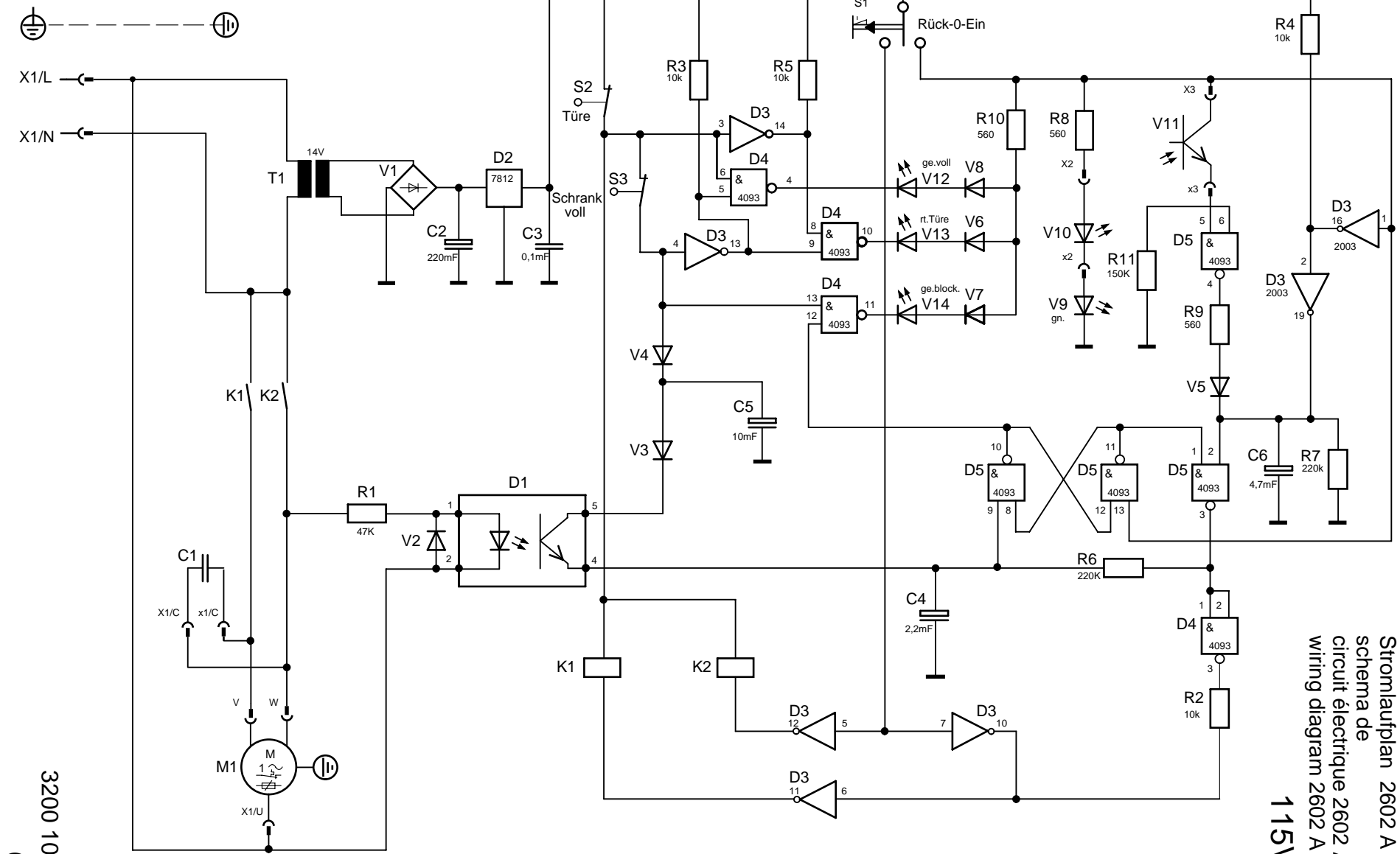
Anschlußplan 2602 A/CROSS/CUT
 Diagramme de branchement 2602 A/CROSS/CUT
 Connecting diagram 2602 A/CROSS/CUT

115V



Lichtschanke
 Photo Cell
 Cellule
 V11 V10

3200 102
5



Mod. 2602 A

CROSS / CUT 0.8x5mm

01.11.2002

Stromlaufplan 2602 A

schema de

circuit électrique 2602 A

wiring diagram 2602 A

115V

3200 100
6

CROSS / CUT

Mod. 2602 A

01.11.2002

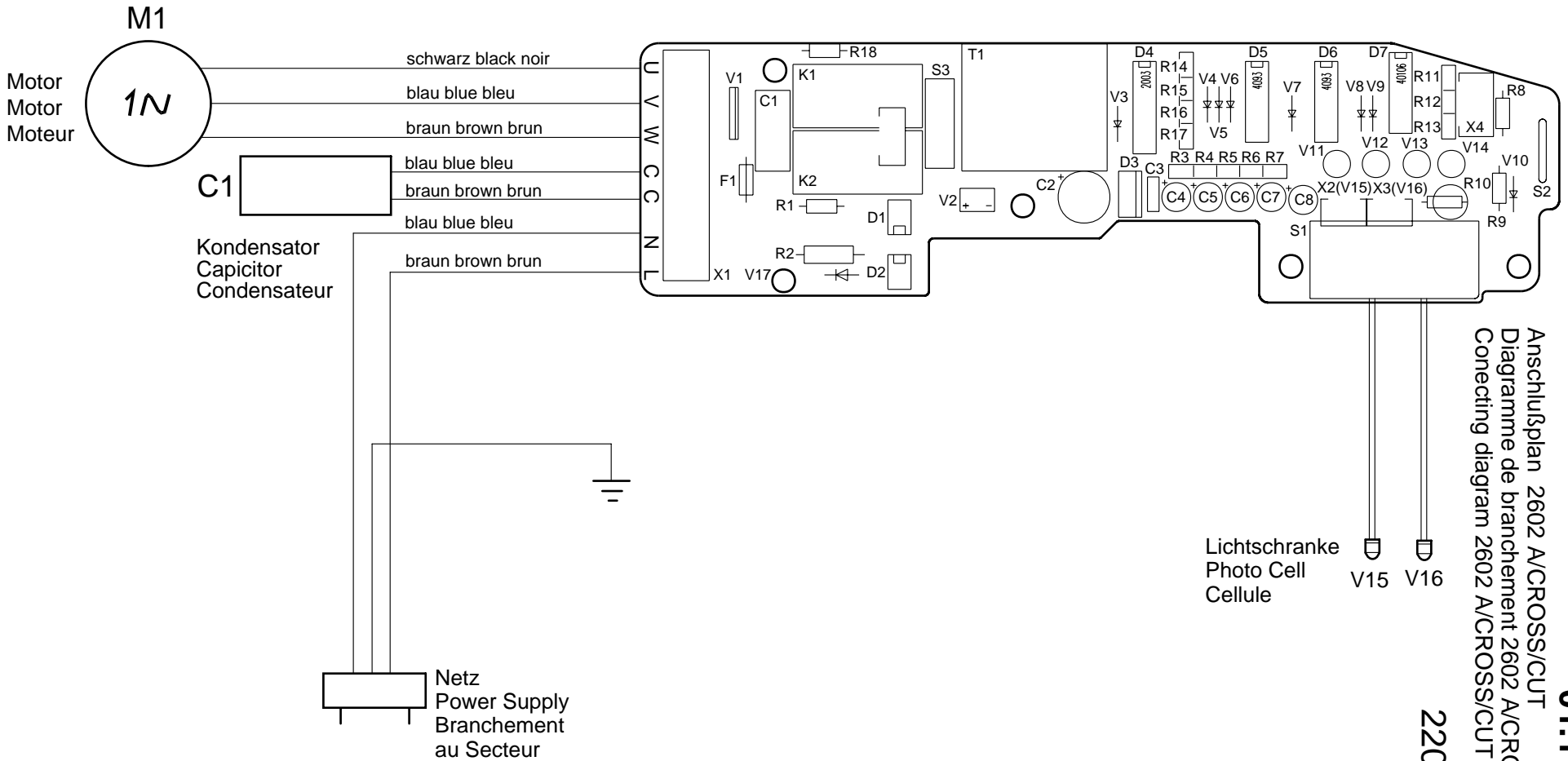
0,8x5mm

Anschlußplan 2602 A/CROSS/CUT
 Diagramme de branchement 2602 A/CROSS/CUT
 Connecting diagram 2602 A/CROSS/CUT

220-240V

Lichtschranke
 Photo Cell
 Cellule

V15 V16



4200 303
 7

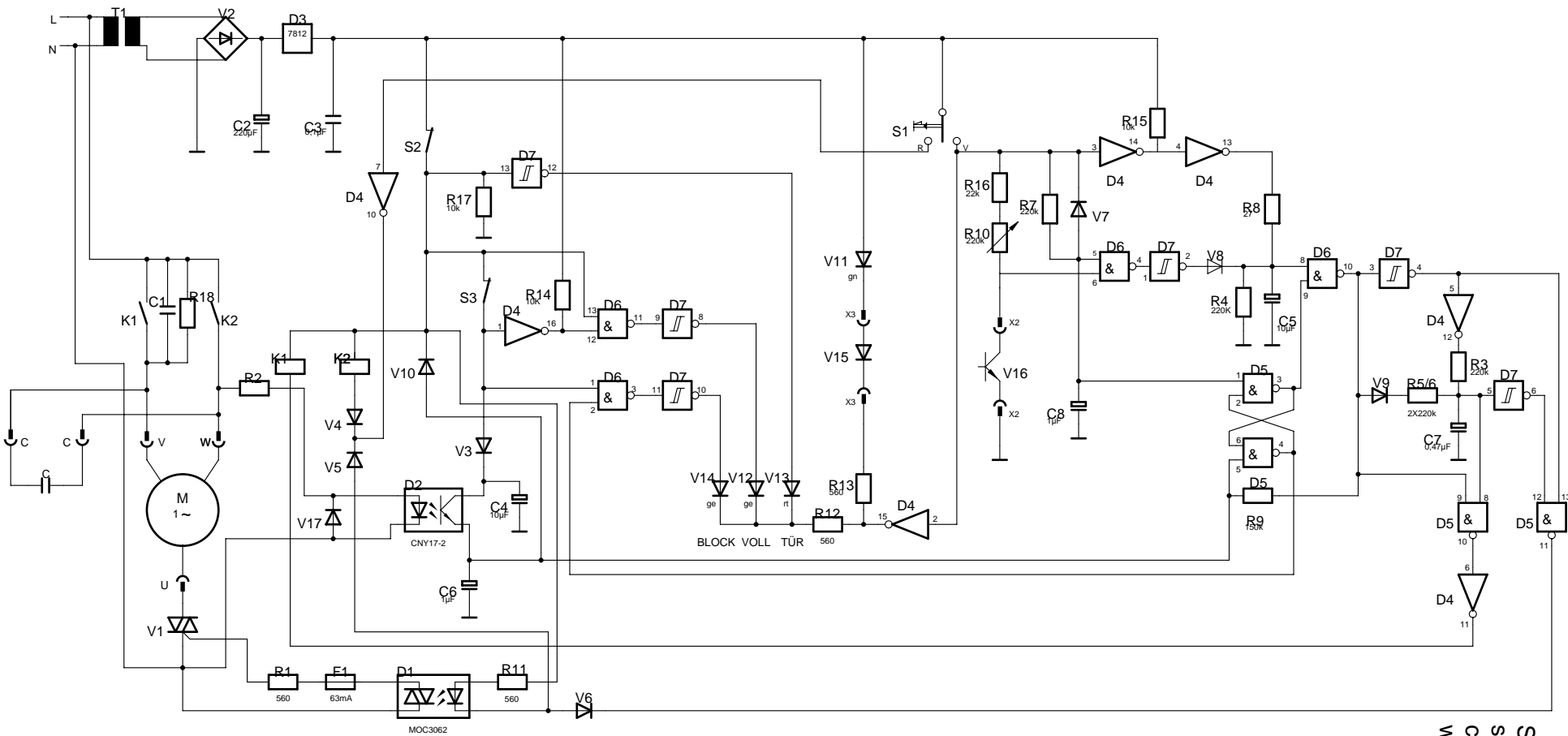
Mod. 2602 A

CROSS / CUT

0,8x5mm

01.11.2002

Stromlaufplan 2602 A
schema de
circuit électrique 2602 A
wiring diagram 2602 A
220-240V



3200 302

8