

P6200 Folder
PART LIST & DIAGRAM

ITEM NO.	PART NUMBER	QTY.
1	Base Plate	1
2	#10X.5 TYPE 25 PH (M-S004009)	4
3	Bumper Foot (M-S030021)	4
4	Side Plate Left	1
5	Side Plate Right	1
6	First Fold Table Upper	1
7	First Fold Table Lower	1
8	Second Fold Table Lower	1
9	Second Fold Table Upper	1
10	Nylon Bearing	6
11	Pvathane Belt	2
12	5133-50 EXT."E" RING (M-S010006)	8
13	Quick Connect Brkt	1
14	1/2" Nylon Washer	2
15	Opto Board	2
16	Opto Mount Brkt	1
17	Paper stop	1
18	Roller Shaft Bearing	2
19	Rubber Roller	1
20	Rubber Belt 207-3M	1
21	Rubber Belt 91MXL	1
22	Motor Pulley	1
23	Pulley Idler Pin	1
24	Roller Drive Pulley	1
25	Reducer Pulley	1
26	1st Pinch Roller	1
27	2nd Pinch Roller	2
28	Sm Nylon Washer	1
29	24VDC Motor	1
30	PCB Standoff	4
31	PCB	1
32	#6-32 x 3/16 Hex Washer Hd Screw	2
33	#8-32 X 1/4 Hex Washer Hd Screw	4
34	#6-32 x 7/16 Hex Washer Hd Screw	8
35	CR-PHMS 0.138-32x0.25x0.25-N	2
36	CR-PHMS 0.112-40x0.375x0.375-N	2
37	CR-PHMS 0.164-32x0.375x0.375-N	1
38	6-32X1 PH,P/HD-B/O	2
39	Motor Power Cable	1
40	5133-25 EXT."E" RING (M-S010004)	3
41	Plastic Wire Grommet	1
42	Opto Wiring	1
43	Quick Connect	1
44	Rubber Roller Shaft	1
45	2m X 6m Cheese Head Screw	2
46	Hex Nut, M2 x 0.4	2
47	Flat Washer 0.125	2
48	Housing <i>MRO 620012</i>	1
49	Dejamming Handle	1
50	Paper Size Label (MRS015289)	1
51	220V Adaptor <i>110VAC-24VDC</i>	1
52	Serial Label	1
53	Dejam Instruction Label	1
54	Small Wire Tie	3
55	Large Ferrite	1

MRO 640001

MRO 620009

M-S 025072
M-S 025021

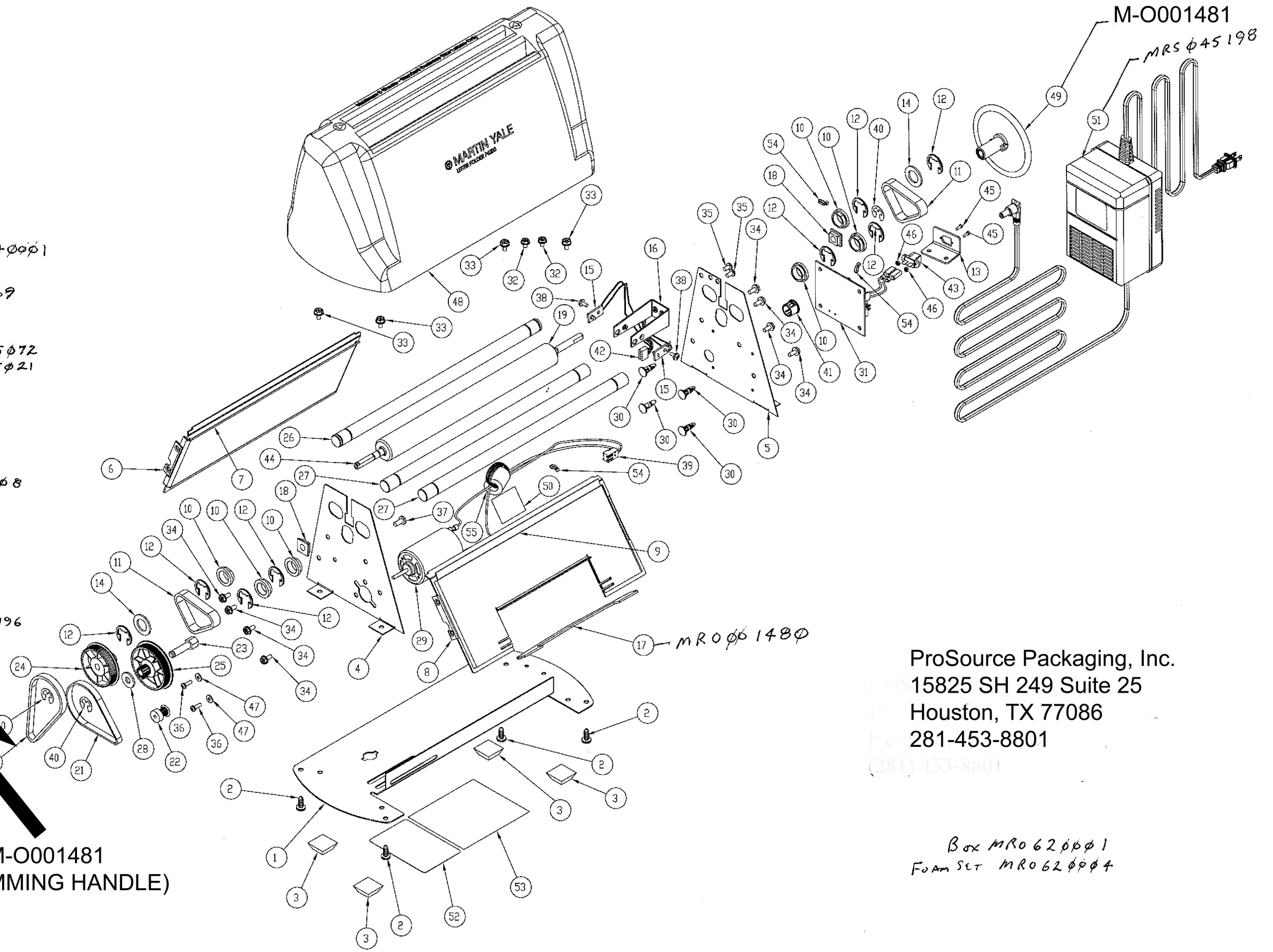
MRO 620008

MRS 045196

MRO 001480

M-O001481
(DEJAMMING HANDLE)

10/28/05



ProSource Packaging, Inc.
15825 SH 249 Suite 25
Houston, TX 77086
281-453-8801
(281) 453-8801

Box MRO 620001
Foam Set MRO 620004