

ProSource Packaging, Inc.
14911 Stuebner Airline Suite A
Houston, TX 77069
800-203-0233
www.Machine-Solution.com

Parts List

for

MARTIN YALE

**auto
folder**

MODEL

"Seventeen"

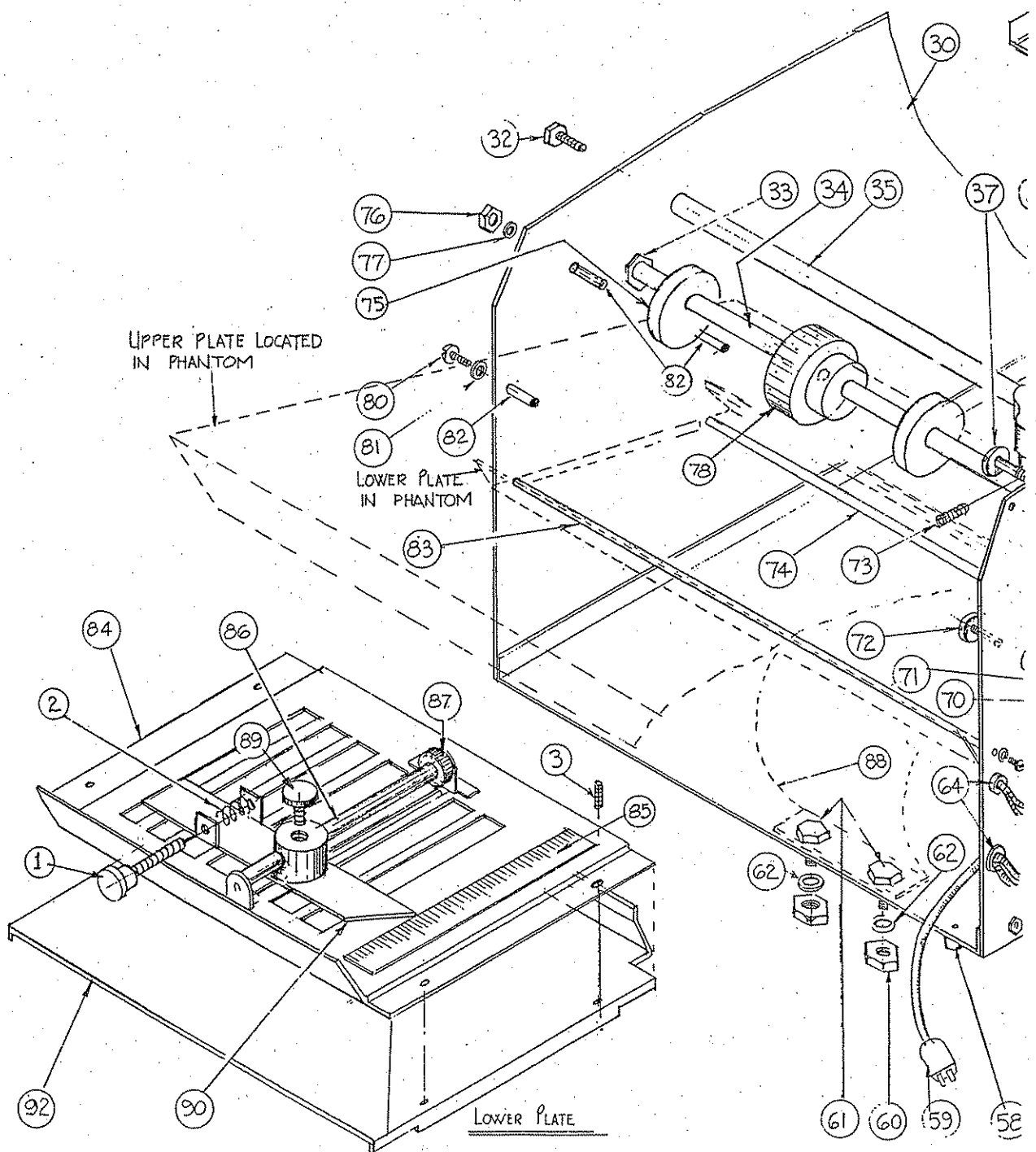
MARK II

Order parts from your dealer.
Include serial number and model of machine.

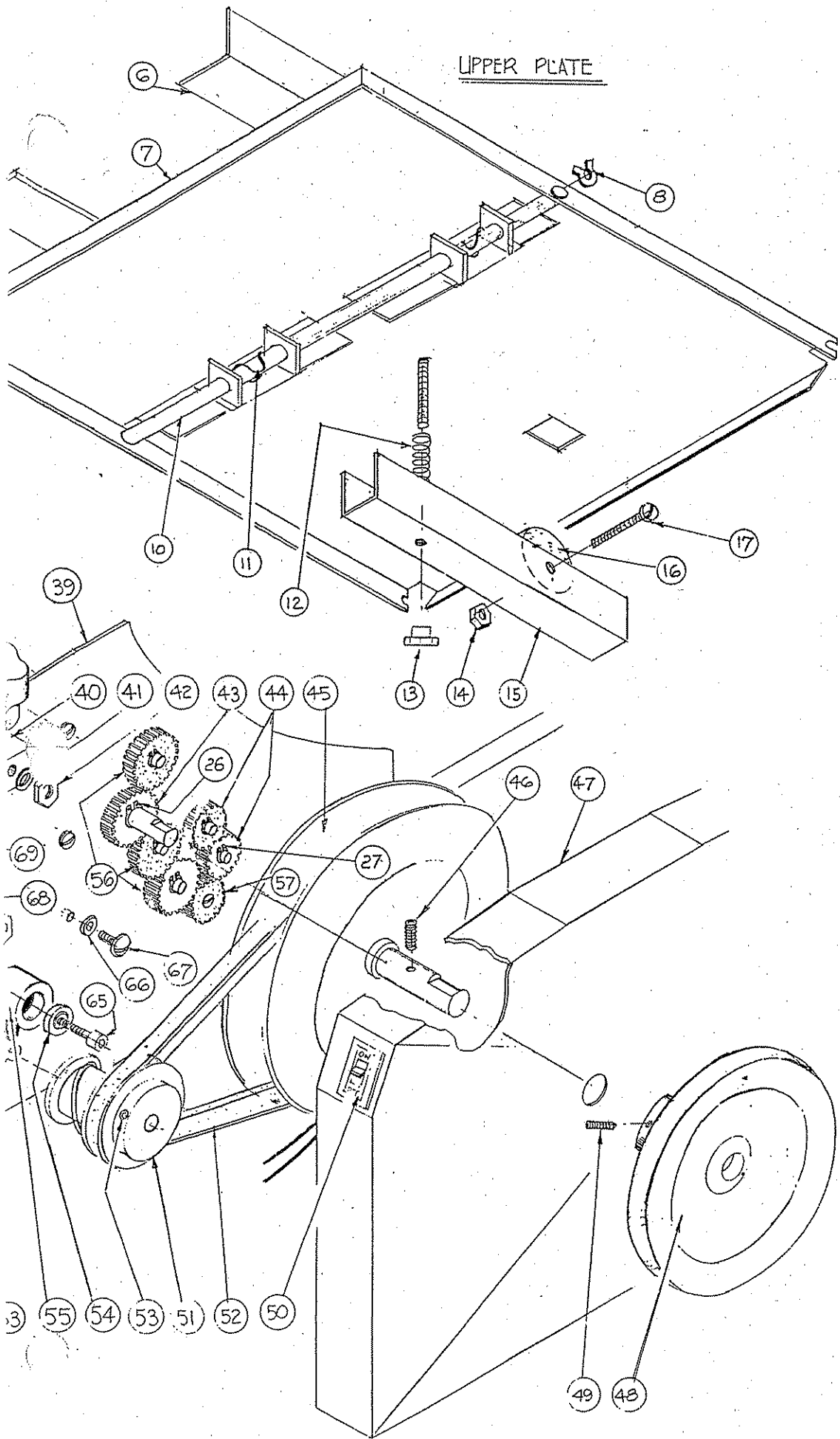


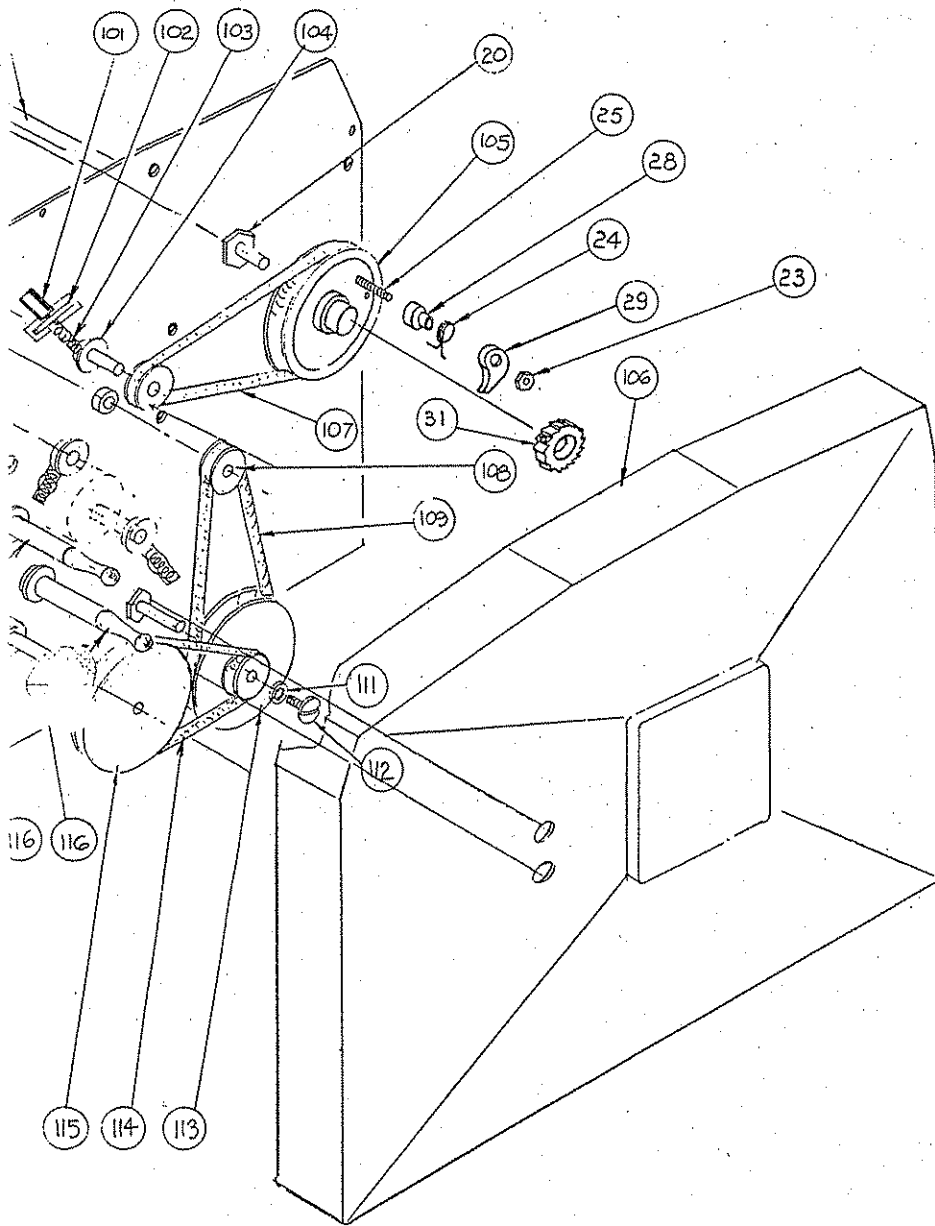
MARTIN YALE
Business Machines Corp.

500 N. Spaulding Ave. • Chicago, Ill. 60624



UPPER PLATE





Ref. No.	Part Name	Factory No.
136	#10 lock washer	S8-4
137	10/32 screw	S1-23
138	Stack wheel ass'y. rod	3000-92
139	Slitter	3000-85A
139	Perforator	3000-85B
140	Accessory roller rubber	M-0003080 3000-80
141	Accessory guide roller steel	3000-76
142	Accessory shaft	3000-18
143	Bottom roller	3000-11
144	Stacking spring	3000-110
145	Retainer ring	S10-4
146	Back up hub	3000-82
147	1st fold table - upper	3000-8
148	Angle adjustment spring	S31-34
149	10,32 thumb screw	S32-17
150	Fold chart	3000-108
151	Stripper	3000-132
152	1st fold indicator shaft	3000-68
154	1st fold ruler	3000-96
156	1st fold adjustment top bracket	3000-72
157	Upper fold fixed indicator bar	3000-73
158	Fine adj. thumb screw	3000-81
159	Angle adjustment screw & knob	3000-120
160	1st fold table - lower	3000-7
161	Conveyor idler shaft	3000-64

Part Name	Factory No.
... bushing	S13-7
... ing tray	3000-14
... age cord belts	S24-2 M-5024002
... wheel axle	3000-89
... housing blank	3000-90
... wheel ass'y. shaft	3000-93
... ing wheel <i>Stack 3" wheel</i>	S34-1 M-5034001
... yor drive shaft	3000-63
... od	3000-65

MARTIN YALE auto folder

"Seventeen" MARK II

Ref. No.	Part Name	Factory No.	Ref. No.	Part Name	Factory No.
1	Angular adj. stud & knob	3000-120	58	Rubber bumper	S30-2
3	1/8 Rivet	S9-22	59	Cord set	3000-100
5	Paper guide, left	3000-6L	60	5/16 lock nut	S7-20
6	Paper guide, right	3000-6R	61	5/16 cap screw	S3-13
7	Feed table	3000-5	62	5/16 washer	S8-18
8	Retainer spring	S10-2	63	Motor shaft extension	3000-23
10	Paper guide support shaft	3000-128	64	Strain relief	S35-1
11	Paper guide spring	S31-32	65	5/16 cap screw	S3-16
12	Retarder spring	S31-31	66	#10 washer	S8-5
13	Thumb nut	S7-18	67	10-32 screw	S1-23
14	10/32 nut	S7-8	68	Speed control block	3000-60
15	Retarder housing <i>W-A095119</i>	3000-123	69	Speed control shaft	3000-58
16	Retarder rubber <i>WRA003116</i>	3000-118	70	1/4 x 20 hex nut	S7-17
17	10-32 screw	S1-21	71	Eccentric bushing	3000-103
18	1/8 Rivet	S9-2	72	1/4 screw	S1-36
20	(Brass bushing Oilite bushing)	1500-47 S13-1	73	10/32 set screw	S2-8
21	Compressor spring	S31-37	74	1/4 tie rod	3000-65
22	Spring pin	3000-109	75	Nylon guide roller	3000-30 <i>M-00030</i>
23	6/32 nut <i>M-5007054</i>	S7-1	76	10-32 hex hd. whiz nut	S7-8
24	Clutch spring <i>MR0003131</i>	3000-134	77	#10 lock washer	S8-4
25	6/32 screw <i>M-5001079</i>	S1-4	78	Feed roller <i>M-0003548</i>	3000-125A
26	1/2 retainer spring	S10-3	80	10/32 x 3/8 screw	S1-23
27	3/8 retainer springs	S10-2	81	#10 washer	S8-5
28	Shoulder Bushing <i>MR0003135</i>	3000-135	82	Feed table pins	3000-104
29	Pawl <i>MR0003134</i>	3000-134	83	Tie rod	3000-65
30	Main frame, left	3000-4	84	2nd fold table - upper	3000-09
31	Ratchet <i>MR0003133</i>	3000-133	85	2nd fold ruler	3000-97
32	1/4 screw	S3-4	86	2nd fold table shaft	3000-69
33	1/4 I.P.S. nut	S7-15	87	Micro adjustment knob	3000-81
34	Feed roller shaft	3000-1002	88	Motor 1/4 h.p. 110	S21-1
35	3/4 Tie rod	3000-66	89	Plastic knob	S32-17
36	Nyliner	S14-3	90	Indicator bar	3000-72
37	1/4 screw	S1-35	92	2nd fold table - lower	3000-10
39	Main frame, right	3000-3	93	Compression spring	S31-36
40	Support block	3000-101	94	Tie rod	3000-65 <i>WRA003015</i>
41	1/4" washer	S8-8	95	Intermediate roller WRA003015	3000-1005
42	1/4 x 20 hex nut <i>M-0003034A</i>	S7-17	96	Main drive roller	3000-1001
43	24T Nylon gear 1/2 D WRA003015	3000-34A	97	Top roller <i>WRA095034</i>	3000-1004
44	18T Nylon gear 3/8 D <i>M-0003035</i>	3000-35	98	#10 lock washer	S8-4
45	9" pulley	S22-1	99	10/32 screw	S1-23
46	5/16 set screw	S2-24	101	Top roller adj. nut	3000-86
47	Cover - right side	3000-3	102	Top roller adj. screw	3000-20
48	Aluminum hand wheel	3000-95	103	Roller tension adj. spring	S31-36
49	5/16 set screw	S2-28	104	Top roller bearing	S13-9
50	Switch	S33-5	105	Feed roller pulley <i>MR0003136</i>	3000-136
51	HiLo variable speed pulley	S22-2	106	Cover - left side	3000-2
52	V belt 4L330	S23-6	107	Round rubber belt <i>M-5023001</i>	S23-1
3	1/4 set screw	S2-18	108	Transfer pulley	3000-53
4	Ball bearing	S20-3	109	Round rubber belt <i>M-5023002</i>	S23-2
55	Speed control roller	3000-61	111	#10 washer	S8-5
56	24T nylon gear 3/8 D <i>M-0003033</i>	3000-33	112	10/32 screw	S1-23
57	18T nylon gear 1/4 <i>M-0003036</i>	3000-36	113	Step pulley	S22-5
			114	Round rubber belt	S23-2