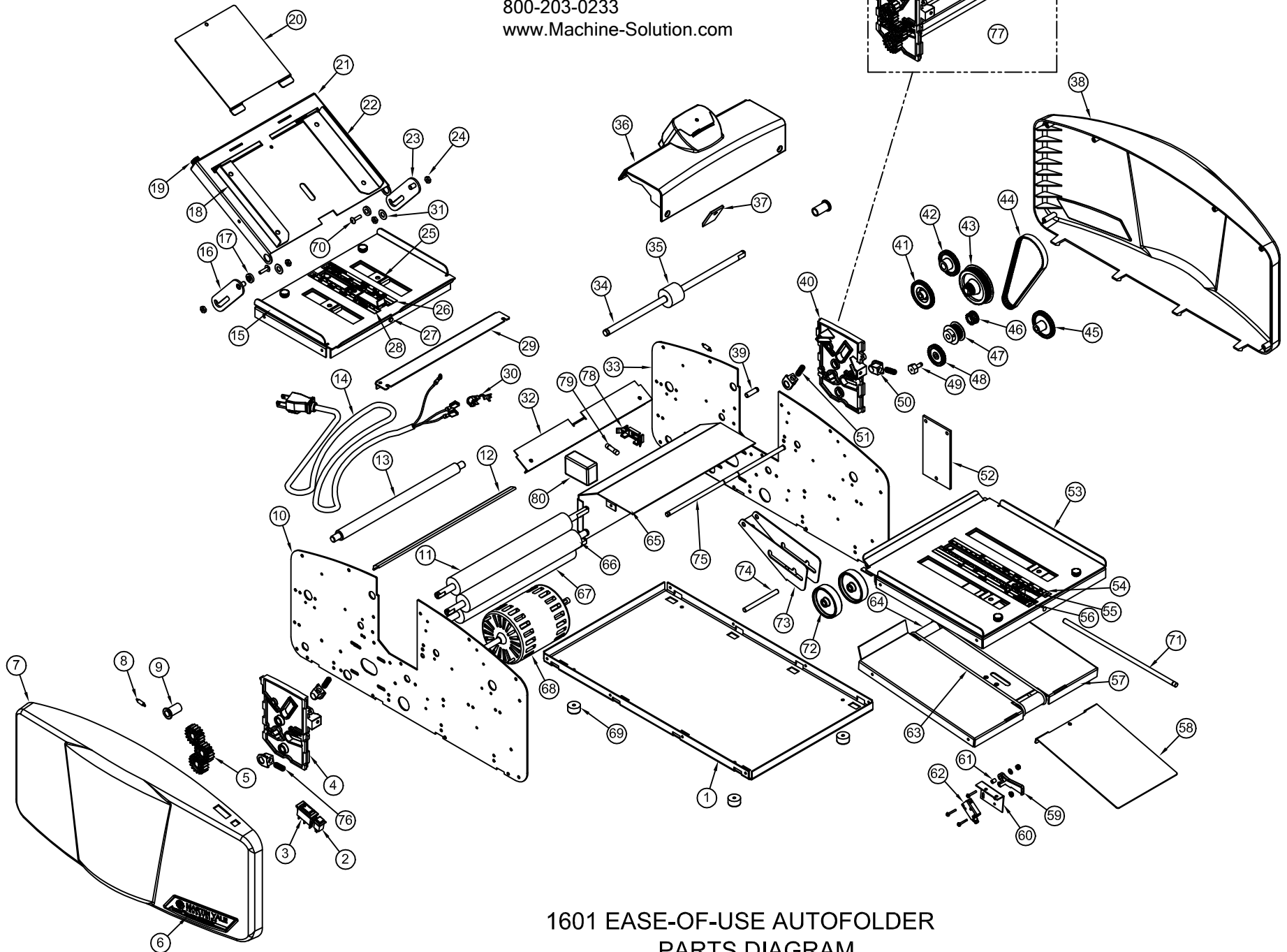
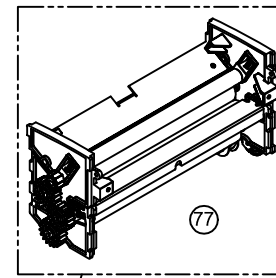


ProSource Packaging, Inc.  
14911 Stuebner Airline Suite A  
Houston, TX 77069  
800-203-0233  
www.Machine-Solution.com



1601 EASE-OF-USE AUTOFOLDER  
PARTS DIAGRAM

## 1601 EASE-OF-USE AUTOFOLDER PARTS LIST

Fig.	Part Number	Description	Qty.	Fig.	Part Number	Description	Qty.	Fig.	Part Number	Description	Qty.
1	W-O1601039	BASE PLATE	1	28	M-O1601093	METRIC 2ND FOLD RULER	1	55	M-O1601094	PAPER STOP DECAL	2
2	M-S033026	SPST MOMENTARY SW.	1	29	W-O1601034	FOLD EXTENSION	2	56	M-O1601090	INCH 1ST FOLD RULER	1
3	M-S033053	SPST ROCKR SWTCH O-I	1	30	M-S035018	SR 15-1 HEYCO #1374	1	57	W-A1601036	CONVEYOR TABLE ASSY	1
4	M-O1601005	RIGHT ROLLER BLOCK	1	31	M-S008087	#8F/W.19X48X.05 ZP	7	58	W-O1601038	CATCH TRAY	1
5	M-O1601086	ROLLER GEAR	3	32	W-O1601022	FEED TABLE EXT	1	59	M-O1601019	MICROSWITCH LEVER	1
6	M-O1601095	PRODUCT LABEL 1601	2	33	W-O1601026	PEM LEFT SIDE FRAME	1	60	W-O1601070	SWITCH BRACKET	1
7	WRO1601009	RIGHT SIDE COVER	1	34	W-O1601055	FEED SHAFT	1	61	M-S019039	STANDOFF #4X3/16X1/4	1
8	M-S031052	EXT SPRING BYPASS	2	35	W-A1601011	FEED WHEEL ASSY	1	62	M-S033070	CONVEYOR SWITCH 1601	1
9	M-S63251446	FLANGE & BUSHING	2	36	W-A1601010	TOP COVER ASSY	1	63	M-S023048	1601 CONVEYOR BELT	2
10	W-I1601025	PEM RIGHT SIDE FRAME	1	37	M-O1601003	RETARDER	1	64	M-O1601006	CONVEYOR BELT PULLEY	2
11	W-A1601052	GRIND 2ND ROLLER	1	38	M-O1601009	SIDE COVER	1	65	W-O1601040	MOTOR GUARD	1
12	W-O1601047	BYPASS DEFLECTOR, DB	1	39	M-O1601063	FEED STEP GEAR STUD	1	66	W-A1601053	GRIND 3RD ROLLER	1
13	W-O1601051	1ST ROLLER	1	40	M-O1601001	LEFT ROLLER BLOCK	1	67	W-A1601054	GRIND 4TH ROLLER	1
14	M-S037020	115V USA LINE CORD	1	41	M-O1601084	FEED STEP GEAR	1	68	M-S021064	110V MOTOR 1501X AC	1
15	WRO1601032	2ND UPFOLD TABLE/RULER	1	42	M-O1601085	FEED GEAR DRIVEN	1	69	M-S030045	755 RW BUMPERS	4
16	W-I1601017	PEM FEED TABLE LEG, RIGHT	1	43	M-O1601083	PULLEY-GEAR COMBO	1	70	M-S001117	8-32 X 5/8 TRUSS HD	2
17	W-O1601064	STANDOFF, LEG	2	44	M-S025059	123T 3MM HTD BELT	1	71	W-O1601056	B/O 1ST GUIDE SHAFT	1
18	W-O1601044	RIGHT PAPER GUIDE	1	45	M-O1601080	CONV.GEAR,DRIVEN	1	72	M-S034001	L30-4 BLACK 3" WHEEL	2
19	M-S032046	#8 THUMB SCREW KNOB	6	46	M-O1601081	CONV DRIVE GEAR	1	73	W-O1601029	CONV.WHEEL BRKT. Z/P	1
20	W-O1601043	PAPER SUPPORT	1	47	M-S022142	28T 3MM HTD PULLEY	1	74	W-O1601060	B/O CONV. WHEELAXLE	1
21	W-A1601041	FEED TABLE ASSY	1	48	M-O1601082	CONV-STEP GEAR	1	75	W-O1601061	B/O CONV. WHEEL SHAFT	1
22	W-O1601045	LEFT PAPER GUIDE	1	49	M-O1601062	CONV.STEP GEAR STUD	1	76	M-S031034	COMP.SPRING RED	2
23	W-I1601018	PEM FEED TABLE LEG, LEFT	1	50	M-O1601002	ROLLER BEARING	4	77	W-A1601001	CARTRIDGE ASSEMBLY	1
24	M-S007006	8-32 HEX KEPS NUT	8	51	M-S031042	COMP SPRING 1601	2	78	M-S045231	FUSE HOLDER	1
25	W-O1601035	PAPER STOP	1	52	M-O1601100	SAFETY DELAY BRD	1	79	M-S63601106	FUSE 5AMP 110V	1
26	M-O1601092	INCH 2ND FOLD RULER	1	53	WRO1601030	1ST UPFOLD TABLE/RULER	1	80	M-S045101	CAPACITOR 220V/20 MF	1
27	W-O1601057	2ND GUIDE SHAFT	1	54	M-O1601091	METRIC 1ST FOLD RULER	1				