

REVISED

7:41 am, Mar 06, 2009

**UCHIDA**

# **UCHIDA BC-10 BUSINESS CARD CUTTER**

## **PARTS LIST**



**UCHIDA YOKO CO., LTD.**

2006. 3.

## CONTENTS

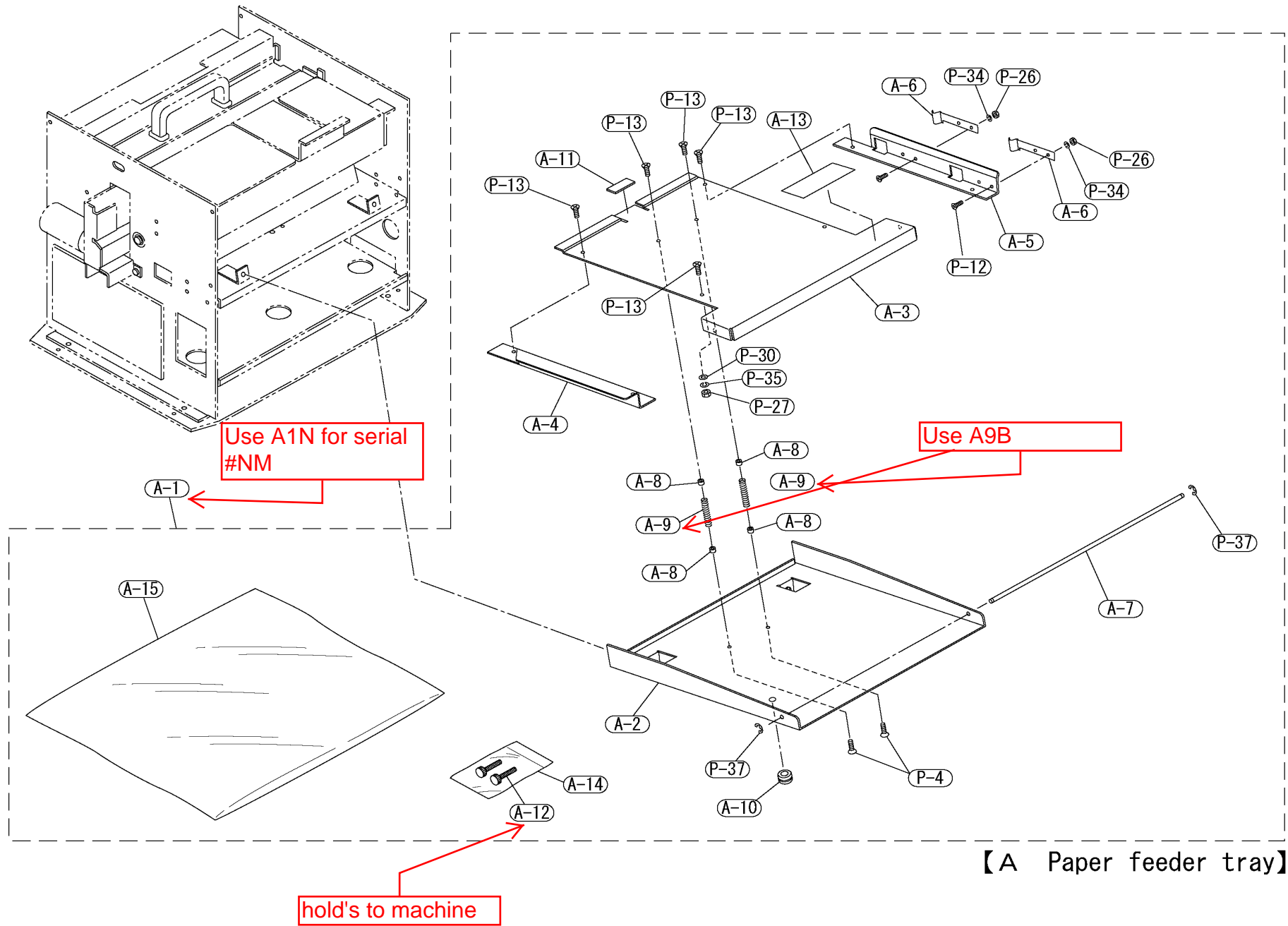
|   |                                      |       |
|---|--------------------------------------|-------|
| A | Paper feeder tray                    | 1~2   |
| B | Paper feeder unit                    | 3~4   |
| C | Cutter unit                          | 5~6   |
| D | Pressure unit                        | 7~8   |
| E | Slitter unit                         | 9~10  |
| F | First feeder plate                   | 11~12 |
| G | Second feeder plate                  | 13~14 |
| H | Feed roller                          | 15~16 |
| I | Base plate                           | 17~18 |
| J | Side plate (R)                       | 19~20 |
| K | Side plate (L)                       | 21~22 |
| L | Upper cover, Front panel, Rear panel | 23~24 |
| M | Cover                                | 25~26 |
| N | Stacker box, Trash box               | 27~28 |
| O | Harness                              | 29    |
| P | Screw, Nut, Washer                   | 30    |

**【A Paper feeder tray】**

| No.  | Parts Name                   | Material          | Q'ty |
|------|------------------------------|-------------------|------|
| A-1  | Paper feeder tray Assy       |                   | 1    |
| A-2  | Frame                        | SUS-304 t=1.2     | 1    |
| A-3  | Hopper plate                 | SUS-304 t=1.2     | 1    |
| A-4  | Side guide(L)                | SUS-304 t=1.2     | 1    |
| A-5  | Side guide(R)                | SUS-304 t=1.2     | 1    |
| A-6  | Flat spring                  | SUS-304 CSP t=0.2 | 2    |
| A-7  | Hopper hinge shaft           | SUS303B-D         | 1    |
| A-8  | Spring stay                  | C3604BD           | 4    |
| A-9  | Spring                       | SUS304-WPB        | 2    |
| A-10 | Grommet                      | SBR               | 1    |
| A-11 | Cork sheet                   | 30×10mm t=2.0     | 1    |
| A-12 | Set screw                    |                   | 2    |
| A-13 | Coution label                |                   | 1    |
| A-14 | PE bag for fix screw         | PE t=0.05         | 1    |
| A-15 | PE bag for paper feeder tray | PE t=0.06         | 1    |
| P-12 | Screw, flat head M2×5        | SWCH              | 4    |
| P-13 | Screw, flat head M3×5        | SWCH              | 6    |
| P-26 | Nut, hex M2                  | SWCH              | 4    |
| P-27 | Nut, hex M3                  | SWCH              | 1    |
| P-4  | Screw, B-SEMS M3×6           | SWCH              | 2    |
| P-30 | Washer, flat M3              | SS400             | 1    |
| P-34 | Washer, split lock M2        | SWRH              | 4    |
| P-35 | Washer, split lock M3        | SWRH              | 1    |
| P-37 | E-ring, E-4                  | SWRH              | 2    |
|      |                              |                   |      |
|      |                              |                   |      |
|      |                              |                   |      |
|      |                              |                   |      |

Use A1N for serial #NM

Use A9B



**【B Paper feeder unit】**

| No.  | Parts Name                  | Material        | Q'ty |
|------|-----------------------------|-----------------|------|
| B-1  | Paper feeder unit ASSY      |                 | 1    |
| B-3  | Upper frame                 | SECC t=1.6      | 1    |
| B-4  | Upper beam 1                | SECC t=1.2      | 1    |
| B-5  | Upper beam 2                | SECC t=1.2      | 1    |
| B-6  | Plate 1                     | SECC t=1.0      | 1    |
| B-7  | Plate 2                     | SECC t=1.0      | 1    |
| B-9  | Cushion                     |                 | 1    |
| B-10 | Static eliminator           |                 | 1    |
| B-11 | Pick up frame               | SECC t=1.6      | 1    |
| B-12 | Pick up motor               |                 | 1    |
| O-11 | Pick up motor harness       |                 | 1    |
| B-13 | Pick up motor bracket       | SECC t=1.6      | 1    |
| B-14 | Motor shaft pulley          |                 | 1    |
| B-15 | Timing belt                 |                 | 1    |
| B-16 | Pick up roller              |                 | 1    |
| B-17 | Pick up holder              |                 | 1    |
| B-18 | Roller shaft                | SUS303B-DG      | 1    |
| B-19 | Roller shaft pulley         |                 | 1    |
| B-20 | Bearing                     |                 | 4    |
| B-21 | One-way clutch              |                 | 1    |
| B-22 | Set screw                   | SWRM            | 1    |
| B-23 | First pressure roller ASSY  |                 | 1    |
| B-24 | Pressure roller             | URETHANE/C3604B | 2    |
| B-25 | Pressure roller shaft       | SUS303B-DG      | 1    |
| B-26 | Pressure roller shaft frame | SECC t=1.2      | 1    |
| B-27 | Roller shaft bearing        |                 | 2    |
| B-29 | Pinch bracket               |                 | 2    |
| B-30 | Pinch bracket shaft         | SUS303B-DG      | 2    |
| B-31 | Caution label               |                 | 1    |
| B-28 | Adjust bolt                 | SCM435          | 1    |
| B-32 | Spring                      | SUS304-WPB      | 1    |
| P-12 | Screw, flat head M2×5       | SWCH            | 1    |
| P-13 | Screw, flat head M3×5       | SWCH            | 16   |
| P-27 | Nut, hex M3                 | SWCH            | 2    |
| P-29 | Nut, hex M5                 | SWCH            | 1    |
| P-4  | Screw, B-SEMS M3×6          | SWCH            | 22   |
| P-30 | Washer, flat M3             | SS400           | 1    |
| P-22 | Screw, hex socket set M3×3  | SCM435          | 6    |
| P-37 | E-ring, E-4                 | S60CM           | 4    |
| P-38 | E-ring, E-5                 | S60CM           | 6    |

Use B1N for Serial #'s NM

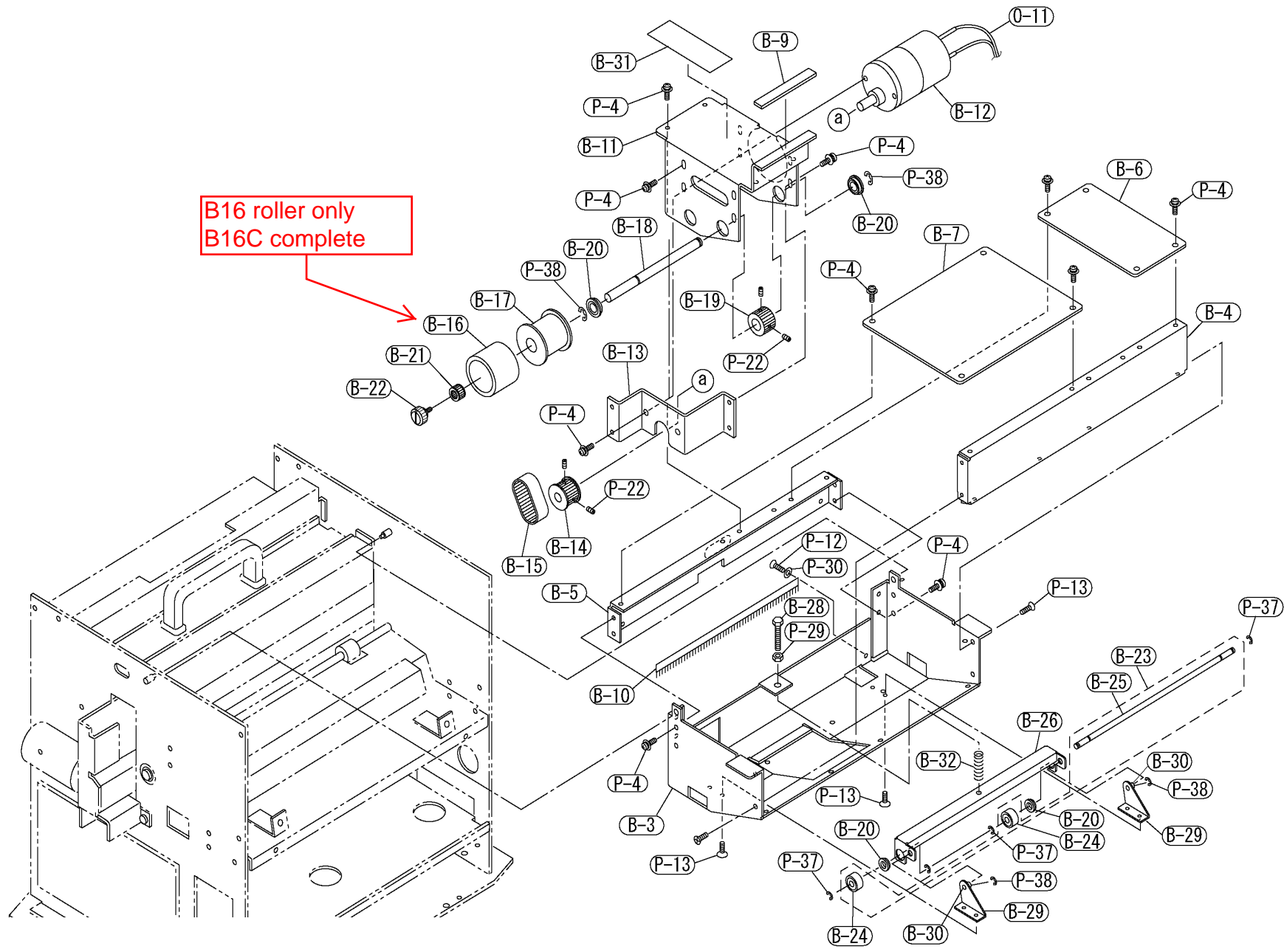
comes w/B12

B16 roller only B16 complete

comes w/B16

should use B16C

comes w/B29



**【B Paper feeder unit】**

**【C Cutter unit】**

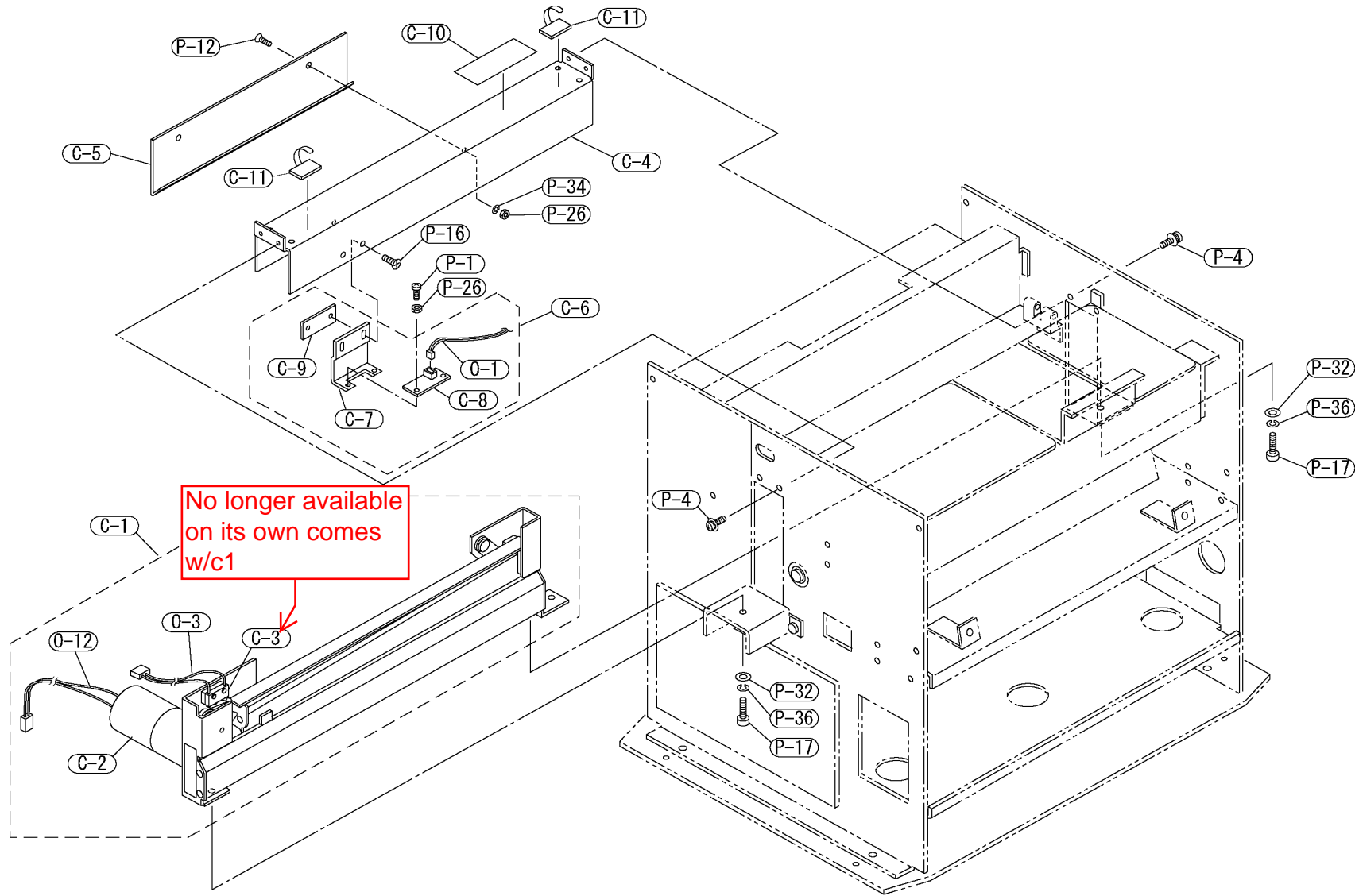
| No.  | Parts Name                  | Material   | Q' ty |
|------|-----------------------------|------------|-------|
| C-1  | Cutter unit                 |            | 1     |
| C-2  | Cutter unit motor           |            | 1     |
| O-12 | Cutter unit harness         |            | 1     |
| C-3  | Cutter sensor               |            | 1     |
| O-3  | Cutter sensor harness       |            | 1     |
| C-4  | Cutter cover                | SECC t=1.2 | 1     |
| C-5  | Cut sheet guide             | SECC t=1.0 | 1     |
| C-6  | S2 sensor ASSY              |            | 1     |
| C-7  | S2 sensor Bracket           | SPCC t=2.3 | 1     |
| C-8  | S2 sensor PCB               |            | 1     |
| O-1  | S2 sensor harness           |            | 1     |
| C-9  | Nut plate                   | SPCC t=2.3 | 1     |
| C-10 | Warning label               |            | 1     |
| C-11 | Sticker with sponge         |            | 2     |
| P-12 | Screw, flat head M2×5       | SWCH       | 2     |
| P-16 | Screw, flat head M3×8       | SWCH       | 2     |
| P-26 | Nut, M2                     | SWCH       | 2     |
| P-4  | Screw, B-SEMS M3×6          | SWCH       | 4     |
| P-17 | Screw, hex socket cap M4×10 | SCM435     | 2     |
| P-32 | Washer, flat M4             | SS400      | 2     |
| P-36 | Washer, split lock M4       | SWRH       | 2     |
| P-34 | Washer, split lock M2       | SWRH       | 2     |
| P-1  | Screw, pan head M2×5        | SWCH       | 2     |
|      |                             |            |       |
|      |                             |            |       |
|      |                             |            |       |
|      |                             |            |       |
|      |                             |            |       |

no longer available as individual comes w/c1

Use C5N for Serial #'s NM

comes w/C6

Use C6



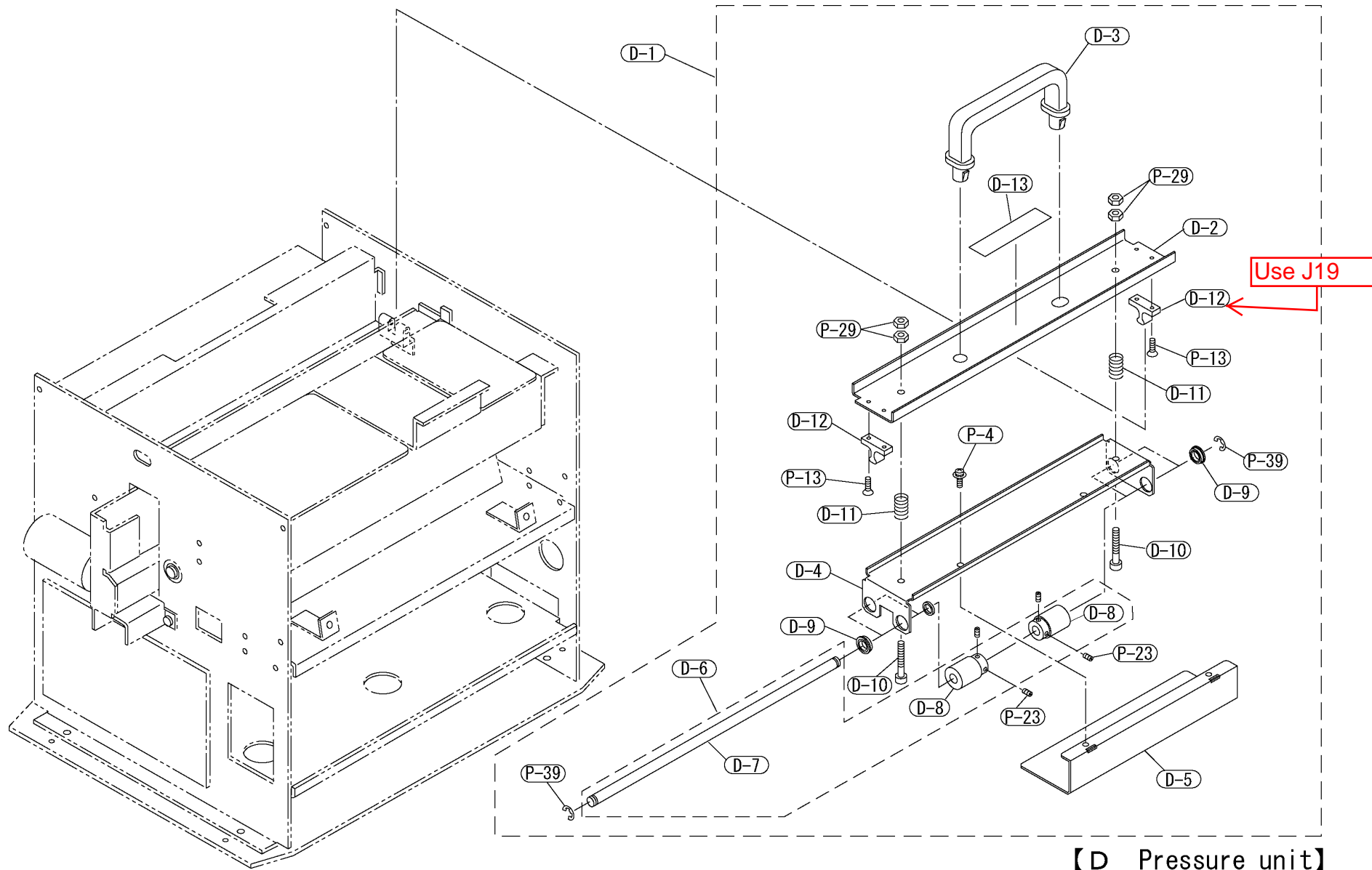
**【C Cutter unit】**



**【D Pressure unit】**

| No.  | Parts Name                 | Material        | Q'ty |
|------|----------------------------|-----------------|------|
| D-1  | Pressure unit ASSY         |                 | 1    |
| D-2  | Upper frame                |                 | 1    |
| D-3  | Handle                     | PA              | 1    |
| D-4  | Lower frame                |                 | 1    |
| D-5  | Guide plate                |                 | 1    |
| D-6  | Pressure roller shaft ASSY |                 | 2    |
| D-7  | Roller shaft               |                 | 2    |
| D-8  | Roller                     | C3604B URETHANE | 4    |
| D-9  | Roller shaft bearing       |                 | 4    |
| D-10 | Hex socket cap bolt M5×40  | SCM435          | 2    |
| D-11 | Spring                     | SWP             | 2    |
| D-12 | Ball catcher (U)           |                 | 2    |
| D-13 | Caution label              |                 | 1    |
| P-13 | Screw, flat head M3×5      | SWCH            | 4    |
| P-4  | Screw, B-SEMS M3×6         | SWCH            | 2    |
| P-29 | Nut, hex M5                | SWCH            | 4    |
| P-39 | E-ring, E-6                | S60CM           | 4    |
| P-23 | Screw, hex socket set M3×4 | SCM435          | 8    |
|      |                            |                 |      |
|      |                            |                 |      |

Use D1N for Serial #'s NM



【D Pressure unit】

**【E Slitter unit】**

| No.  | Parts Name                      | Material         | Q'ty |
|------|---------------------------------|------------------|------|
| E-1  | Slitter unit ASSY               |                  | 1    |
| E-3  | Slitter frame                   | SECC t=1.6       | 1    |
| E-4  | Upper beam                      | SECC t=1.2       | 1    |
| E-5  | Lower beam                      | SECC t=1.0       | 1    |
| E-6  | Side trash guide                | SECC t=1.0       | 2    |
| E-7  | Center trash guide              | SECC t=1.6       | 1    |
| E-8  | Slitter motor                   |                  | 1    |
| O-13 | Slitter motor harness           |                  | 1    |
| O-14 | Slitter motor extention harness |                  | 1    |
| E-9  | Slitter motor bracket           |                  | 1    |
| E-10 | Slitter motor shaft pulley      |                  | 1    |
| E-11 | Timing belt                     |                  | 1    |
| E-12 | Thin brade ASSY                 |                  | 4    |
| E-13 | Thin brade                      | SKH51            | 4    |
| E-14 | Thin brade holder               | C3604B           | 4    |
| E-15 | Thin brade holder spacer        | POM              | 4    |
| E-16 | Thin brade pin                  | SUS303B-DG       | 4    |
| E-17 | Spring holder                   | POM              | 4    |
| E-18 | Spring                          | SWP              | 4    |
| E-19 | Thick brade(single)             | SKD11            | 2    |
| E-20 | Thick brade(double)6mm          | SKD11            | 1    |
| E-21 | Thick brade(double)12.7mm       | SKD11            | 1    |
| E-22 | Slitter feed roller             | B 3 6 0 4 B/EPDM | 2    |
| E-23 | Tention roller                  | POM              | 2    |
| E-24 | Tention roller bearing          |                  | 4    |
| E-25 | Spacer                          |                  | 10   |
| E-27 | Shim                            | SUS304           | 3    |
| E-28 | Shaft thin brade                | SUS303B-DG       | 1    |
| E-29 | Shaft thick brade               | SUS303B-DG       | 1    |
| E-30 | Thick brade shaft pulley        |                  | 1    |
| E-31 | Gear(32)                        | POM/C3604B       | 1    |
| E-32 | Gear(28)                        | POM/C3604B       | 1    |
| E-33 | Bearing                         |                  | 4    |
| E-34 | Delivery roller 1 ASSY          |                  | 1    |
| E-35 | Delivery roller shaft 1         | SUS303B-DG       | 1    |
| E-26 | Delivery roller 1               | POM              | 4    |
| E-36 | Delivery roller 2 ASSY          |                  | 1    |
| E-37 | Delivery roller shaft 2         | SUS303B-DG       | 1    |
| E-38 | Delivery roller 2               | NEOPRENE         | 6    |
| E-39 | Gear(12)                        | POM              | 1    |
| E-40 | Gear(12)                        | POM              | 1    |

ONLY COMES COMPLETE

E3, E4, & E5 comes w/E1

Actual part #PAUE-6

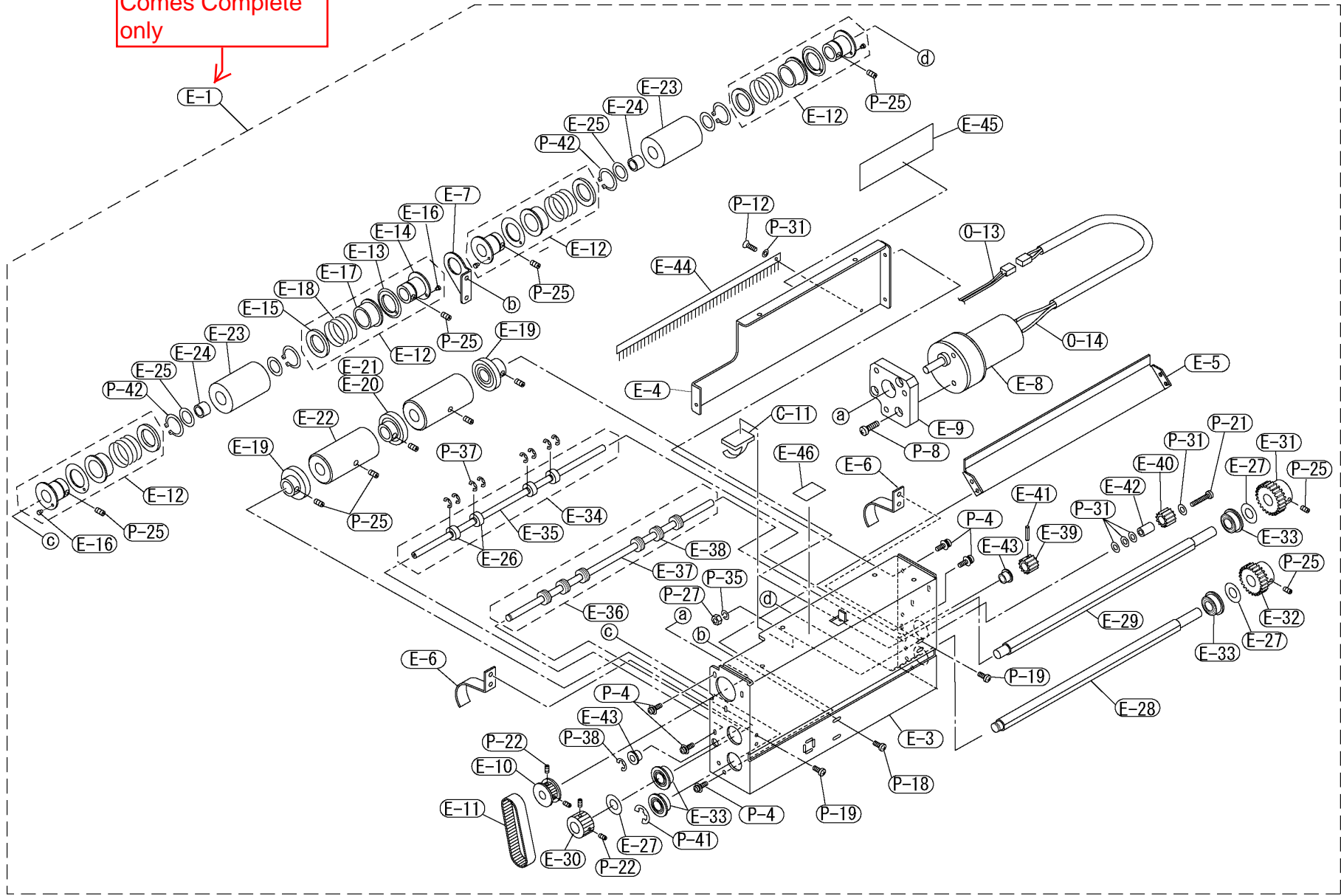
O13 & O14 comes w/E8

E13 - E18 comes w/E12

**【E Slitter unit】**

| No.  | Parts Name                 | Material | Q'ty |
|------|----------------------------|----------|------|
| E-41 | Spring pin                 |          | 1    |
| E-42 | Collar                     | C3604BD  | 1    |
| E-43 | Delivery roller bearing    |          | 2    |
| E-44 | Static eliminator          |          | 1    |
| C-11 | Sticker with sponge        |          | 1    |
| E-45 | Warning label              |          | 1    |
| E-46 | Center label               |          | 1    |
| P-41 | E-ring, E-8                | S60CM    | 1    |
| P-37 | E-ring, E-4                | S60CM    | 8    |
| P-38 | E-ring, E-5                | S60CM    | 1    |
| P-42 | C-ring, C-18               | S60CM    | 4    |
| P-4  | Screw, B-SEMS M3×6         | SWCH     | 14   |
| P-18 | Screw, binding M3×4        | SWCH     | 2    |
| P-19 | Screw, binding M3×6        | SWCH     | 4    |
| P-21 | Screw, binding M3×20       | SWCH     | 1    |
| P-12 | Screw, flat head M2×5      | SWCH     | 1    |
| P-30 | Washer, flat M3            | SS400    | 1    |
| P-31 | Washer, flat M3(small)     | SS400    | 5    |
| P-35 | Washer, split lock M3      | SWRH     | 1    |
| P-27 | Nut, hex M3                | SWCH     | 1    |
| P-8  | Screw, pan head M4×8       | SWCH     | 3    |
| P-22 | Screw, hex socket set M3×3 | SCM435   | 4    |
| P-25 | Screw, hex socket set M4×4 | SCM435   | 11   |
|      |                            |          |      |
|      |                            |          |      |
|      |                            |          |      |

Comes Complete only



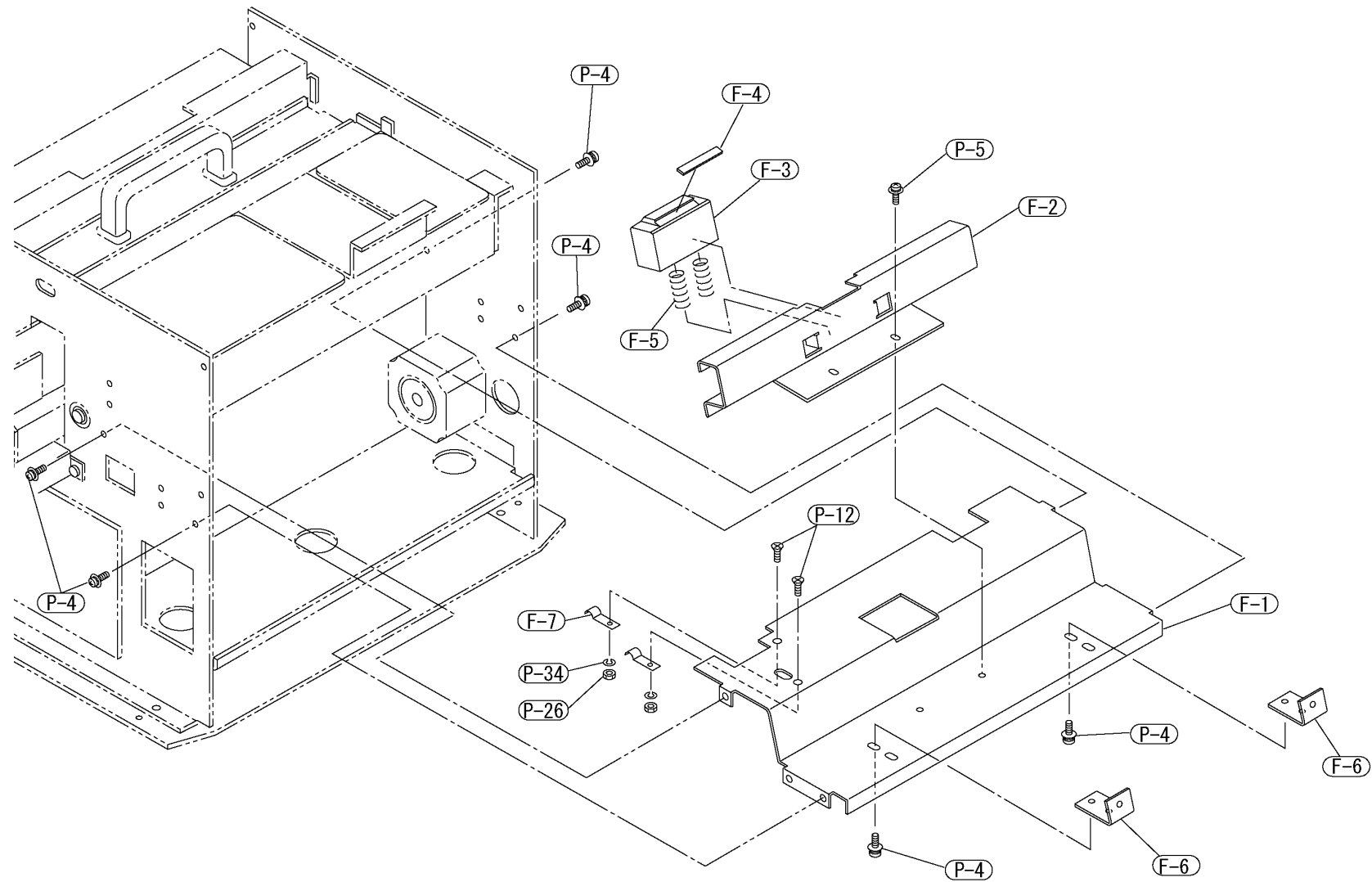
【 E Slitter unit】

**【F First feeder plate】**

| No.  | Parts Name            | Material     | Q'ty |
|------|-----------------------|--------------|------|
| F-1  | First feeder plate    | SECC t=1.6   | 1    |
| F-2  | First feeder cover    | SECC t=1.0   | 1    |
| F-3  | First pad base        | POM          | 1    |
| F-4  | Separate pad          |              | 1    |
| F-5  | Spring                | SUS304WPP    | 2    |
| F-6  | Tray bracket          | SECC t=1.6   | 2    |
| F-7  | Push-up spring        | SUS304 t=0.1 | 2    |
| P-12 | Screw, flat head M2×5 | SWCH         | 2    |
| P-4  | Screw, B-SEMS M3×6    | SWCH         | 10   |
| P-34 | Washer, split lock M2 | SWRH         | 2    |
| P-26 | Nut, hex M2           | SWCH         | 2    |
| P-5  | Screw, B-SEMS M3×8    | SWCH         | 2    |
|      |                       |              |      |

F1N for Serial #'s NM

use F3 for Serial #'s M101001-M101040  
Use F3N for Serial#'s M101327 UP

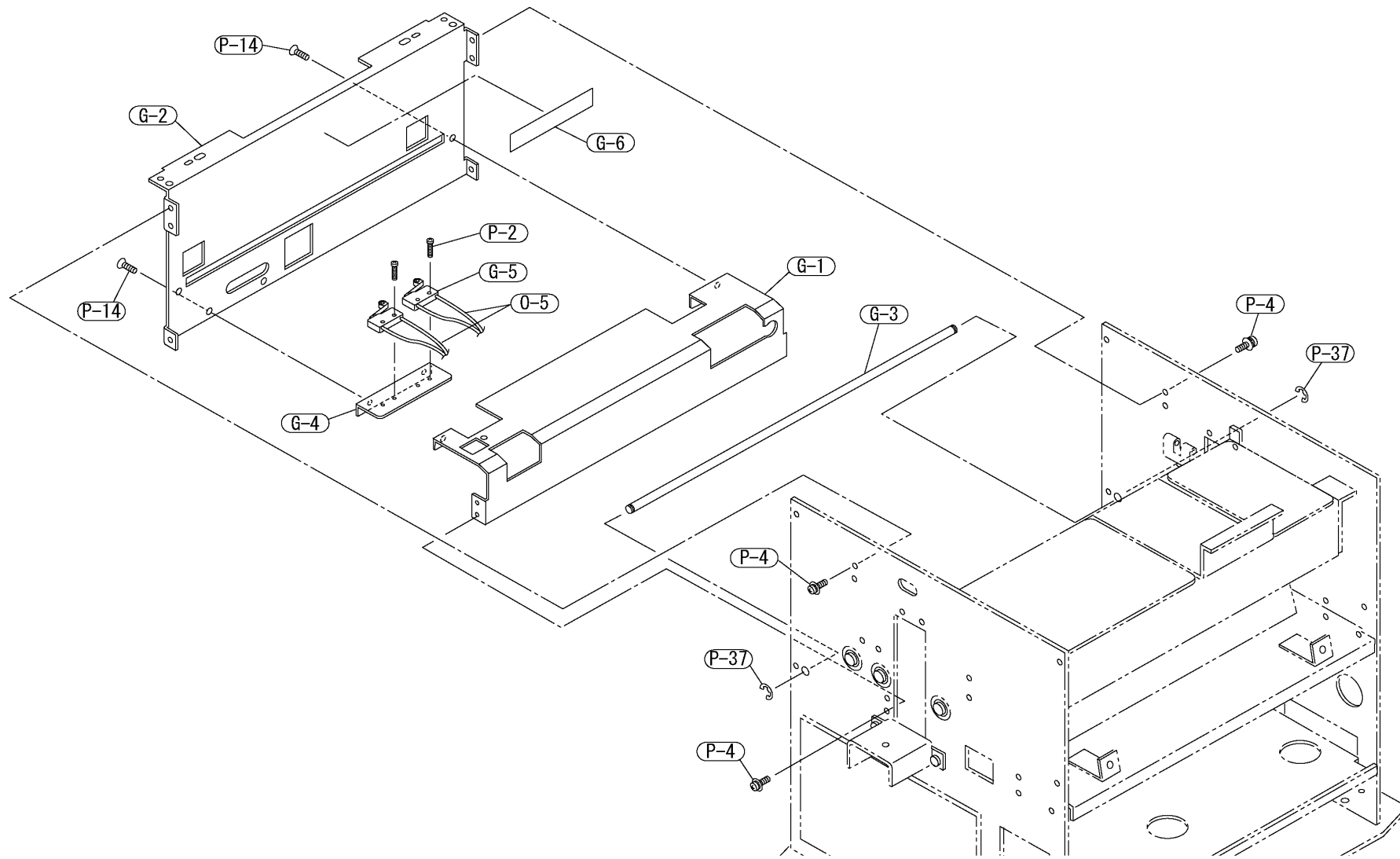


【F First feeder plate】

**【G Second feeder plate】**

| No.  | Parts Name                 | Material   | Q'ty |
|------|----------------------------|------------|------|
| G-1  | Second feeder plate        | SECC t=1.0 | 1    |
| G-2  | Slitter unit bracket       | SECC t=1.6 | 1    |
| G-3  | Slitter unit support shaft | SUS303B    | 1    |
| G-4  | Slitter sensor bracket     | SECC t=1.2 | 1    |
| G-5  | Slitter sensor MS          |            | 2    |
| O-5  | Slitter sensor MS harness  |            | 1    |
| G-6  | Caution label              |            | 1    |
| P-14 | Screw, flat head M3×6      | SWCH       | 4    |
| P-4  | Screw, B-SEMS M3×6         | SWCH       | 4    |
| P-37 | E-ring, E-4                | S60CM      | 2    |
|      |                            |            |      |
|      |                            |            |      |
|      |                            |            |      |

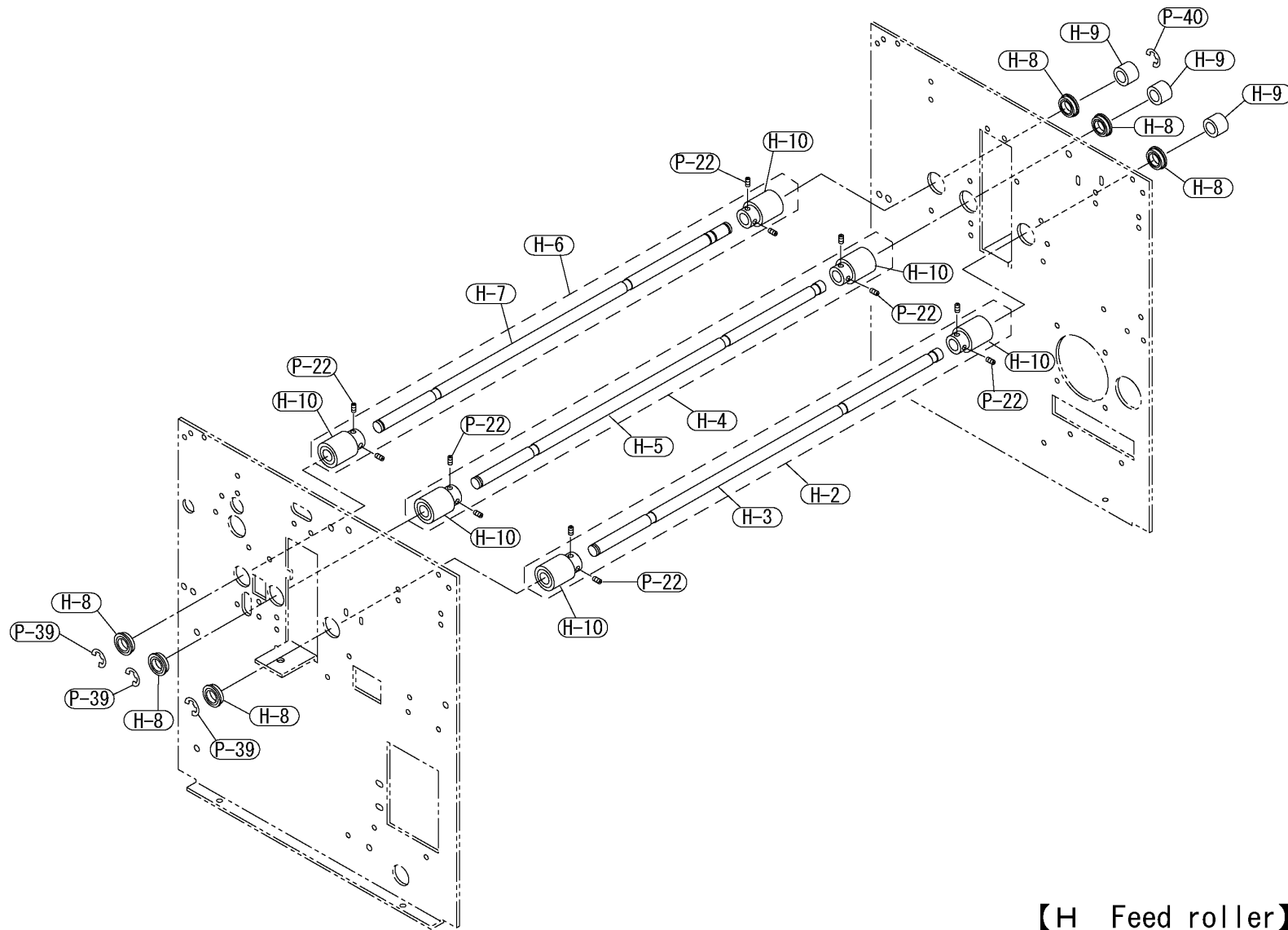




**【 G Second feeder plate】**

**【H Feed roller】**

| No.  | Parts Name                 | Material        | Q'ty |
|------|----------------------------|-----------------|------|
| H-2  | First feed roller ASSY     |                 | 1    |
| H-3  | First feed roller shaft    | SUS303B-DG      | 1    |
| H-4  | Second feed roller ASSY    |                 | 1    |
| H-5  | Second feed roller shaft   | SUS303B-DG      | 1    |
| H-6  | Third feed roller ASSY     |                 | 1    |
| H-7  | Third feed roller shaft    | SUS303B-DG      | 1    |
| H-8  | Bearing                    |                 | 6    |
| H-9  | Collar                     | C3604BD         | 3    |
| H-10 | Feed roller                | URETHANE/C3604B | 6    |
| P-22 | Screw, hex socket set M3×3 | SCM435          | 12   |
| P-39 | E-ring, E-6                | S60CM           | 2    |
| P-40 | E-ring, E-7                | S60CM           | 2    |
|      |                            |                 |      |



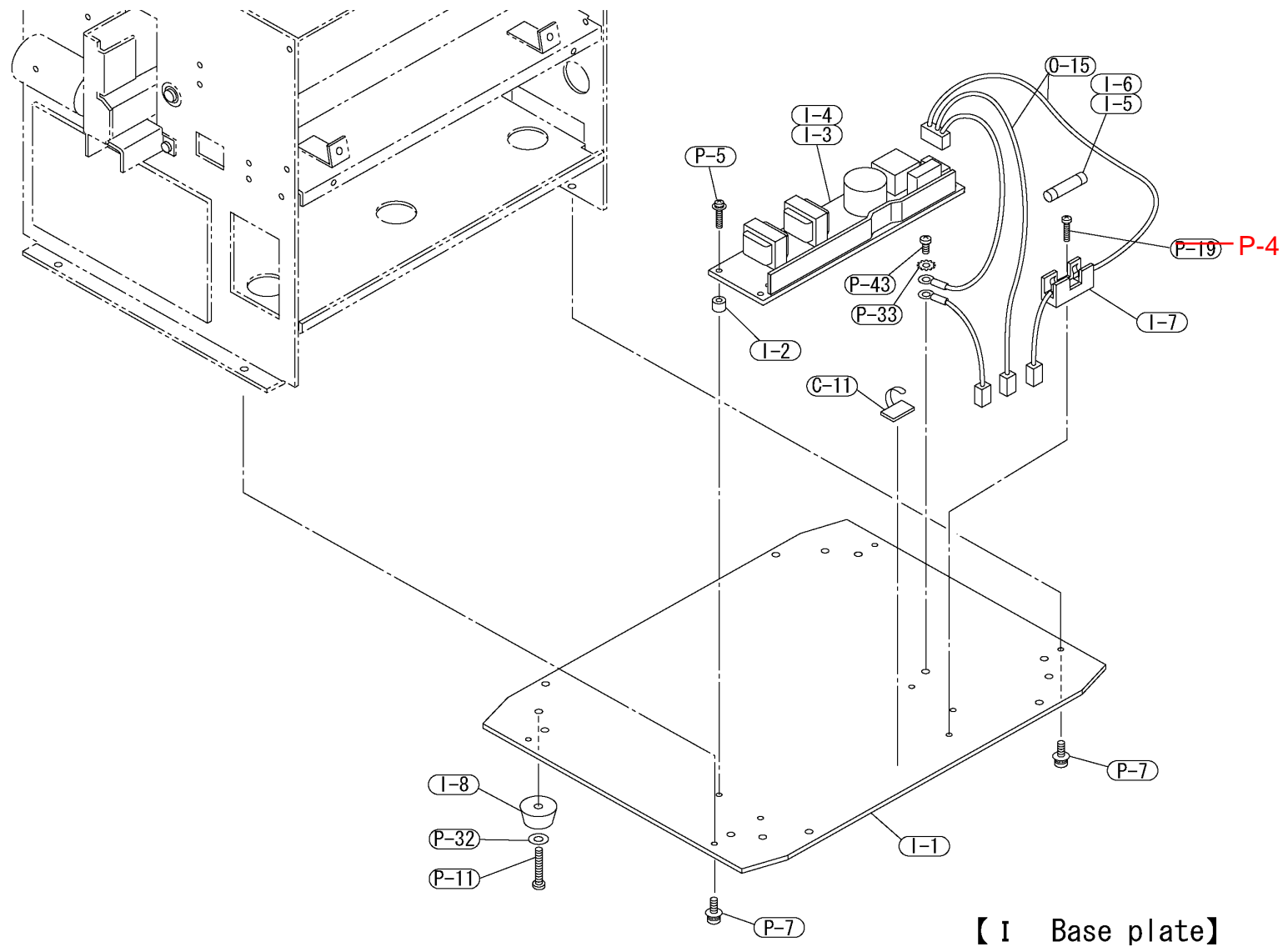
【H Feed roller】

**【I Base plate】**

| No.             | Parts Name                               | Material   | Q'ty |
|-----------------|--|------------|------|
| I-1             | Base plate                               | SECC t=2.3 | 1    |
| I-2             | Spacer, fix for power supply             | SUM22      | 4    |
| I-3             | Power supply(AC100V)                     |            | 1    |
| I-4             | Power supply(AC240V)                     |            | 1    |
| O-15            | AC harness(Power switch to Power supply) |            | 1    |
| I-5             | Fuse(125V)                               |            | 1    |
| I-6             | Fuse(250V)                               |            | 1    |
| I-7             | Fuse holder                              |            | 1    |
| I-8             | Foot                                     |            | 4    |
| I-9             | Cable tie                                |            | 2    |
| I-10            | Fuse label(125V)                         |            | 1    |
| I-11            | Fuse label(250V)                         |            | 1    |
| I-12            | Earth label                              |            | 1    |
| I-13            | Warning label                            |            | 1    |
| C-11            | Sticker with sponge                      |            | 1    |
| P-11            | Screw, pan head M4×14                    | SWCH       | 4    |
| P-4             | Screw, B-SEMS M3×6                       | SWCH       | 7    |
| <del>P-19</del> | Screw, binding M3×6                      | SWCH       | 1    |
| P-7             | Screw, B-SEMS M4×6                       | SWCH       | 4    |
| P-5             | Screw, B-SEMS M3×8                       | SWCH       | 4    |
| P-43            | Screw, binding M4×6                      | SWCH       | 1    |
| P-33            | Washer, external toothed lock M4         | SS400      | 1    |
| P-32            | Washer, flat M4                          | SS400      | 4    |
|                 |  |            |      |
|                 |  |            |      |

I2 comes w/I1

use P4

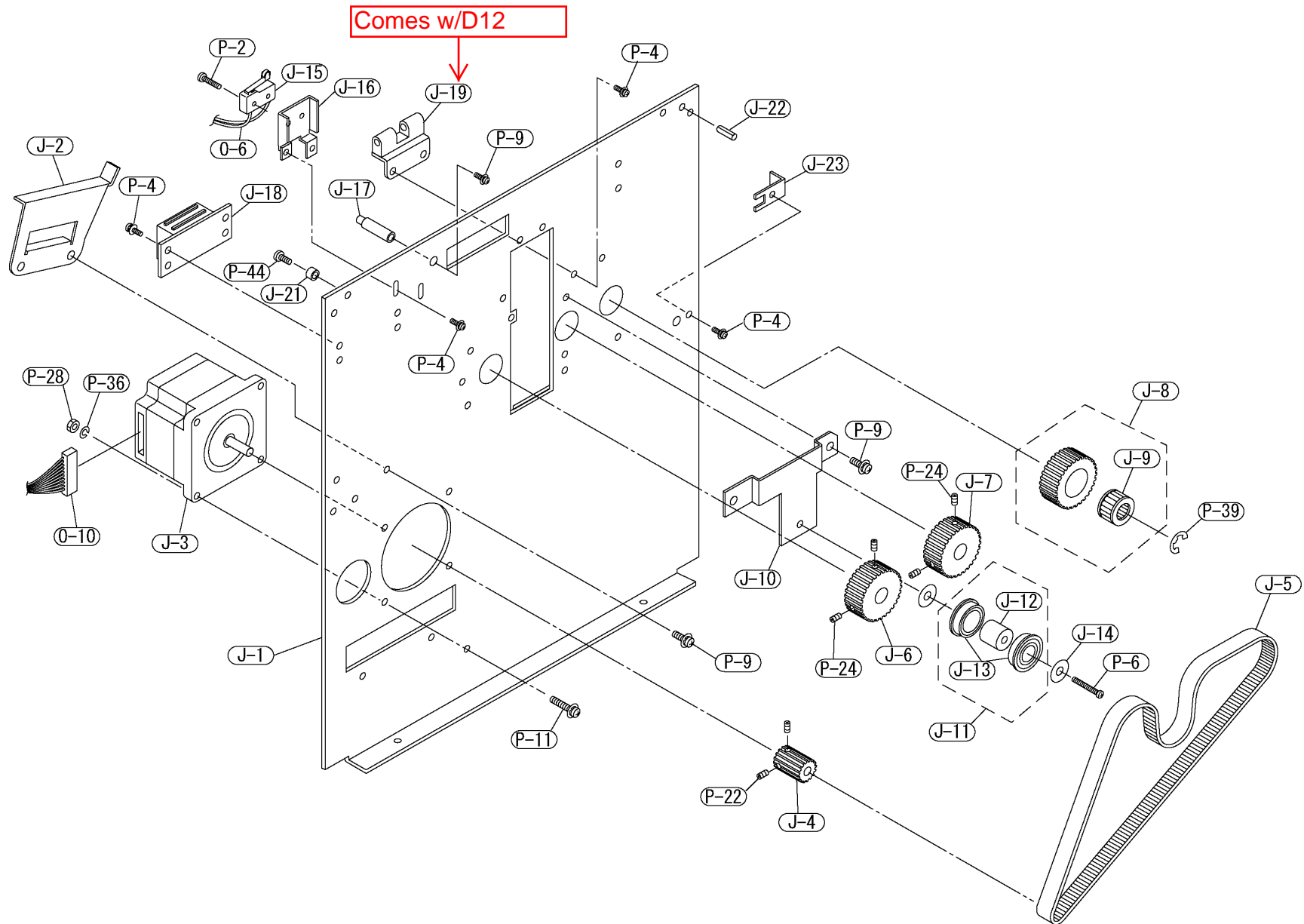


**【 I Base plate】**

**【J Side plate(R)】**

| No.  | Parts Name                        | Material   | Q'ty |
|------|-----------------------------------|------------|------|
| J-1  | Side plate(R)                     | SECC t=2.0 | 1    |
| J-2  | Bracket, paper feeder tray(R)     | SECC t=1.6 | 1    |
| J-3  | Stepping motor                    |            | 1    |
| O-10 | Stepping motor harness            |            | 1    |
| J-4  | Stepping motor shaft pulley       |            | 1    |
| J-5  | Timing belt                       |            | 1    |
| J-6  | Timing pulley1                    |            | 1    |
| J-7  | Timing pulley2                    |            | 1    |
| J-8  | Timing pulley3 ASSY               |            | 1    |
| J-9  | One-way clutch                    |            | 1    |
| J-10 | Aidoler bracket                   | SECC t=2.0 | 1    |
| J-11 | Aidoler ASSY                      |            | 1    |
| J-12 | Aidoler collar                    | C3604BD    | 1    |
| J-13 | Bearing                           |            | 2    |
| J-14 | Washer, 3×12                      | SS400      |      |
| J-15 | Upper cover inter-lock MS         |            | 1    |
| O-6  | Upper cover inter-lock MS harness |            | 1    |
| J-16 | Upper cover inter-lock cover      |            | 1    |
| J-17 | Paper feeder unit hinge pin       | SUS        | 1    |
| J-18 | Magnet catch                      |            | 1    |
| J-19 | Ball catch                        |            | 1    |
| J-20 | Spiral tube                       |            |      |
| J-21 | PE tube                           |            | 1    |
| J-22 | Spring pin                        | SWO        | 1    |
| J-23 | Rear panel holder                 | SECC t=1.6 | 1    |
| P-9  | Screw, B-SEMS M4×8                | SWCH       | 4    |
| P-2  | Screw, pan head M2×10             | SWCH       | 2    |
| P-6  | Screw, pan head M3×20             | SWCH       | 1    |
| P-11 | Screw, pan head M4×14             | SWCH       | 4    |
| P-4  | Screw, B-SEMS M3×6                | SWCH       | 8    |
| P-22 | Screw, hex socket set M3×3        | SCM435     | 2    |
| P-24 | Screw, hex socket set M3×5        | SCM435     | 4    |
| P-44 | Screw, binding M4×8               | SWCH       | 1    |
| P-28 | Nut, hex M4                       | SWCH       | 4    |
| P-36 | Washer, split lock M4             | SWCH       | 4    |
| P-39 | E-ring, E-6                       | S60CM      | 1    |
|      |                                   |            |      |
|      |                                   |            |      |

O6 comes w/J15



【 J Side plate(R) 】

**【K Side plate(L)】**

| No.  |                                 | Material   | Q'ty |
|------|---------------------------------|------------|------|
| K-1  | Side plate(L)                   | SECC t=2   | 1    |
| K-2  | Bracket paper feeder(L)         | SECC t=1.6 | 1    |
| K-3  | S1 sensor ASSY                  |            | 1    |
| K-4  | S1 sensor bracket               | SPCC t=2.3 | 1    |
| K-5  | S1 sensor PCB                   |            | 1    |
| O-7  | S1 sensor harness               |            | 1    |
| K-6  | Main PCB                        |            | 1    |
| K-7  | Spacer, fix for main PCB        | SUM22      | 4    |
| K-8  | Bracket, cutter unit            | SECC t=1.6 | 1    |
| K-9  | S3 sensor ASSY                  |            | 1    |
| K-10 | S3 sensor bracket               | SECC t=1.6 | 1    |
| K-11 | S3 sensor                       |            | 1    |
| O-2  | S3 sensor harness               |            | 1    |
| K-12 | Trash-box inter-lock MS ASSY    |            | 1    |
| K-13 | Trash-box inter-lock MS         |            | 1    |
| O-4  | Trash-box inter-lock MS harness |            | 1    |
| K-14 | Trash-box inter-lock MS brack   | SECC t=1.2 | 1    |
| K-15 | Magnet catch                    |            | 1    |
| K-16 | PE tube                         |            | 1    |
| K-17 | Paper feeder unit hinge pin     | SUS        | 1    |
| K-18 | Paper feeder unit stopper pin   | SUS        | 1    |
| K-19 | Spring pin                      | SWO        | 1    |
| K-20 | Rear panel holder               | SECC t=1.6 | 1    |
| K-21 | Ball catch                      |            | 1    |
| C-11 | Sticker with sponge             |            | 6    |
| I-9  | Cable tie                       |            | 9    |
| P-1  | Screw, pan head M2×5            | SWCH       | 2    |
| P-2  | Screw, pan head M2×10           | SWCH       | 2    |
| P-26 | Nut, hex M2                     | SWCH       | 2    |
| P-4  | Screw, B-SEMS M3×6              | SWCH       | 15   |
| P-7  | Screw, B-SEMS M4×6              | SWCH       | 2    |
| P-9  | Screw, B-SEMS M4×8              | SWCH       | 6    |
| P-18 | Screw, binding M3×6             | SWCH       | 2    |
| P-44 | Screw, binding M4×8             | SWCH       | 1    |

K4, K5, O7 comes w/K3

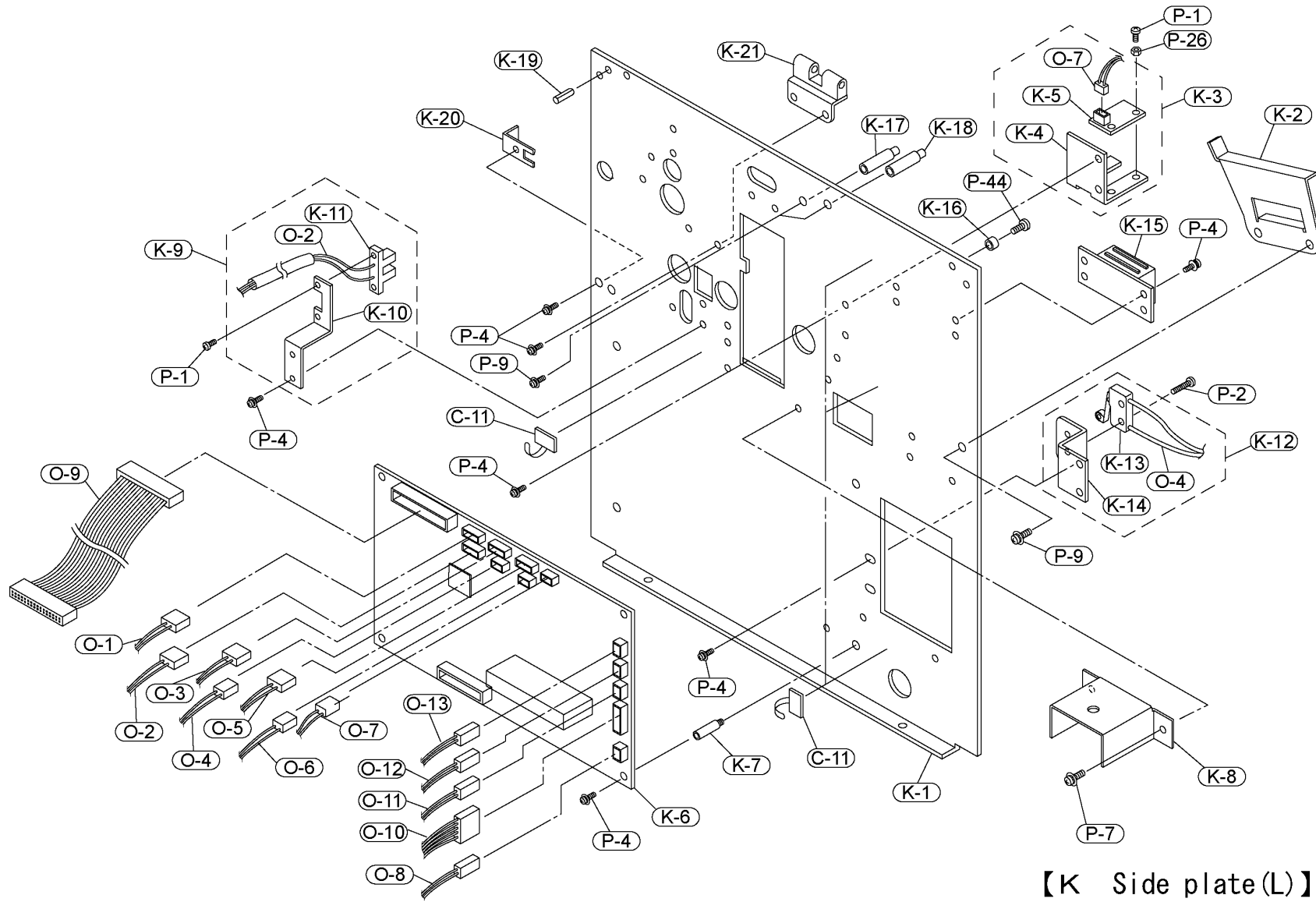
use K3 complete once these run out

K7 comes w/K6

K10, K11, & O2 comes w/K9

K13, O4, & K14 comes w/K12

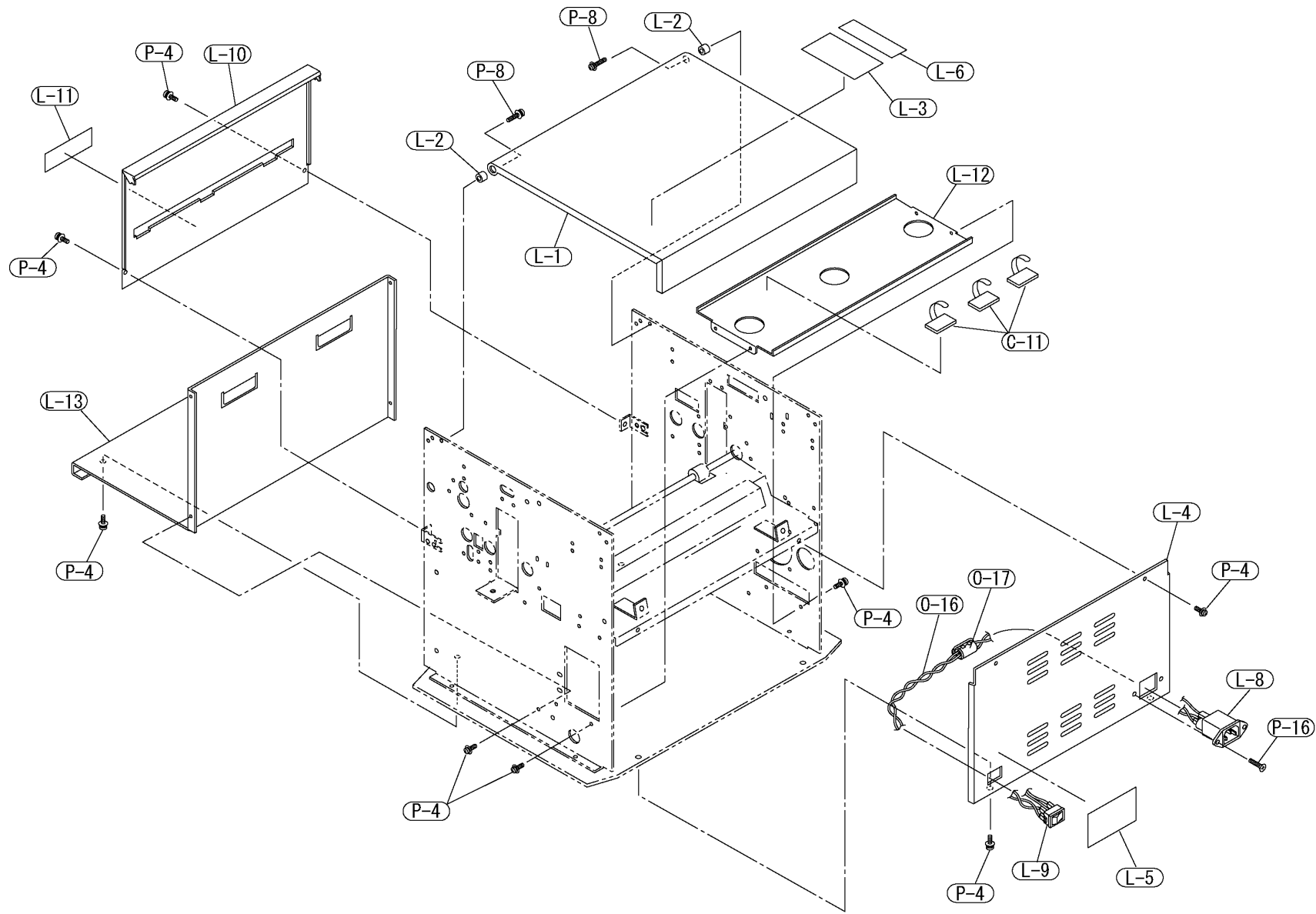




**【K Side plate(L)】**

**【L Upper cover, Front panel, Rear panel】**

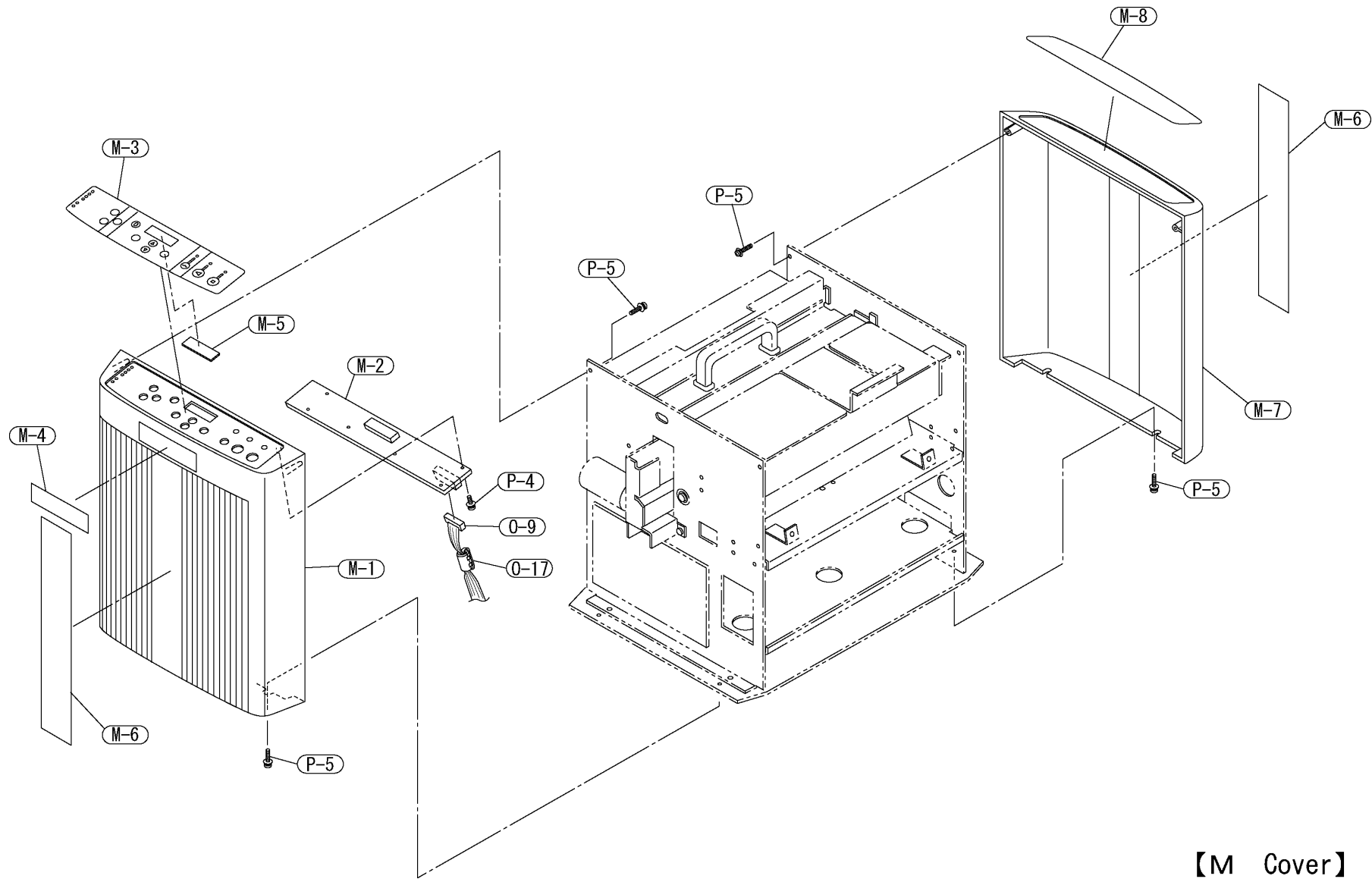
| No.  | Parts Name                               | Material   | Q' ty |
|------|--|------------|-------|
| L-1  | Upper cover                              | SECC t=0.8 | 1     |
| L-2  | Upper cover hinge collar                 |            | 2     |
| L-3  | Caution label                            |            | 1     |
| L-4  | Front panel                              | SECC t=1.0 | 1     |
| L-5  | Serial tag                               |            | 1     |
| L-6  | Caution label                            |            | 1     |
| L-7  | Warning label                            |            | 1     |
| L-8  | Power inlet                              |            | 1     |
| O-16 | AC harness(Power inlet to Power switch)  |            | 1     |
| L-9  | Power switch                             |            | 1     |
| O-15 | AC harness(Power switch to Power supply) |            | 1     |
| L-10 | Rear panel                               | SECC t=1.0 | 1     |
| L-11 | Warning label                            |            | 1     |
| L-12 | Dust plate                               | SECC t=0.8 | 1     |
| L-13 | Partition                                | SECC t=1.0 | 1     |
| P-8  | Screw, pan head M4×8                     | SWCH       | 2     |
| P-4  | Screw, B-SEMS M3×6                       | SWCH       | 16    |
| P-16 | Screw, flat head M3×8                    | SWCH       | 2     |
| C-11 | Sticker with sponge                      |            | 3     |
|      |  |            |       |
|      |  |            |       |



【L Upper cover, Front panel, Rear panel】

**【M cover】**

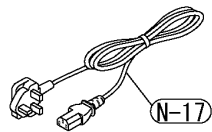
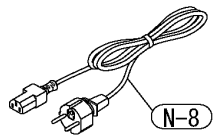
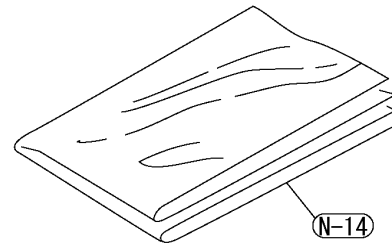
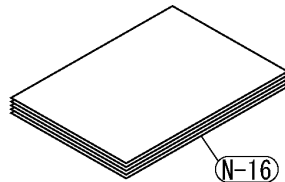
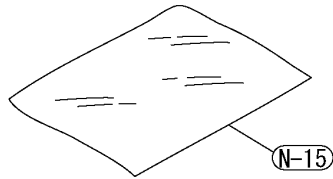
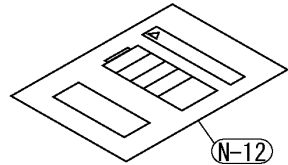
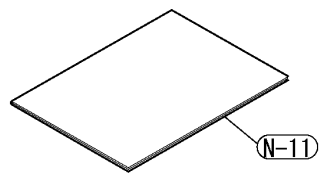
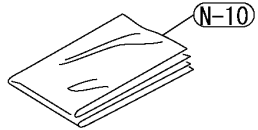
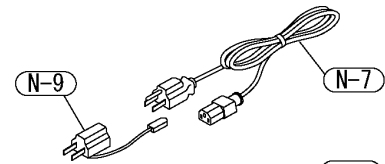
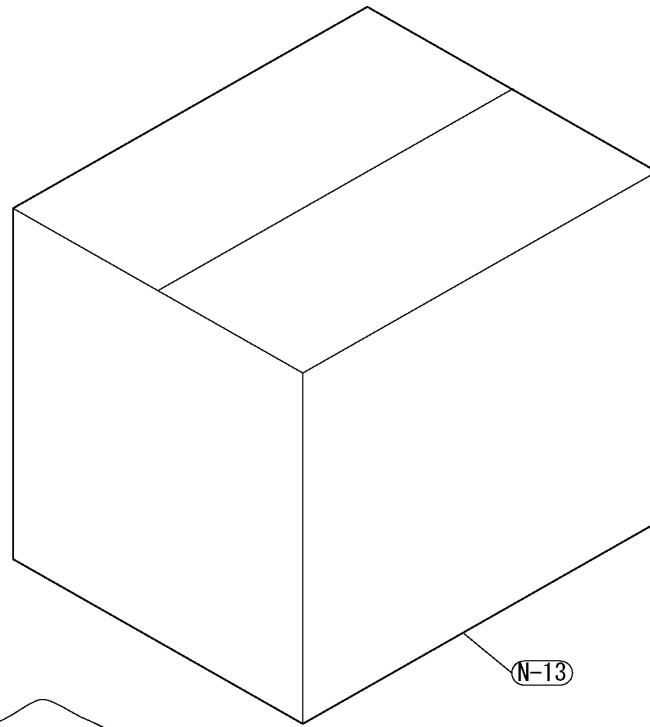
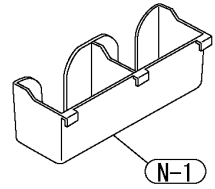
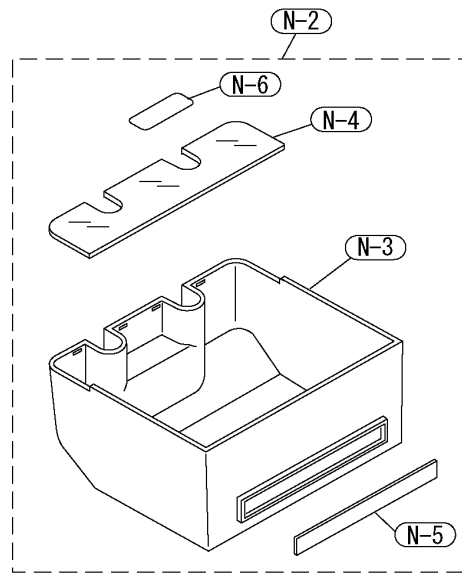
| No. | Parts Name              | Material  | Q'ty |
|-----|-------------------------|-----------|------|
| M-1 | Front cover             | ABS       | 1    |
| M-2 | Operation PCB           |           | 1    |
| O-9 | Operation panel harness |           | 1    |
| M-3 | Operation panel         |           | 1    |
| M-4 | Name plate              |           | 1    |
| M-5 | Segment window          | PVC t=1.0 | 1    |
| M-6 | Decoration plate        |           | 2    |
| M-7 | Rear cover              | ABS       | 1    |
| M-8 | Rear panel              |           | 1    |
| P-4 | Screw, B-SEMS M3×6      | SWCH      | 6    |
| P-5 | Screw, B-SEMS M3×8      | SWCH      | 8    |
|     |                         |           |      |
|     |                         |           |      |



**【N Stacker box, Trash box】**

| No.  | Parts Name             | Material                         | Q' ty |
|------|------------------------|----------------------------------|-------|
| N-1  | Stacker box            |                                  | 1     |
| N-2  | Trash box ASSY         |                                  | 1     |
| N-3  | Trash box              |                                  | 1     |
| N-4  | Cover                  |                                  | 1     |
| N-5  | Magnet sheet           |                                  | 1     |
| N-6  | Warning label          |                                  | 1     |
| N-7  | Power code (AC125V)    |                                  | 1     |
| N-8  | Power code (AC250V) EU | KP-4819D GTCE-3 1.0/2m<br>KS-31A | 1     |
| N-17 | Power code (AC250V) UK | KP-624 GTCE-3 1.0/2m<br>KS-31A   | 1     |
| N-9  | Plug adapter           |                                  |       |
| N-10 | PE bag (power code)    | PE t=0.05 200×500mm              | 1     |
| N-11 | Operation manual       |                                  | 1     |
| N-12 | Recovery procedures    |                                  | 1     |
| N-13 | Carton                 |                                  | 1     |
| N-14 | PE bag (machine)       | PE t=0.05 800×700mm              | 1     |
| N-15 | PE bag (papers)        | PE t=0.05 250×340mm              | 1     |
| N-16 | Sample papers (A4)     | BC-R560-A4PF                     | 5     |
|      | Sample papers (LTR)    |                                  | 5     |
|      |                        |                                  |       |

N3 & N4 comes w/N2



【N Stacker box, Trash box】

**【0 Harness】**

| No.  | Parts Name                               | Material | Q'ty |  |
|------|--|----------|------|--|
| O-1  | S2 sensor harness                        |          | 1    |  |
| O-2  | S3 sensor harness                        |          | 1    |  |
| O-3  | Cutter sensor harness                    |          | 1    |  |
| O-4  | Trash box inter-lock MS harness          |          | 1    |  |
| O-5  | Slitter sensor MS harness                |          | 1    |  |
| O-6  | Upper cover inter-lock MS harness        |          | 1    |  |
| O-7  | S1 sensor harness                        |          | 1    |  |
| O-8  | Power supply harness                     |          | 1    |  |
| O-9  | Operation panel harness                  |          | 1    |  |
| O-10 | Stepping motor harness                   |          | 1    |  |
| O-11 | Pick-up motor harness                    |          | 1    |  |
| O-12 | Cutter motor harness                     |          | 1    |  |
| O-13 | Slitter motor harness                    |          | 1    |  |
| O-14 | Slitter motor extention harness          |          | 1    |  |
| O-15 | AC harness(Power switch to Power supply) |          | 1    |  |
| O-16 | AC harness(Power inlet to Power switch)  |          | 1    |  |
| O-17 | Ferrite core                             |          | 3    |  |
|      |  |          |      |  |

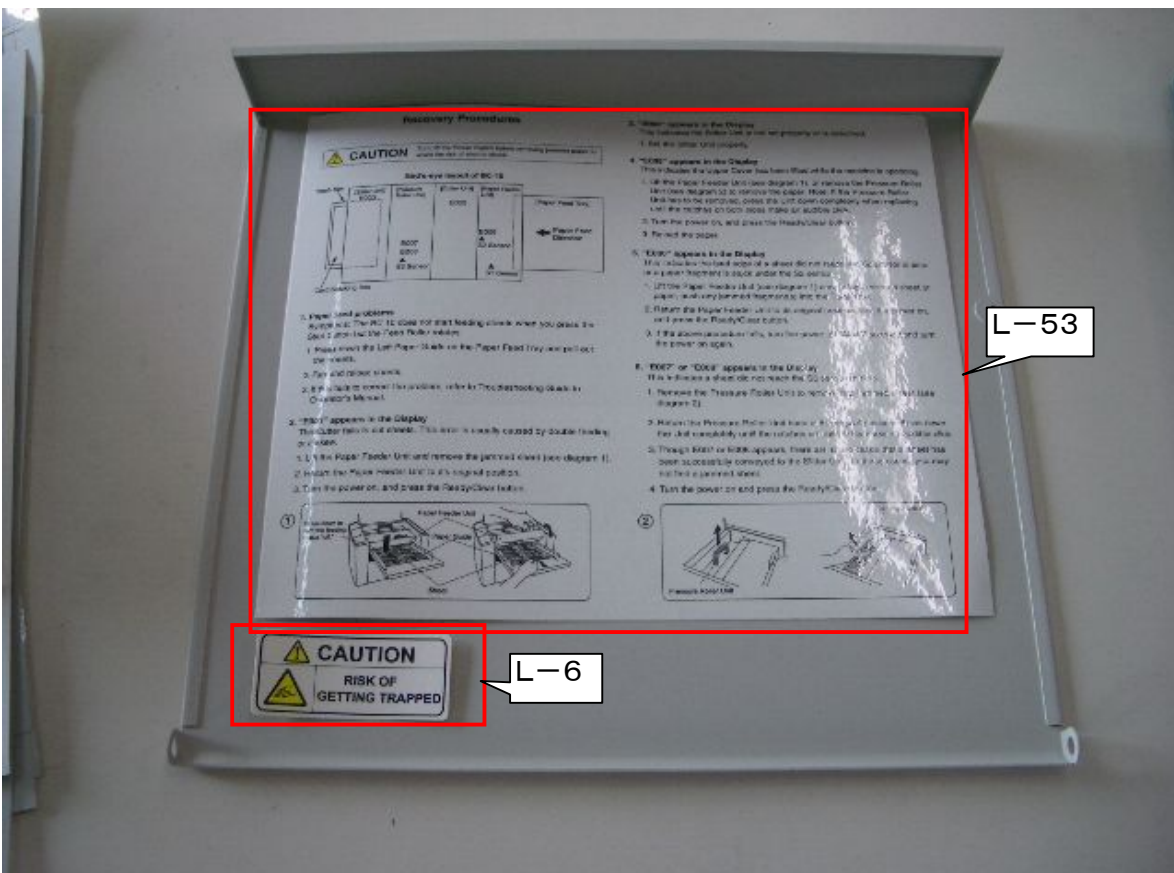
use C6

use B12



**【P Screw, Nut, Washer】**

| No.  | Parts Name                    | Material | Q'ty |  |
|------|-------------------------------|----------|------|--|
| P-1  | Screw, pan head M2×5          | SWCH     |      |  |
| P-2  | Screw, pan head M2×10         | SWCH     |      |  |
| P-4  | Screw, B-SEMS M3×6            | SWCH     |      |  |
| P-5  | Screw, B-SEMS M3×8            | SWCH     |      |  |
| P-6  | Screw, pan head M3×20         | SWCH     |      |  |
| P-7  | Screw, B-SEMS M4×6            | SWCH     |      |  |
| P-8  | Screw, pan head M4×8          | SWCH     |      |  |
| P-9  | Screw, B-SEMS M4×8            | SWCH     |      |  |
| P-10 | Screw, pan head M4×11         | SWCH     |      |  |
| P-11 | Screw, pan head M4×14         | SWCH     |      |  |
| P-12 | Screw, flat head M2×5         | SWCH     |      |  |
| P-13 | Screw, flat head M3×5         | SWCH     |      |  |
| P-14 | Screw, flat head M3×6         | SWCH     |      |  |
| P-16 | Screw, flat head M3×8         | SWCH     |      |  |
| P-17 | Screw, hex socket cap M4×10   | SCM435   |      |  |
| P-18 | Screw, binding M3×4           | SWCH     |      |  |
| P-19 | Screw, binding M3×6           | SWCH     |      |  |
| P-21 | Screw, binding M3×20          | SWCH     |      |  |
| P-22 | Screw, hex socket set M3×3    | SCM435   |      |  |
| P-23 | Screw, hex socket set M3×4    | SCM435   |      |  |
| P-24 | Screw, hex socket set M3×5    | SCM435   |      |  |
| P-25 | Screw, hex socket set M4×4    | SCM435   |      |  |
| P-26 | Nut, hex M2                   | SWCH     |      |  |
| P-27 | Nut, hex M3                   | SWCH     |      |  |
| P-28 | Nut, hex M4                   | SWCH     |      |  |
| P-29 | Nut, hex M5                   | SWCH     |      |  |
| P-30 | Washer, flat M3               | SS400    |      |  |
| P-31 | Washer, flat M3(small)        | SS400    |      |  |
| P-32 | Washer, flat M4               | SS400    |      |  |
| P-33 | Washer, external toothed lock | SS400    |      |  |
| P-34 | Washer, split lock M2         | SWRH     |      |  |
| P-35 | Washer, split lock M3         | SWRH     |      |  |
| P-36 | Washer, split lock M4         | SWRH     |      |  |
| P-37 | E-ring, E-4                   | S60CM    |      |  |
| P-38 | E-ring, E-5                   | S60CM    |      |  |
| P-39 | E-ring, E-6                   | S60CM    |      |  |
| P-40 | E-ring, E-7                   | S60CM    |      |  |
| P-41 | E-ring, E-8                   | S60CM    |      |  |
| P-42 | C-ring, C-18                  | S60CM    |      |  |
| P-43 | Screw, binding M4×6           | SWCH     |      |  |
| P-44 | Screw, binding M4×8           | SWCH     |      |  |



B22 Screws



B54N Stopper  
Plate

