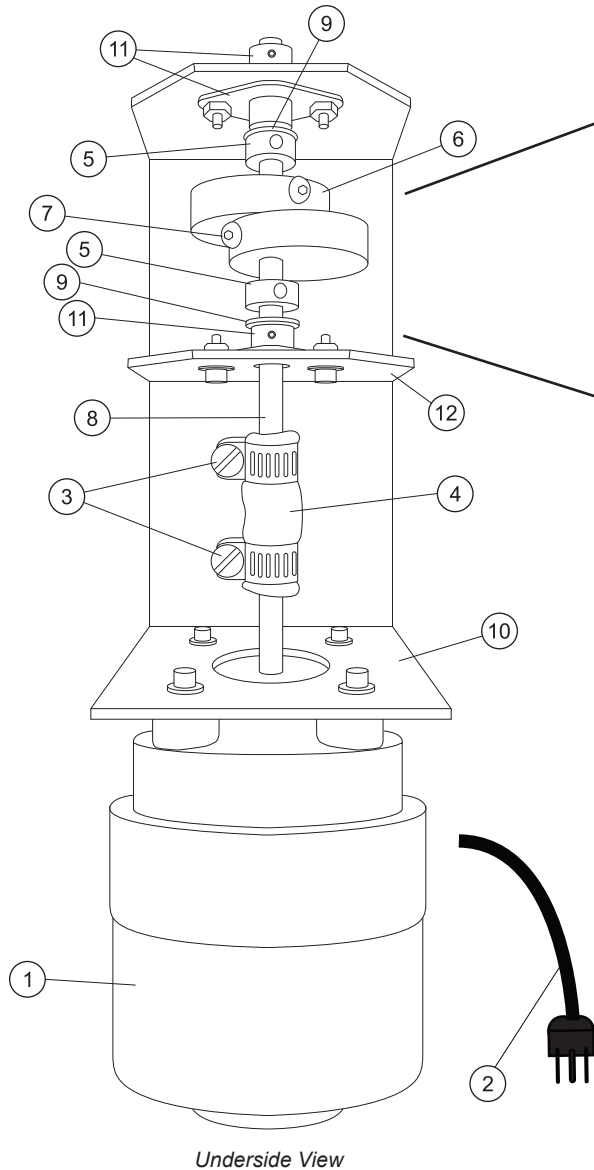


Parts Diagram Lassco-Wizer LJ-2



- ① L-1014: Motor
- ② FM5-5008: Electric Cord
- ③ L-1020: #6 Hose Clamp
- ④ L-1019: Torque Tube
- ⑤ L-1021: Shaft Collar
- ⑥ L-1017: Eccentric Adjustment Disc
- ⑦ 10-32 Screw x 3/4 Button Head Machine Screw
- ⑧ L-1018: Eccentric Disc Shaft
- ⑨ L-1030 3/8" ID x 3/4" OD Fiber Washer
- ⑩ L-2032: Motor Mount
- ⑪ L-1034: Flange Bearing
- ⑫ L-2031: Flange Bearing Mount