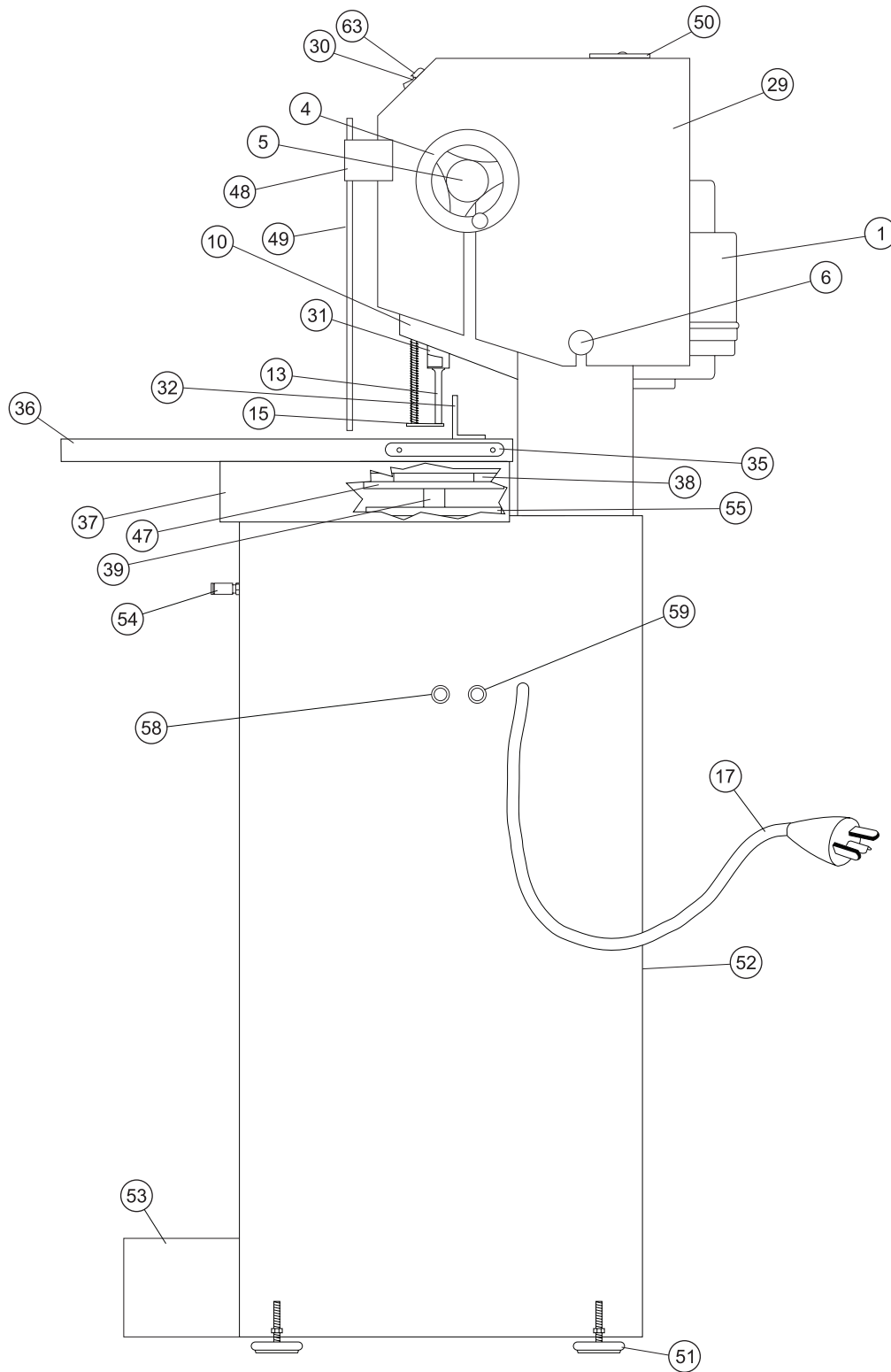


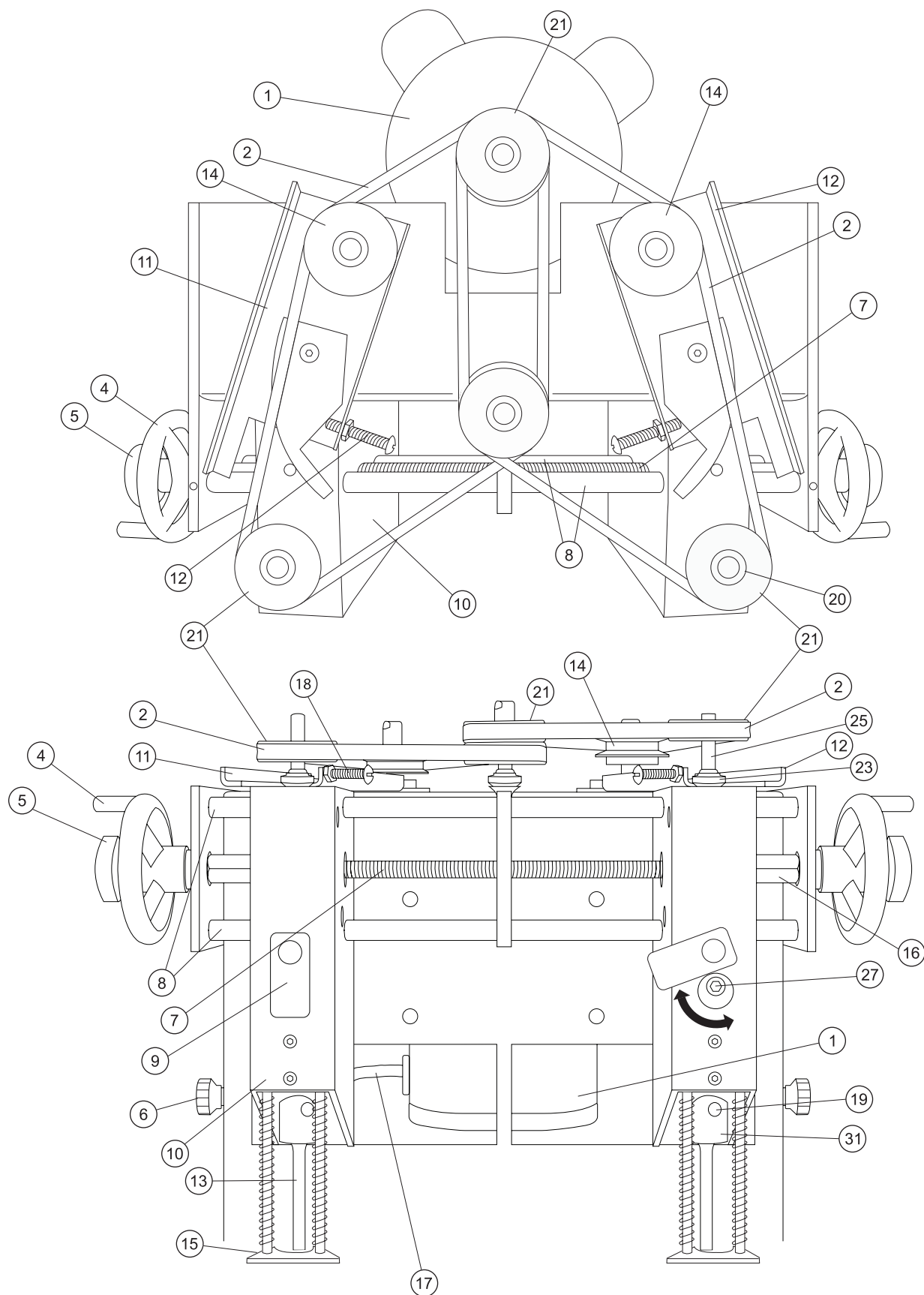
# Parts Diagram - Lassco-Wizer FMMH-2

## Side View



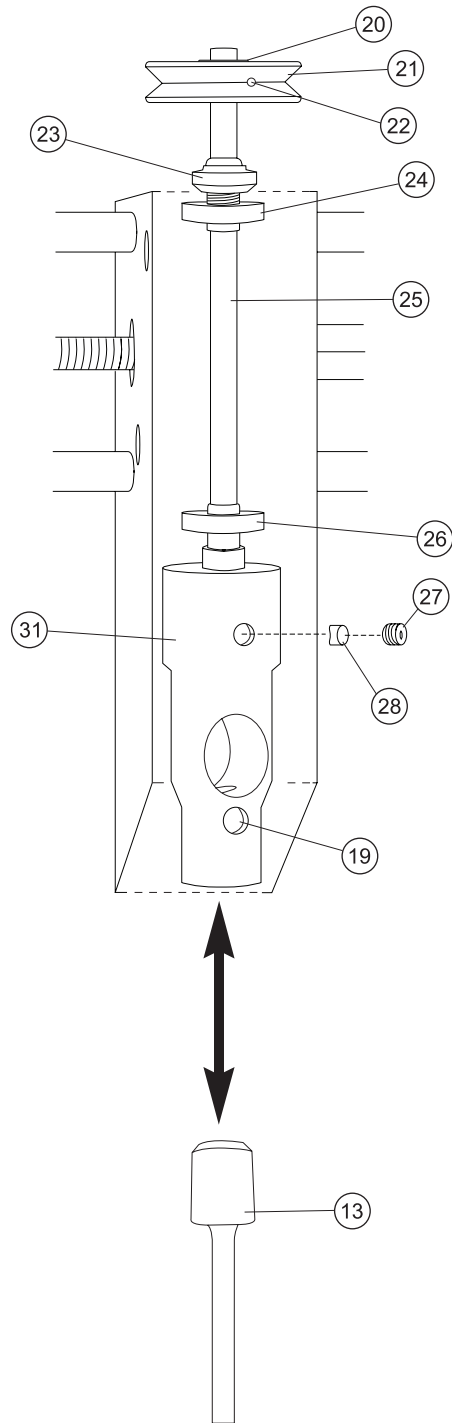
# Parts Diagram - Lassco-Wizer FMMH-2

## Head Assembly



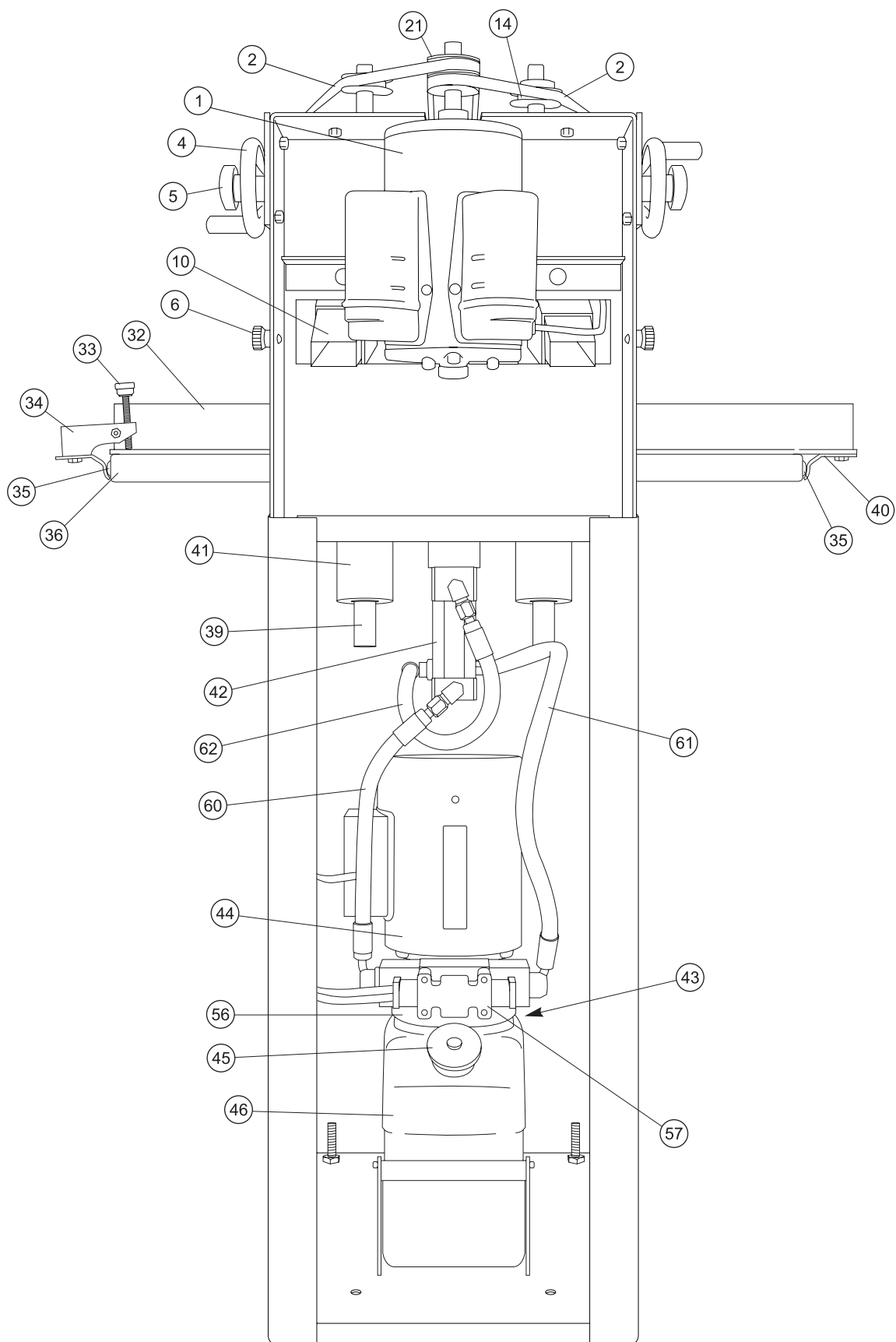
# Parts Diagram - Lassco-Wizer FMMH-2

## Spindle and Chuck Assembly



# Parts Diagram - Lassco-Wizer FMMH-2

## Rear View



# Parts Diagram - Lassco-Wizer FMMH-2

## Parts List

- |  |   |
|--|---|
| ① FMM9-9534: Motor                       | ③⑥ FMH-4000: Table                      |
| ② FMM9-9530: Drive Belt                  | ③⑦ FMH-3017: Safety Apron               |
| ③ N/A                                    | ③⑧ FMH-3018: Table Bolster              |
| ④ FMM8-8504: Hand Wheel                  | ③⑨ FM3-3004: Die Pin                    |
| ⑤ FMM8-8508: Hand Wheel Lock Knob        | ④⑩ FM7-7002: Backgauge Clamping Bracket |
| ⑥ FMM9-9517: Shroud Locking Knob         | ④⑪ FM3-3007: Pin Housing                |
| ⑦ FMM8-8503: Traverse Lead Screw         | ④⑫ FMH-2014: Hydraulic Cylinder         |
| ⑧ FMM8-8502: Traverse Rods               | ④⑬ FMH-2016: Hydraulic Pump (Not Shown) |
| ⑨ FMM5-5512: Access Cover                | ④⑭ FMH-2020: Hydraulic Motor            |
| ⑩ FMM5-5506: Housing                     | ④⑮ Cap for Tank                         |
| ⑪ FMM9-9500: Left Pivot Channel          | ④⑯ FMH-2015: Tank                       |
| ⑫ FMM9-9502: Right Pivot Channel         | ④⑰ FMH-3001: Top Die Shoe               |
| ⑬ Misc: Hollow Drill Bit                 | ④⑱ FM-90: Guard Bracket                 |
| ⑭ FMM9-9506: Idler Pulley                | ④⑲ FM-93: Protective Guard              |
| ⑮ FM6-600A: Pressure Foot Assembly       | ④⑳ FM-95: Access Guard                  |
| ⑯ FMM8-8506: Traverse Stop               | ④㉑ 50-59: Leveling Feet                 |
| ⑰ FMH-5008: Cord Set                     | ④㉒ FMH-1000: Stand                      |
| ⑱ Cam Adjustment Screw (Belt Adjustment) | ④㉓ FMP2-2015: Foot Pedal Guard          |
| ⑲ Chuck Release Hole                     | ④㉔ FMP2-2005: Flow Control Valve        |
| ⑳ FMM9-9514: Pulley Bushing              | ④㉕ FMH-3000: Bottom Die Shoe            |
| ㉑ FMM9-9505: Pulley                      | ④㉖ FMH-2017: Adapter Pad                |
| ㉒ 1/4 x 20 x 3/8 Socket Set Screw        | ④㉗ FMH-2010: Control Valve              |
| ㉓ FMM5-5503: Bearing Nut                 | ④㉘ FMH-83: 12 Amp Fuse                  |
| ㉔ FMM5-5501: Top Bearing                 | ④㉙ FMH-82: 8 Amp Fuse                   |
| ㉕ FMM5-5513: Spindle                     | ④㉚ FMH-2008: 13.5" Hose Assembly        |
| ㉖ FMM5-5502: Bottom Bearing              | ④㉛ FMH-2007: 10" Hose Assembly          |
| ㉗ FMH-5517: Insert Retainer Screw        | ④㉜ FMH-2009: 18" Hose Assembly          |
| ㉘ FMH-5515: Insert                       | ④㉝ FMH-1050: Switch Guard               |
| ㉙ FMH-952A: Shroud Assembly              |   |
| ㉚ FM5-5006: On/Off Rocker Switch         |   |
| ㉛ FMH-5514: Chuck                        |   |
| ㉜ FM7-70A: Back Gauge Assembly           |   |
| ㉝ FM7-7005: Backgauge Knob               |   |
| ㉞ FM7-7003: Clamp Bar                    |   |
| ㉟ FM4-4003: Side Iron                    |   |