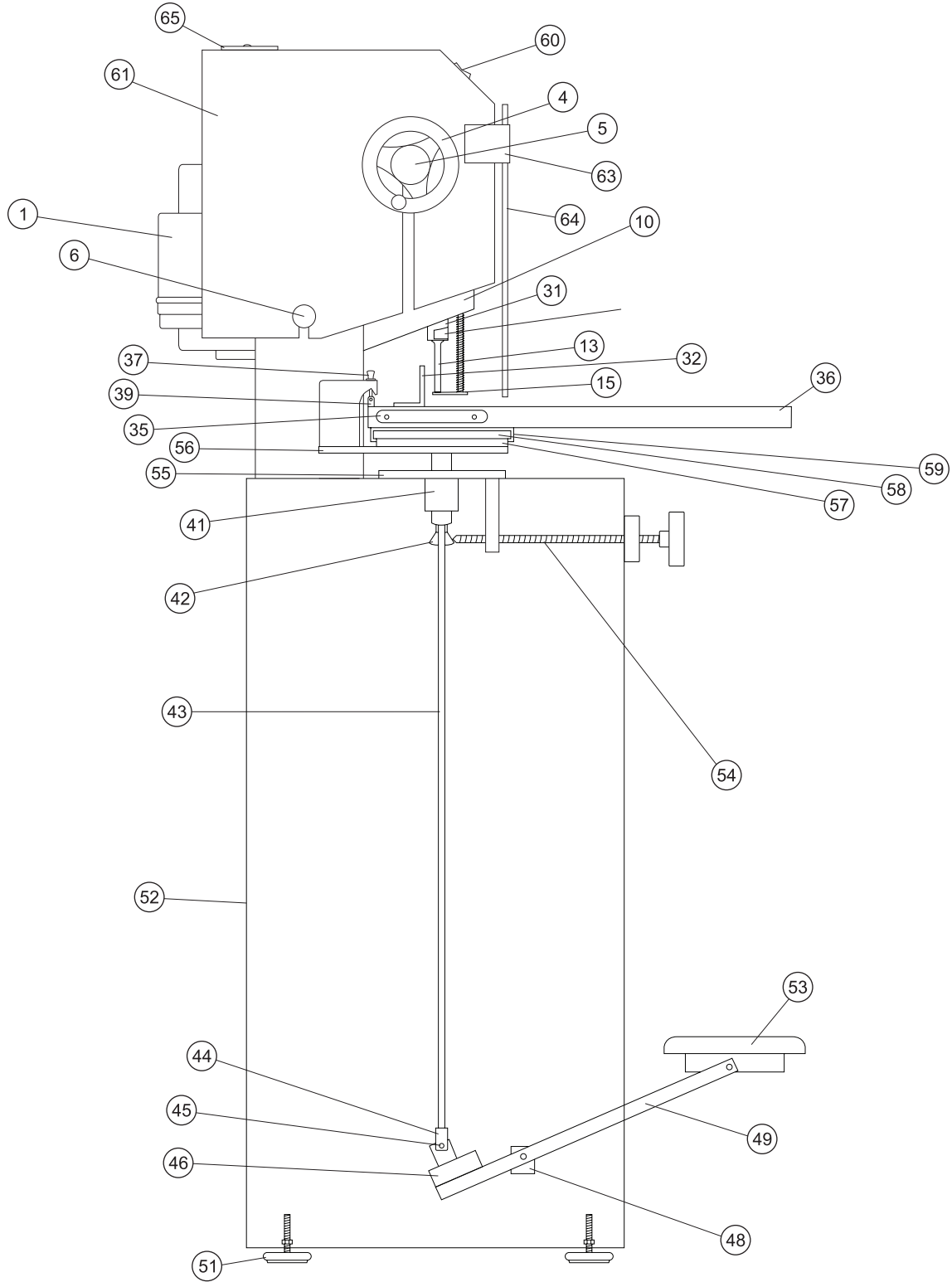


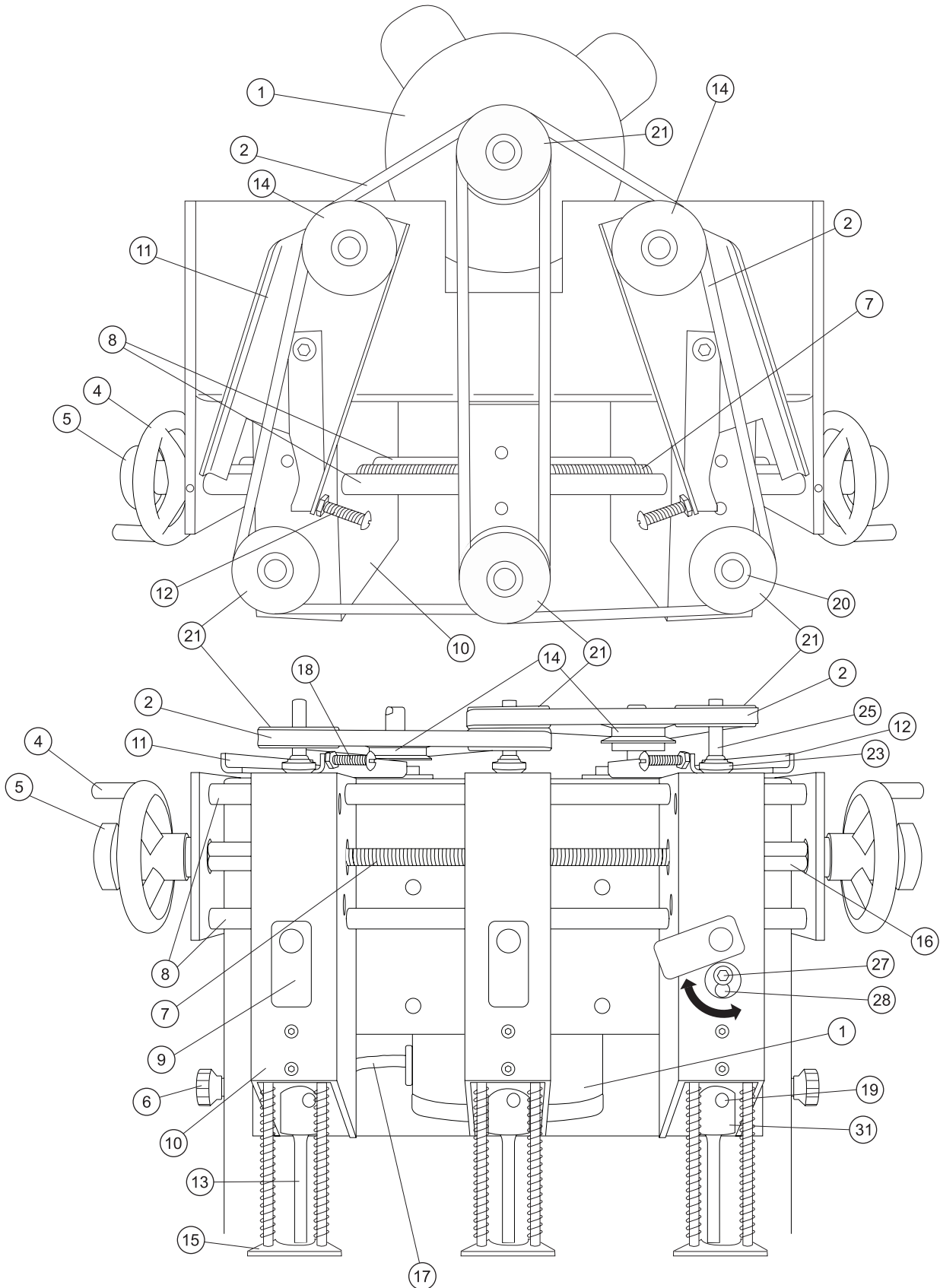
Parts Diagram - Lassco-Wizer FMM-3

Side View



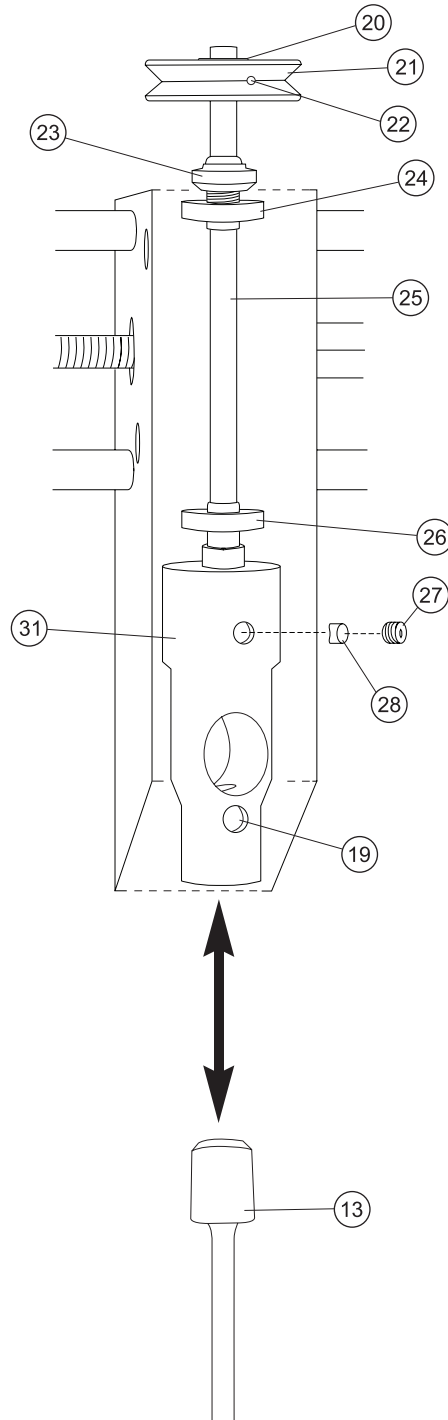
Parts Diagram - Lassco-Wizer FMM-3

Head Assembly



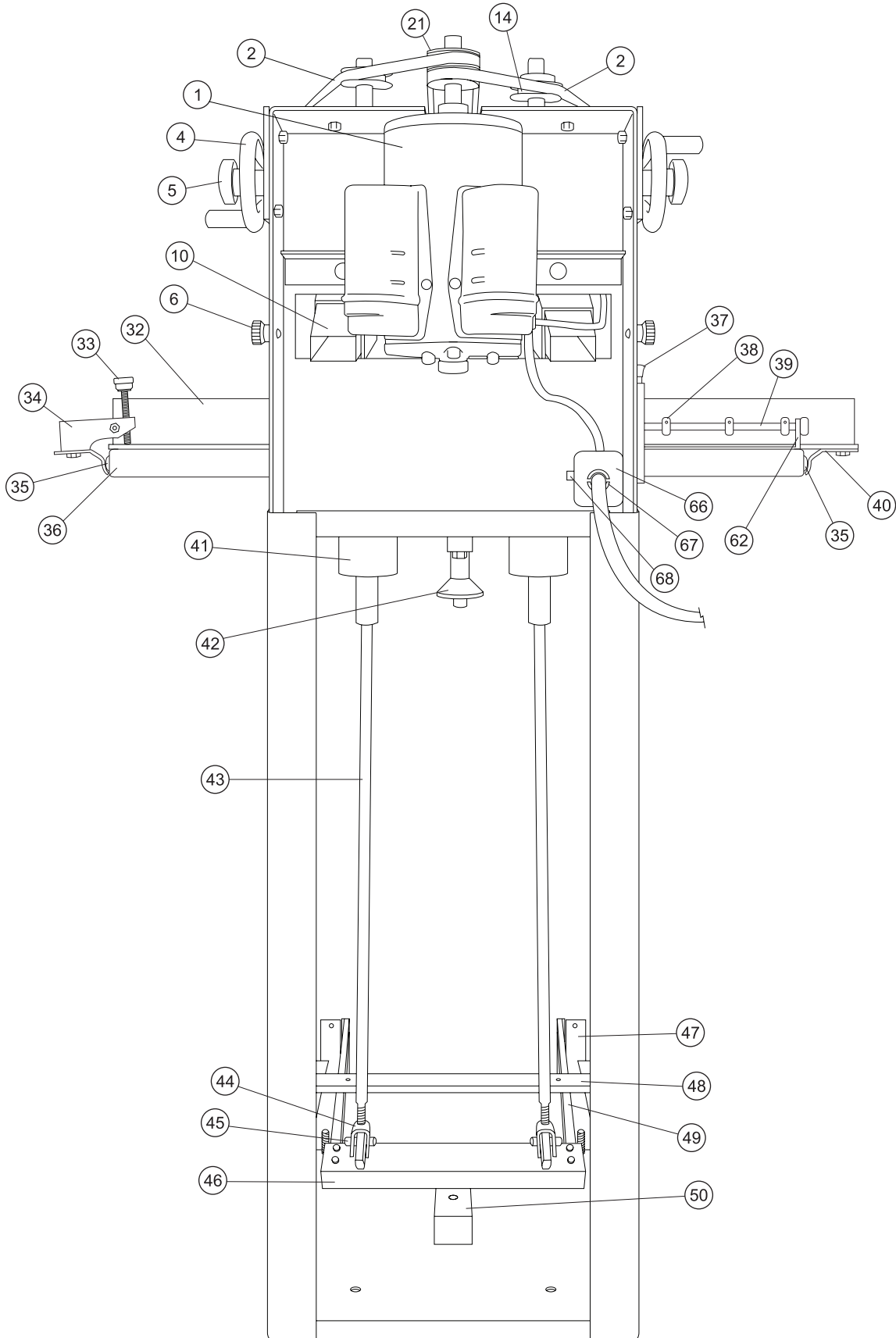
Parts Diagram - Lassco-Wizer FMM-3

Spindle and Chuck Assembly



Parts Diagram - Lassco-Wizer FMM-3

Rear View



Parts Diagram - Lassco-Wizer FMM-3

Parts List

- | | |
|--|--|
| ① FMM9-9534: Motor | ③⑥ FM4-4000: Table |
| ② FMM9-9530: Drive Belt | ③⑦ FM4-401A: Pedestal Stop Assembly |
| ③ N/A | ③⑧ EBM-47: Stop Collar |
| ④ FMM8-8504: Hand Wheel | ③⑨ FM4-4014: Stop Collar Rod |
| ⑤ FMM8-8508: Hand Wheel Lock Knob | ④⑩ FM7-7002: Backgauge Clamping Bracket |
| ⑥ FMM9-9517: Shroud Locking Knob | ④① FM3-3007: Pin Housing |
| ⑦ FMM8-8503: Traverse Lead Screw | ④② FM3-304A: Vertical Table Travel Stop Assembly |
| ⑧ FMM8-8502: Traverse Rods | ④③ FM2-2006: Push Rod |
| ⑨ FMM5-5512: Access Cover | ④④ FM-42: Short Clevis |
| ⑩ FMM5-5506: Housing | ④⑤ 50-31: Clevis Pin |
| ⑪ FMM9-9500: Left Pivot Channel | ④⑥ FM2-201A: Push Rod Angle Assembly |
| ⑫ FMM9-9502: Right Pivot Channel | ④⑦ FM-37: Wear Strip |
| ⑬ Misc: Hollow Drill Bit | ④⑧ FM2-200A: Pivot Bar Assembly |
| ⑭ FMM9-9506: Idler Pulley | ④⑨ FM2-2009: Treadle Bar |
| ⑮ FM6-600A: Pressure Foot Assembly | ⑤⑩ FM1-1006: Wood Stop |
| ⑯ FMM8-8508: Traverse Stop | ⑤① 50-59: Leveling Feet |
| ⑰ FMM9-9516: Cord Set | ⑤② FM1-1000: Stand |
| ⑱ Cam Adjustment Screw (Belt Adjustment) | ⑤③ FM2-2013: Foot Treadle |
| ⑲ Chuck Release Hole | ⑤④ FM3-305A: Vertical Stop Adjustment Assembly |
| ⑳ FMM9-9514: Pulley Bushing | ⑤⑤ FM3-301A: Die Traverse Assembly |
| ㉑ FMM9-9505: Pulley | ⑤⑥ EBM2-1032: Pedestal Support Angle |
| ㉒ 1/4 x 20 x 3/8 Socket Set Screw | ⑤⑦ FM3-3016: Slide Plate Support |
| ㉓ FMM5-5503: Bearing Nut | ⑤⑧ FM3-3015: Slide Plate |
| ㉔ FMM5-5501: Top Bearing | ⑤⑨ FM4-4008: Traverse Channel |
| ㉕ FMM5-5513: Spindle | ⑥⑩ FM5-5006: On/Off Rocker Switch |
| ㉖ FMM5-5502: Bottom Bearing | ⑥① FMM9-952A: Shroud Assembly |
| ㉗ FMH-5517: Insert Retainer Screw | ⑥② FM4-4016: Table Traverse Stop |
| ㉘ FMH-5515: Insert | ⑥③ FM-90: Guard Bracket |
| ㉙ N/A | ⑥④ FM-93: Protective Guard |
| ㉚ N/A | ⑥⑤ FM-95: Access Guard |
| ㉛ FMH-5514: Chuck | ⑥⑥ FM-80: Junction Box |
| ㉜ FM7-70A: Back Gauge Assembly | ⑥⑦ FM-86: Strain Relief |
| ㉝ FM7-7005: Backgauge Knob | ⑥⑧ FM-82: 15 Amp Fuse |
| ㉞ FM7-7003: Clamp Bar | |
| ㉟ FM4-4003: Side Iron | |