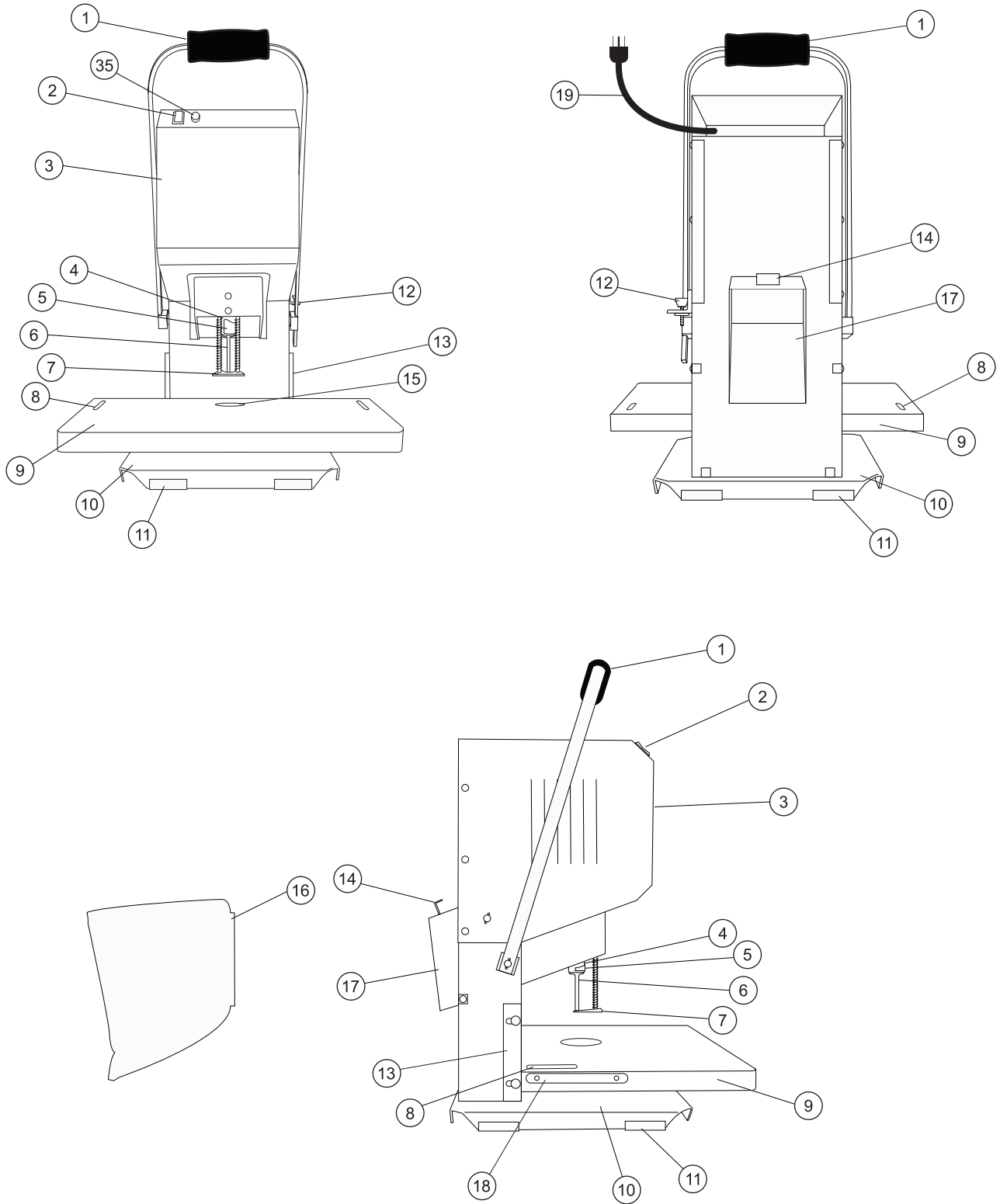


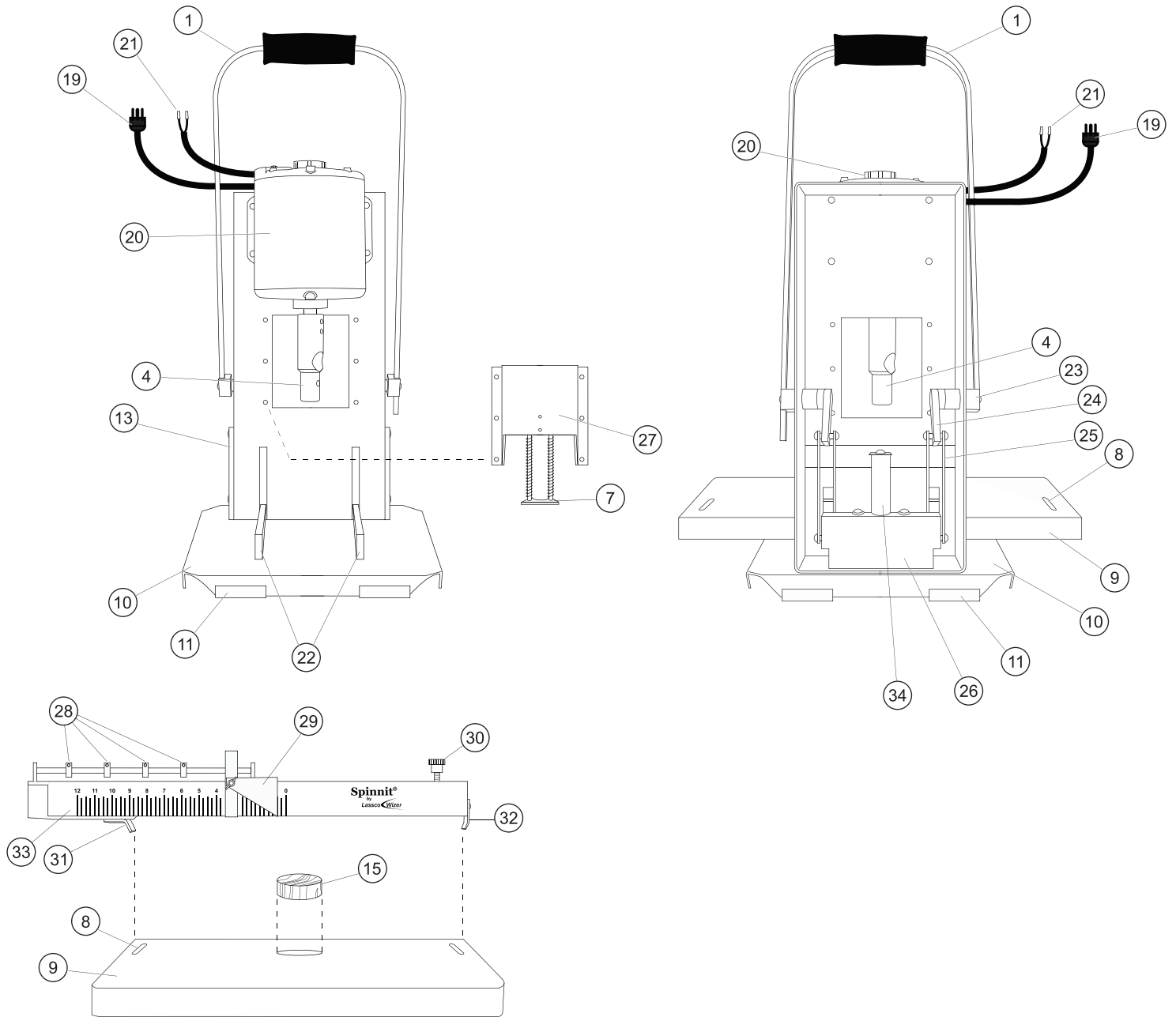
Parts Diagram - Lassco-Wizer EMB-S

Front, Rear, and Side Views



Parts Diagram - Lassco-Wizer EMB-S

Internal Views and Table Assembly



Parts Diagram - Lassco-Wizer EMB-S

Parts List

- ① EZ-108A: Handle Assembly
- ② FM5-5006: Rocker Switch (On/Off)
- ③ EZ-117A: Shroud Assembly
- ④ FM5-5003: Chuck
- ⑤ FM5-5011: Chuck Release Guard
- ⑥ Hollow Drill Bit
- ⑦ EBM2-0111A: Pressure Foot Assembly
- ⑧ 3S-14: Table Scales
- ⑨ EBMS-114A: Table Assembly
- ⑩ EZ-1025: Base
- ⑪ EBM-44A: Channel Guard
- ⑫ EBM-20A: Table Height Adjustment Assembly
- ⑬ EZ-1034: Table Guide
- ⑭ EBM2-1047: Chip Bag Bracket
- ⑮ EBM-10: Drill Block
- ⑯ EBM2-1048: Chip Bag
- ⑰ EBM2-110A: Chip Chute Assembly
- ⑱ FM4-4003: Side Iron
- ⑲ FM5-5008: Power Cord
- ⑳ FM5-5002: 1/4 HP Motor
- ㉑ Wire Harness
- ㉒ EZ-1024: Fork
- ㉓ EBM2-1019: Pivot Hub
- ㉔ EBM2-103A: Pivot Arm Set Assembly
- ㉕ EZ-1026: Lift Bars
- ㉖ EZ-1023: Lift Pin Housing
- ㉗ EBM2-111A: Housing Assembly
- ㉘ EBM-47: Stop Collars
- ㉙ EBMS-800B: Paper Side Stop Assembly
- ㉚ 1/4-20 x 2-1/4" Thumbscrew
- ㉛ EBMS-10: Back Gauge Clamp
- ㉜ EBM-38B: Adjustable Clamp Finger
- ㉝ EBMS-8008: Back Gauge Scale
- ㉞ EBM2-1000: Lift Pin
- ㉟ EBM-82: 6 Amp Fuse