



Distruggidocumenti

Paper Shredders

KOBRA 310TS SS4 E/S Cod.99.860ES
KOBRA 310TS SS5 E/S Cod.99.865ES
KOBRA 310TS CC2 E/S Cod.99.870ES
KOBRA 310TS CC4 E/S Cod.99.875ES
KOBRA 310TS HS E/S Cod.99.880ES
KOBRA 310TS HS-6 E/S Cod.99.885ES

SPARE PART LIST**MODEL:** KOBRA 310TS **ARTICLE NUMBER:** COMMON PARTS 58.432 E/S
SS4 E/S**REF. DRAW:** 01-02-03-06-07-08

| POS. ITEM | CODICE PART NUMBER | DESCRIZIONE | DESIGNATION | QUANTITA' QUANTITY |
|----------------------|-----------------------------------|---------------------------------|-------------------------|-------------------------------|
| 001 | 01.834 | MOBILE | CABINET | 1 |
| 002 | 51.050 | GUIDA | GUIDE | 2 |
| 003 | 01.061 | TELAIO PORTASACCO | BAG FRAME | 1 |
| 004 | 28.032 | PORTASACCO | BAG HOLDER | 1 |
| 005 | 51.300 | SACCHETTO CD/DVD | CD/DVD BAG | 1 |
| 006 | 51.056 | PIASTRINA | HINGE PLATE | 2 |
| 007 | 51.057 | CERNIERA | HINGE | 2 |
| 008 | 53.994 | VITE 3,5x16 | SCREW 3,5x16 | 4 |
| 010 | 51.238 | CRICCHETTO | LOCK | 1 |
| 011 | 53.305 | VITE 2,5x12 | SCREW 2,5x12 | 2 |
| 012 | 51.237 | MANIGLIA | HANDLE | 1 |
| 013 | 51.038 | MAGNETE | MAGNET | 1 |
| 014 | 53.993 | VITE 3,9x9,5 | SCREW 3,9x9,5 | 1 |
| 015 | 53.396 | VITE M4x25 | SCREW M4x25 | 2 |
| 016 | 51.062 | SACCHETTO | BAG | 1 |
| 017 | 32.013 | RUOTE | CASTER | 4 |
| 018 | 53.359 | VITE 4x16 | SCREW 4x16 | 24 |
| 019 | 02.160 | COPERCHIO | PLASTIC COVER | 1 |
| 020 | 02.170 | PANNELLO | PANEL | 1 |
| 022 | 23.036 | INTERRUTTORE | ON / OFF SWITCH | 1 |
| 023 | 02.055 | DIFFUSORE LUMINOSO | LIGHT OPTICAL INDICATOR | 1 |
| 024 | 37.309 | ETICHETTA ENERGY SMART | ENERGY SMART LABEL | 1 |
| 025 | 27.008 | PORTADIODI | SENSOR HOLDER | 3 |
| 026 | 27.071 | DIODO EMETTITORE | EMITTER DIODE | 2 |
| 027 | 27.072 | DIODO RICEVITORE | RECEIVER DIODE | 2 |
| 028 | 24.235 | LED BLU | LED LIGHT | 2 |
| 029 | 51.037 | MOLLETTA | SPRING | 6 |
| 030 | 25.015 | MICROINTERRUTTORE | MICROSWITCH | 1 |
| 031 | 24.233 | CABLAGGIO SACCO PIENO | BAG FULL HARDNESS | 1 |
| 032 | 24.211 | SENSORE MAGNETICO | MAGNETIC SENSOR | 1 |
| 033 | 53.603 | PRESSACAVO | BUSHING | 1 |
| 034 | 53.349 | VITE 4x16 | SCREW 4x16 | 8 |
| 035 | 24.268 | CABLAGGIO SCHEDA PULSANTIERA | PC BOARD HARDNESS | 1 |
| 037 | 27.118 | PULSANTIERA | SWITCH PANEL | 1 |
| 038 | 53.348 | VITE 2,5x6 | SCREW 2,5x6 | 7 |
| 047 | 01.700 | VASCHETTA | BOTTOM COVER | 1 |
| 051 | 04.297 | RULLO | KNIFE | 2 |
| 053 | 08.058 | DISTANZIALE | ROD | 2 |
| 054 | 16.118 | PARATIA | PLATE | 1 |
| 055 | 08.060 | PERNO PARATIA | FLAP HOLDER | 1 |
| 056 | 16.220 | PARATIA SACCO PIENO | BAG FULL FLAP | 1 |
| 057 | 08.070 | PARATIA | PLATE | 1 |
| 058 | 14.202 | PIASTRA DX | RIGHT PLATE | 1 |
| 059 | 14.203 | PIASTRA SX | LEFT PLATE | 1 |
| 060 | 18.010 | PORTACUSCINETTO | BEARING HOLDER | 2 |

SPARE PART LIST**MODEL:** KOBRA 310TS **ARTICLE NUMBER:** COMMON PARTS 58.432 E/S
SS4 E/S**REF. DRAW:** : 01-02-03-06-07-08

| POS. ITEM | CODICE PART NUMBER | DESCRIZIONE | DESIGNATION | QUANTITA' QUANTITY |
|----------------------|-----------------------------------|------------------------|-----------------------|-------------------------------|
| 061 | 19.014 | CUSCINETTO | BEARING | 4 |
| 063 | 10.029 | INGRANAGGIO | GEAR | 1 |
| 064 | 53.415 | LINGUETTA 5x5x16 | KEY 5x5x16 | 4 |
| 065 | 14.023 | DISTANZIALE | ROD | 16 |
| 066 | 11.012 | CORONA Z22 | CHAIN WELL | 2 |
| 067 | 12.009 | PIGNONE z9 | CHAIN WELL | 2 |
| 069 | 13.031 | CATENA 37 PASSI | CHAIN | 1 |
| 071 | 10.083 | INGRANAGGIO | GEAR | 2 |
| 072 | 04.273 | RULLO | KNIFE | 1 |
| 073 | 19.027 | BOCCOLA | BUSHING | 4 |
| 074 | 14.056 | PIASTRA | PLATE | 1 |
| 075 | 53.602 | ANTIVIBRANTE | SHOCK ABSORBER | 2 |
| 076 | 02.145 | PETTINE | STRIPPER | 1 |
| 077 | 02.144 | PETTINE | STRIPPER | 1 |
| 078 | 04.274 | RULLO | KNIFE | 1 |
| 079 | 53.201 | SEEGER DIA 12 | SEEGER DIA 12 | 3 |
| 080 | 53.202 | SEEGER DIA 15 | SEEGER DIA 15 | 4 |
| 081 | 53.200 | SEEGER DIA 10 | SEEGER DIA 10 | 2 |
| 082 | 53.335 | VITE M5x20 | SCREW M5x20 | 9 |
| 083 | 53.143 | RONDELLA DENTELLATA M5 | TOOTHED WASHER M5 | 13 |
| 084 | 53.204 | SEEGER DIA 5 | SEEGER DIA 5 | 2 |
| 085 | 53.142 | RONDELLA DENTELLATA M4 | TOOTHED WASHER M4 | 18 |
| 086 | 53.702 | DADO M4 | EXAGON NUTM4 | 8 |
| 087 | 53.331 | VITE M4x10 | SCREW M4x10 | 12 |
| 088 | 53.182 | RONDELLA M4 | WASHER M4 | 6 |
| 089 | 53.144 | RONDELLA DENTELLATA M6 | TOOTHED WASHER M6 | 4 |
| 090 | 53.704 | DADO M4 | EXAGON NUTM6 | 4 |
| 091 | 06.052 | PETTINE | STRIPPER | 1 |
| 092 | 06.052 | PETTINE | STRIPPER | 1 |
| 101 | 13.005 | CATENA 47 PASSI | CHAIN | 1 |
| 125 | 25.045 | TASTO INTERRUETTORE | SWITCH COVER | 1 |
| 130 | 29.065 | SCATOLA CARTONE | CARTON BOX | 1 |
| 131 | 30.030 | FONDO POLISTIROLO | STYROFOAM BOTTOM | 1 |
| 132 | 30.031 | ANGOLARE | CORNER | 4 |
| 133 | 29.068 | CARTONE | CARTON | 1 |
| 134 | 30.032 | COPERCHIO POLISTIROLO | STYROFOAM COVER | 1 |
| 135 | 29.066 | SCATOLA CARTONE | CARTON BOX | 1 |
| 136 | 30.026 | SET POLISTIROLO | STYROFOAM SET | 1 |
| 139 | 60.063 | ISTRUZIONI | OPERATING INSTRUCTION | 1 |
| 140 | 60.004 | DICHIARAZIONE CE | | 1 |
| 141 | 60.001 | GARANZIA | WARRANTY CARD | 1 |
| 142 | 51.062 | SACCHETTO | BAG | 1 |

SPARE PART LIST**MODEL:** KOBRA 310TS **ARTICLE NUMBER:** 58.462E/S 230V-50Hz SUPPLY(EUROPA)
SS4 E/S**REF. DRAW:** 02-03

| POS. ITEM | CODICE PART NUMBER | DESCRIZIONE | DESIGNATION | QUANTITA' QUANTITY |
|----------------------|-----------------------------------|--------------------|--------------------|-------------------------------|
| 036 | 27.117/230 | SCHEDA ELETTRONICA | PC BOARD | 1 |
| 049 | 24.001 | CAVO | POWER CORD | 1 |
| 050 | 22.003 | CONDENSATORE 8mF | CAPACITOR 8Mf | 2 |
| 052 | 07.090 | MOTORIDUTTORE | GEAR MOTOR | 2 |

SPARE PART LIST**MODEL:** KOBRA 310TS **ARTICLE NUMBER:** 58.512E/S 115V-60Hz SUPPLY(USA/CANADA)
SS4 E/S**REF. DRAW:** 02-03

| POS. ITEM | CODICE PART NUMBER | DESCRIZIONE | DESIGNATION | QUANTITA' QUANTITY |
|----------------------|-----------------------------------|--------------------|--------------------|-------------------------------|
| 036 | 27.117/115 | SCHEDA ELETTRONICA | PC BOARD | 1 |
| 049 | 24.006 | CAVO | POWER CORD | 1 |
| 050 | 22.005 | CONDENSATORE 30mF | CAPACITOR 30mF | 2 |
| 052 | 07.091 | MOTORIDUTTORE | GEAR MOTOR | 2 |

SPARE PART LIST**MODEL:** KOBRA 310TS **ARTICLE NUMBER:** 58.562E/S 110V-60Hz SUPPLY(TAIWAN/BRASIL)
SS4 E/S**REF. DRAW:** 02-03

| POS. ITEM | CODICE PART NUMBER | DESCRIZIONE | DESIGNATION | QUANTITA' QUANTITY |
|----------------------|-----------------------------------|--------------------|--------------------|-------------------------------|
| 036 | 27.117/115 | SCHEDA ELETTRONICA | PC BOARD | 1 |
| 049 | 24.006 | CAVO | POWER CORD | 1 |
| 050 | 22.005 | CONDENSATORE 30mF | CAPACITOR 30mF | 2 |
| 052 | 07.091 | MOTORIDUTTORE | GEAR MOTOR | 2 |

SPARE PART LIST**MODEL:** KOBRA 310TS **ARTICLE NUMBER:** 58.612E/S 100V-50/60Hz SUPPLY(JAPAN)
SS4 E/S**REF. DRAW:** 02-03

| POS. ITEM | CODICE PART NUMBER | DESCRIZIONE | DESIGNATION | QUANTITA' QUANTITY |
|----------------------|-----------------------------------|--------------------|--------------------|-------------------------------|
| 036 | 27.117/115 | SCHEDA ELETTRONICA | PC BOARD | 1 |
| 049 | 24.010 | CAVO | POWER CORD | 1 |
| 050 | 22.002 | CONDENSATORE 35mF | CAPACITOR 35Mf | 2 |
| 052 | 07.091 | MOTORIDUTTORE | GEAR MOTOR | 2 |

SPARE PART LIST**MODEL:** KOBRA 310TS **ARTICLE NUMBER:** 58.662E/S 230V-50Hz SUPPLY(ISRAEL)
SS4 E/S**REF. DRAW:** 02-03

| POS. ITEM | CODICE PART NUMBER | DESCRIZIONE | DESIGNATION | QUANTITA' QUANTITY |
|----------------------|-----------------------------------|--------------------|--------------------|-------------------------------|
| 036 | 27.117/230 | SCHEDA ELETTRONICA | PC BOARD | 1 |
| 049 | 24.052 | CAVO | POWER CORD | 1 |
| 050 | 22.003 | CONDENSATORE 8mF | CAPACITOR 8Mf | 2 |
| 052 | 07.090 | MOTORIDUTTORE | GEAR MOTOR | 2 |

SPARE PART LIST**MODEL:** KOBRA 310TS **ARTICLE NUMBER:** 58.712E/S 230V-50Hz SUPPLY(HK/BAHRAIN)
SS4 E/S**REF. DRAW:** 02-03

| POS. ITEM | CODICE PART NUMBER | DESCRIZIONE | DESIGNATION | QUANTITA' QUANTITY |
|----------------------|-----------------------------------|--------------------|--------------------|-------------------------------|
| 036 | 27.117/230 | SCHEDA ELETTRONICA | PC BOARD | 1 |
| 049 | 24.055 | CAVO | POWER CORD | 1 |
| 050 | 22.003 | CONDENSATORE 8mF | CAPACITOR 8Mf | 2 |
| 052 | 07.090 | MOTORIDUTTORE | GEAR MOTOR | 2 |

SPARE PART LIST**MODEL:** KOBRA 310TS **ARTICLE NUMBER:** 58.762E/S 240V-50Hz SUPPLY(UK/MALESIA)
SS4 E/S**REF. DRAW:** 02-03

| POS. ITEM | CODICE PART NUMBER | DESCRIZIONE | DESIGNATION | QUANTITA' QUANTITY |
|----------------------|-----------------------------------|-------------------------|--------------------|-------------------------------|
| 036 | 27.117/230 | SCHEDA ELETTRONICA/230V | PC BOARD | 1 |
| 049 | 24.055 | CAVO | POWER CORD | 1 |
| 050 | 22.007 | CONDENSATORE 4mF | CAPACITOR 4Mf | 2 |
| 052 | 07.090 | MOTORIDUTTORE | GEAR MOTOR | 2 |

SPARE PART LIST**MODEL:** KOBRA 310TS **ARTICLE NUMBER:** 58.812E/S 240V-50Hz SUPPLY(AUSTRALIA)
SS4 E/S**REF. DRAW:** 02-03

| POS. ITEM | CODICE PART NUMBER | DESCRIZIONE | DESIGNATION | QUANTITA' QUANTITY |
|----------------------|-----------------------------------|--------------------|--------------------|-------------------------------|
| 036 | 27.117/230 | SCHEDA ELETTRONICA | PC BOARD | 1 |
| 049 | 24.009 | CAVO | POWER CORD | 1 |
| 050 | 22.007 | CONDENSATORE 4mF | CAPACITOR 4Mf | 2 |
| 052 | 07.090 | MOTORIDUTTORE | GEAR MOTOR | 2 |

SPARE PART LIST**MODEL:** KOBRA 310TS **ARTICLE NUMBER:** 58.862E/S 240V-50Hz SUPPLY(INDIA)
SS4 E/S**REF. DRAW:** 02-03

| POS. ITEM | CODICE PART NUMBER | DESCRIZIONE | DESIGNATION | QUANTITA' QUANTITY |
|----------------------|-----------------------------------|--------------------|--------------------|-------------------------------|
| 036 | 27.117/230 | SCHEDA ELETTRONICA | PC BOARD | 1 |
| 049 | 24.001 | CAVO | POWER CORD | 1 |
| 050 | 22.007 | CONDENSATORE 4mF | CAPACITOR 4Mf | 2 |
| 052 | 07.090 | MOTORIDUTTORE | GEAR MOTOR | 2 |

SPARE PART LIST**MODEL:** KOBRA 310TS **ARTICLE NUMBER:** 58.912E/S 220V-50Hz SUPPLY(BZ/ARABIA/PH)
SS4 E/S**REF. DRAW:** 02-03

| POS. ITEM | CODICE PART NUMBER | DESCRIZIONE | DESIGNATION | QUANTITA' QUANTITY |
|----------------------|-----------------------------------|--------------------|--------------------|-------------------------------|
| 036 | 27.117/230 | SCHEDA ELETTRONICA | PC BOARD | 1 |
| 049 | 24.006 | CAVO | POWER CORD | 1 |
| 050 | 22.003 | CONDENSATORE 8mF | CAPACITOR 8Mf | 2 |
| 052 | 07.090 | MOTORIDUTTORE | GEAR MOTOR | 2 |

SPARE PART LIST**MODEL:** KOBRA 310TS **ARTICLE NUMBER:** COMMON PARTS 58.433E/S
SS5 E/S**REF. DRAW:** 01-02-03/A-06-07-08

| POS. ITEM | CODICE PART NUMBER | DESCRIZIONE | DESIGNATION | QUANTITA' QUANTITY |
|----------------------|-----------------------------------|---------------------------------|-------------------------|-------------------------------|
| 001 | 01.834 | MOBILE | CABINET | 1 |
| 002 | 51.050 | GUIDA | GUIDE | 2 |
| 003 | 01.061 | TELAIO PORTASACCO | BAG FRAME | 1 |
| 004 | 28.032 | PORTASACCO | BAG HOLDER | 1 |
| 005 | 51.300 | SACCHETTO CD/DVD | CD/DVD BAG | 1 |
| 006 | 51.056 | PIASTRINA | HINGE PLATE | 2 |
| 007 | 51.057 | CERNIERA | HINGE | 2 |
| 008 | 53.994 | VITE 3,5x16 | SCREW 3,5x16 | 4 |
| 010 | 51.238 | CRICCHETTO | LOCK | 1 |
| 011 | 53.305 | VITE 2,5x12 | SCREW 2,5x12 | 2 |
| 012 | 51.237 | MANIGLIA | HANDLE | 1 |
| 013 | 51.038 | MAGNETE | MAGNET | 1 |
| 014 | 53.993 | VITE 3,9x9,5 | SCREW 3,9x9,5 | 1 |
| 015 | 53.396 | VITE M4x25 | SCREW M4x25 | 2 |
| 016 | 51.062 | SACCHETTO | BAG | 1 |
| 017 | 32.013 | RUOTE | CASTER | 4 |
| 018 | 53.359 | VITE 4x16 | SCREW 4x16 | 24 |
| 019 | 02.160 | COPERCHIO | PLASTIC COVER | 1 |
| 020 | 02.170 | PANNELLO | PANEL | 1 |
| 022 | 23.036 | INTERRUTTORE | ON / OFF SWITCH | 1 |
| 023 | 02.055 | DIFFUSORE LUMINOSO | LIGHT OPTICAL INDICATOR | 1 |
| 024 | 37.309 | ETICHETTA ENERGY SMART | ENERGY SMART LABEL | 1 |
| 025 | 27.008 | PORTADIODI | SENSOR HOLDER | 3 |
| 026 | 27.071 | DIODO EMETTITORE | EMITTER DIODE | 2 |
| 027 | 27.072 | DIODO RICEVITORE | RECEIVER DIODE | 2 |
| 028 | 24.235 | LED BLU | LED LIGHT | 2 |
| 029 | 51.037 | MOLLETTA | SPRING | 6 |
| 030 | 25.015 | MICROINTERRUTTORE | MICROSWITCH | 1 |
| 031 | 24.233 | CABLAGGIO SACCO PIENO | BAG FULL HARDNESS | 1 |
| 032 | 24.211 | SENSORE MAGNETICO | MAGNETIC SENSOR | 1 |
| 033 | 53.603 | PRESSACAVO | BUSHING | 1 |
| 034 | 53.349 | VITE 4x16 | SCREW 4x16 | 8 |
| 035 | 24.268 | CABLAGGIO SCHEDA PULSANTIERA | PC BOARD HARDNESS | 1 |
| 037 | 27.118 | PULSANTIERA | SWITCH PANEL | 1 |
| 038 | 53.348 | VITE 2,5x6 | SCREW 2,5x6 | 7 |
| 047 | 01.700 | VASCHETTA | BOTTOM COVER | 1 |
| 051 | 04.299 | RULLO | KNIFE | 2 |
| 053 | 08.058 | DISTANZIALE | ROD | 2 |
| 054 | 16.118 | PARATIA | PLATE | 1 |
| 055 | 08.060 | PERNO PARATIA | FLAP HOLDER | 1 |
| 056 | 16.220 | PARATIA SACCO PIENO | BAG FULL FLAP | 1 |
| 057 | 08.070 | PARATIA | PLATE | 1 |
| 058 | 14.202 | PIASTRA DX | RIGHT PLATE | 1 |
| 059 | 14.203 | PIASTRA SX | LEFT PLATE | 1 |
| 060 | 18.010 | PORTACUSCINETTO | BEARING HOLDER | 2 |

SPARE PART LIST**MODEL:** KOBRA 310TS **ARTICLE NUMBER:** COMMON PARTS 58.433 E/S
SS5 E/S**REF. DRAW:** : 01-02-03/A-06-07-08

| POS. ITEM | CODICE PART NUMBER | DESCRIZIONE | DESIGNATION | QUANTITA' QUANTITY |
|----------------------|-----------------------------------|------------------------|-----------------------|-------------------------------|
| 061 | 19.014 | CUSCINETTO | BEARING | 4 |
| 063 | 10.029 | INGRANAGGIO | GEAR | 1 |
| 064 | 53.415 | LINGUETTA 5x5x16 | KEY 5x5x16 | 4 |
| 065 | 14.023 | DISTANZIALE | ROD | 12 |
| 066 | 11.012 | CORONA Z22 | CHAIN WELL | 2 |
| 067 | 12.009 | PIGNONE z9 | CHAIN WELL | 2 |
| 069 | 13.031 | CATENA 37 PASSI | CHAIN | 1 |
| 071 | 10.083 | INGRANAGGIO | GEAR | 2 |
| 072 | 04.273 | RULLO | KNIFE | 1 |
| 073 | 19.027 | BOCCOLA | BUSHING | 4 |
| 074 | 14.056 | PIASTRA | PLATE | 1 |
| 075 | 53.602 | ANTIVIBRANTE | SHOCK ABSORBER | 2 |
| 076 | 02.145 | PETTINE | STRIPPER | 1 |
| 077 | 02.144 | PETTINE | STRIPPER | 1 |
| 078 | 04.274 | RULLO | KNIFE | 1 |
| 079 | 53.201 | SEEGER DIA 12 | SEEGER DIA 12 | 3 |
| 080 | 53.202 | SEEGER DIA 15 | SEEGER DIA 15 | 4 |
| 081 | 53.200 | SEEGER DIA 10 | SEEGER DIA 10 | 2 |
| 082 | 53.335 | VITE M5x20 | SCREW M5x20 | 9 |
| 083 | 53.143 | RONDELLA DENTELLATA M5 | TOOTHED WASHER M5 | 13 |
| 084 | 53.204 | SEEGER DIA 5 | SEEGER DIA 5 | 2 |
| 085 | 53.142 | RONDELLA DENTELLATA M4 | TOOTHED WASHER M4 | 18 |
| 086 | 53.702 | DADO M4 | EXAGON NUTM4 | 8 |
| 087 | 53.331 | VITE M4x10 | SCREW M4x10 | 12 |
| 088 | 53.182 | RONDELLA M4 | WASHER M4 | 6 |
| 089 | 53.144 | RONDELLA DENTELLATA M6 | TOOTHED WASHER M6 | 4 |
| 090 | 53.704 | DADO M4 | EXAGON NUTM6 | 4 |
| 091 | 06.044 | PETTINE | STRIPPER | 1 |
| 092 | 06.045 | PETTINE | STRIPPER | 1 |
| 101 | 13.005 | CATENA 47 PASSI | CHAIN | 1 |
| 125 | 25.045 | TASTO INTERRUTTORE | SWITCH COVER | 1 |
| 130 | 29.065 | SCATOLA CARTONE | CARTON BOX | 1 |
| 131 | 30.030 | FONDO POLISTIROLO | STYROFOAM BOTTOM | 1 |
| 132 | 30.031 | ANGOLARE | CORNER | 4 |
| 133 | 29.068 | CARTONE | CARTON | 1 |
| 134 | 30.032 | COPERCHIO POLISTIROLO | STYROFOAM COVER | 1 |
| 135 | 29.066 | SCATOLA CARTONE | CARTON BOX | 1 |
| 136 | 30.026 | SET POLISTIROLO | STYROFOAM SET | 1 |
| 139 | 60.063 | ISTRUZIONI | OPERATING INSTRUCTION | 1 |
| 140 | 60.004 | DICHIARAZIONE CE | | 1 |
| 141 | 60.001 | GARANZIA | WARRANTY CARD | 1 |
| 142 | 51.062 | SACCHETTO | BAG | 1 |

SPARE PART LIST**MODEL:** KOBRA 310TS **ARTICLE NUMBER:** 58.463 E/S 230V-50Hz SUPPLY(EUROPA)
SS5 E/S**REF. DRAW:** 02-03/A

| POS. ITEM | CODICE PART NUMBER | DESCRIZIONE | DESIGNATION | QUANTITA' QUANTITY |
|----------------------|-----------------------------------|--------------------|--------------------|-------------------------------|
| 036 | 27.117/230 | SCHEDA ELETTRONICA | PC BOARD | 1 |
| 049 | 24.001 | CAVO | POWER CORD | 1 |
| 050 | 22.003 | CONDENSATORE 8mF | CAPACITOR 8Mf | 2 |
| 052 | 07.090 | MOTORIDUTTORE | GEAR MOTOR | 2 |

SPARE PART LIST**MODEL:** KOBRA 310TS **ARTICLE NUMBER:** 58.513 E/S 115V-60Hz SUPPLY(USA/CANADA)
SS5 E/S**REF. DRAW:** 02-03/A

| POS. ITEM | CODICE PART NUMBER | DESCRIZIONE | DESIGNATION | QUANTITA' QUANTITY |
|----------------------|-----------------------------------|--------------------|--------------------|-------------------------------|
| 036 | 27.117/115 | SCHEDA ELETTRONICA | PC BOARD | 1 |
| 049 | 24.006 | CAVO | POWER CORD | 1 |
| 050 | 22.005 | CONDENSATORE 30mF | CAPACITOR 30mF | 2 |
| 052 | 07.091 | MOTORIDUTTORE | GEAR MOTOR | 2 |

SPARE PART LIST**MODEL:** KOBRA 310TS **ARTICLE NUMBER:** 58.563 E/S 110V-60Hz SUPPLY(TAIWAN/BRASIL)
SS5 E/S**REF. DRAW:** 02-03/A

| POS. ITEM | CODICE PART NUMBER | DESCRIZIONE | DESIGNATION | QUANTITA' QUANTITY |
|----------------------|-----------------------------------|--------------------|--------------------|-------------------------------|
| 036 | 27.117/115 | SCHEDA ELETTRONICA | PC BOARD | 1 |
| 049 | 24.006 | CAVO | POWER CORD | 1 |
| 050 | 22.005 | CONDENSATORE 30mF | CAPACITOR 30mF | 2 |
| 052 | 07.091 | MOTORIDUTTORE | GEAR MOTOR | 2 |

SPARE PART LIST**MODEL:** KOBRA 310TS **ARTICLE NUMBER:** 58.613 E/S 100V-50/60Hz SUPPLY(JAPAN)
SS5 E/S**REF. DRAW:** 02-03/A

| POS. ITEM | CODICE PART NUMBER | DESCRIZIONE | DESIGNATION | QUANTITA' QUANTITY |
|----------------------|-----------------------------------|--------------------|--------------------|-------------------------------|
| 036 | 27.117/115 | SCHEDA ELETTRONICA | PC BOARD | 1 |
| 049 | 24.010 | CAVO | POWER CORD | 1 |
| 050 | 22.002 | CONDENSATORE 35mF | CAPACITOR 35Mf | 2 |
| 052 | 07.091 | MOTORIDUTTORE | GEAR MOTOR | 2 |

SPARE PART LIST**MODEL:** KOBRA 310TS **ARTICLE NUMBER:** 58.663 E/S 230V-50Hz SUPPLY(ISRAEL)
SS5 E/S**REF. DRAW:** 02-03/A

| POS. ITEM | CODICE PART NUMBER | DESCRIZIONE | DESIGNATION | QUANTITA' QUANTITY |
|----------------------|-----------------------------------|--------------------|--------------------|-------------------------------|
| 036 | 27.117/230 | SCHEDA ELETTRONICA | PC BOARD | 1 |
| 049 | 24.052 | CAVO | POWER CORD | 1 |
| 050 | 22.003 | CONDENSATORE 8mF | CAPACITOR 8Mf | 2 |
| 052 | 07.090 | MOTORIDUTTORE | GEAR MOTOR | 2 |

SPARE PART LIST**MODEL:** KOBRA 310TS **ARTICLE NUMBER:** 58.713 E/S 230V-50Hz SUPPLY(HK/BAHRAIN)
SS5 E/S**REF. DRAW:** 02-03/A

| POS. ITEM | CODICE PART NUMBER | DESCRIZIONE | DESIGNATION | QUANTITA' QUANTITY |
|----------------------|-----------------------------------|--------------------|--------------------|-------------------------------|
| 036 | 27.117/230 | SCHEDA ELETTRONICA | PC BOARD | 1 |
| 049 | 24.055 | CAVO | POWER CORD | 1 |
| 050 | 22.003 | CONDENSATORE 8mF | CAPACITOR 8Mf | 2 |
| 052 | 07.090 | MOTORIDUTTORE | GEAR MOTOR | 2 |

SPARE PART LIST**MODEL:** KOBRA 310TS **ARTICLE NUMBER:** 58.763 E/S 240V-50Hz SUPPLY(UK/MALESIA)
SS5 E/S**REF. DRAW:** 02-03/A

| POS. ITEM | CODICE PART NUMBER | DESCRIZIONE | DESIGNATION | QUANTITA' QUANTITY |
|----------------------|-----------------------------------|-------------------------|--------------------|-------------------------------|
| 036 | 27.117/230 | SCHEDA ELETTRONICA/230V | PC BOARD | 1 |
| 049 | 24.055 | CAVO | POWER CORD | 1 |
| 050 | 22.007 | CONDENSATORE 4mF | CAPACITOR 4Mf | 2 |
| 052 | 07.090 | MOTORIDUTTORE | GEAR MOTOR | 2 |

SPARE PART LIST**MODEL:** KOBRA 310TS **ARTICLE NUMBER:** 58.813 E/S 240V-50Hz SUPPLY(AUSTRALIA)
SS5 E/S**REF. DRAW:** 02-03/A

| POS. ITEM | CODICE PART NUMBER | DESCRIZIONE | DESIGNATION | QUANTITA' QUANTITY |
|----------------------|-----------------------------------|--------------------|--------------------|-------------------------------|
| 036 | 27.117/230 | SCHEDA ELETTRONICA | PC BOARD | 1 |
| 049 | 24.009 | CAVO | POWER CORD | 1 |
| 050 | 22.007 | CONDENSATORE 4mF | CAPACITOR 4Mf | 2 |
| 052 | 07.090 | MOTORIDUTTORE | GEAR MOTOR | 2 |

SPARE PART LIST**MODEL:** KOBRA 310TS **ARTICLE NUMBER:** 58.863 E/S 240V-50Hz SUPPLY(INDIA)
SS5 E/S**REF. DRAW:** 02-03/A

| POS. ITEM | CODICE PART NUMBER | DESCRIZIONE | DESIGNATION | QUANTITA' QUANTITY |
|----------------------|-----------------------------------|--------------------|--------------------|-------------------------------|
| 036 | 27.117/230 | SCHEDA ELETTRONICA | PC BOARD | 1 |
| 049 | 24.001 | CAVO | POWER CORD | 1 |
| 050 | 22.007 | CONDENSATORE 4mF | CAPACITOR 4Mf | 2 |
| 052 | 07.090 | MOTORIDUTTORE | GEAR MOTOR | 2 |

SPARE PART LIST**MODEL:** KOBRA 310TS **ARTICLE NUMBER:** 58.913 E/S 220V-50Hz SUPPLY(BZ/ARABIA/PH)
SS5 E/S**REF. DRAW:** 02-03/A

| POS. ITEM | CODICE PART NUMBER | DESCRIZIONE | DESIGNATION | QUANTITA' QUANTITY |
|----------------------|-----------------------------------|--------------------|--------------------|-------------------------------|
| 036 | 27.117/230 | SCHEDA ELETTRONICA | PC BOARD | 1 |
| 049 | 24.006 | CAVO | POWER CORD | 1 |
| 050 | 22.003 | CONDENSATORE 8mF | CAPACITOR 8Mf | 2 |
| 052 | 07.090 | MOTORIDUTTORE | GEAR MOTOR | 2 |

SPARE PART LIST

MODEL: KOBRA 310TS **ARTICLE NUMBER:** COMMON PARTS 58.434 E/S
CC2 E/S

REF. DRAW: 01-02-04-06-07-08-10-13

| POS. ITEM | CODICE PART NUMBER | DESCRIZIONE | DESIGNATION | QUANTITA' QUANTITY |
|----------------------|-----------------------------------|---------------------------------|-------------------------|-------------------------------|
| 001 | 01.834 | MOBILE | CABINET | 1 |
| 002 | 51.050 | GUIDA | GUIDE | 2 |
| 003 | 01.061 | TELAIO PORTASACCO | BAG FRAME | 1 |
| 004 | 28.032 | PORTASACCO | BAG HOLDER | 1 |
| 005 | 51.300 | SACCHETTO CD/DVD | CD/DVD BAG | 1 |
| 006 | 51.056 | PIASTRINA | HINGE PLATE | 2 |
| 007 | 51.057 | CERNIERA | HINGE | 2 |
| 008 | 53.994 | VITE 3,5x16 | SCREW 3,5x16 | 4 |
| 010 | 51.238 | CRICCHETTO | LOCK | 1 |
| 011 | 53.305 | VITE 2,5x12 | SCREW 2,5x12 | 2 |
| 012 | 51.237 | MANIGLIA | HANDLE | 1 |
| 013 | 51.038 | MAGNETE | MAGNET | 1 |
| 014 | 53.993 | VITE 3,9x9,5 | SCREW 3,9x9,5 | 1 |
| 015 | 53.396 | VITE M4x25 | SCREW M4x25 | 2 |
| 016 | 51.062 | SACCHETTO | BAG | 1 |
| 017 | 32.013 | RUOTE | CASTER | 4 |
| 018 | 53.359 | VITE 4x16 | SCREW 4x16 | 24 |
| 019 | 02.160 | COPERCHIO | PLASTIC COVER | 1 |
| 020 | 02.170 | PANNELLO | PANEL | 1 |
| 021 | 16.230 | SUPPORTO SCHEDA METAL | PC BOARD HOLDER | 1 |
| 022 | 23.036 | INTERRUTTORE | ON / OFF SWITCH | 1 |
| 023 | 02.055 | DIFFUSORE LUMINOSO | LIGHT OPTICAL INDICATOR | 1 |
| 024 | 37.309 | ETICHETTA ENERGY SMART | ENERGY SMART LABEL | 1 |
| 025 | 27.008 | PORTADIODI | SENSOR HOLDER | 3 |
| 026 | 27.071 | DIODO EMETTITORE | EMITTER DIODE | 2 |
| 027 | 27.072 | DIODO RICEVITORE | RECEIVER DIODE | 2 |
| 028 | 24.235 | LED BLU | LED LIGHT | 2 |
| 029 | 51.037 | MOLLETTA | SPRING | 6 |
| 030 | 25.015 | MICROINTERRUTTORE | MICROSWITCH | 1 |
| 031 | 24.233 | CABLAGGIO SACCO PIENO | BAG FULL HARDNESS | 1 |
| 032 | 24.211 | SENSORE MAGNETICO | MAGNETIC SENSOR | 1 |
| 033 | 53.603 | PRESSACAVO | BUSHING | 1 |
| 034 | 53.349 | VITE 4x16 | SCREW 4x16 | 8 |
| 035 | 24.268 | CABLAGGIO SCHEDA PULSANTIERA | PC BOARD HARDNESS | 1 |
| 037 | 27.118 | PULSANTIERA | SWITCH PANEL | 1 |
| 038 | 53.348 | VITE 2,5x6 | SCREW 2,5x6 | 7 |
| 041 | 53.328 | VITE 4x10 | SCREW 4x10 | 2 |
| 042 | 27.115 | METALDETECTOR | METALDETECTOR | 1 |
| 043 | 16.211/V | CONTENITORE OLIO | OIL BOTTLE HOLDER | 1 |
| 044 | 53.306 | VITE 2,9x13 | SCREW 2,9x13 | 3 |
| 045 | 51.085 | OLIO 1000cc | SHREDDER OIL | 1 |
| 046 | 51.084 | TAPPO | CAP | 1 |
| 047 | 01.700 | VASCHETTA | BOTTON COVER | 1 |
| 048 | 53.360 | VITE M3x13 | SCREW M3x13 | 4 |
| 051 | 04.301 | COLTELLO | KNIFE | 1 |
| 052 | 04.303 | COLTELLO | KNIFE | 1 |
| 053 | 06.043 | PETTINE | STRIPPER | 150 |
| 054 | 16.121 | PARATIA | PLATE | 1 |
| 055 | 08.060 | PERNO PARATIA | FLAP HOLDER | 1 |
| 056 | 16.220 | PARATIA SACCO PIENO | BAG FULL FLAP | 1 |
| 057 | 08.070 | PARATIA | PLATE | 1 |
| 058 | 14.200 | PIASTRA DX | RIGHT PLATE | 1 |
| 059 | 14.201 | PIASTRA SX | LEFT PLATE | 1 |

SPARE PART LIST**MODEL:** KOBRA 310TS **ARTICLE NUMBER:** COMMON PARTS 58.434 E/S
CC2 E/S**REF. DRAW:** 01-02-04-06-07-08-10-13

| POS. ITEM | CODICE PART NUMBER | DESCRIZIONE | DESIGNATION | QUANTITA' QUANTITY |
|----------------------|-----------------------------------|------------------------|--------------------|-------------------------------|
| 060 | 18.019 | PORTACUSCINETTO | BEARING HOLDER | 2 |
| 061 | 19.014 | CUSCINETTO 6002.2ZR | BEARING 6002.2ZR | 4 |
| 062 | 10.026 | INGRANAGGIO | GEAR | 2 |
| 063 | 10.029 | INGRANAGGIO | GEAR | 1 |
| 064 | 53.415 | LINGUETTA 5x5x16 | KEY 5x5x16 | 5 |
| 065 | 14.023 | DISTANZIALE | ROD | 12 |
| 066 | 11.012 | CORONA Z22 | CHAIN WELL | 2 |
| 067 | 12.009 | PIGNONE z9 | CHAIN WELL | 2 |
| 068 | 08.065 | DISTANZIALE | ROD | 2 |
| 069 | 08.066 | DISTANZIALE | ROD | 2 |
| 070 | 16.228 | PARATIA | PLATE | 2 |
| 071 | 53.200 | SEEGER DIA 10 | LOCKING RING | 2 |
| 072 | 53.202 | SEEGER DIA 15 | LOCKING RING | 11 |
| 073 | 53.203 | SEEGER DIA 22 | LOCKING RING | 4 |
| 075 | 04.273 | RULLO | KNIFE | 1 |
| 076 | 04.274 | RULLO | KNIFE | 1 |
| 077 | 19.027 | BOCCOLA | BUSHING | 4 |
| 078 | 14.056 | PIASTRA | PLATE | 1 |
| 079 | 53.602 | ANTIVIBRANTE | SHOCK ABSORBER | 2 |
| 080 | 53.201 | SEEGER DIA 12 | LOCKING RING | 4 |
| 081 | 02.145 | PETTINE | STRIPPER | 1 |
| 082 | 02.144 | PETTINE | STRIPPER | 1 |
| 083 | 10.083 | INGRANAGGIO | GEAR | 2 |
| 084 | 10.079 | INGRANAGGIO | GEAR | 1 |
| 085 | 10.084 | INGRANAGGIO | GEAR | 1 |
| 086 | 17.211 | ALBERO | SHAFT | 1 |
| 088 | 53.331 | VITE M4x10 | SCREW M4x10 | 18 |
| 089 | 53.142 | RONDELLA DENTELLATA M4 | TOOTHED WASHER M4 | 18 |
| 092 | 53.901 | VITE M8x20 | SCREW M8x20 | 1 |
| 093 | 53.146 | RONDELLA DENTELLATA M8 | TOOTHED WASHER M8 | 1 |
| 094 | 53.185 | RONDELLA M8 | WASHER M8 | 1 |
| 095 | 53.345 | VITE M5x25 | SCREW M5x25 | 5 |
| 096 | 53.143 | RONDELLA DENTELLATA M5 | TOOTHED WASHER M5 | 21 |
| 099 | 53.332 | VITE M5x12 | SCREW M5x12 | 12 |
| 102 | 53.702 | DADO M4 | EXAGON NUT M4 | 14 |
| 103 | 13.031 | CATENA 37 PASSI | CHAIN | 1 |
| 104 | 53.204 | SEEGER DIA 5 | LOCKING RING | 2 |
| 105 | 16.064 | OIL WICK | OIL WICK | 1 |
| 106 | 51.560 | TUBO | TUBE | MT.0,30 |
| 107 | 51.610 | RACCORDO | JUNCTION | 1 |
| 108 | 24.204 | SENSORE OTTICO OLIO | OIL OPTICAL SENSOR | 1 |
| 110 | 01.985 | SUPPORTO POMPA | PUMP HOLDER | 1 |
| 114 | 53.703 | DADO M5 | EXAGON NUT M5 | 2 |
| 123 | 13.009 | CATENA 44 PASSI | CHAIN | 1 |
| 125 | 25.045 | TASTO INTERRUTTORE | SWITCH COVER | 1 |
| 130 | 29.065 | SCATOLA CARTONE | CARTON BOX | 1 |
| 131 | 30.030 | FONDO POLISTIROLO | STYROFOAM BOTTOM | 1 |
| 132 | 30.031 | ANGOLARE | CORNER | 4 |
| 133 | 29.068 | CARTONE | CARTON | 1 |

SPARE PART LIST

MODEL: KOBRA 310TS **ARTICLE NUMBER:** COMMON PARTS 58.434 E/S
CC2 E/S

REF. DRAW: 01-02-04-06-07-08-10-13

| POS. ITEM | CODICE PART NUMBER | DESCRIZIONE | DESIGNATION | QUANTITA' QUANTITY |
|----------------------|-----------------------------------|-----------------------|-----------------------|-------------------------------|
| 134 | 30.032 | COPERCHIO POLISTIROLO | STYROFOAM COVER | 1 |
| 135 | 29.066 | SCATOLA CARTONE | CARTON BOX | 1 |
| 136 | 30.026 | SET POLISTIROLO | STYROFOAM SET | 1 |
| 138 | 51.090 | OLIO 125cc | SHREDDER OIL | 1 |
| 139 | 60.063 | ISTRUZIONI | OPERATING INSTRUCTION | 1 |
| 140 | 60.004 | DICHIARAZIONE CE | | 1 |
| 141 | 60.001 | GARANZIA | WARRANTY CARD | 1 |
| 142 | 51.062 | SACCHETTO | BAG | 1 |
| 143 | 08.067 | DISTANZIALE | ROD | 2 |

SPARE PART LIST

MODEL: KOBRA 310TS **ARTICLE NUMBER:** 58.464E/S 230V-50Hz **SUPPLY (EUROPE)**
CC2 E/S

REF. DRAW: 02-04

| POS. ITEM | CODICE PART NUMBER | DESCRIZIONE | DESIGNATION | QUANTITA' QUANTITY |
|----------------------|-----------------------------------|----------------------|--------------------|-------------------------------|
| 036 | 27.117/230 | SCHEDA ELETTRONICA | PC BOARD | 1 |
| 039 | 27.112/230 | SCHEDA METALDETECTOR | PC BOARD METAL | 1 |
| 049 | 24.001 | CAVO | POWER CORD | 1 |
| 050 | 22.003 | CONDENSATORE 8mF | CAPACITOR 8Mf | 2 |
| 109 | 24.207 | POMPA | PUMP | 1 |
| 122 | 07.090 | MOTORIDUTTORE | GEAR MOTOR | 2 |

SPARE PART LIST

MODEL: KOBRA 310TS **ARTICLE NUMBER:** 58.514E/S 115V-60Hz **SUPPLY (USA / CANADA /)**
CC2 E/S

REF. DRAW: 02-04

| POS. ITEM | CODICE PART NUMBER | DESCRIZIONE | DESIGNATION | QUANTITA' QUANTITY |
|----------------------|-----------------------------------|----------------------|--------------------|-------------------------------|
| 036 | 27.117/115 | SCHEDA ELETTRONICA | PC BOARD | 1 |
| 039 | 27.112/115 | SCHEDA METALDETECTOR | PC BOARD METAL | 1 |
| 049 | 24.006 | CAVO | POWER CORD | 1 |
| 050 | 22.005 | CONDENSATORE 30mF | CAPACITOR 30mF | 2 |
| 109 | 24.208 | POMPA | PUMP | 1 |
| 122 | 07.091 | MOTORIDUTTORE | GEAR MOTOR | 2 |

SPARE PART LIST

MODEL: KOBRA 310TS **ARTICLE NUMBER:** 58.564E/S 110V-50/60Hz **SUPPLY (TAIWAN /
BRASIL)**
CC2 E/S

REF. DRAW: 02-04

| POS. ITEM | CODICE PART NUMBER | DESCRIZIONE | DESIGNATION | QUANTITA' QUANTITY |
|----------------------|-----------------------------------|----------------------|--------------------|-------------------------------|
| 036 | 27.117/115 | SCHEDA ELETTRONICA | PC BOARD | 1 |
| 039 | 27.112/115 | SCHEDA METALDETECTOR | PC BOARD METAL | 1 |
| 049 | 24.006 | CAVO | POWER CORD | 1 |
| 050 | 22.005 | CONDENSATORE 30mF | CAPACITOR 30mF | 2 |
| 109 | 24.208 | POMPA | PUMP | 1 |
| 122 | 07.091 | MOTORIDUTTORE | GEAR MOTOR | 2 |

SPARE PART LIST

MODEL: KOBRA 310TS **ARTICLE NUMBER:** 58.614E/S 100V-50/60Hz **SUPPLY (JAPAN)**
CC2 E/S

REF. DRAW: 02-04

| POS. ITEM | CODICE PART NUMBER | DESCRIZIONE | DESIGNATION | QUANTITA' QUANTITY |
|----------------------|-----------------------------------|----------------------|--------------------|-------------------------------|
| 036 | 27.117/115 | SCHEDA ELETTRONICA | PC BOARD | 1 |
| 039 | 27.112/115 | SCHEDA METALDETECTOR | PC BOARD METAL | 1 |
| 049 | 24.010 | CAVO | POWER CORD | 1 |
| 050 | 22.002 | CONDENSATORE 35mF | CAPACITOR 35Mf | 2 |
| 109 | 24.208 | POMPA | PUMP | 1 |
| 122 | 07.091 | MOTORIDUTTORE | GEAR MOTOR | 2 |

SPARE PART LIST

MODEL: KOBRA 310TS **ARTICLE NUMBER:** 58.664E/S 230V-50Hz SUPPLY (ISRAEL)
CC2 E/S

REF. DRAW: 02-04

| POS. ITEM | CODICE PART NUMBER | DESCRIZIONE | DESIGNATION | QUANTITA' QUANTITY |
|----------------------|-----------------------------------|----------------------|--------------------|-------------------------------|
| 036 | 27.117/230 | SCHEDA ELETTRONICA | PC BOARD | 1 |
| 039 | 27.112/230 | SCHEDA METALDETECTOR | PC BOARD METAL | 1 |
| 049 | 24.052 | CAVO | POWER CORD | 1 |
| 050 | 22.003 | CONDENSATORE 8mF | CAPACITOR 8Mf | 2 |
| 109 | 24.207 | POMPA | PUMP | 1 |
| 122 | 07.090 | MOTORIDUTTORE | GEAR MOTOR | 2 |

SPARE PART LIST

MODEL: KOBRA 310TS **ARTICLE NUMBER:** 58.714E/S 230V-50Hz SUPPLY(HK/BAHRAIN)
CC2 E/S

REF. DRAW: 02-04

| POS. ITEM | CODICE PART NUMBER | DESCRIZIONE | DESIGNATION | QUANTITA' QUANTITY |
|----------------------|-----------------------------------|----------------------|--------------------|-------------------------------|
| 036 | 27.117/230 | SCHEDA ELETTRONICA | PC BOARD | 1 |
| 039 | 27.112/230 | SCHEDA METALDETECTOR | PC BOARD METAL | 1 |
| 049 | 24.055 | CAVO | POWER CORD | 1 |
| 050 | 22.003 | CONDENSATORE 8mF | CAPACITOR 8Mf | 2 |
| 109 | 24.207 | POMPA | PUMP | 1 |
| 122 | 07.090 | MOTORIDUTTORE | GEAR MOTOR | 2 |

SPARE PART LIST

MODEL: KOBRA 310TS **ARTICLE NUMBER:** 58.764E/S 240V-50Hz SUPPLY (UK/MALESIA)
CC2 E/S

REF. DRAW: 02-04

| POS. ITEM | CODICE PART NUMBER | DESCRIZIONE | DESIGNATION | QUANTITA' QUANTITY |
|----------------------|-----------------------------------|-------------------------|--------------------|-------------------------------|
| 036 | 27.117/230 | SCHEDA ELETTRONICA/230V | PC BOARD | 1 |
| 039 | 27.112/230 | SCHEDA METALDETECTOR | PC BOARD METAL | 1 |
| 049 | 24.055 | CAVO | POWER CORD | 1 |
| 050 | 22.007 | CONDENSATORE 4mF | CAPACITOR 4Mf | 2 |
| 109 | 24.207 | POMPA | PUMP | 1 |
| 122 | 07.090 | MOTORIDUTTORE | GEAR MOTOR | 2 |

SPARE PART LIST

MODEL: KOBRA 310TS **ARTICLE NUMBER:** 58.814E/S 240V-50Hz SUPPLY (AUSTRALIA)
CC2 E/S

REF. DRAW: 02-04

| POS. ITEM | CODICE PART NUMBER | DESCRIZIONE | DESIGNATION | QUANTITA' QUANTITY |
|----------------------|-----------------------------------|----------------------|--------------------|-------------------------------|
| 036 | 27.117/230 | SCHEDA ELETTRONICA | PC BOARD | 1 |
| 039 | 27.112/230 | SCHEDA METALDETECTOR | PC BOARD METAL | 1 |
| 049 | 24.009 | CAVO | POWER CORD | 1 |
| 050 | 22.007 | CONDENSATORE 4mF | CAPACITOR 4Mf | 2 |
| 109 | 24.207 | POMPA | PUMP | 1 |
| 122 | 07.090 | MOTORIDUTTORE | GEAR MOTOR | 2 |

SPARE PART LIST

MODEL: KOBRA 310TS **ARTICLE NUMBER:** 58.864E/S 240V-50Hz SUPPLY (INDIA)
CC2 E/S

REF. DRAW: 02-04

| POS. ITEM | CODICE PART NUMBER | DESCRIZIONE | DESIGNATION | QUANTITA' QUANTITY |
|----------------------|-----------------------------------|----------------------|--------------------|-------------------------------|
| 036 | 27.117/230 | SCHEDA ELETTRONICA | PC BOARD | 1 |
| 039 | 27.112/230 | SCHEDA METALDETECTOR | PC BOARD METAL | 1 |
| 049 | 24.001 | CAVO | POWER CORD | 1 |
| 050 | 22.007 | CONDENSATORE 4mF | CAPACITOR 4Mf | 2 |
| 109 | 24.207 | POMPA | PUMP | 1 |
| 122 | 07.090 | MOTORIDUTTORE | GEAR MOTOR | 2 |

SPARE PART LIST

MODEL: KOBRA 310TS **ARTICLE NUMBER:** 58.914E/S 220V-50Hz SUPPLY (BZ/ARABIA/PH)
CC2 E/S

REF. DRAW: 02-04

| POS. ITEM | CODICE PART NUMBER | DESCRIZIONE | DESIGNATION | QUANTITA' QUANTITY |
|----------------------|-----------------------------------|----------------------|--------------------|-------------------------------|
| 036 | 27.117/230 | SCHEDA ELETTRONICA | PC BOARD | 1 |
| 039 | 27.112/230 | SCHEDA METALDETECTOR | PC BOARD METAL | 1 |
| 049 | 24.006 | CAVO | POWER CORD | 1 |
| 050 | 22.003 | CONDENSATORE 8mF | CAPACITOR 8Mf | 2 |
| 109 | 24.207 | POMPA | PUMP | 1 |
| 122 | 07.090 | MOTORIDUTTORE | GEAR MOTOR | 2 |

SPARE PART LIST

MODEL: KOBRA 310TS **ARTICLE NUMBER:** COMMON PARTS 58.435 E/S
CC4 E/S

REF. DRAW: 01-02-04-06-07-08-10-13

| POS. ITEM | CODICE PART NUMBER | DESCRIZIONE | DESIGNATION | QUANTITA' QUANTITY |
|----------------------|-----------------------------------|---------------------------------|-------------------------|-------------------------------|
| 001 | 01.834 | MOBILE | CABINET | 1 |
| 002 | 51.050 | GUIDA | GUIDE | 2 |
| 003 | 01.061 | TELAIO PORTASACCO | BAG FRAME | 1 |
| 004 | 28.032 | PORTASACCO | BAG HOLDER | 1 |
| 005 | 51.300 | SACCHETTO CD/DVD | CD/DVD BAG | 1 |
| 006 | 51.056 | PIASTRINA | HINGE PLATE | 2 |
| 007 | 51.057 | CERNIERA | HINGE | 2 |
| 008 | 53.994 | VITE 3,5x16 | SCREW 3,5x16 | 4 |
| 010 | 51.238 | CRICCHETTO | LOCK | 1 |
| 011 | 53.305 | VITE 2,5x12 | SCREW 2,5x12 | 2 |
| 012 | 51.237 | MANIGLIA | HANDLE | 1 |
| 013 | 51.038 | MAGNETE | MAGNET | 1 |
| 014 | 53.993 | VITE 3,9x9,5 | SCREW 3,9x9,5 | 1 |
| 015 | 53.396 | VITE M4x25 | SCREW M4x25 | 2 |
| 016 | 51.062 | SACCHETTO | BAG | 1 |
| 017 | 32.013 | RUOTE | CASTER | 4 |
| 018 | 53.359 | VITE 4x16 | SCREW 4x16 | 24 |
| 019 | 02.160 | COPERCHIO | PLASTIC COVER | 1 |
| 020 | 02.170 | PANNELLO | PANEL | 1 |
| 021 | 16.230 | SUPPORTO SCHEDA METAL | PC BOARD HOLDER | 1 |
| 022 | 23.036 | INTERRUTTORE | ON / OFF SWITCH | 1 |
| 023 | 02.055 | DIFFUSORE LUMINOSO | LIGHT OPTICAL INDICATOR | 1 |
| 024 | 37.309 | ETICHETTA ENERGY SMART | ENERGY SMART LABEL | 1 |
| 025 | 27.008 | PORTADIODI | SENSOR HOLDER | 3 |
| 026 | 27.071 | DIODO EMETTITORE | EMITTER DIODE | 2 |
| 027 | 27.072 | DIODO RICEVITORE | RECEIVER DIODE | 2 |
| 028 | 24.235 | LED BLU | LED LIGHT | 2 |
| 029 | 51.037 | MOLLETTA | SPRING | 6 |
| 030 | 25.015 | MICROINTERRUTTORE | MICROSWITCH | 1 |
| 031 | 24.233 | CABLAGGIO SACCO PIENO | BAG FULL HARDNESS | 1 |
| 032 | 24.211 | SENSORE MAGNETICO | MAGNETIC SENSOR | 1 |
| 033 | 53.603 | PRESSACAVO | BUSHING | 1 |
| 034 | 53.349 | VITE 4x16 | SCREW 4x16 | 8 |
| 035 | 24.268 | CABLAGGIO SCHEDA PULSANTIERA | PC BOARD HARDNESS | 1 |
| 037 | 27.118 | PULSANTIERA | SWITCH PANEL | 1 |
| 038 | 53.348 | VITE 2,5x6 | SCREW 2,5x6 | 7 |
| 041 | 53.328 | VITE 4x10 | SCREW 4x10 | 2 |
| 042 | 27.115 | METALDETECTOR | METALDETECTOR | 1 |
| 043 | 16.211/V | CONTENITORE OLIO | OIL BOTTLE HOLDER | 1 |
| 044 | 53.306 | VITE 2,9x13 | SCREW 2,9x13 | 3 |
| 045 | 51.085 | OLIO 1000cc | SHREDDER OIL | 1 |
| 046 | 51.084 | TAPPO | CAP | 1 |
| 047 | 01.700 | VASCHETTA | BOTTON COVER | 1 |
| 048 | 53.360 | VITE M3x13 | SCREW M3x13 | 4 |
| 051 | 04.305 | COLTELLO | KNIFE | 1 |
| 052 | 04.307 | COLTELLO | KNIFE | 1 |
| 053 | 06.043 | PETTINE | STRIPPER | 150 |
| 054 | 16.121 | PARATIA | PLATE | 1 |
| 055 | 08.060 | PERNO PARATIA | FLAP HOLDER | 1 |

SPARE PART LIST

MODEL: KOBRA 310TS **ARTICLE NUMBER:** COMMON PARTS 58.435 E/S
CC4 E/S

REF. DRAW: 01-02-04-06-07-08-10-13

| POS. ITEM | CODICE PART NUMBER | DESCRIZIONE | DESIGNATION | QUANTITA' QUANTITY |
|----------------------|-----------------------------------|------------------------|--------------------|-------------------------------|
| 056 | 16.220 | PARATIA SACCO PIENO | BAG FULL FLAP | 1 |
| 057 | 08.070 | PARATIA | PLATE | 1 |
| 058 | 14.200 | PIASTRA DX | RIGHT PLATE | 1 |
| 059 | 14.201 | PIASTRA SX | LEFT PLATE | 1 |
| 060 | 18.019 | PORTACUSCINETTO | BEARING HOLDER | 2 |
| 061 | 19.014 | CUSCINETTO 6002.2ZR | BEARING 6002.2ZR | 4 |
| 062 | 10.026 | INGRANAGGIO | GEAR | 2 |
| 063 | 10.029 | INGRANAGGIO | GEAR | 1 |
| 064 | 53.415 | LINGUETTA 5x5x16 | KEY 5x5x16 | 5 |
| 065 | 14.023 | DISTANZIALE | ROD | 12 |
| 066 | 11.012 | CORONA Z22 | CHAIN WELL | 2 |
| 067 | 12.009 | PIGNONE z9 | CHAIN WELL | 2 |
| 068 | 08.065 | DISTANZIALE | ROD | 2 |
| 069 | 08.066 | DISTANZIALE | ROD | 2 |
| 070 | 16.228 | PARATIA | PLATE | 2 |
| 071 | 53.200 | SEEGER DIA 10 | LOCKING RING | 2 |
| 072 | 53.202 | SEEGER DIA 15 | LOCKING RING | 11 |
| 073 | 53.203 | SEEGER DIA 22 | LOCKING RING | 4 |
| 075 | 04.273 | RULLO | KNIFE | 1 |
| 076 | 04.274 | RULLO | KNIFE | 1 |
| 077 | 19.027 | BOCCOLA | BUSHING | 4 |
| 078 | 14.056 | PIASTRA | PLATE | 1 |
| 079 | 53.602 | ANTIVIBRANTE | SHOCK ABSORBER | 2 |
| 080 | 53.201 | SEEGER DIA 12 | LOCKING RING | 4 |
| 081 | 02.145 | PETTINE | STRIPPER | 1 |
| 082 | 02.144 | PETTINE | STRIPPER | 1 |
| 083 | 10.083 | INGRANAGGIO | GEAR | 2 |
| 084 | 10.079 | INGRANAGGIO | GEAR | 1 |
| 085 | 10.084 | INGRANAGGIO | GEAR | 1 |
| 086 | 17.211 | ALBERO | SHAFT | 1 |
| 088 | 53.331 | VITE M4x10 | SCREW M4x10 | 18 |
| 089 | 53.142 | RONDELLA DENTELLATA M4 | TOOTHED WASHER M4 | 18 |
| 092 | 53.901 | VITE M8x20 | SCREW M8x20 | 1 |
| 093 | 53.146 | RONDELLA DENTELLATA M8 | TOOTHED WASHER M8 | 1 |
| 094 | 53.185 | RONDELLA M8 | WASHER M8 | 1 |
| 095 | 53.345 | VITE M5x25 | SCREW M5x25 | 5 |
| 096 | 53.143 | RONDELLA DENTELLATA M5 | TOOTHED WASHER M5 | 21 |
| 099 | 53.332 | VITE M5x12 | SCREW M5x12 | 12 |
| 102 | 53.702 | DADO M4 | EXAGON NUT M4 | 14 |
| 103 | 13.031 | CATENA 37 PASSI | CHAIN | 1 |
| 104 | 53.204 | SEEGER DIA 5 | LOCKING RING | 2 |
| 105 | 16.064 | OIL WICK | OIL WICK | 1 |
| 106 | 51.560 | TUBO | TUBE | MT.0,30 |
| 107 | 51.610 | RACCORDO | JUNCTION | 1 |
| 108 | 24.204 | SENSORE OTTICO OLIO | OIL OPTICAL SENSOR | 1 |
| 110 | 01.985 | SUPPORTO POMPA | PUMP HOLDER | 1 |
| 114 | 53.703 | DADO M5 | EXAGON NUT M5 | 2 |
| 123 | 13.009 | CATENA 44 PASSI | CHAIN | 1 |
| 125 | 25.045 | TASTO INTERRUPTORE | SWITCH COVER | 1 |
| 130 | 29.065 | SCATOLA CARTONE | CARTON BOX | 1 |
| 131 | 30.030 | FONDO POLISTIROLO | STYROFOAM BOTTOM | 1 |
| 132 | 30.031 | ANGOLARE | CORNER | 4 |
| 133 | 29.068 | CARTONE | CARTON | 1 |

SPARE PART LIST

MODEL: KOBRA 310TS **ARTICLE NUMBER:** COMMON PARTS 58.435 E/S
CC4 E/S

REF. DRAW: 01-02-04-06-07-08-10-13

| POS. ITEM | CODICE PART NUMBER | DESCRIZIONE | DESIGNATION | QUANTITA' QUANTITY |
|----------------------|-----------------------------------|-----------------------|-----------------------|-------------------------------|
| 134 | 30.032 | COPERCHIO POLISTIROLO | STYROFOAM COVER | 1 |
| 135 | 29.066 | SCATOLA CARTONE | CARTON BOX | 1 |
| 136 | 30.026 | SET POLISTIROLO | STYROFOAM SET | 1 |
| 138 | 51.090 | OLIO 125cc | SHREDDER OIL | 1 |
| 139 | 60.063 | ISTRUZIONI | OPERATING INSTRUCTION | 1 |
| 140 | 60.004 | DICHIARAZIONE CE | | 1 |
| 141 | 60.001 | GARANZIA | WARRANTY CARD | 1 |
| 142 | 51.062 | SACCHETTO | BAG | 1 |
| 143 | 08.067 | DISTANZIALE | ROD | 2 |

SPARE PART LIST

MODEL: KOBRA 310TS **ARTICLE NUMBER:** 58.465E/S 230V-50Hz **SUPPLY (EUROPE)**
CC4 E/S

REF. DRAW: 02-04

| POS. ITEM | CODICE PART NUMBER | DESCRIZIONE | DESIGNATION | QUANTITA' QUANTITY |
|----------------------------|---|----------------------|--------------------|-------------------------------------|
| 036 | 27.117/230 | SCHEDA ELETTRONICA | PC BOARD | 1 |
| 039 | 27.112/230 | SCHEDA METALDETECTOR | PC BOARD METAL | 1 |
| 049 | 24.001 | CAVO | POWER CORD | 1 |
| 050 | 22.003 | CONDENSATORE 8mF | CAPACITOR 8Mf | 2 |
| 109 | 24.207 | POMPA | PUMP | 1 |
| 122 | 07.090 | MOTORIDUTTORE | GEAR MOTOR | 2 |

SPARE PART LIST

MODEL: KOBRA 310TS **ARTICLE NUMBER:** 58.515E/S 115V-60Hz **SUPPLY (USA / CANADA /)**
CC4 E/S

REF. DRAW: 02-04

| POS. ITEM | CODICE PART NUMBER | DESCRIZIONE | DESIGNATION | QUANTITA' QUANTITY |
|----------------------------|---|----------------------|--------------------|-------------------------------------|
| 036 | 27.117/115 | SCHEDA ELETTRONICA | PC BOARD | 1 |
| 039 | 27.112/115 | SCHEDA METALDETECTOR | PC BOARD METAL | 1 |
| 049 | 24.006 | CAVO | POWER CORD | 1 |
| 050 | 22.005 | CONDENSATORE 30mF | CAPACITOR 30mF | 2 |
| 109 | 24.208 | POMPA | PUMP | 1 |
| 122 | 07.091 | MOTORIDUTTORE | GEAR MOTOR | 2 |

SPARE PART LIST

MODEL: KOBRA 310TS **ARTICLE NUMBER:** 58.565E/S 110V-60Hz **SUPPLY (TAIWAN / BRASIL)**
CC4 E/S

REF. DRAW: 02-04

| POS. ITEM | CODICE PART NUMBER | DESCRIZIONE | DESIGNATION | QUANTITA' QUANTITY |
|----------------------------|---|----------------------|--------------------|-------------------------------------|
| 036 | 27.117/115 | SCHEDA ELETTRONICA | PC BOARD | 1 |
| 039 | 27.112/115 | SCHEDA METALDETECTOR | PC BOARD METAL | 1 |
| 049 | 24.006 | CAVO | POWER CORD | 1 |
| 050 | 22.005 | CONDENSATORE 30mF | CAPACITOR 30mF | 2 |
| 109 | 24.208 | POMPA | PUMP | 1 |
| 122 | 07.091 | MOTORIDUTTORE | GEAR MOTOR | 2 |

SPARE PART LIST

MODEL: KOBRA 310TS **ARTICLE NUMBER:** 58.615 E/S 100V-50/60Hz **SUPPLY (JAPAN)**
CC4 E/S

REF. DRAW: 02-04

| POS. ITEM | CODICE PART NUMBER | DESCRIZIONE | DESIGNATION | QUANTITA' QUANTITY |
|----------------------------|---|----------------------|--------------------|-------------------------------------|
| 036 | 27.117/115 | SCHEDA ELETTRONICA | PC BOARD | 1 |
| 039 | 27.112/115 | SCHEDA METALDETECTOR | PC BOARD METAL | 1 |
| 049 | 24.010 | CAVO | POWER CORD | 1 |
| 050 | 22.002 | CONDENSATORE 35mF | CAPACITOR 35Mf | 2 |
| 109 | 24.208 | POMPA | PUMP | 1 |
| 122 | 07.091 | MOTORIDUTTORE | GEAR MOTOR | 2 |

SPARE PART LIST

MODEL: KOBRA 310TS **ARTICLE NUMBER:** 58.665E/S 230V-50Hz SUPPLY (ISRAEL)
CC4 E/S

REF. DRAW: 02-04

| POS. ITEM | CODICE PART NUMBER | DESCRIZIONE | DESIGNATION | QUANTITA' QUANTITY |
|----------------------|-----------------------------------|----------------------|--------------------|-------------------------------|
| 036 | 27.117/230 | SCHEDA ELETTRONICA | PC BOARD | 1 |
| 039 | 27.112/230 | SCHEDA METALDETECTOR | PC BOARD METAL | 1 |
| 049 | 24.052 | CAVO | POWER CORD | 1 |
| 050 | 22.003 | CONDENSATORE 8mF | CAPACITOR 8Mf | 2 |
| 109 | 24.207 | POMPA | PUMP | 1 |
| 122 | 07.090 | MOTORIDUTTORE | GEAR MOTOR | 2 |

SPARE PART LIST

MODEL: KOBRA 310TS **ARTICLE NUMBER:** 58.715E/S 230V-50Hz SUPPLY (HK/BAHRAIN)
CC4 E/S

REF. DRAW: 02-04

| POS. ITEM | CODICE PART NUMBER | DESCRIZIONE | DESIGNATION | QUANTITA' QUANTITY |
|----------------------|-----------------------------------|----------------------|--------------------|-------------------------------|
| 036 | 27.117/230 | SCHEDA ELETTRONICA | PC BOARD | 1 |
| 039 | 27.112/230 | SCHEDA METALDETECTOR | PC BOARD METAL | 1 |
| 049 | 24.055 | CAVO | POWER CORD | 1 |
| 050 | 22.003 | CONDENSATORE 8mF | CAPACITOR 8Mf | 2 |
| 109 | 24.207 | POMPA | PUMP | 1 |
| 122 | 07.090 | MOTORIDUTTORE | GEAR MOTOR | 2 |

SPARE PART LIST

MODEL: KOBRA 310TS **ARTICLE NUMBER:** 58.765E/S 240V-50Hz SUPPLY (UK/MALESIA)
CC4 E/S

REF. DRAW: 02-04

| POS. ITEM | CODICE PART NUMBER | DESCRIZIONE | DESIGNATION | QUANTITA' QUANTITY |
|----------------------|-----------------------------------|-------------------------|--------------------|-------------------------------|
| 036 | 27.117/230 | SCHEDA ELETTRONICA/230V | PC BOARD | 1 |
| 039 | 27.112/230 | SCHEDA METALDETECTOR | PC BOARD METAL | 1 |
| 049 | 24.055 | CAVO | POWER CORD | 1 |
| 050 | 22.007 | CONDENSATORE 4mF | CAPACITOR 4Mf | 2 |
| 109 | 24.207 | POMPA | PUMP | 1 |
| 122 | 07.090 | MOTORIDUTTORE | GEAR MOTOR | 2 |

SPARE PART LIST

MODEL: KOBRA 310TS **ARTICLE NUMBER:** 58.815E/S 240V-50Hz SUPPLY (AUSTRALIA)
CC4 E/S

REF. DRAW: 02-04

| POS. ITEM | CODICE PART NUMBER | DESCRIZIONE | DESIGNATION | QUANTITA' QUANTITY |
|----------------------|-----------------------------------|----------------------|--------------------|-------------------------------|
| 036 | 27.117/230 | SCHEDA ELETTRONICA | PC BOARD | 1 |
| 039 | 27.112/230 | SCHEDA METALDETECTOR | PC BOARD METAL | 1 |
| 049 | 24.009 | CAVO | POWER CORD | 1 |
| 050 | 22.007 | CONDENSATORE 4mF | CAPACITOR 4Mf | 2 |
| 109 | 24.207 | POMPA | PUMP | 1 |
| 122 | 07.090 | MOTORIDUTTORE | GEAR MOTOR | 2 |

95,00

SPARE PART LIST

MODEL: KOBRA 310TS **ARTICLE NUMBER:** 58.865E/S 240V-50Hz SUPPLY (INDIA)
CC4 E/S

REF. DRAW: 02-04

| POS. ITEM | CODICE PART NUMBER | DESCRIZIONE | DESIGNATION | QUANTITA' QUANTITY |
|----------------------|-----------------------------------|----------------------|--------------------|-------------------------------|
| 036 | 27.117/230 | SCHEDA ELETTRONICA | PC BOARD | 1 |
| 039 | 27.112/230 | SCHEDA METALDETECTOR | PC BOARD METAL | 1 |
| 049 | 24.001 | CAVO | POWER CORD | 1 |
| 050 | 22.007 | CONDENSATORE 4mF | CAPACITOR 4Mf | 2 |
| 109 | 24.207 | POMPA | PUMP | 1 |
| 122 | 07.090 | MOTORIDUTTORE | GEAR MOTOR | 2 |

SPARE PART LIST

MODEL: KOBRA 310TS **ARTICLE NUMBER:** 58.915E/S 220V-50Hz SUPPLY (BZ/ARABIA/PH)
CC4 E/S

REF. DRAW: 02-04

| POS. ITEM | CODICE PART NUMBER | DESCRIZIONE | DESIGNATION | QUANTITA' QUANTITY |
|----------------------|-----------------------------------|----------------------|--------------------|-------------------------------|
| 036 | 27.117/230 | SCHEDA ELETTRONICA | PC BOARD | 1 |
| 039 | 27.112/230 | SCHEDA METALDETECTOR | PC BOARD METAL | 1 |
| 049 | 24.006 | CAVO | POWER CORD | 1 |
| 050 | 22.003 | CONDENSATORE 8mF | CAPACITOR 8Mf | 2 |
| 109 | 24.207 | POMPA | PUMP | 1 |
| 122 | 07.090 | MOTORIDUTTORE | GEAR MOTOR | 2 |

SPARE PART LIST

MODEL: KOBRA 310TS **ARTICLE NUMBER:** COMMON PARTS 58.436 E/S
HS E/S

REF. DRAW: 01-02-05-06-07-09-11-14

| POS. ITEM | CODICE PART NUMBER | DESCRIZIONE | DESIGNATION | QUANTITA' QUANTITY |
|----------------------|-----------------------------------|---------------------------------|-------------------------|-------------------------------|
| 001 | 01.834 | MOBILE | CABINET | 1 |
| 002 | 51.050 | GUIDA | GUIDE | 2 |
| 003 | 01.061 | TELAIO PORTASACCO | BAG FRAME | 1 |
| 004 | 28.032 | PORTASACCO | BAG HOLDER | 1 |
| 005 | 51.300 | SACCHETTO CD/DVD | CD/DVD BAG | 1 |
| 006 | 51.056 | PIASTRINA | HINGE PLATE | 2 |
| 007 | 51.057 | CERNIERA | HINGE | 2 |
| 008 | 53.994 | VITE 3,5x16 | SCREW 3,5x16 | 4 |
| 010 | 51.238 | CRICCHETTO | LOCK | 1 |
| 011 | 53.305 | VITE 2,5x12 | SCREW 2,5x12 | 2 |
| 012 | 51.237 | MANIGLIA | HANDLE | 1 |
| 013 | 51.038 | MAGNETE | MAGNET | 1 |
| 014 | 53.993 | VITE 3,9x9,5 | SCREW 3,9x9,5 | 1 |
| 015 | 53.396 | VITE M4x25 | SCREW M4x25 | 2 |
| 016 | 51.062 | SACCHETTO | BAG | 1 |
| 017 | 32.013 | RUOTE | CASTER | 4 |
| 018 | 53.359 | VITE 4x16 | SCREW 4x16 | 24 |
| 019 | 02.160 | COPERCHIO | PLASTIC COVER | 1 |
| 020 | 02.171 | PANNELLO | PANEL | 1 |
| 021 | 16.230 | SUPPORTO SCHEDA METAL | PC BOARD HOLDER | 1 |
| 022 | 23.036 | INTERRUTTORE | ON / OFF SWITCH | 1 |
| 023 | 02.055 | DIFFUSORE LUMINOSO | LIGHT OPTICAL INDICATOR | 1 |
| 024 | 37.309 | ETICHETTA ENERGY SMART | ENERGY SMART LABEL | 1 |
| 025 | 27.008 | PORTADIODI | SENSOR HOLDER | 3 |
| 026 | 27.071 | DIODO EMETTITORE | EMITTER DIODE | 2 |
| 027 | 27.072 | DIODO RICEVITORE | RECEIVER DIODE | 2 |
| 028 | 24.235 | LED BLU | LED LIGHT | 2 |
| 029 | 51.037 | MOLLETTA | SPRING | 6 |
| 030 | 25.015 | MICROINTERRUTTORE | MICROSWITCH | 1 |
| 031 | 24.233 | CABLAGGIO SACCO PIENO | BAG FULL HARDNESS | 1 |
| 032 | 24.211 | SENSORE MAGNETICO | MAGNETIC SENSOR | 1 |
| 033 | 53.603 | PRESSACAVO | BUSHING | 1 |
| 034 | 53.349 | VITE 4x16 | SCREW 4x16 | 8 |
| 035 | 24.268 | CABLAGGIO SCHEDA PULSANTIERA | PC BOARD HARDNESS | 1 |
| 037 | 27.118 | PULSANTIERA | SWITCH PANEL | 1 |
| 038 | 53.348 | VITE 2,5x6 | SCREW 2,5x6 | 7 |
| 041 | 53.328 | VITE 4x10 | SCREW 4x10 | 2 |
| 042 | 27.115 | METALDETECTOR | METALDETECTOR | 1 |
| 043 | 16.211/V | CONTENITORE OLIO | OIL BOTTLE HOLDER | 1 |
| 044 | 53.306 | VITE 2,9x13 | SCREW 2,9x13 | 3 |
| 045 | 51.085 | OLIO 1000cc | SHREDDER OIL | 1 |
| 046 | 51.084 | TAPPO | CAP | 1 |
| 047 | 01.700 | VASCHETTA | BOTTOM COVER | 1 |
| 048 | 53.360 | VITE M3x13 | SCREW M3x13 | 4 |
| 051 | 17.028 | ALBERO | SHAFT | 1 |
| 052 | 17.027 | ALBERO | SHAFT | 1 |
| 053 | 06.005 | PETTINE | STRIPPER | 346 |
| 055 | 05.004 | LAMA | LAMA | 346 |

SPARE PART LIST**MODEL:** KOBRA 310TS **ARTICLE NUMBER:** COMMON PARTS 58.436 E/S
HS E/S**REF. DRAW:** 01-02-05-06-07-09-11-14

| POS. ITEM | CODICE PART NUMBER | DESCRIZIONE | DESIGNATION | QUANTITA' QUANTITY |
|----------------------|-----------------------------------|------------------------|-----------------------|-------------------------------|
| 056 | 36.002 | ANELLO | RING | 346 |
| 057 | 08.136 | DISTANZIALE | ROD | 4 |
| 058 | 18.036 | PORTACUSCINETTO | BEARING HOLDER | 2 |
| 059 | 53.208 | SEEGER DIA 29 | LOCKING RING | 4 |
| 060 | 19.014 | CUSCINETTO 6002.2ZR | BEARING 6002.2ZR | 4 |
| 061 | 53.202 | SEEGER DIA 15 | LOCKING RING | 5 |
| 062 | 10.011 | INGRANAGGIO | GEAR | 2 |
| 063 | 16.121 | PIASTRA | PLATE | 1 |
| 064 | 16.220 | PARATIA SACCO PIENO | BAG FULL FLAP | 1 |
| 065 | 08.060 | PERNO PARATIA | FLAP HOLDER | 1 |
| 066 | 08.070 | PARATIA | PLATE | 1 |
| 067 | 14.203 | PIASTRA SX | LEFT PLATE | 1 |
| 068 | 14.202 | PIASTRA DX | RIGHT PLATE | 1 |
| 069 | 14.023 | DISTANZIALE | ROD | 12 |
| 070 | 53.143 | RONDELLA DENTELLATA M5 | TOOTHED WASHER M5 | 13 |
| 071 | 53.335 | VITE M5 | SCREW M5X20 | 9 |
| 072 | 11.009 | CORONA Z26 | CHAIN WELL | 2 |
| 073 | 12.009 | PIGNONE Z9 | CHAIN WELL | 2 |
| 074 | 53.200 | SEEGER DIA 10 | SEEGER DIA 10 | 2 |
| 075 | 13.031 | CATENA 37 PASSI | CHAIN | 1 |
| 076 | 53.331 | VITE M4X10 | SCREW M4X10 | 16 |
| 077 | 53.142 | RONDELLA DENTELLATA M4 | TOOTHED WASHER M5 | 10 |
| 078 | 53.431 | LINGUETTA 5X5X10 | KEY 5X5X10 | 3 |
| 082 | 53.702 | DADO M4 | EXAGON NUT M4 | 5 |
| 083 | 53.706 | DADO M8 | EXAGON NUT M8 | 8 |
| 084 | 53.146 | RONDELLA DENTELLATA M8 | TOOTHED WASHER M8 | 8 |
| 085 | 16.054 | OIL WICK | OIL WICK | 1 |
| 086 | 01.985 | SUPPORTO POMPA | PUMP HOLDER | 1 |
| 087 | 51.560 | TUBO | TUBER | MT.0.30 |
| 093 | 24.204 | SENSORE OTTICO OLIO | OIL OPTICAL SENSOR | 1 |
| 094 | 51.610 | RACCORDO | JUNCTION | 1 |
| 095 | 53.703 | DADO M5 | EXAGON NUT M5 | 2 |
| 099 | 13.005 | CATENA 47 PASSI | CHAIN | 1 |
| 125 | 25.045 | TASTO INTERRUTTORE | SWITCH COVER | 1 |
| 130 | 29.065 | SCATOLA CARTONE | CARTON BOX | 1 |
| 131 | 30.030 | FONDO POLISTIROLO | STYROFOAM BOTTOM | 1 |
| 132 | 30.031 | ANGOLARE | CORNER | 4 |
| 133 | 29.068 | CARTONE | CARTON | 1 |
| 134 | 30.032 | COPERCHIO POLISTIROLO | STYROFOAM COVER | 1 |
| 135 | 29.066 | SCATOLA CARTONE | CARTON BOX | 1 |
| 136 | 30.026 | SET POLISTIROLO | STYROFOAM SET | 1 |
| 138 | 51.090 | OLIO 125CC | SHREDDER OIL | 1 |
| 139 | 60.063 | ISTRUZIONI | OPERATING INSTRUCTION | 1 |
| 140 | 60.004 | DICHIARAZIONE CEE | | 1 |
| 141 | 60.001 | GARANZIA | WARRANTY CARD | 1 |
| 142 | 51.062 | SACCHETTO | BAG | 1 |

SPARE PART LIST**MODEL:** KOBRA 310TS **ARTICLE NUMBER:** 58.466E/S 230V-50Hz **SUPPLY (EUROPE)**
HS E/S**REF. DRAW:** 02-05

| POS. ITEM | CODICE PART NUMBER | DESCRIZIONE | DESIGNATION | QUANTITA' QUANTITY |
|----------------------|-----------------------------------|----------------------|--------------------|-------------------------------|
| 036 | 27.117/230 | SCHEDA ELETTRONICA | PC BOARD | 1 |
| 039 | 27.112/230 | SCHEDA METALDETECTOR | PC BOARD METAL | 1 |
| 049 | 24.001 | CAVO | POWER CORD | 1 |
| 050 | 22.003 | CONDENSATORE 8mF | CAPACITOR 8mF | 2 |
| 092 | 24.207 | POMPA | PUMP | 1 |
| 097 | 07.090 | MOTORIDUTTORE | GEAR MOTOR | 2 |

SPARE PART LIST**MODEL:** KOBRA 310TS **ARTICLE NUMBER:** 58.516E/S 115V-60Hz **SUPPLY (USA/CANADA)**
HS E/S**REF. DRAW:** 02-05

| POS. ITEM | CODICE PART NUMBER | DESCRIZIONE | DESIGNATION | QUANTITA' QUANTITY |
|----------------------|-----------------------------------|----------------------|--------------------|-------------------------------|
| 036 | 27.117/115 | SCHEDA ELETTRONICA | PC BOARD | 1 |
| 039 | 27.112/115 | SCHEDA METALDETECTOR | PC BOARD METAL | 1 |
| 049 | 24.006 | CAVO | POWER CORD | 1 |
| 050 | 22.005 | CONDENSATORE 30mF | CAPACITOR 30mF | 2 |
| 092 | 24.208 | POMPA | PUMP | 1 |
| 097 | 07.091 | MOTORIDUTTORE | GEAR MOTOR | 2 |

SPARE PART LIST**MODEL:** KOBRA 310TS **ARTICLE NUMBER:** 58.566E/S 110V-60Hz **SUPPLY (TAIWAN/BRASIL)**
HS E/S**REF. DRAW:** 02-05

| POS. ITEM | CODICE PART NUMBER | DESCRIZIONE | DESIGNATION | QUANTITA' QUANTITY |
|----------------------|-----------------------------------|----------------------|--------------------|-------------------------------|
| 036 | 27.117/115 | SCHEDA ELETTRONICA | PC BOARD | 1 |
| 039 | 27.112/115 | SCHEDA METALDETECTOR | PC BOARD METAL | 1 |
| 049 | 24.006 | CAVO | POWER CORD | 1 |
| 050 | 22.005 | CONDENSATORE 30mF | CAPACITOR 30mF | 2 |
| 092 | 24.208 | POMPA | PUMP | 1 |
| 097 | 07.091 | MOTORIDUTTORE | GEAR MOTOR | 2 |

SPARE PART LIST**MODEL:** KOBRA 310TS **ARTICLE NUMBER:** 58.616E/S 100V-50/60 Hz **SUPPLY (JAPAN)**
HS E/S**REF. DRAW:** 02-05

| POS. ITEM | CODICE PART NUMBER | DESCRIZIONE | DESIGNATION | QUANTITA' QUANTITY |
|----------------------|-----------------------------------|----------------------|--------------------|-------------------------------|
| 036 | 27.117/115 | SCHEDA ELETTRONICA | PC BOARD | 1 |
| 039 | 27.112/115 | SCHEDA METALDETECTOR | PC BOARD METAL | 1 |
| 049 | 24.006 | CAVO | POWER CORD | 1 |
| 050 | 22.005 | CONDENSATORE 30mF | CAPACITOR 30mF | 2 |
| 092 | 24.208 | POMPA | PUMP | 1 |
| 097 | 07.091 | MOTORIDUTTORE | GEAR MOTOR | 2 |

SPARE PART LIST**MODEL:** KOBRA 310TS **ARTICLE NUMBER:** 58.666E/S 230V-50Hz **SUPPLY (ISRAELE)**
HS E/S**REF. DRAW:** 02-05

| POS. ITEM | CODICE PART NUMBER | DESCRIZIONE | DESIGNATION | QUANTITA' QUANTITY |
|----------------------|-----------------------------------|----------------------|--------------------|-------------------------------|
| 036 | 27.117/230 | SCHEDA ELETTRONICA | PC BOARD | 1 |
| 039 | 27.112/230 | SCHEDA METALDETECTOR | PC BOARD METAL | 1 |
| 049 | 24.052 | CAVO | POWER CORD | 1 |
| 050 | 22.003 | CONDENSATORE 8mF | CAPACITOR 8mF | 2 |
| 092 | 24.207 | POMPA | PUMP | 1 |
| 097 | 07.090 | MOTORIDUTTORE | GEAR MOTOR | 2 |

SPARE PART LIST**MODEL:** KOBRA 310TS **ARTICLE NUMBER:** 58.716E/S 230V-50Hz **SUPPLY (HK/BAHRAIN)**
HS E/S**REF. DRAW:** 02-05

| POS. ITEM | CODICE PART NUMBER | DESCRIZIONE | DESIGNATION | QUANTITA' QUANTITY |
|----------------------|-----------------------------------|----------------------|--------------------|-------------------------------|
| 036 | 27.117/230 | SCHEDA ELETTRONICA | PC BOARD | 1 |
| 039 | 27.112/230 | SCHEDA METALDETECTOR | PC BOARD METAL | 1 |
| 049 | 24.055 | CAVO | POWER CORD | 1 |
| 050 | 22.003 | CONDENSATORE 8mF | CAPACITOR 8mF | 2 |
| 092 | 24.207 | POMPA | PUMP | 1 |
| 097 | 07.090 | MOTORIDUTTORE | GEAR MOTOR | 2 |

SPARE PART LIST**MODEL:** KOBRA 310TS **ARTICLE NUMBER:** 58.766E/S 240V-50Hz **SUPPLY (UK/MALESIA)**
HS E/S**REF. DRAW:** 02-05

| POS. ITEM | CODICE PART NUMBER | DESCRIZIONE | DESIGNATION | QUANTITA' QUANTITY |
|----------------------|-----------------------------------|----------------------|--------------------|-------------------------------|
| 036 | 27.117/230 | SCHEDA ELETTRONICA | PC BOARD | 1 |
| 039 | 27.112/230 | SCHEDA METALDETECTOR | PC BOARD METAL | 1 |
| 049 | 24.055 | CAVO | POWER CORD | 1 |
| 050 | 22.007 | CONDENSATORE 4mF | CAPACITOR 4mF | 2 |
| 092 | 24.207 | POMPA | PUMP | 1 |
| 097 | 07.090 | MOTORIDUTTORE | GEAR MOTOR | 2 |

SPARE PART LIST**MODEL:** KOBRA 310TS **ARTICLE NUMBER:** 58.866E/S 240V-50Hz **SUPPLY (INDIA)**
HS E/S**REF. DRAW:** 02-05

| POS. ITEM | CODICE PART NUMBER | DESCRIZIONE | DESIGNATION | QUANTITA' QUANTITY |
|----------------------|-----------------------------------|----------------------|--------------------|-------------------------------|
| 036 | 27.117/230 | SCHEDA ELETTRONICA | PC BOARD | 1 |
| 039 | 27.112/230 | SCHEDA METALDETECTOR | PC BOARD METAL | 1 |
| 049 | 24.001 | CAVO | POWER CORD | 1 |
| 050 | 22.007 | CONDENSATORE 4mF | CAPACITOR 4mF | 2 |
| 092 | 24.207 | POMPA | PUMP | 1 |
| 097 | 07.090 | MOTORIDUTTORE | GEAR MOTOR | 2 |

SPARE PART LIST

MODEL: KOBRA 310TS **ARTICLE NUMBER:** 58.916E/S 220V-60Hz **SUPPLY (BZ/ARABIA/PH)**
HS E/S

REF. DRAW: 02-05

| POS. ITEM | CODICE PART NUMBER | DESCRIZIONE | DESIGNATION | QUANTITA' QUANTITY |
|----------------------|-----------------------------------|----------------------|--------------------|-------------------------------|
| 036 | 27.117/230 | SCHEDA ELETTRONICA | PC BOARD | 1 |
| 039 | 27.112/230 | SCHEDA METALDETECTOR | PC BOARD METAL | 1 |
| 049 | 24.006 | CAVO | POWER CORD | 1 |
| 050 | 22.003 | CONDENSATORE 8mF | CAPACITOR 8Mf | 2 |
| 092 | 24.207 | POMPA | PUMP | 1 |
| 097 | 07.090 | MOTORIDUTTORE | GEAR MOTOR | 2 |

SPARE PART LIST

MODEL: KOBRA 310TS **ARTICLE NUMBER:** 58.816E/S 240V-50Hz **SUPPLY (AUSTRALIA)**
HS E/S

REF. DRAW: 02-05

| POS. ITEM | CODICE PART NUMBER | DESCRIZIONE | DESIGNATION | QUANTITA' QUANTITY |
|----------------------|-----------------------------------|----------------------|--------------------|-------------------------------|
| 036 | 27.117/230 | SCHEDA ELETTRONICA | PC BOARD | 1 |
| 039 | 27.112/230 | SCHEDA METALDETECTOR | PC BOARD METAL | 1 |
| 049 | 24.009 | CAVO | POWER CORD | 1 |
| 050 | 22.007 | CONDENSATORE 4Mf | CAPACITOR 4mF | 2 |
| 092 | 24.207 | POMPA | PUMP | 1 |
| 097 | 07.090 | MOTORIDUTTORE | GEAR MOTOR | 2 |

SPARE PART LIST**MODEL:** KOBRA 310TS **ARTICLE NUMBER:** COMMON PARTS 58.437 E/S
HS-6 E/S**REF. DRAW:** 01-02-05-06-07-09-11-14

| POS. ITEM | CODICE PART NUMBER | DESCRIZIONE | DESIGNATION | QUANTITA' QUANTITY |
|----------------------|-----------------------------------|---------------------------------|-------------------------|-------------------------------|
| 001 | 01.834 | MOBILE | CABINET | 1 |
| 002 | 51.050 | GUIDA | GUIDE | 2 |
| 003 | 01.061 | TELAIO PORTASACCO | BAG FRAME | 1 |
| 004 | 28.032 | PORTASACCO | BAG HOLDER | 1 |
| 005 | 51.300 | SACCHETTO CD/DVD | CD/DVD BAG | 1 |
| 006 | 51.056 | PIASTRINA | HINGE PLATE | 2 |
| 007 | 51.057 | CERNIERA | HINGE | 2 |
| 008 | 53.994 | VITE 3,5x16 | SCREW 3,5x16 | 4 |
| 010 | 51.238 | CRICCHETTO | LOCK | 1 |
| 011 | 53.305 | VITE 2,5x12 | SCREW 2,5x12 | 2 |
| 012 | 51.237 | MANIGLIA | HANDLE | 1 |
| 013 | 51.038 | MAGNETE | MAGNET | 1 |
| 014 | 53.993 | VITE 3,9x9,5 | SCREW 3,9x9,5 | 1 |
| 015 | 53.396 | VITE M4x25 | SCREW M4x25 | 2 |
| 016 | 51.062 | SACCHETTO | BAG | 1 |
| 017 | 32.013 | RUOTE | CASTER | 4 |
| 018 | 53.359 | VITE 4x16 | SCREW 4x16 | 24 |
| 019 | 02.160 | COPERCHIO | PLASTIC COVER | 1 |
| 020 | 02.171 | PANNELLO | PANEL | 1 |
| 021 | 16.230 | SUPPORTO SCHEDA METAL | PC BOARD HOLDER | 1 |
| 022 | 23.036 | INTERRUTTORE | ON / OFF SWITCH | 1 |
| 023 | 02.055 | DIFFUSORE LUMINOSO | LIGHT OPTICAL INDICATOR | 1 |
| 024 | 37.309 | ETICHETTA ENERGY SMART | ENERGY SMART LABEL | 1 |
| 025 | 27.008 | PORTADIODI | SENSOR HOLDER | 3 |
| 026 | 27.071 | DIODO EMETTITORE | EMITTER DIODE | 2 |
| 027 | 27.072 | DIODO RICEVITORE | RECEIVER DIODE | 2 |
| 028 | 24.235 | LED BLU | LED LIGHT | 2 |
| 029 | 51.037 | MOLLETTA | SPRING | 6 |
| 030 | 25.015 | MICROINTERRUTTORE | MICROSWITCH | 1 |
| 031 | 24.233 | CABLAGGIO SACCO PIENO | BAG FULL HARDNESS | 1 |
| 032 | 24.211 | SENSORE MAGNETICO | MAGNETIC SENSOR | 1 |
| 033 | 53.603 | PRESSACAVO | BUSHING | 1 |
| 034 | 53.349 | VITE 4x16 | SCREW 4x16 | 8 |
| 035 | 24.268 | CABLAGGIO SCHEDA PULSANTIERA | PC BOARD HARDNESS | 1 |
| 037 | 27.118 | PULSANTIERA | SWITCH PANEL | 1 |
| 038 | 53.348 | VITE 2,5x6 | SCREW 2,5x6 | 7 |
| 041 | 53.328 | VITE 4x10 | SCREW 4x10 | 2 |
| 042 | 27.115 | METALDETECTOR | METALDETECTOR | 1 |
| 043 | 16.211/V | CONTENITORE OLIO | OIL BOTTLE HOLDER | 1 |
| 044 | 53.306 | VITE 2,9x13 | SCREW 2,9x13 | 3 |
| 045 | 51.085 | OLIO 1000cc | SHREDDER OIL | 1 |
| 046 | 51.084 | TAPPO | CAP | 1 |
| 047 | 01.700 | VASCHETTA | BOTTOM COVER | 1 |
| 048 | 53.360 | VITE M3x13 | SCREW M3x13 | 4 |
| 051 | 17.028 | ALBERO | SHAFT | 1 |
| 052 | 17.027 | ALBERO | SHAFT | 1 |
| 053 | 06.005 | PETTINE | STRIPPER | 30 |
| 054 | 06.006 | PETTINE | STRIPPER | 336 |
| 055 | 05.011 | LAMA | LAMA | 356 |

SPARE PART LIST**MODEL:** KOBRA 310TS **ARTICLE NUMBER:** COMMON PARTS 58.437 E/S
HS-6 E/S**REF. DRAW:** 01-02-05-06-07-09-11-14

| POS. ITEM | CODICE PART NUMBER | DESCRIZIONE | DESIGNATION | QUANTITA' QUANTITY |
|----------------------|-----------------------------------|------------------------|-----------------------|-------------------------------|
| 056 | 36.004 | ANELLO | RING | 356 |
| 057 | 08.136 | DISTANZIALE | ROD | 4 |
| 058 | 18.010 | PORTACUSCINETTO | BEARING HOLDER | 2 |
| 059 | 53.208 | SEEGER DIA 29 | LOCKING RING | 4 |
| 060 | 19.014 | CUSCINETTO 6002.2ZR | BEARING 6002.2ZR | 4 |
| 061 | 53.202 | SEEGER DIA 15 | LOCKING RING | 5 |
| 062 | 10.011 | INGRANAGGIO | GEAR | 2 |
| 063 | 16.121 | PIASTRA | PLATE | 1 |
| 064 | 16.220 | PARATIA SACCO PIENO | BAG FULL FLAP | 1 |
| 065 | 08.060 | PERNO PARATIA | FLAP HOLDER | 1 |
| 066 | 08.070 | PARATIA | PLATE | 1 |
| 067 | 14.203 | PIASTRA SX | LEFT PLATE | 1 |
| 068 | 14.202 | PIASTRA DX | RIGHT PLATE | 1 |
| 069 | 14.023 | DISTANZIALE | ROD | 12 |
| 070 | 53.143 | RONDELLA DENTELLATA M5 | TOOTHED WASHER M5 | 13 |
| 071 | 53.335 | VITE M5 | SCREW M5X20 | 9 |
| 072 | 11.009 | CORONA Z26 | CHAIN WELL | 2 |
| 073 | 12.009 | PIGNONE Z9 | CHAIN WELL | 2 |
| 074 | 53.200 | SEEGER DIA 10 | SEEGER DIA 10 | 2 |
| 075 | 13.030 | CATENA 39 PASSI | CHAIN | 1 |
| 076 | 53.331 | VITE M4X10 | SCREW M4X10 | 16 |
| 077 | 53.142 | RONDELLA DENTELLATA M4 | TOOTHED WASHER M5 | 10 |
| 078 | 53.431 | LINGUETTA 5X5X10 | KEY 5X5X10 | 3 |
| 082 | 53.702 | DADO M4 | EXAGON NUT M4 | 5 |
| 083 | 53.706 | DADO M8 | EXAGON NUT M8 | 8 |
| 084 | 53.146 | RONDELLA DENTELLATA M8 | TOOTHED WASHER M8 | 8 |
| 085 | 16.054 | OIL WICK | OIL WICK | 1 |
| 086 | 01.985 | SUPPORTO POMPA | PUMP HOLDER | 1 |
| 087 | 51.560 | TUBO | TUBER | MT.0.30 |
| 093 | 24.204 | SENSORE OTTICO OLIO | OIL OPTICAL SENSOR | 1 |
| 094 | 51.610 | RACCORDO | JUNCTION | 1 |
| 095 | 53.703 | DADO M5 | EXAGON NUT M5 | 2 |
| 099 | 13.011 | CATENA 49 PASSI | CHAIN | 1 |
| 125 | 25.045 | TASTO INTERRUTTORE | SWITCH COVER | 1 |
| 130 | 29.065 | SCATOLA CARTONE | CARTON BOX | 1 |
| 131 | 30.030 | FONDO POLISTIROLO | STYROFOAM BOTTOM | 1 |
| 132 | 30.031 | ANGOLARE | CORNER | 4 |
| 133 | 29.068 | CARTONE | CARTON | 1 |
| 134 | 30.032 | COPERCHIO POLISTIROLO | STYROFOAM COVER | 1 |
| 135 | 29.066 | SCATOLA CARTONE | CARTON BOX | 1 |
| 136 | 30.026 | SET POLISTIROLO | STYROFOAM SET | 1 |
| 138 | 51.090 | OLIO 125CC | SHREDDER OIL | 1 |
| 139 | 60.063 | ISTRUZIONI | OPERATING INSTRUCTION | 1 |
| 140 | 60.004 | DICHIARAZIONE CEE | | 1 |
| 141 | 60.001 | GARANZIA | WARRANTY CARD | 1 |
| 142 | 51.062 | SACCHETTO | BAG | 1 |

SPARE PART LIST**MODEL:** KOBRA 310TS **ARTICLE NUMBER:** 58.467E/S 230V-50Hz **SUPPLY (EUROPE)**
HS-6 E/S**REF. DRAW:** 02-05

| POS. ITEM | CODICE PART NUMBER | DESCRIZIONE | DESIGNATION | QUANTITA' QUANTITY |
|----------------------|-----------------------------------|----------------------|--------------------|-------------------------------|
| 036 | 27.117/230 | SCHEDA ELETTRONICA | PC BOARD | 1 |
| 039 | 27.112/230 | SCHEDA METALDETECTOR | PC BOARD METAL | 1 |
| 049 | 24.001 | CAVO | POWER CORD | 1 |
| 050 | 22.003 | CONDENSATORE 8mF | CAPACITOR 8mF | 2 |
| 092 | 24.207 | POMPA | PUMP | 1 |
| 097 | 07.090 | MOTORIDUTTORE | GEAR MOTOR | 2 |

SPARE PART LIST**MODEL:** KOBRA 310TS **ARTICLE NUMBER:** 58.517E/S 115V-60Hz **SUPPLY (USA/CANADA)**
HS-6 E/S**REF. DRAW:** 02-05

| POS. ITEM | CODICE PART NUMBER | DESCRIZIONE | DESIGNATION | QUANTITA' QUANTITY |
|----------------------|-----------------------------------|----------------------|--------------------|-------------------------------|
| 036 | 27.117/115 | SCHEDA ELETTRONICA | PC BOARD | 1 |
| 039 | 27.112/115 | SCHEDA METALDETECTOR | PC BOARD METAL | 1 |
| 049 | 24.006 | CAVO | POWER CORD | 1 |
| 050 | 22.005 | CONDENSATORE 30mF | CAPACITOR 30mF | 2 |
| 092 | 24.208 | POMPA | PUMP | 1 |
| 097 | 07.091 | MOTORIDUTTORE | GEAR MOTOR | 2 |

SPARE PART LIST**MODEL:** KOBRA 310TS **ARTICLE NUMBER:** 58.567E/S 110V-60Hz **SUPPLY (TAIWAN/BRASIL)**
HS-6 E/S**REF. DRAW:** 02-05

| POS. ITEM | CODICE PART NUMBER | DESCRIZIONE | DESIGNATION | QUANTITA' QUANTITY |
|----------------------|-----------------------------------|----------------------|--------------------|-------------------------------|
| 036 | 27.117/115 | SCHEDA ELETTRONICA | PC BOARD | 1 |
| 039 | 27.112/115 | SCHEDA METALDETECTOR | PC BOARD METAL | 1 |
| 049 | 24.006 | CAVO | POWER CORD | 1 |
| 050 | 22.005 | CONDENSATORE 30mF | CAPACITOR 30mF | 2 |
| 092 | 24.208 | POMPA | PUMP | 1 |
| 097 | 07.091 | MOTORIDUTTORE | GEAR MOTOR | 2 |

SPARE PART LIST**MODEL:** KOBRA 310TS **ARTICLE NUMBER:** 58.617E/S 100V-50/60 Hz **SUPPLY (JAPAN)**
HS-6 E/S**REF. DRAW:** 02-05

| POS. ITEM | CODICE PART NUMBER | DESCRIZIONE | DESIGNATION | QUANTITA' QUANTITY |
|----------------------|-----------------------------------|----------------------|--------------------|-------------------------------|
| 036 | 27.117/115 | SCHEDA ELETTRONICA | PC BOARD | 1 |
| 039 | 27.112/115 | SCHEDA METALDETECTOR | PC BOARD METAL | 1 |
| 049 | 24.006 | CAVO | POWER CORD | 1 |
| 050 | 22.005 | CONDENSATORE 30mF | CAPACITOR 30mF | 2 |
| 092 | 24.208 | POMPA | PUMP | 1 |
| 097 | 07.091 | MOTORIDUTTORE | GEAR MOTOR | 2 |

SPARE PART LIST**MODEL:** KOBRA 310TS **ARTICLE NUMBER:** 58.667E/S 230V-50Hz **SUPPLY (ISRAELE)**
HS-6 E/S**REF. DRAW:** 02-05

| POS. ITEM | CODICE PART NUMBER | DESCRIZIONE | DESIGNATION | QUANTITA' QUANTITY |
|----------------------|-----------------------------------|----------------------|--------------------|-------------------------------|
| 036 | 27.117/230 | SCHEDA ELETTRONICA | PC BOARD | 1 |
| 039 | 27.112/230 | SCHEDA METALDETECTOR | PC BOARD METAL | 1 |
| 049 | 24.052 | CAVO | POWER CORD | 1 |
| 050 | 22.003 | CONDENSATORE 8mF | CAPACITOR 8mF | 2 |
| 092 | 24.207 | POMPA | PUMP | 1 |
| 097 | 07.090 | MOTORIDUTTORE | GEAR MOTOR | 2 |

SPARE PART LIST**MODEL:** KOBRA 310TS **ARTICLE NUMBER:** 58.717E/S 230V-50Hz **SUPPLY (HK/BAHRAIN)**
HS-6 E/S**REF. DRAW:** 02-05

| POS. ITEM | CODICE PART NUMBER | DESCRIZIONE | DESIGNATION | QUANTITA' QUANTITY |
|----------------------|-----------------------------------|----------------------|--------------------|-------------------------------|
| 036 | 27.117/230 | SCHEDA ELETTRONICA | PC BOARD | 1 |
| 039 | 27.112/230 | SCHEDA METALDETECTOR | PC BOARD METAL | 1 |
| 049 | 24.055 | CAVO | POWER CORD | 1 |
| 050 | 22.003 | CONDENSATORE 8mF | CAPACITOR 8mF | 2 |
| 092 | 24.207 | POMPA | PUMP | 1 |
| 097 | 07.090 | MOTORIDUTTORE | GEAR MOTOR | 2 |

SPARE PART LIST**MODEL:** KOBRA 310TS **ARTICLE NUMBER:** 58.767E/S 240V-50Hz **SUPPLY (UK/MALESIA)**
HS-6 E/S**REF. DRAW:** 02-05

| POS. ITEM | CODICE PART NUMBER | DESCRIZIONE | DESIGNATION | QUANTITA' QUANTITY |
|----------------------|-----------------------------------|----------------------|--------------------|-------------------------------|
| 036 | 27.117/230 | SCHEDA ELETTRONICA | PC BOARD | 1 |
| 039 | 27.112/230 | SCHEDA METALDETECTOR | PC BOARD METAL | 1 |
| 049 | 24.055 | CAVO | POWER CORD | 1 |
| 050 | 22.007 | CONDENSATORE 4mF | CAPACITOR 4mF | 2 |
| 092 | 24.207 | POMPA | PUMP | 1 |
| 097 | 07.090 | MOTORIDUTTORE | GEAR MOTOR | 2 |

SPARE PART LIST**MODEL:** KOBRA 310TS **ARTICLE NUMBER:** 58.867E/S 240V-50Hz **SUPPLY (INDIA)**
HS-6 E/S**REF. DRAW:** 02-0

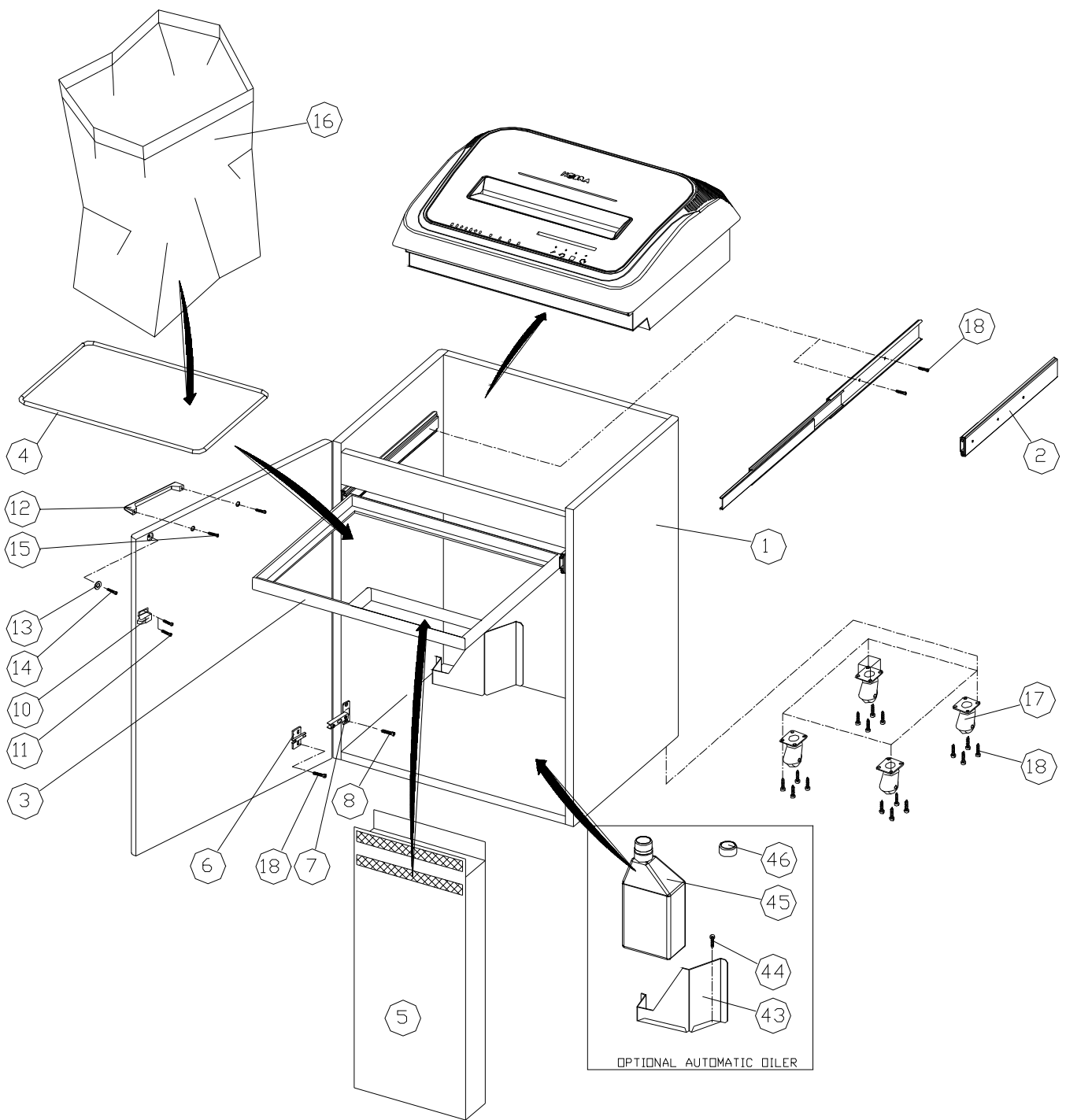
| POS. ITEM | CODICE PART NUMBER | DESCRIZIONE | DESIGNATION | QUANTITA' QUANTITY |
|----------------------|-----------------------------------|----------------------|--------------------|-------------------------------|
| 036 | 27.117/230 | SCHEDA ELETTRONICA | PC BOARD | 1 |
| 039 | 27.112/230 | SCHEDA METALDETECTOR | PC BOARD METAL | 1 |
| 049 | 24.001 | CAVO | POWER CORD | 1 |
| 050 | 22.007 | CONDENSATORE 4mF | CAPACITOR 4mF | 2 |
| 092 | 24.207 | POMPA | PUMP | 1 |
| 097 | 07.090 | MOTORIDUTTORE | GEAR MOTOR | 2 |

SPARE PART LIST**MODEL:** KOBRA 310TS **ARTICLE NUMBER:** 58.917E/S 220V-60Hz **SUPPLY (BZ/ARABIA/PH)**
HS-6 E/S**REF. DRAW:** 02-05

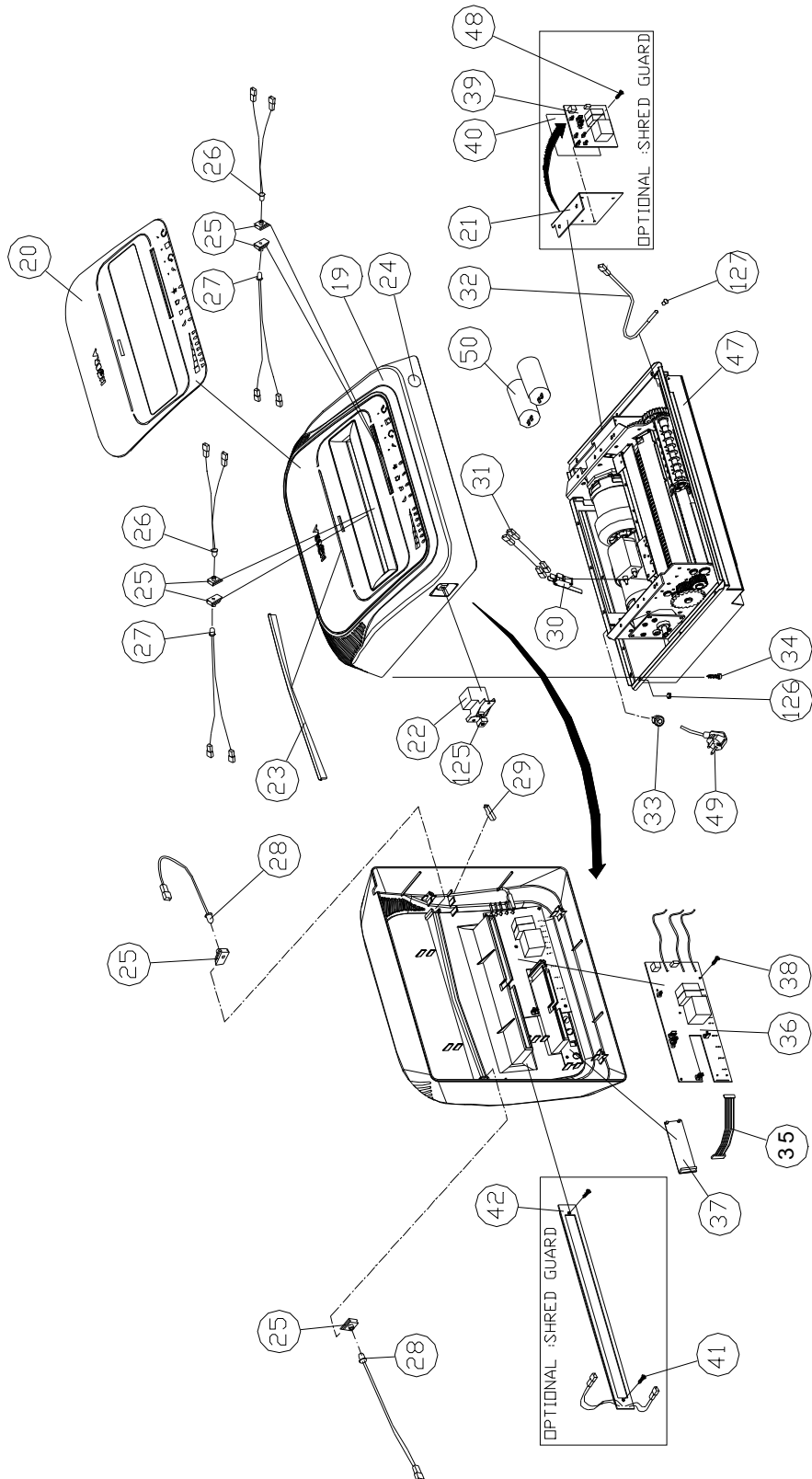
| POS. ITEM | CODICE PART NUMBER | DESCRIZIONE | DESIGNATION | QUANTITA' QUANTITY |
|----------------------|-----------------------------------|----------------------|--------------------|-------------------------------|
| 036 | 27.117/230 | SCHEDA ELETTRONICA | PC BOARD | 1 |
| 039 | 27.112/230 | SCHEDA METALDETECTOR | PC BOARD METAL | 1 |
| 049 | 24.006 | CAVO | POWER CORD | 1 |
| 050 | 22.003 | CONDENSATORE 8mF | CAPACITOR 8Mf | 2 |
| 092 | 24.207 | POMPA | PUMP | 1 |
| 097 | 07.090 | MOTORIDUTTORE | GEAR MOTOR | 2 |

SPARE PART LIST**MODEL:** KOBRA 310TS **ARTICLE NUMBER:** 58.817E/S 240V-50Hz **SUPPLY (AUSTRALIA)**
HS-6 E/S**REF. DRAW:** 02-05

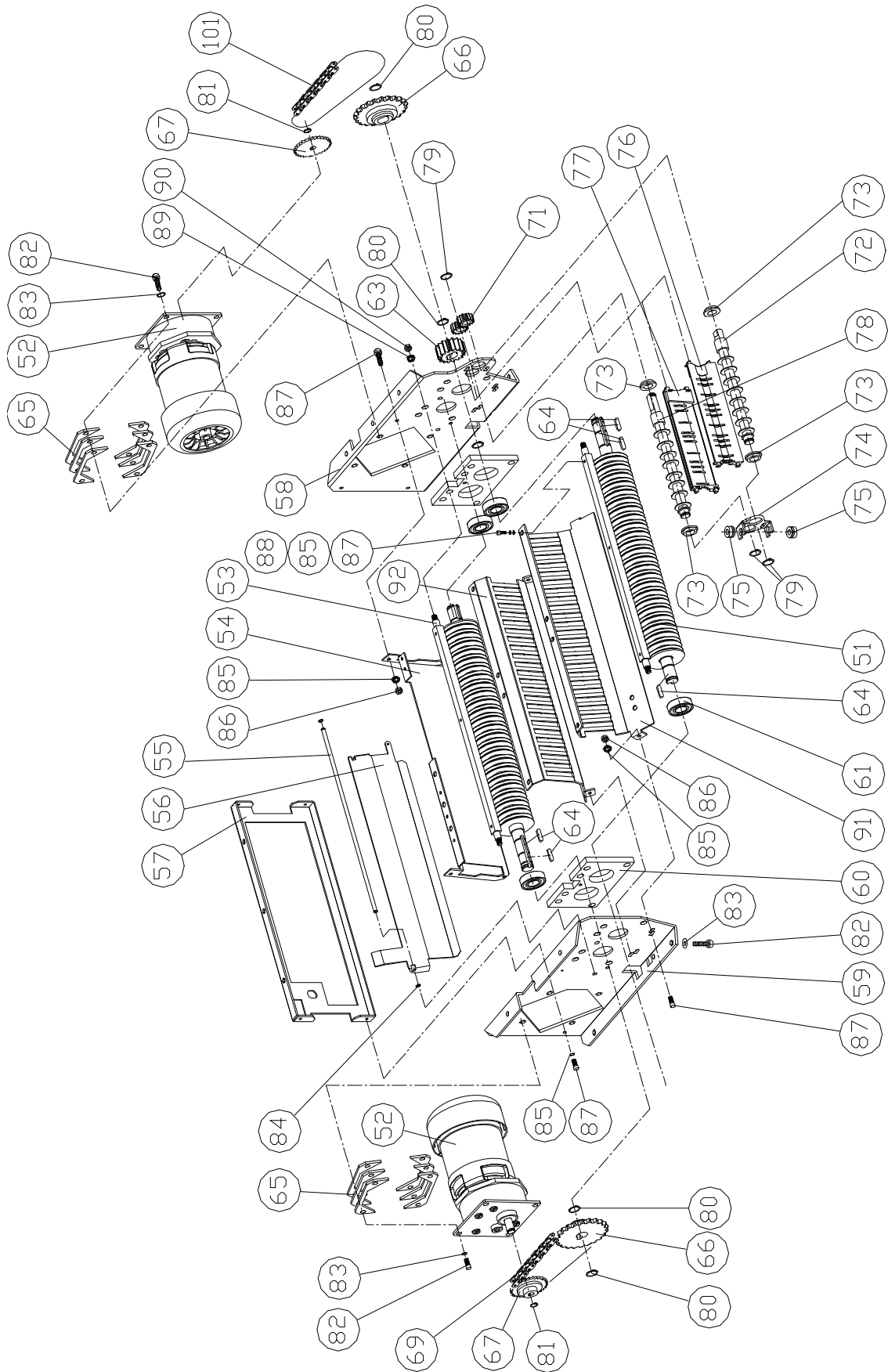
| POS. ITEM | CODICE PART NUMBER | DESCRIZIONE | DESIGNATION | QUANTITA' QUANTITY |
|----------------------|-----------------------------------|----------------------|--------------------|-------------------------------|
| 036 | 27.117/230 | SCHEDA ELETTRONICA | PC BOARD | 1 |
| 039 | 27.112/230 | SCHEDA METALDETECTOR | PC BOARD METAL | 1 |
| 049 | 24.009 | CAVO | POWER CORD | 1 |
| 050 | 22.007 | CONDENSATORE 4Mf | CAPACITOR 4mF | 2 |
| 092 | 24.207 | POMPA | PUMP | 1 |
| 097 | 07.090 | MOTORIDUTTORE | GEAR MOTOR | 2 |



DISEGNO 1 /DRAWING 1

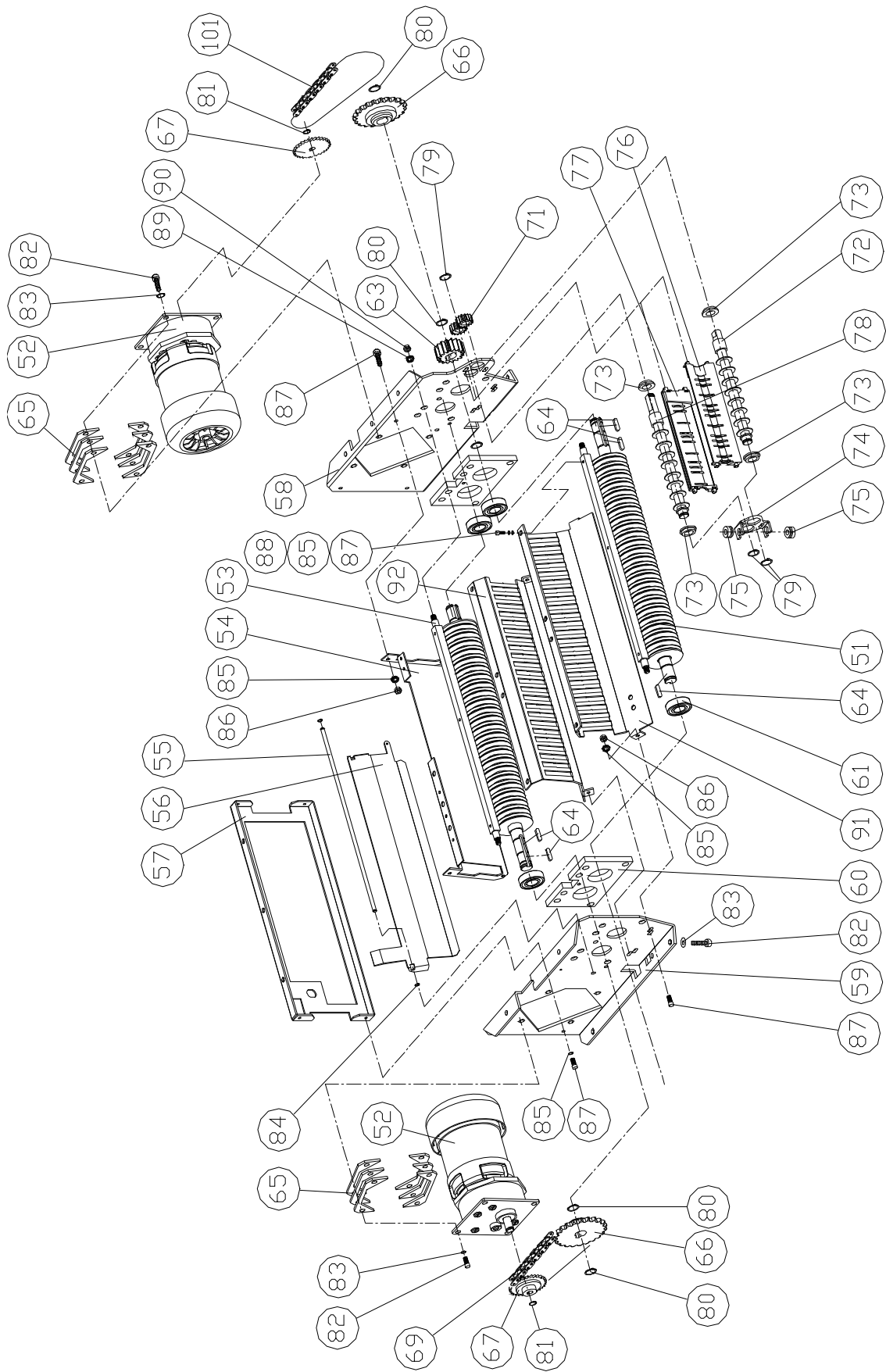


DISEGNO 2 /DRAWING 2



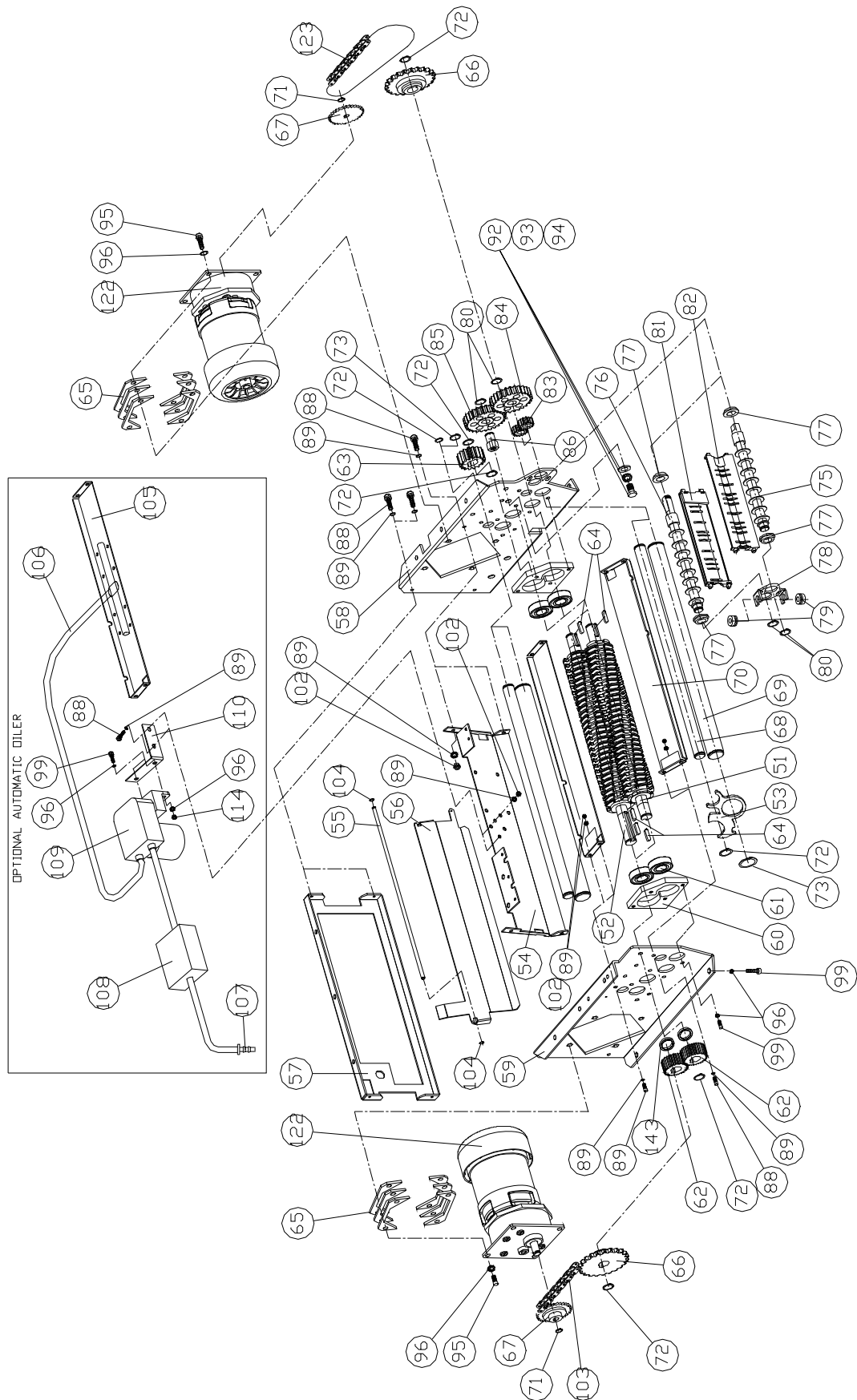
DISEGNO 3 /DRAWING 3

K310TS SS4



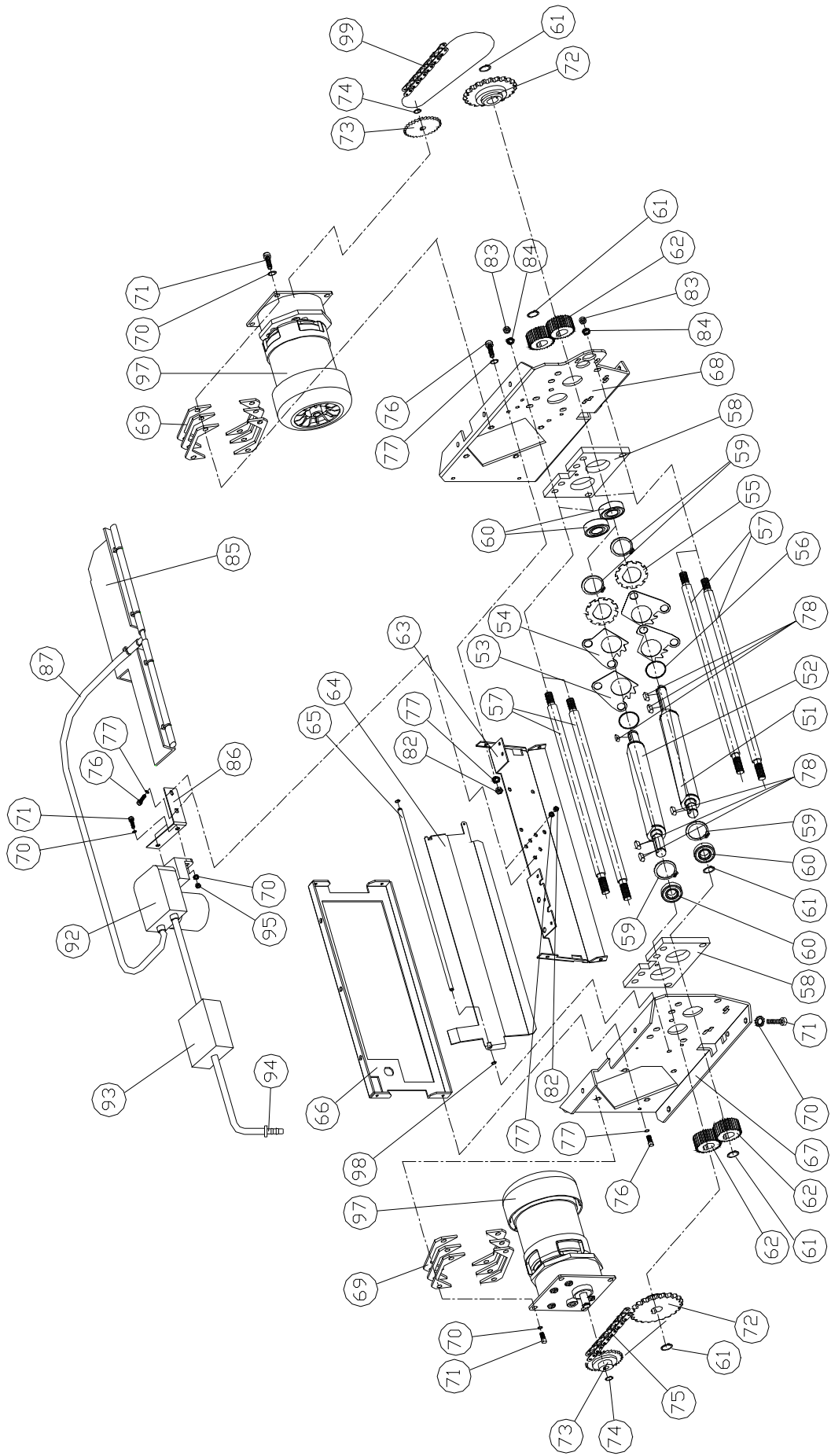
DISEGNO 3A /DRAWING 3A

K310TS SS5



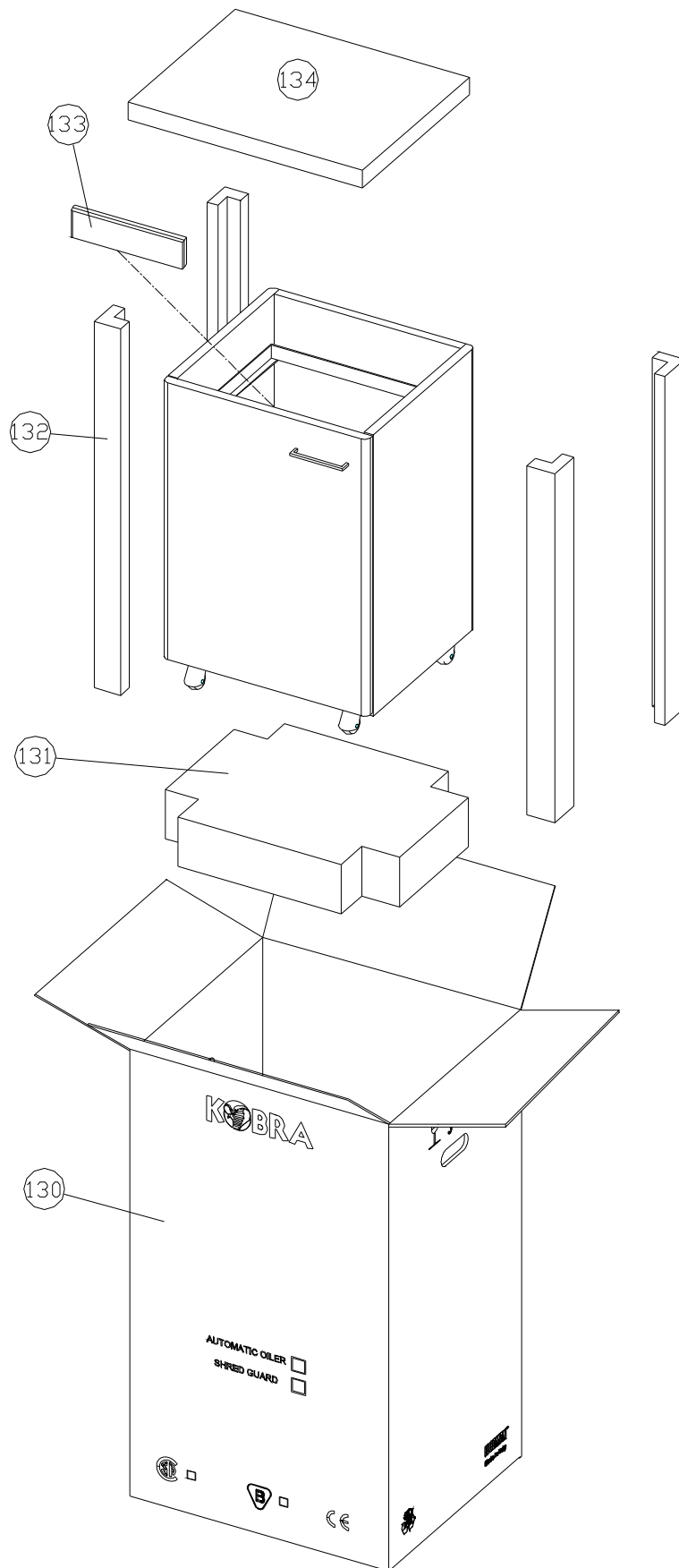
DISEGNO 4 /DRAWING 4

K310TS CC2_CC4

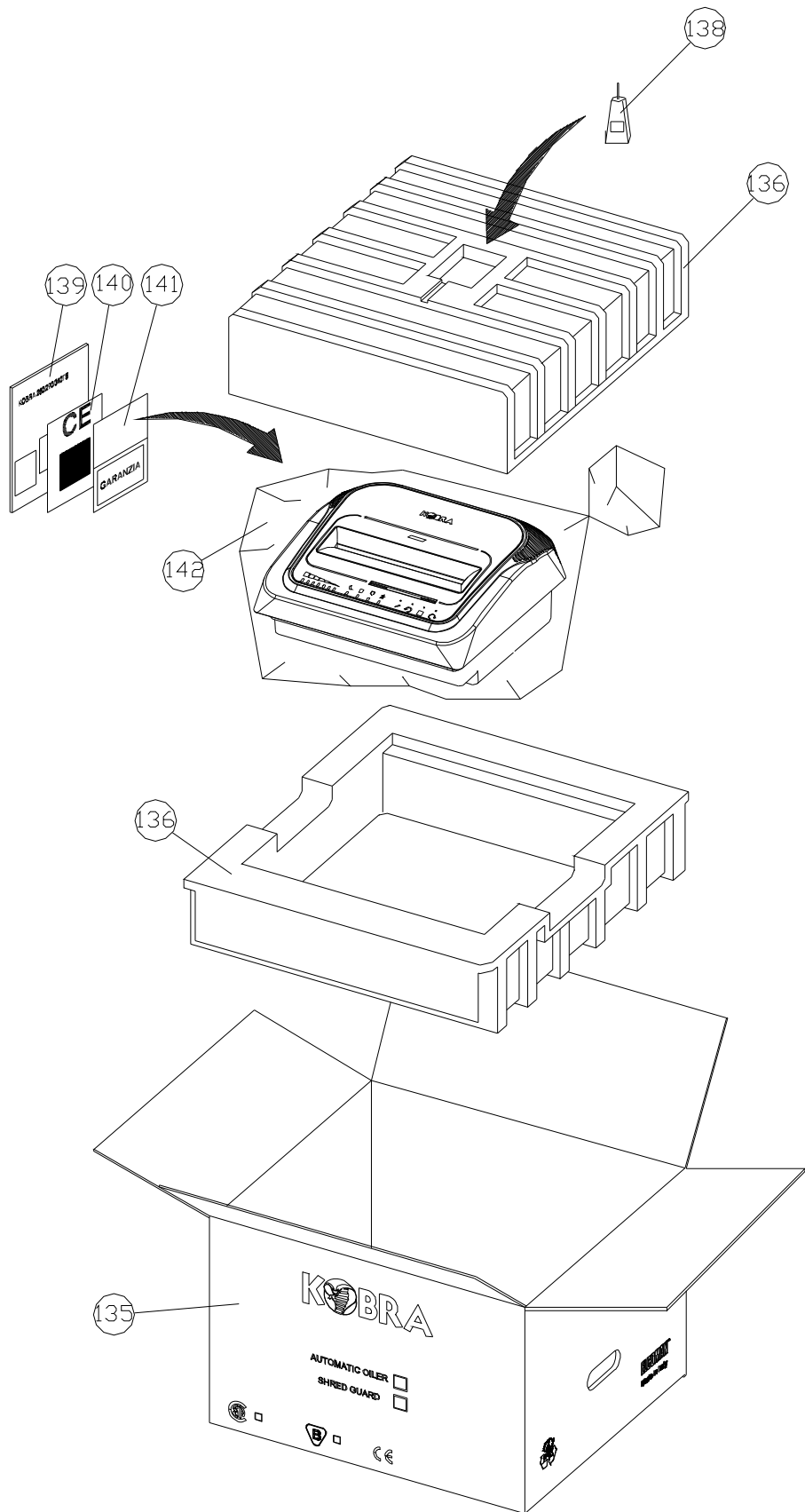


DISEGNO 5 /DRAWING 5

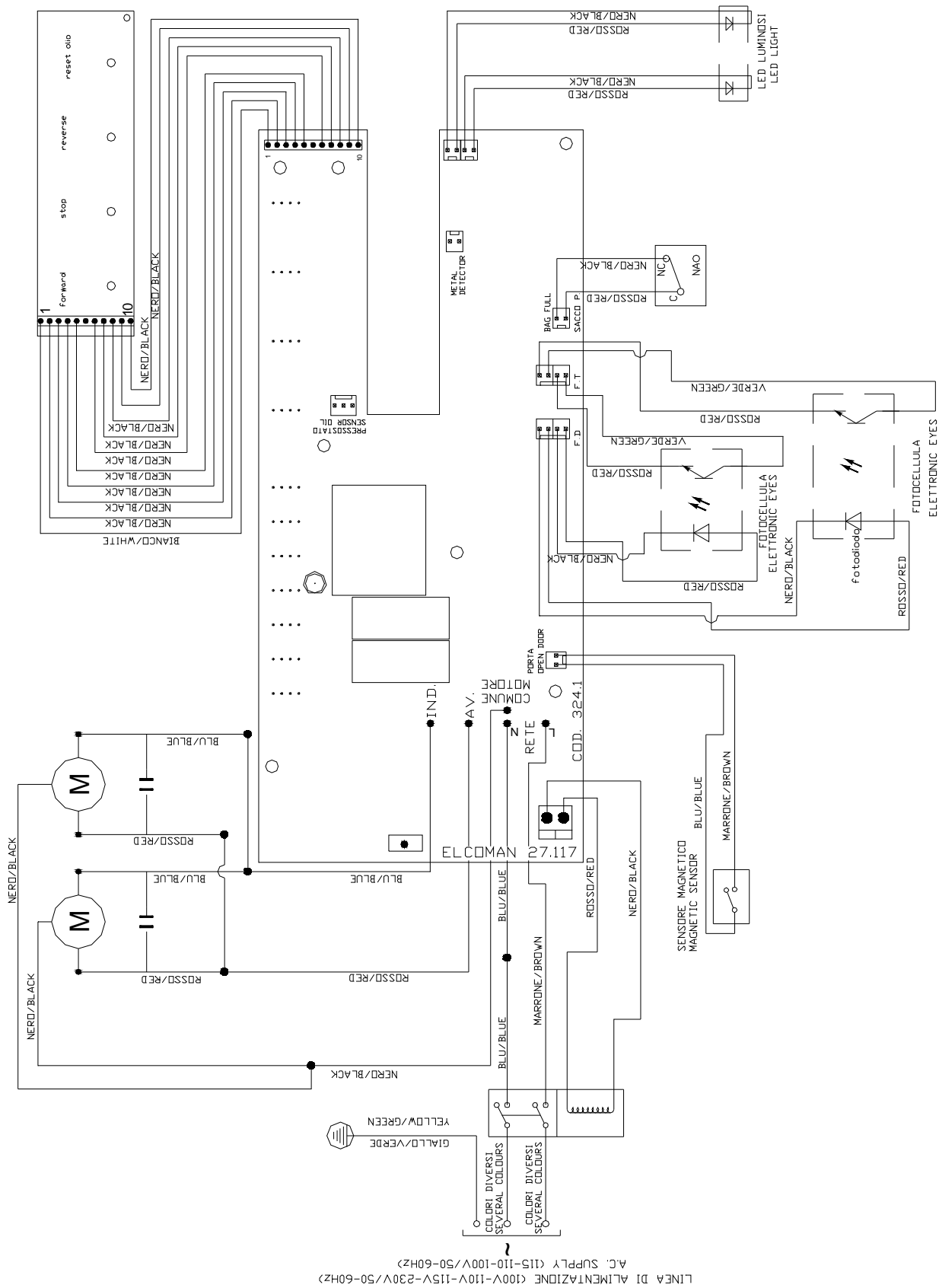
K310TS HS _ HS-6



DISEGNO 6 /DRAWING 6

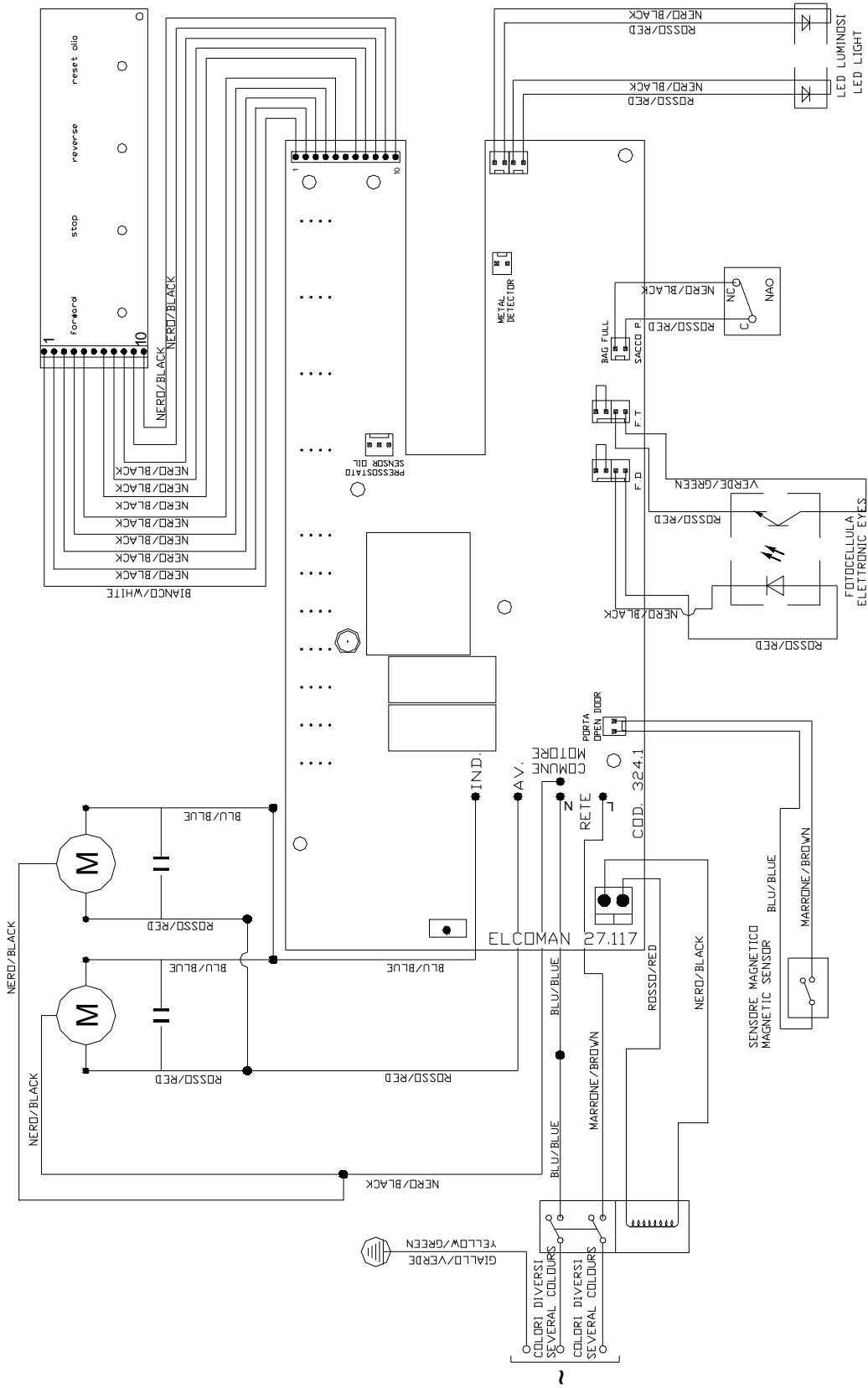


DISEGNO 7 /DRAWING 7



DISEGNO 8 /DRAWING 8

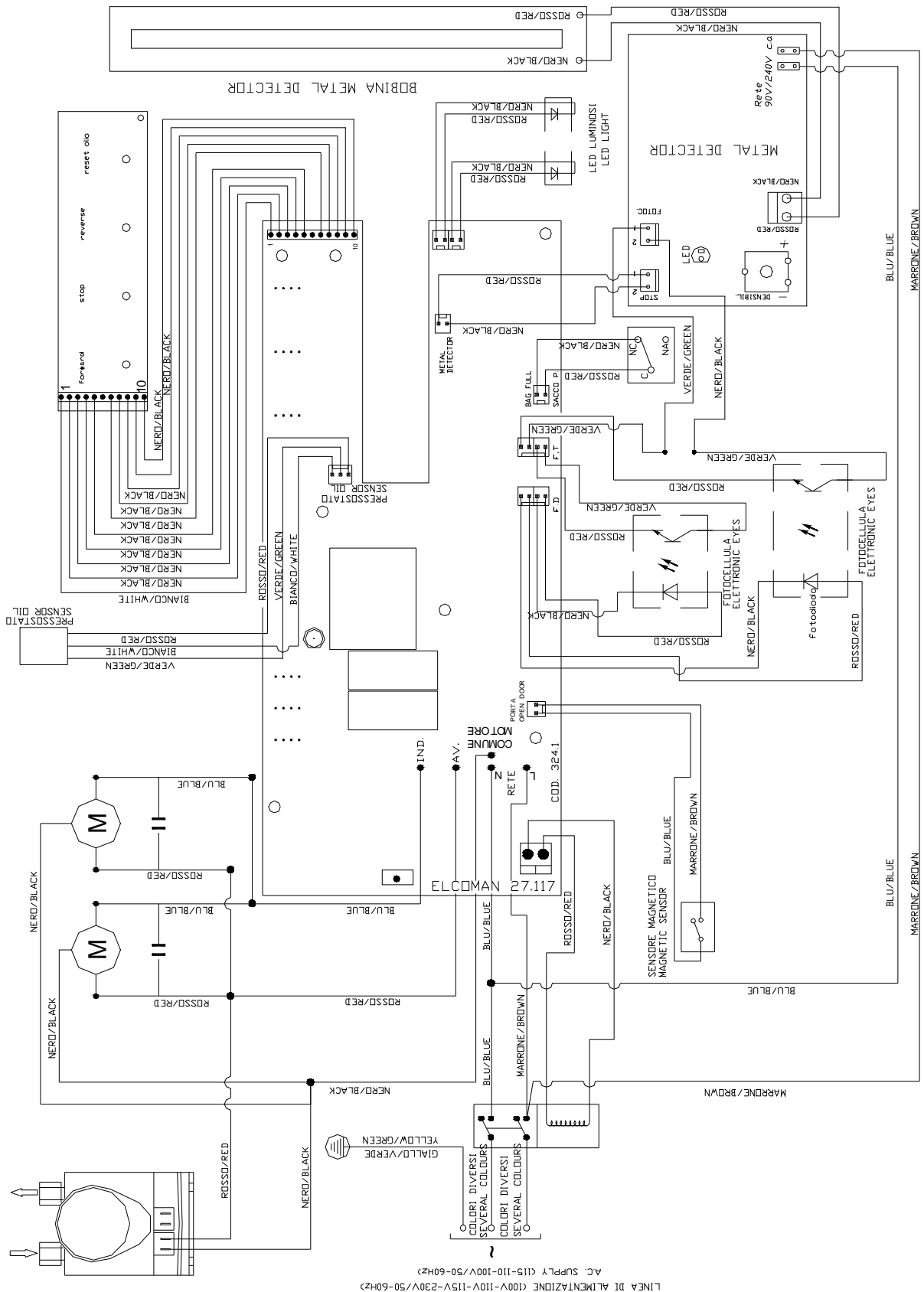
K310TS SS4-SS5-CC2-CC4



LINEA DI ALIMENTAZIONE (100V-110V-115V-230V/50-60HZ)
 A.C. SUPPLY (115-110-100V/50-60HZ)

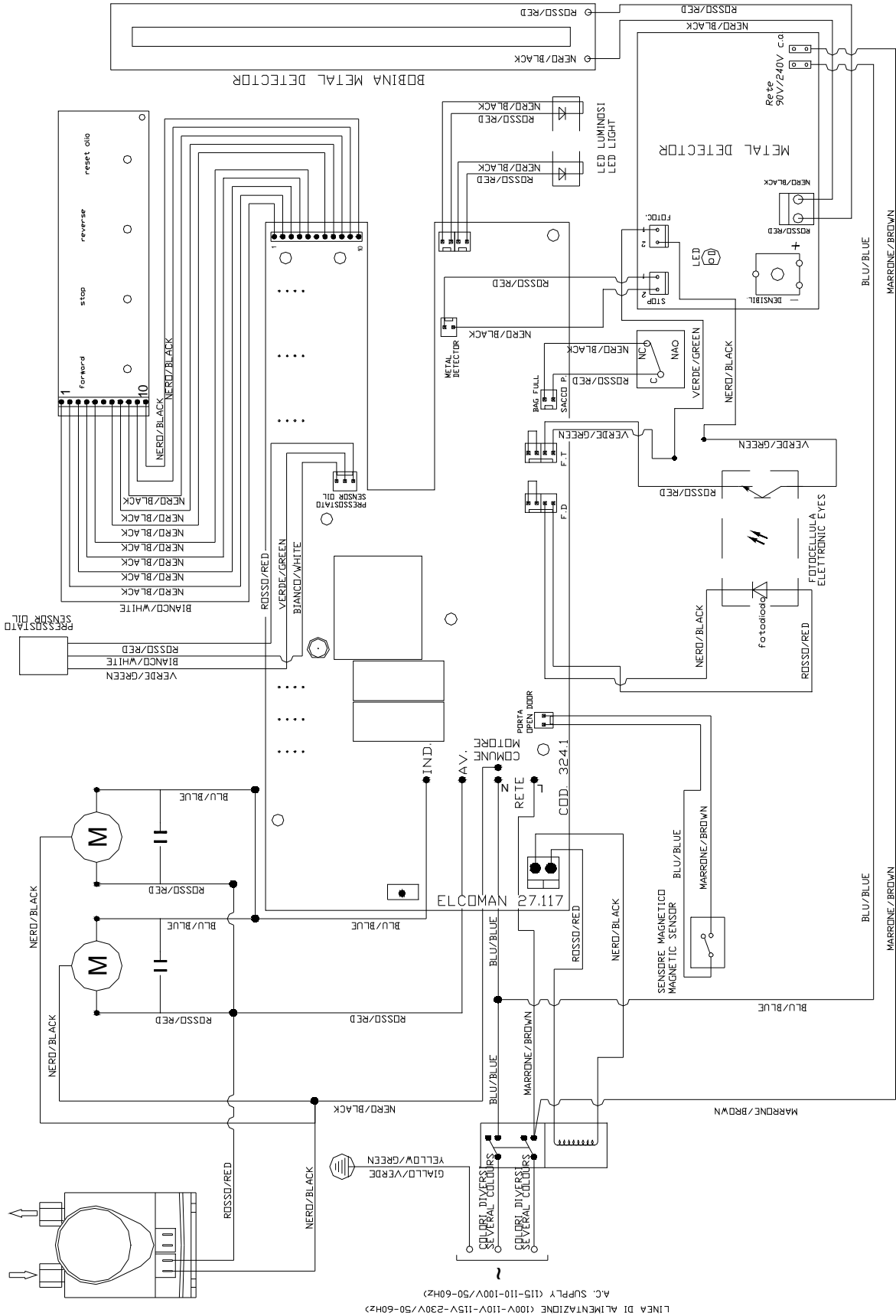
DISEGNO 9 /DRAWING 9

K310TS HS _HS/6



DISEGNO 13 /DRAWING 13

K310TS CC2-CC4 AUTOMATIC OILER+METAL



DISEGNO 14 / DRAWING 14

K310TS HS_HS/6 AUTOMATIC OILER+METAL