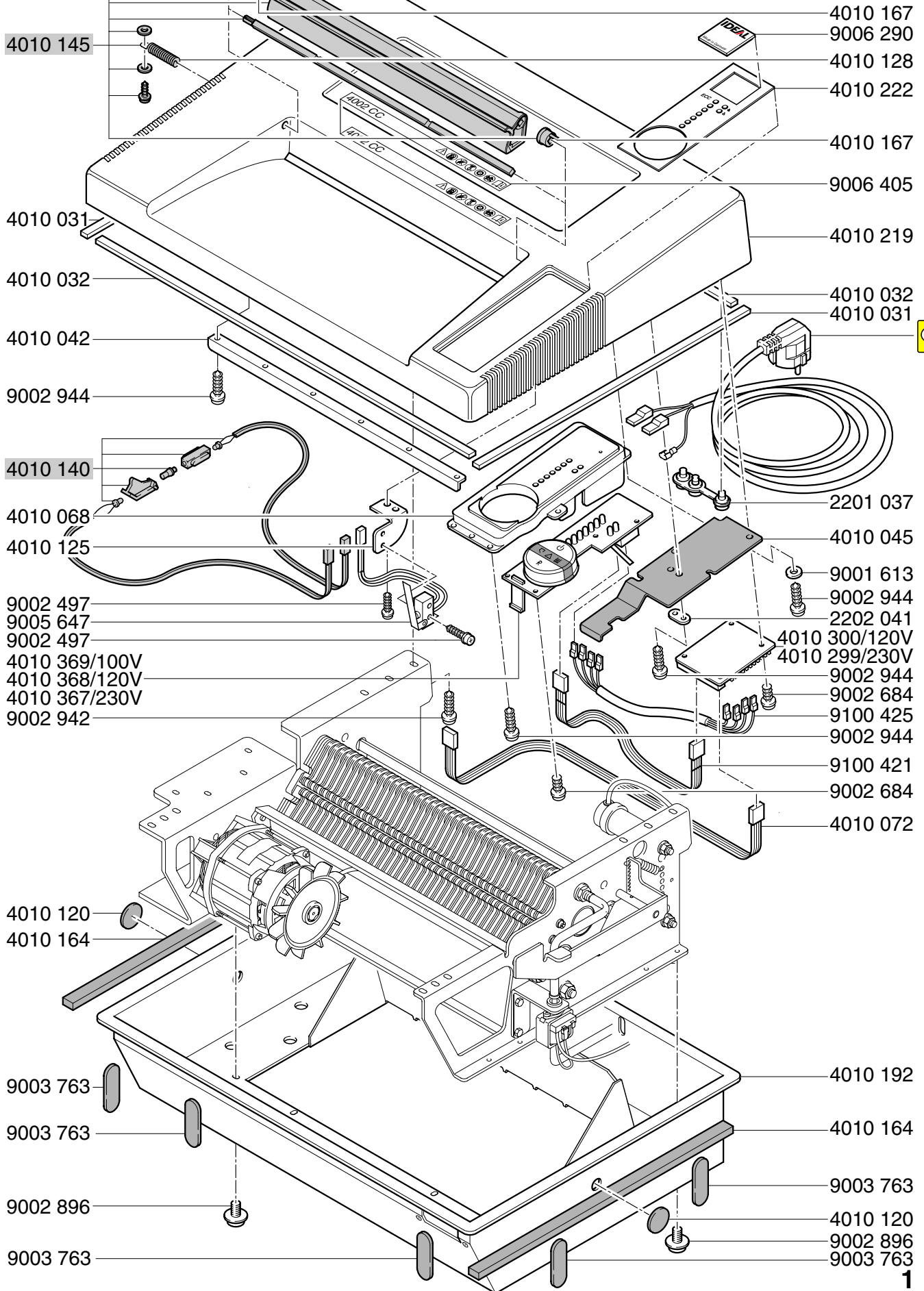
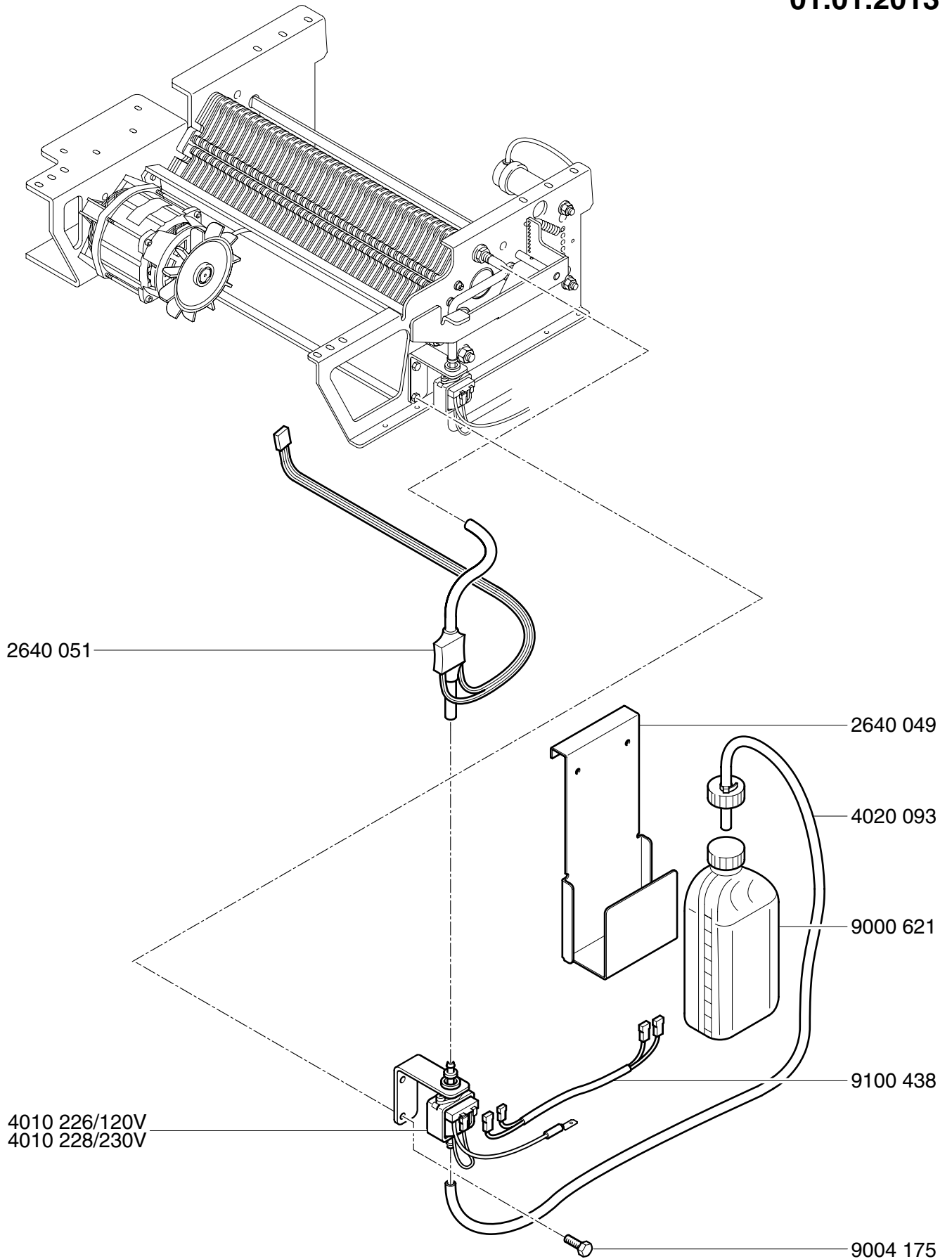


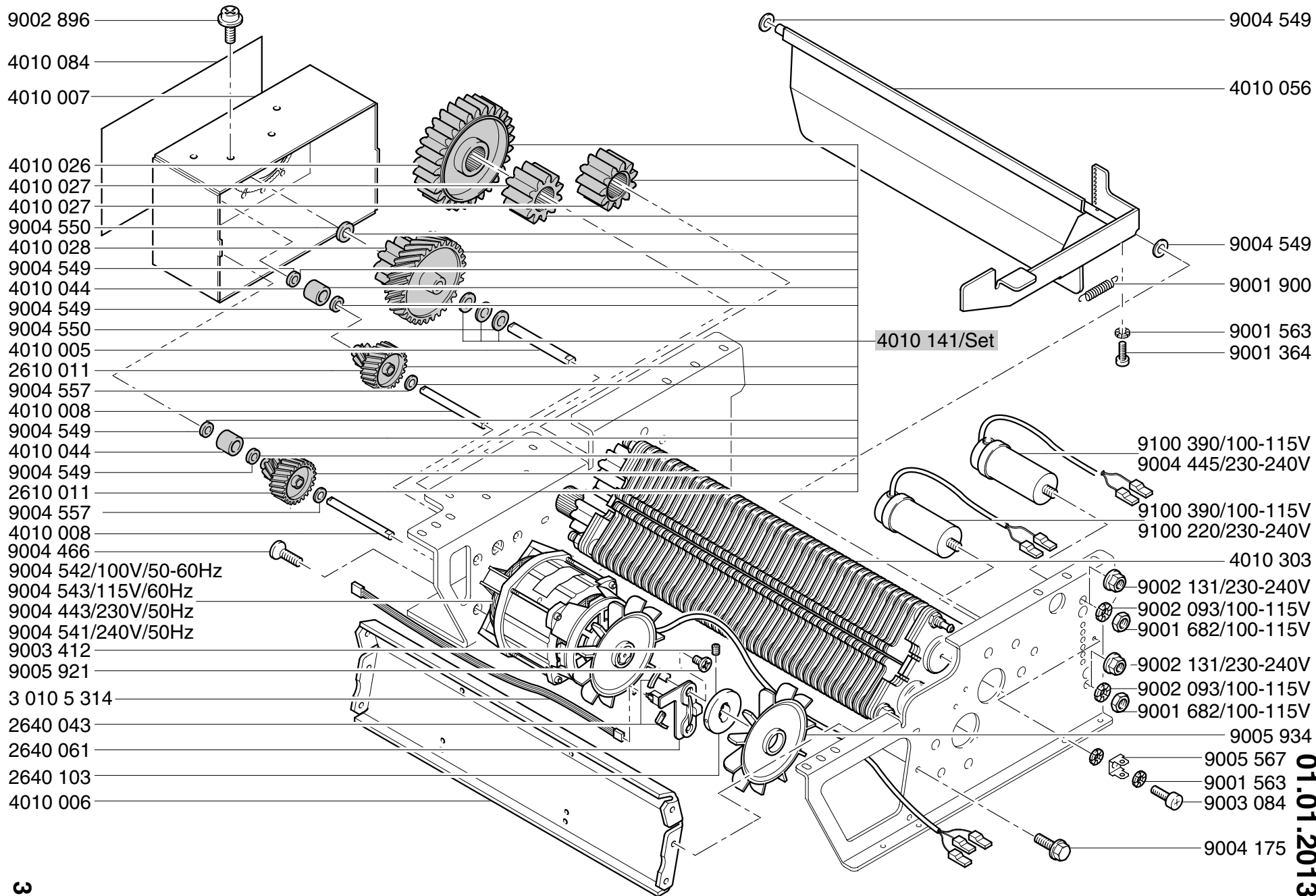
# Mod.4002 Oil A

01.01.2013



CROSS / CUT 4x40mm  
**Mod.4002 Oil A**  
01.01.2013





- 9002 896
- 4010 084
- 4010 007
- 4010 026
- 4010 027
- 4010 027
- 9004 550
- 4010 028
- 9004 549
- 4010 044
- 9004 549
- 9004 550
- 4010 005
- 2610 011
- 9004 557
- 4010 008
- 9004 549
- 4010 044
- 9004 549
- 2610 011
- 9004 557
- 4010 008
- 9004 466
- 9004 542/100V/50-60Hz
- 9004 543/115V/60Hz
- 9004 443/230V/50Hz
- 9004 541/240V/50Hz
- 9003 412
- 9005 921
- 3 010 5 314
- 2640 043
- 2640 061
- 2640 103
- 4010 006

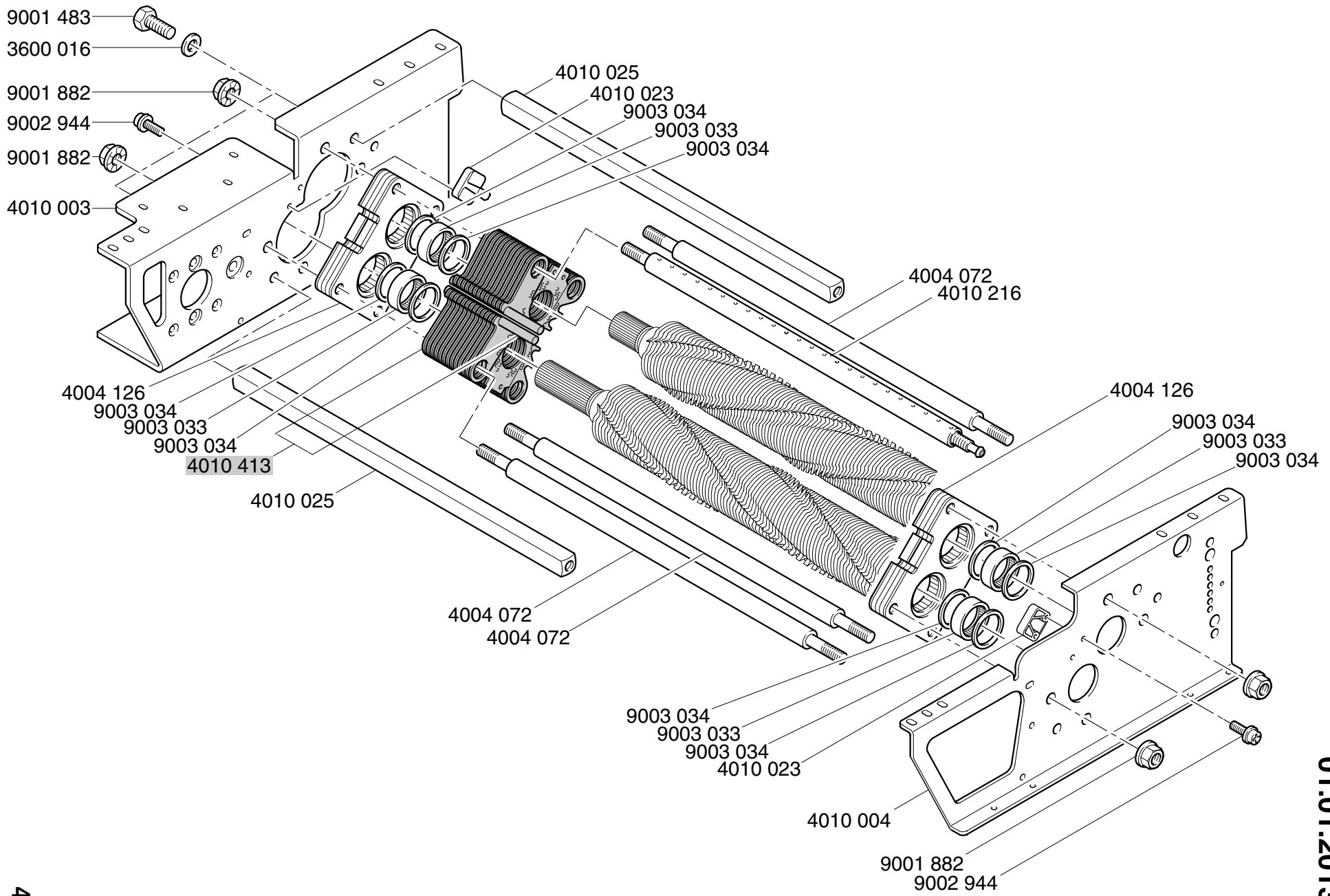
4010 141/Set

- 9004 549
- 4010 056
- 9004 549
- 9001 900
- 9001 563
- 9001 364
- 9100 390/100-115V
- 9004 445/230-240V
- 9100 390/100-115V
- 9100 220/230-240V
- 4010 303
- 9002 131/230-240V
- 9002 093/100-115V
- 9001 682/100-115V
- 9002 131/230-240V
- 9002 093/100-115V
- 9001 682/100-115V
- 9005 934
- 9005 567
- 9001 563
- 9003 084
- 9004 175

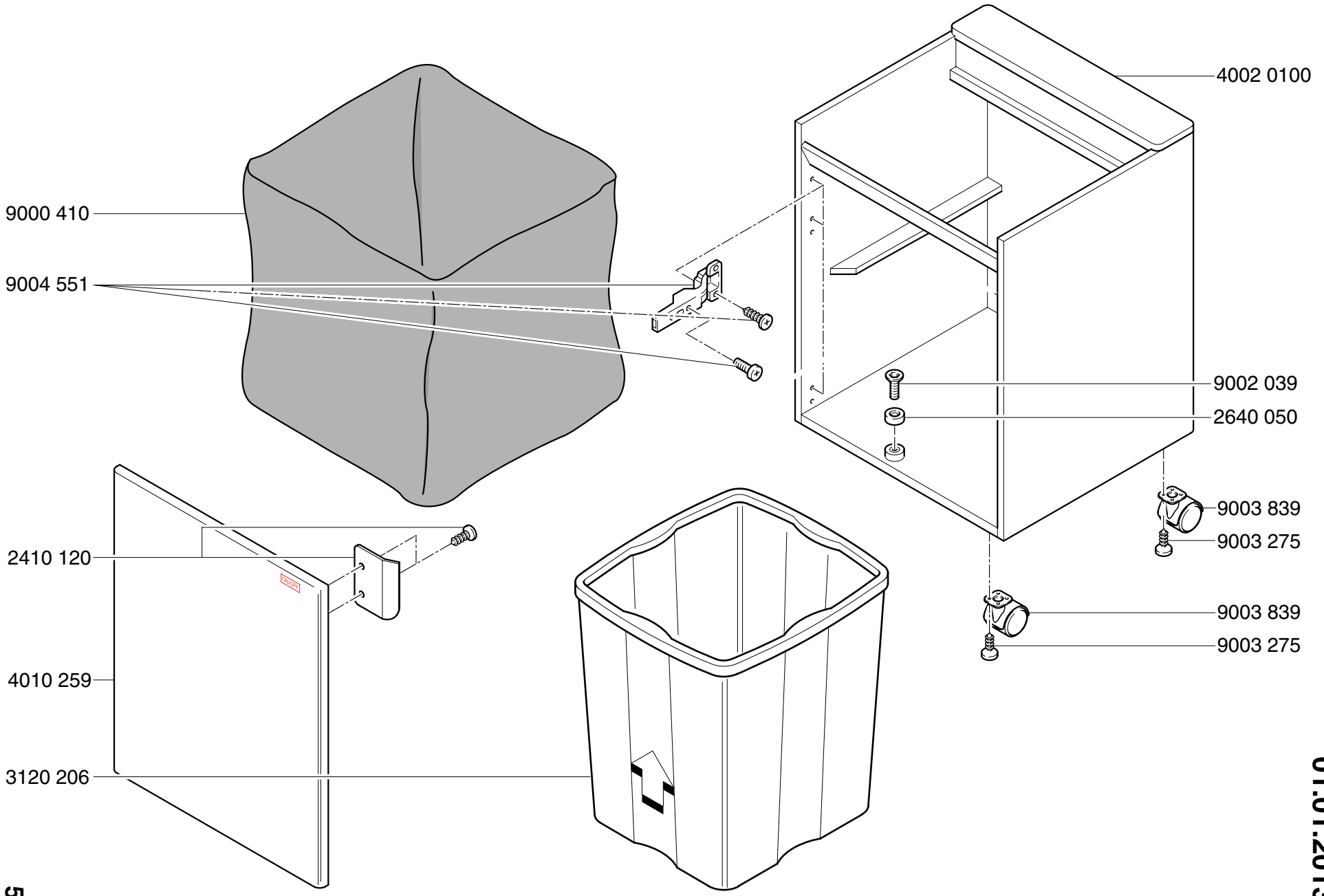
# Mod. 4002 Oil A

CROSS / CUT 4x40mm

01.01.2013



**Mod. 4002**  
**CROSS / CUT**  
**Oil A**  
 4x40mm  
 01.01.2013

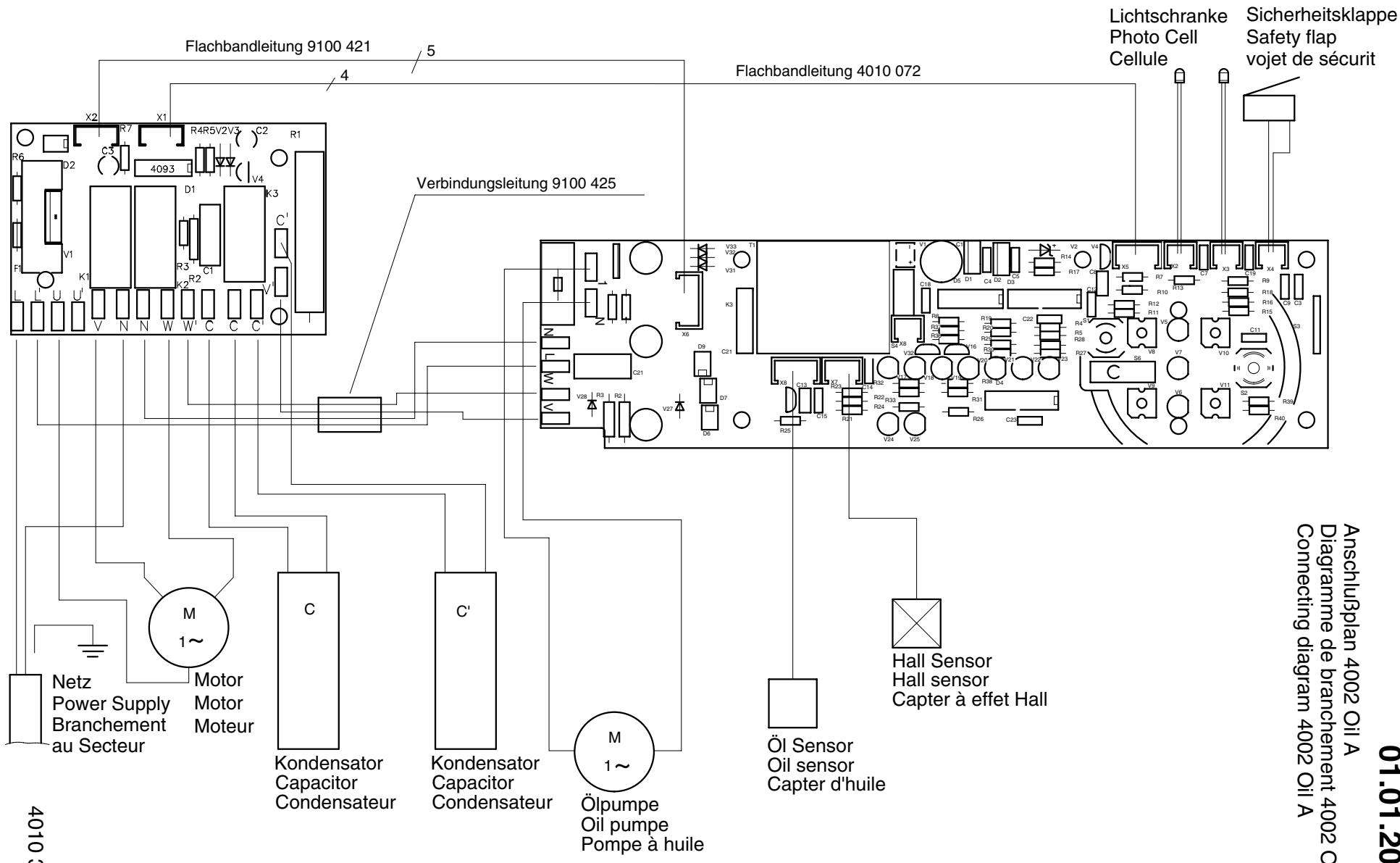


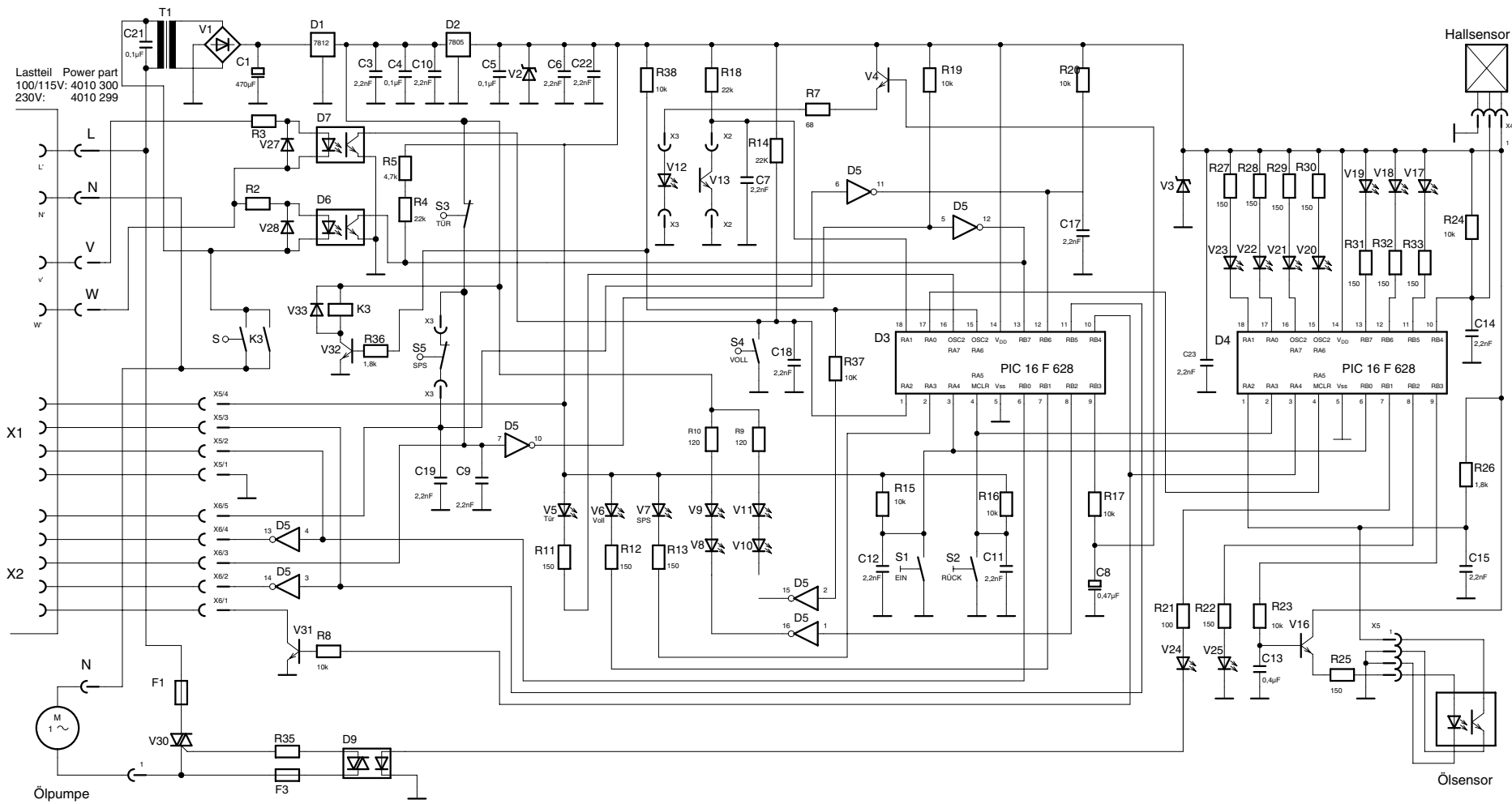
**Mod. 4002**  
**CROSS / CUT**  
**Oil A**  
 4x40mm  
 01.01.2013

# CROSS / CUT Mod. 4002 Oil A 4x40mm

01.01.2013

Anschlussplan 4002 Oil A  
 Diagramme de branchement 4002 Oil A  
 Connecting diagram 4002 Oil A





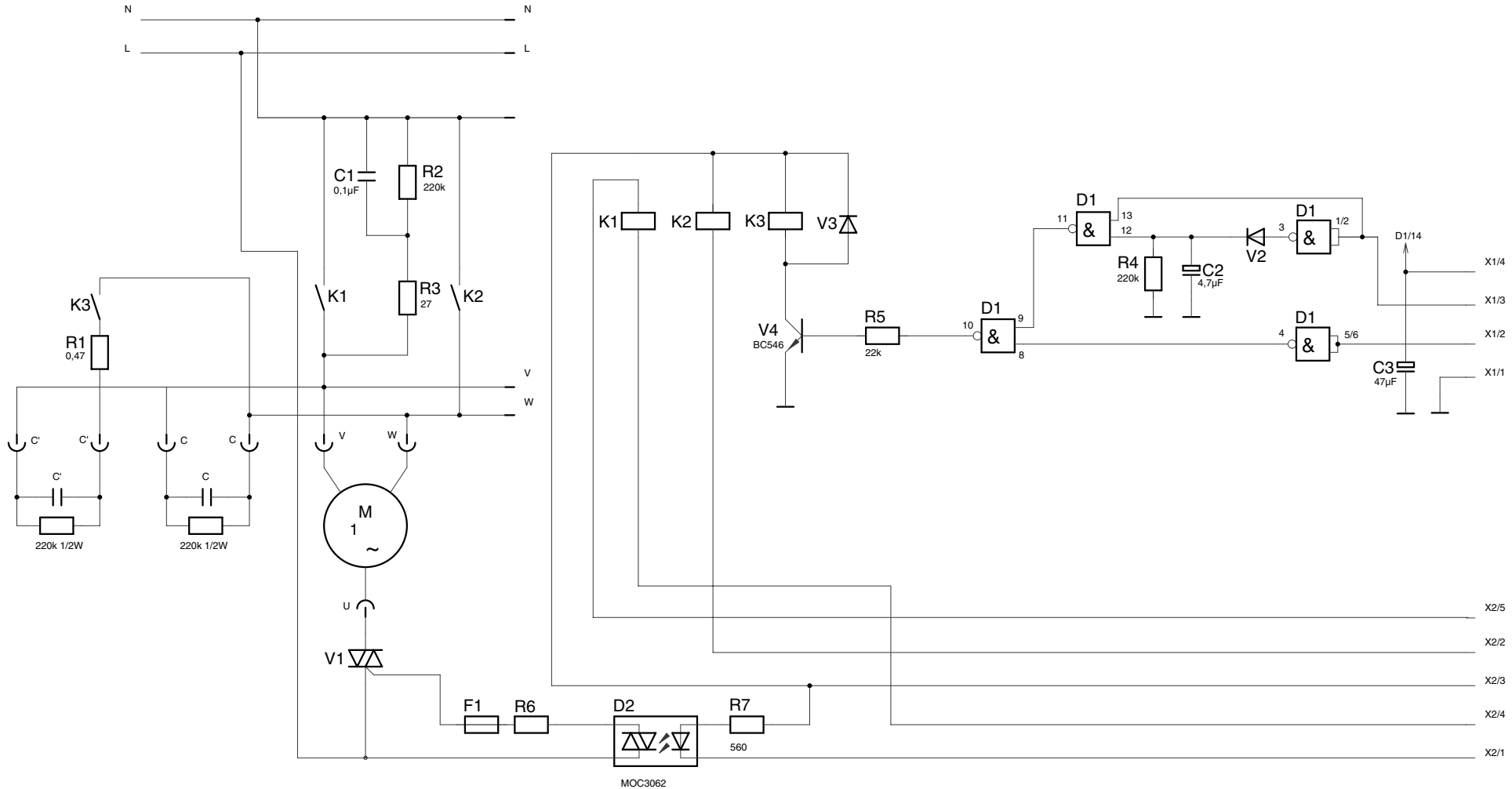
# Mod. 4002 Oil A

CROSS / CUT 4x40mm

01.01.2013

7 4010 844

Stromlaufplan 4002 Oil A  
 schema de  
 circuit ectrique 4002 Oil A  
 wiring diagram 4002 Oil A



**Mod. 4002 Oil A**  
 CROSS /CUT  
 4x40mm  
 01.01.2013

Stromlaufplan 4002 Oil A  
 schema de  
 circuit ectrique 4002 Oil A  
 wiring diagram 4002 Oil A

4010 301